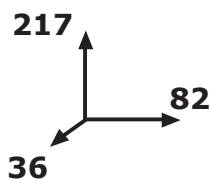
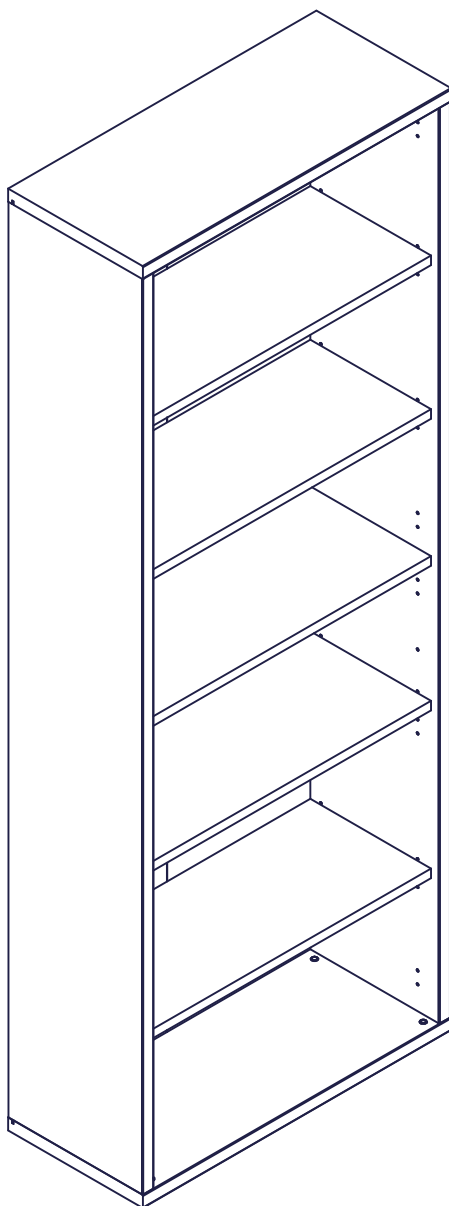
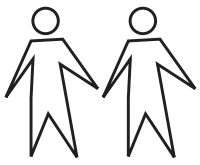


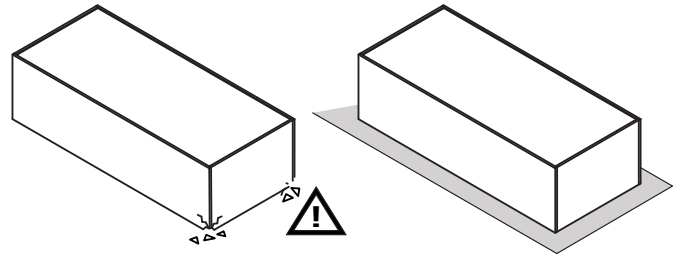
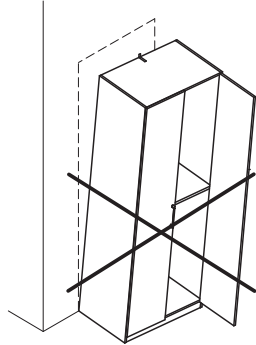
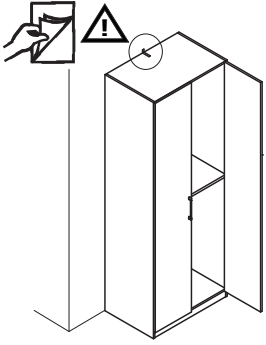
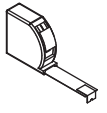
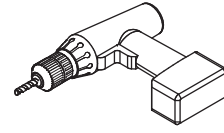
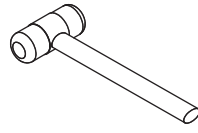
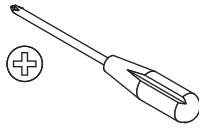
LB4801K51104



QF3543



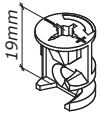
1h



BU2926



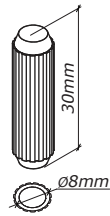
T7
x4



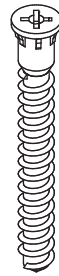
T97
x4



T28
x8



H1
x12



V57
x4



H2
x20



V5
x20



V81
x2



H129
x2



R40
x16



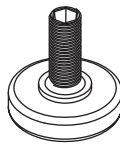
G144
x22



G143
x4



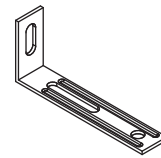
G142
x4



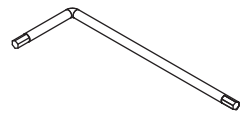
P25
x4



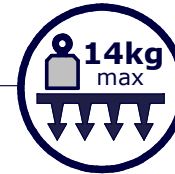
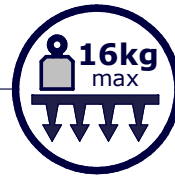
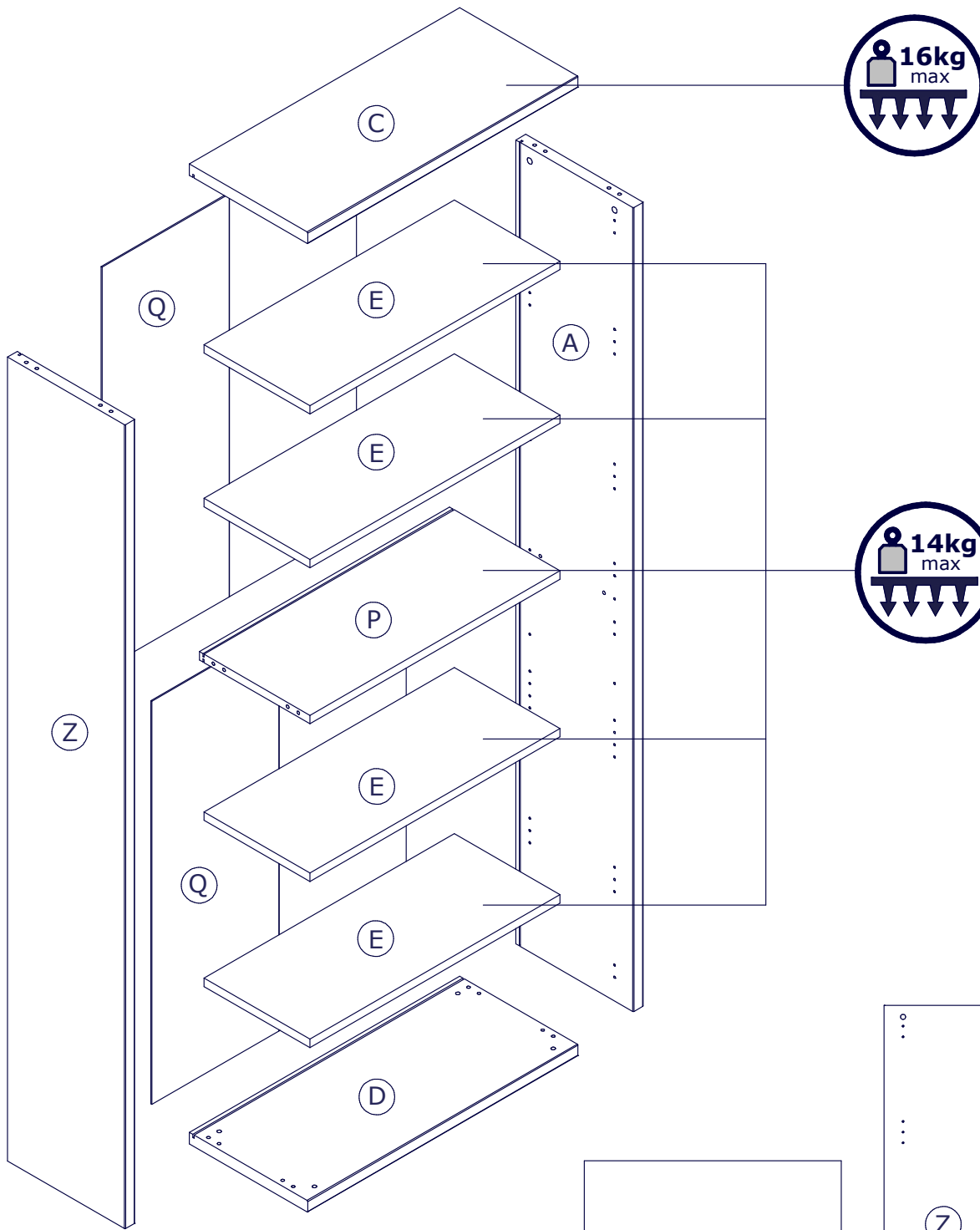
H118
x4



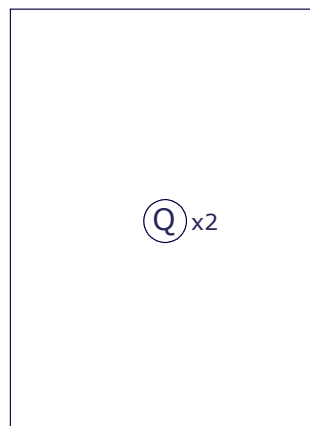
H185
x1



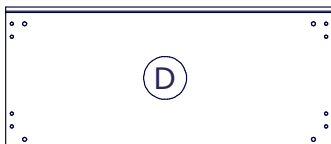
H138
x1



● **PI5995**
755x333x22mm



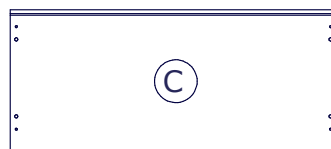
● **SH2538**
1053x768x3mm



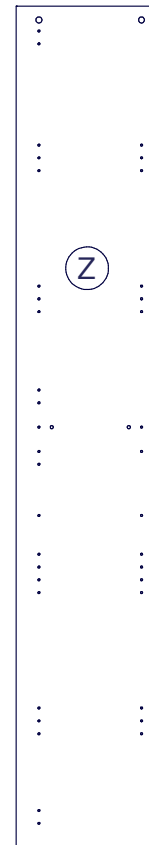
● **BA1705**
816x357x30mm



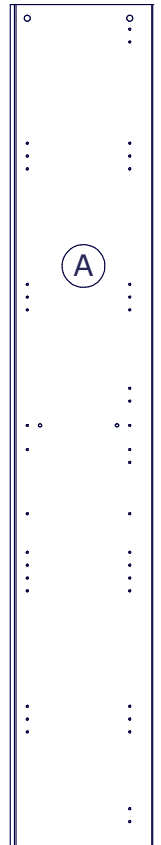
● **PI5994**
755x319x22mm



● **CA2781**
816x357x30mm

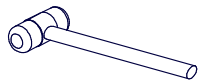


● **F15704**
2100x355x30mm

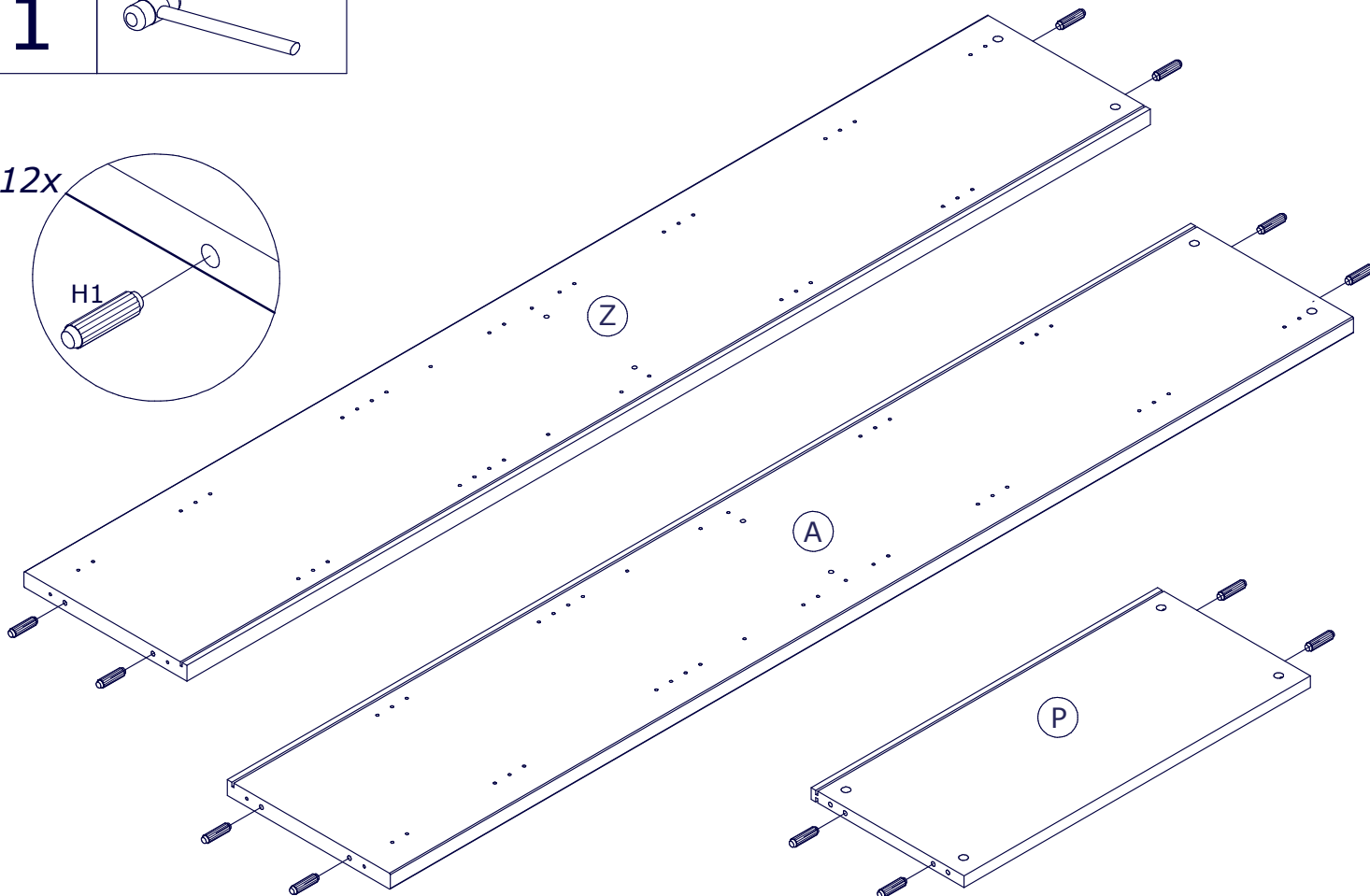
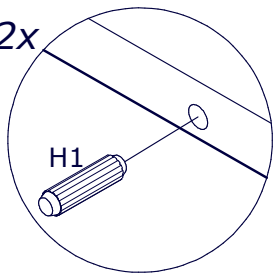


● **F15703**
2100x355x30mm

1



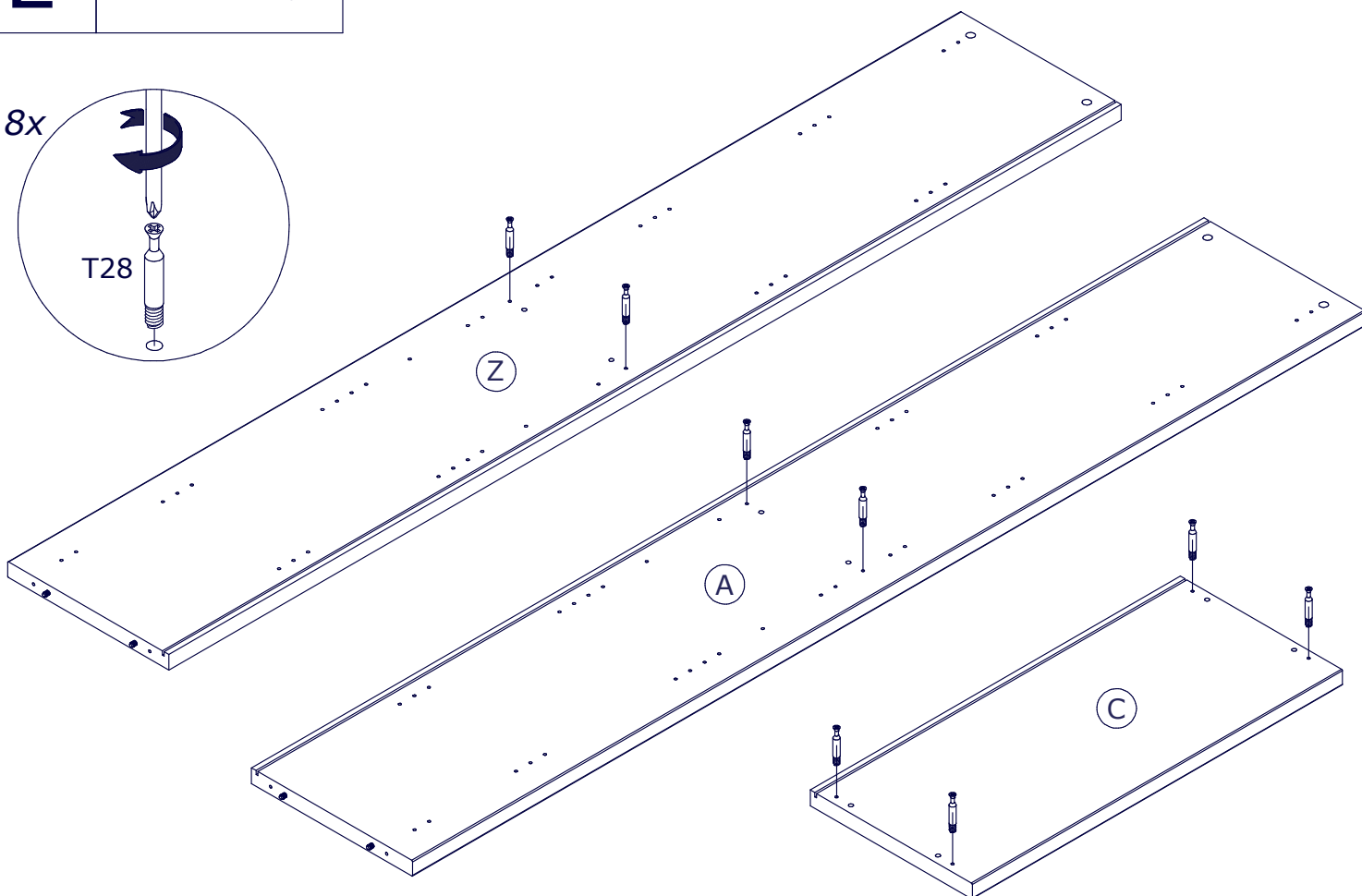
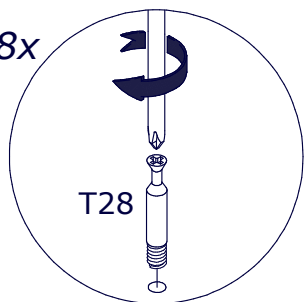
12x



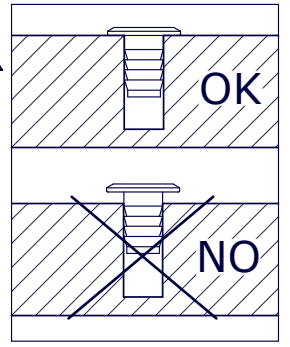
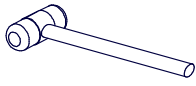
2



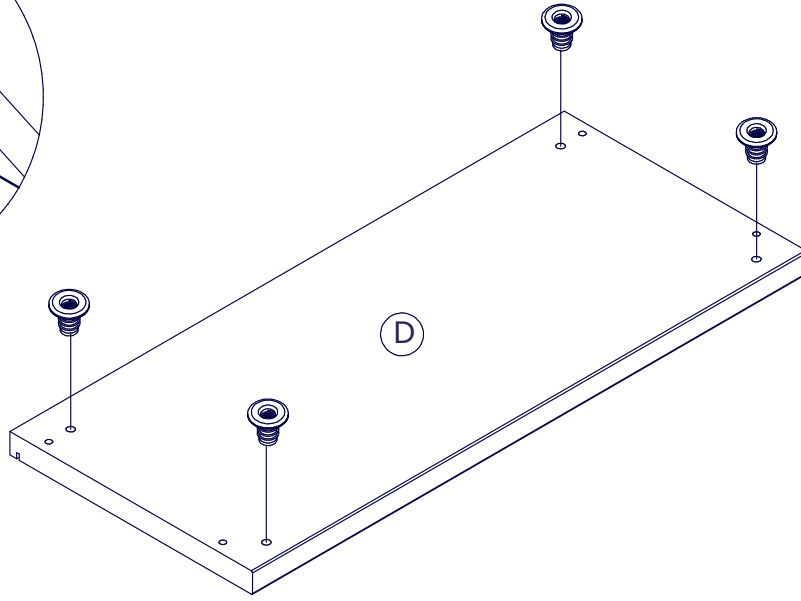
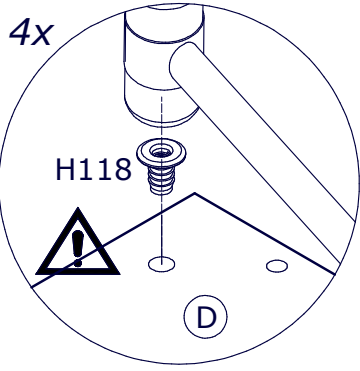
8x



3



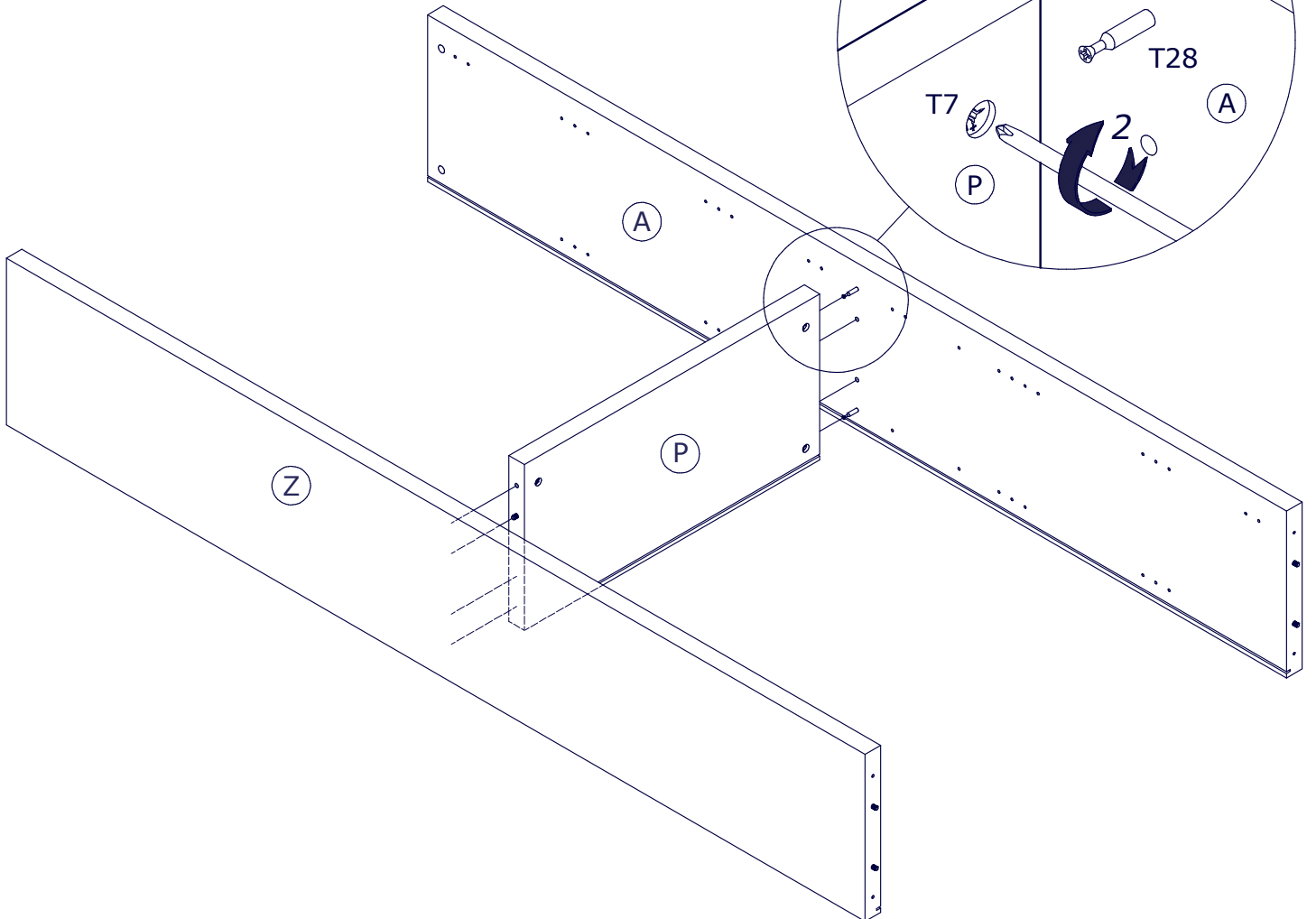
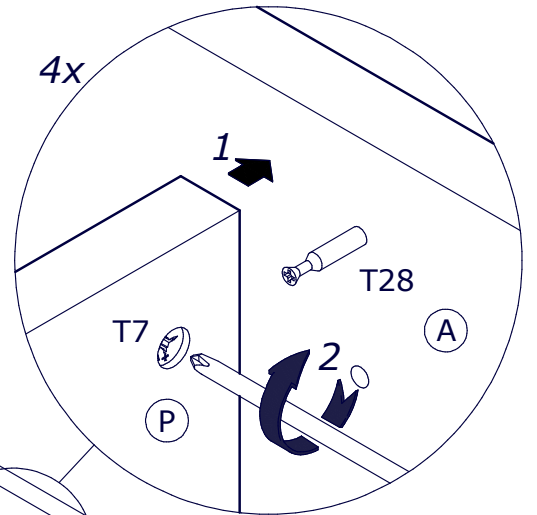
4x



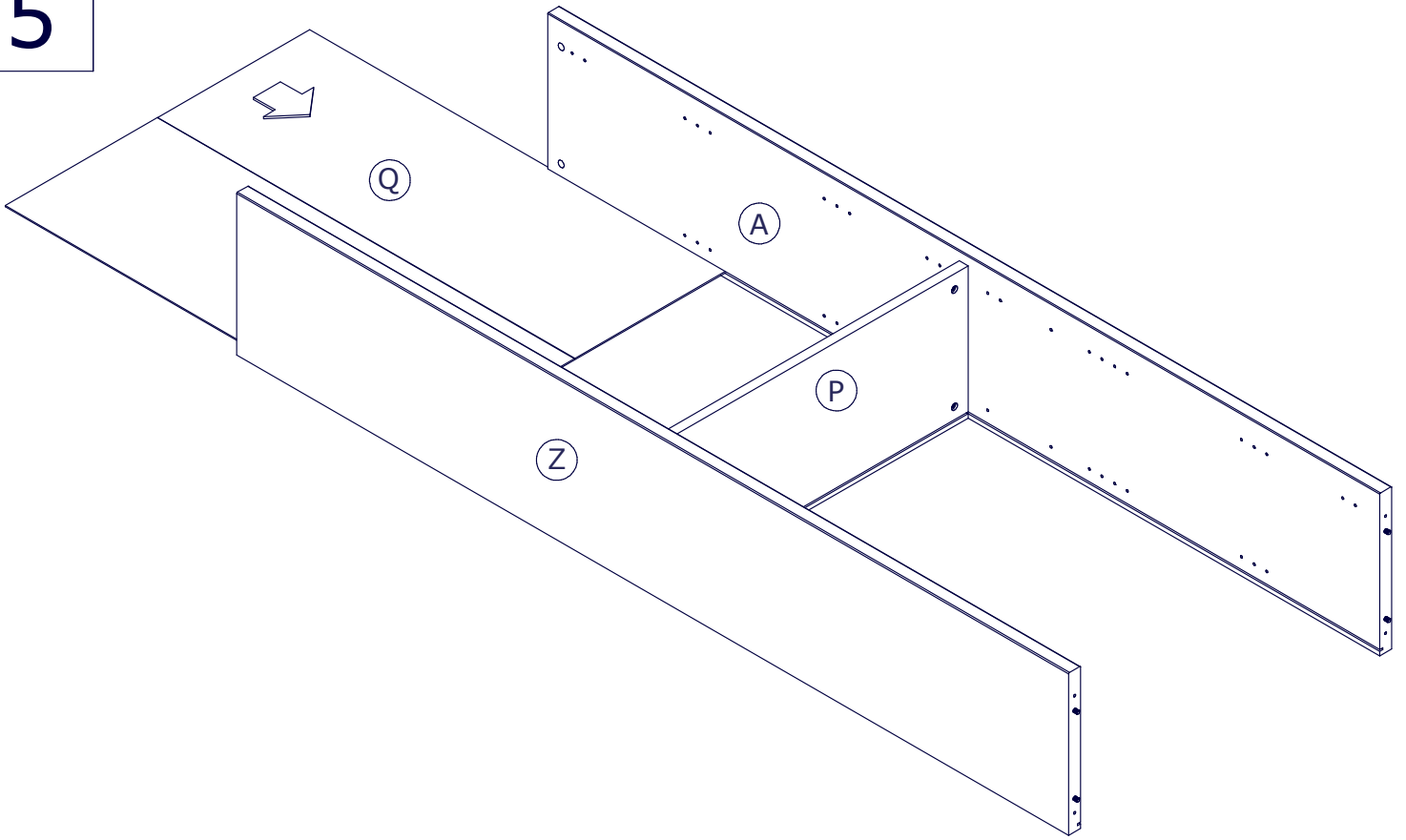
4



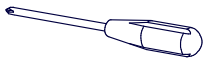
4x



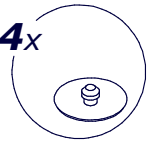
5



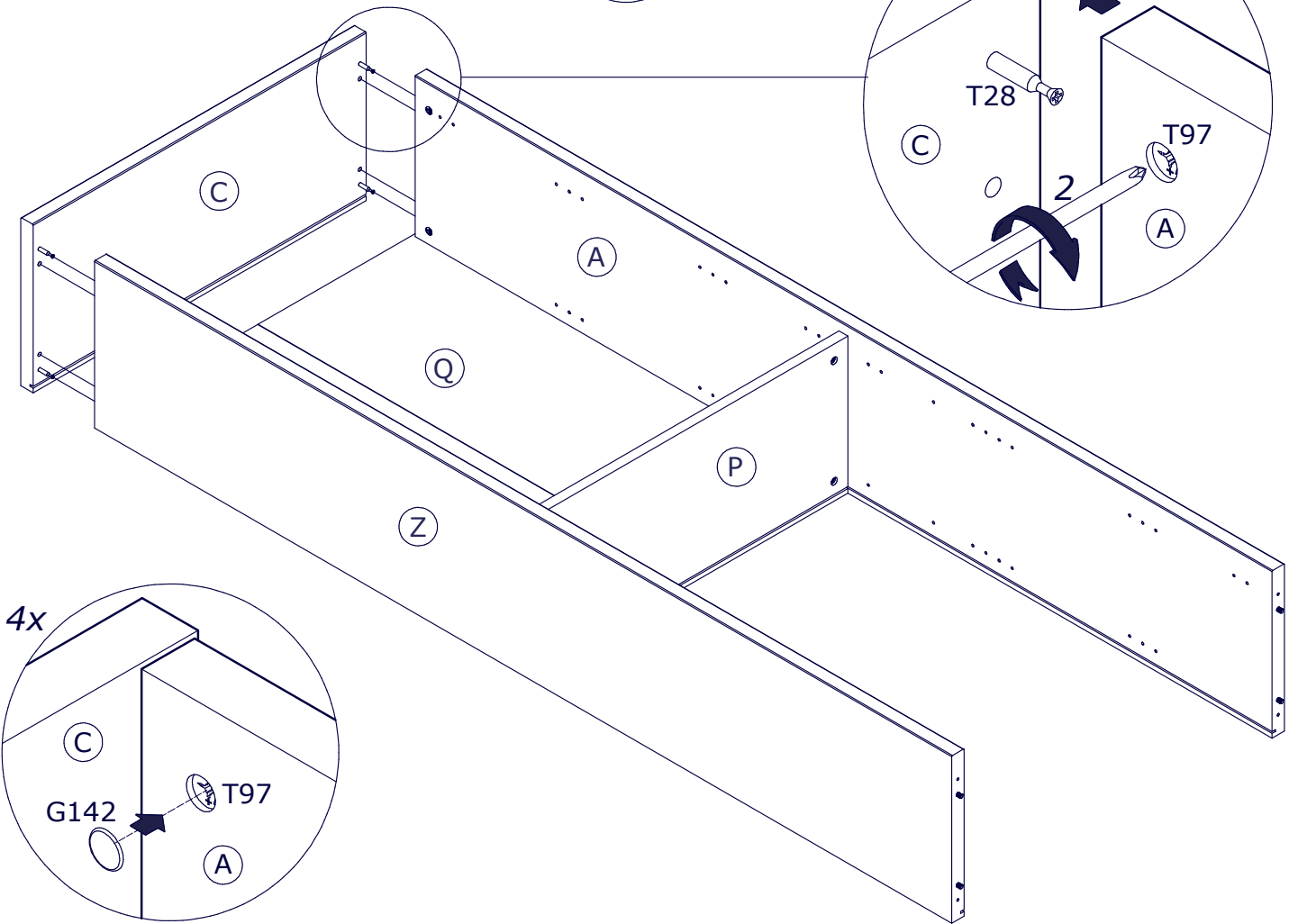
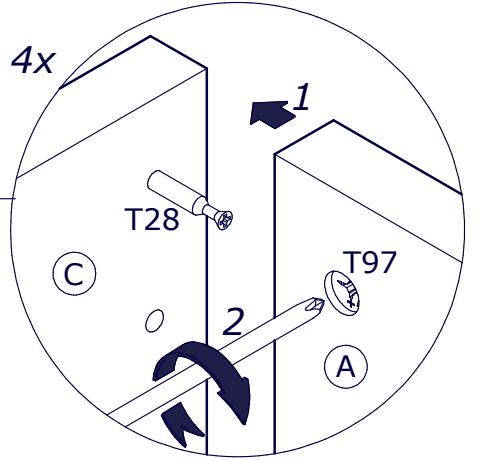
6



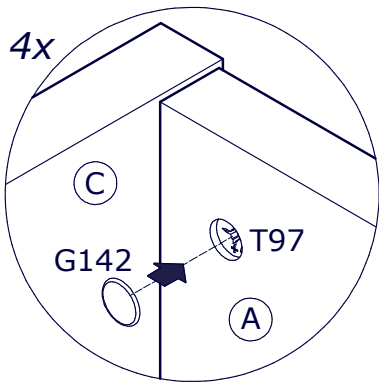
4x



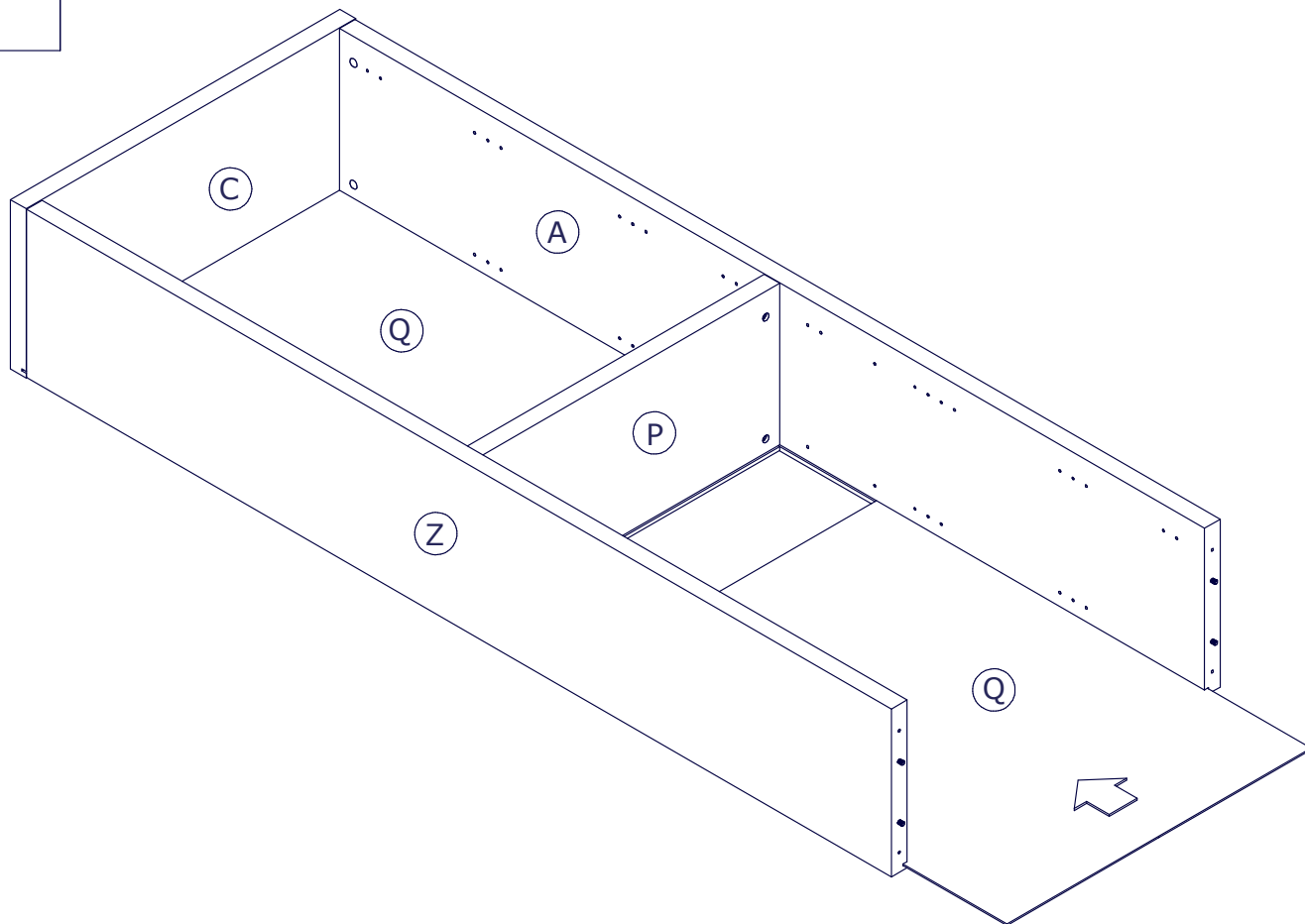
4x



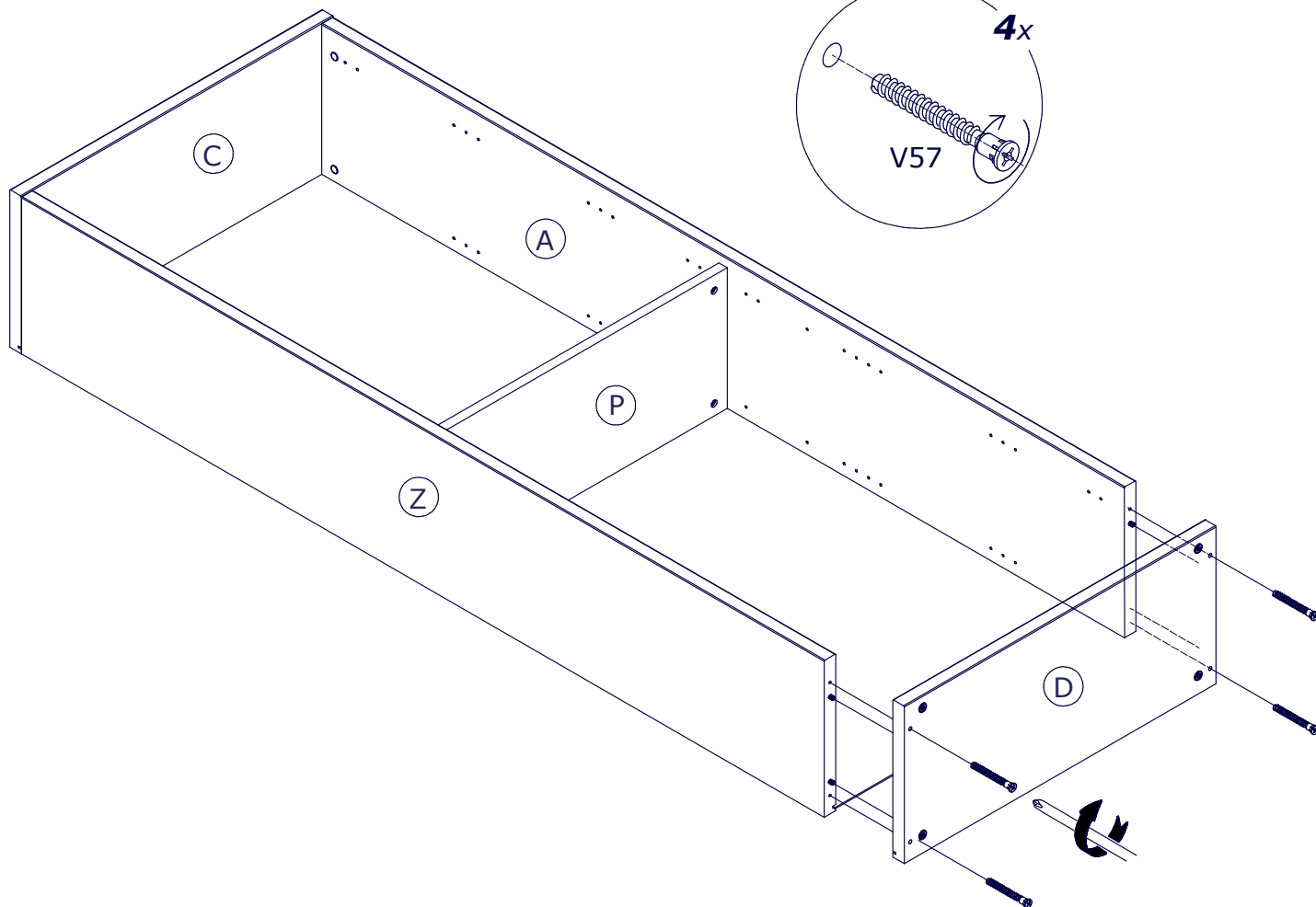
4x



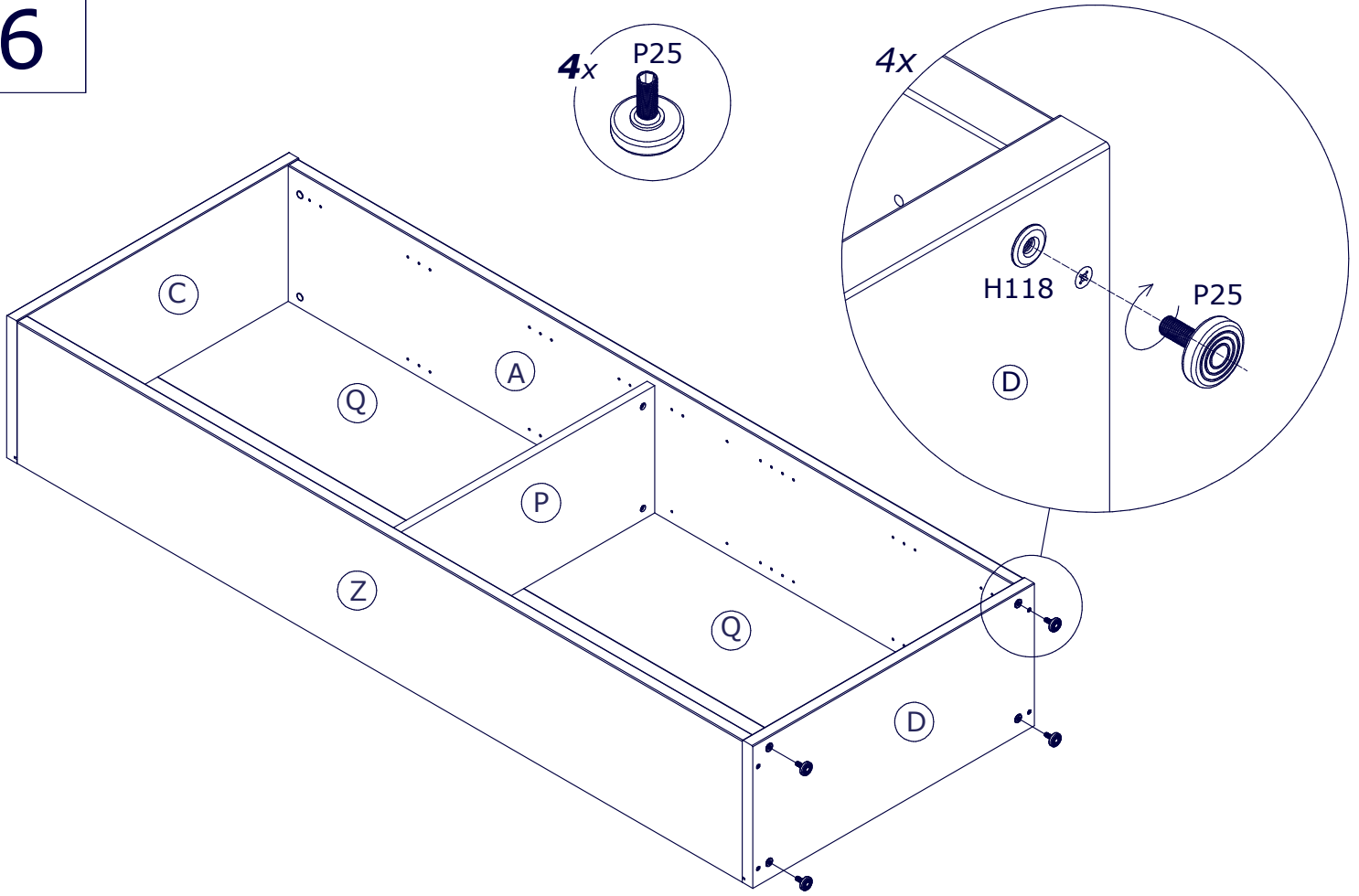
7



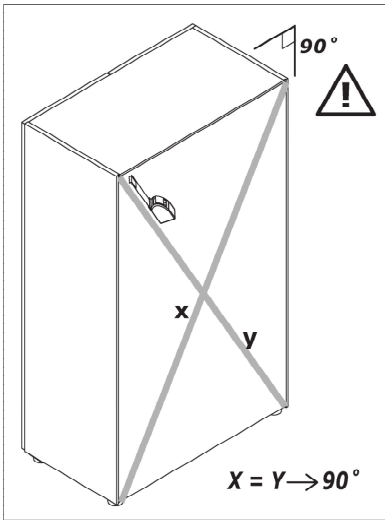
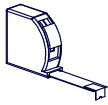
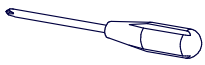
8



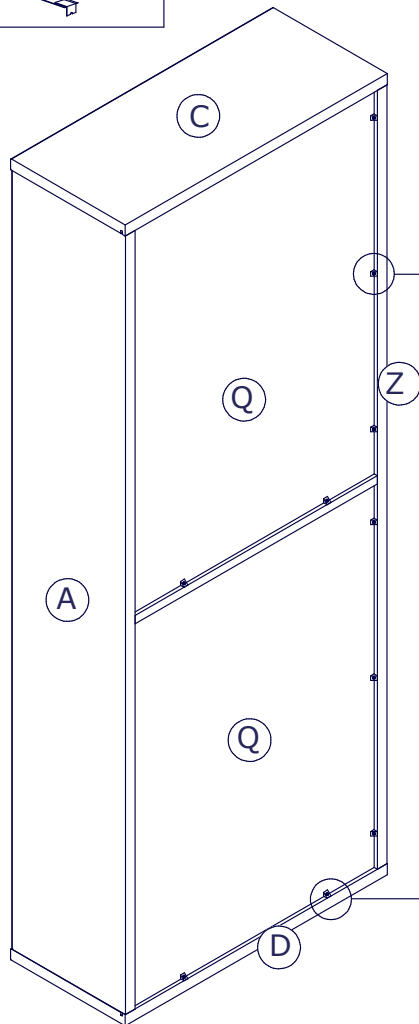
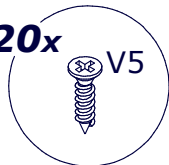
6



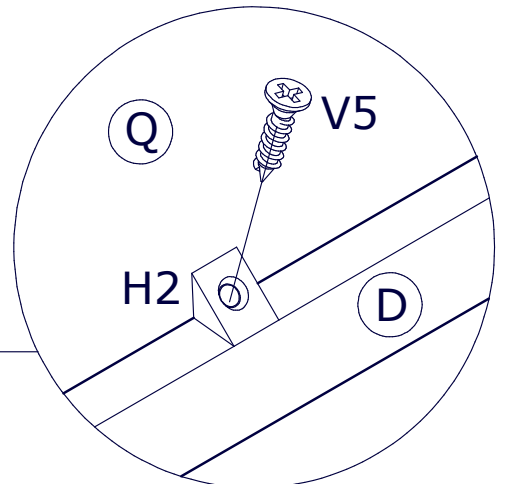
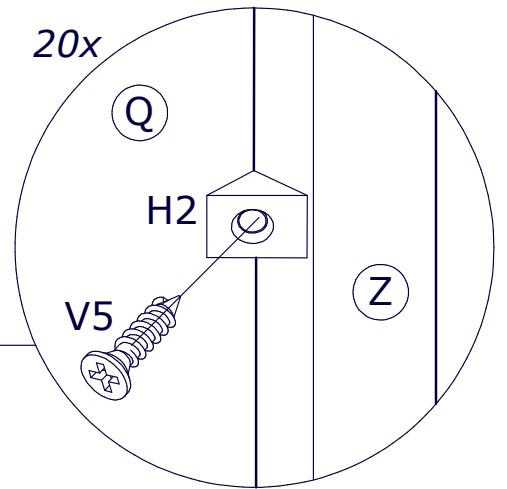
7



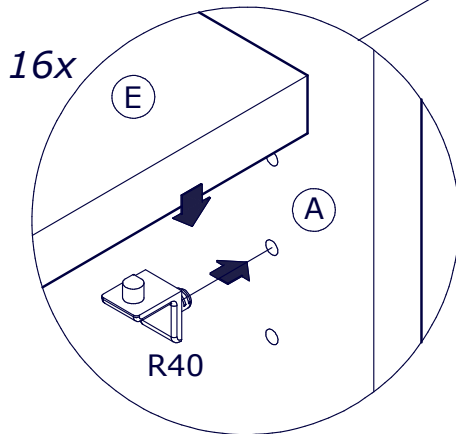
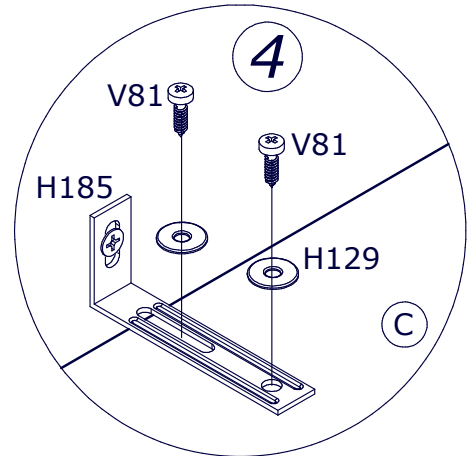
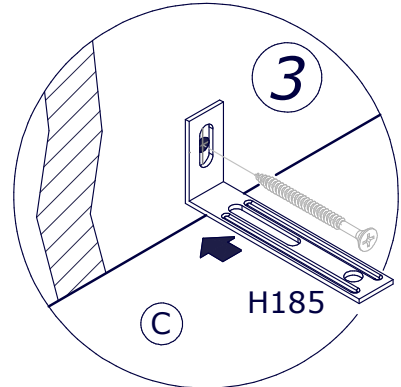
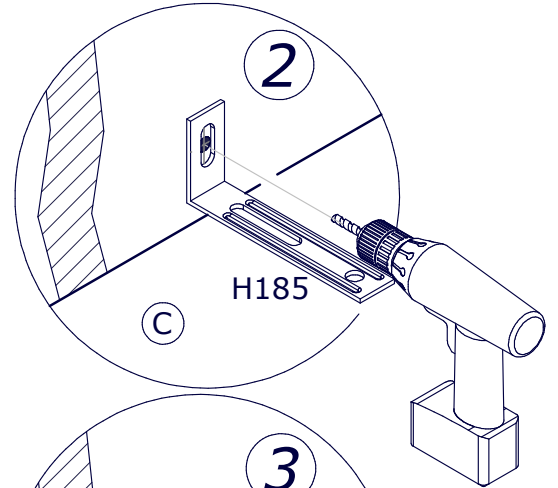
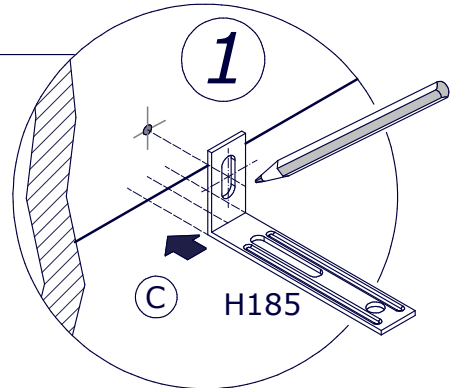
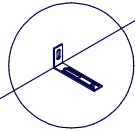
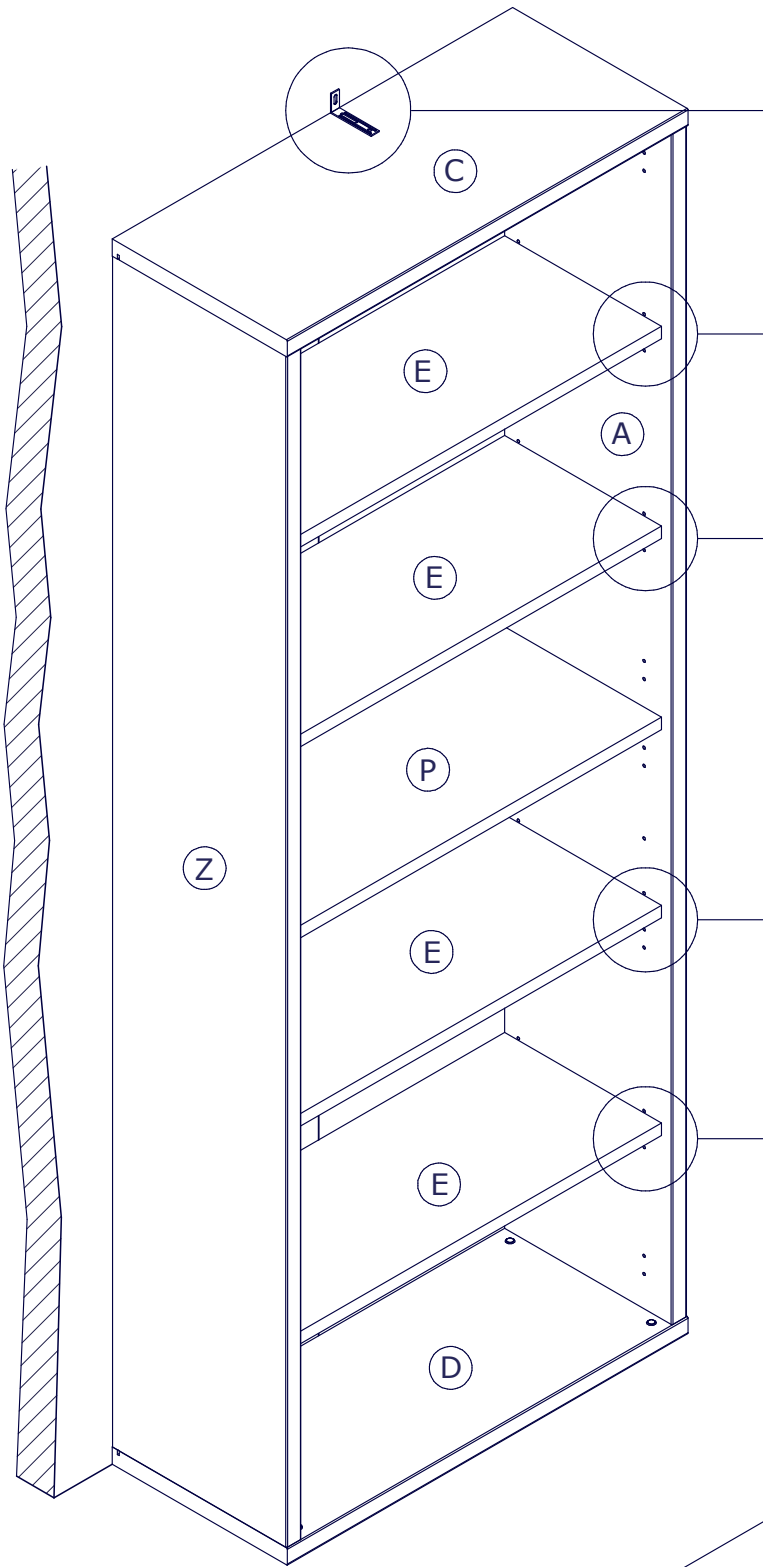
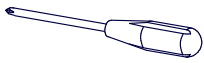
20x V5



20x

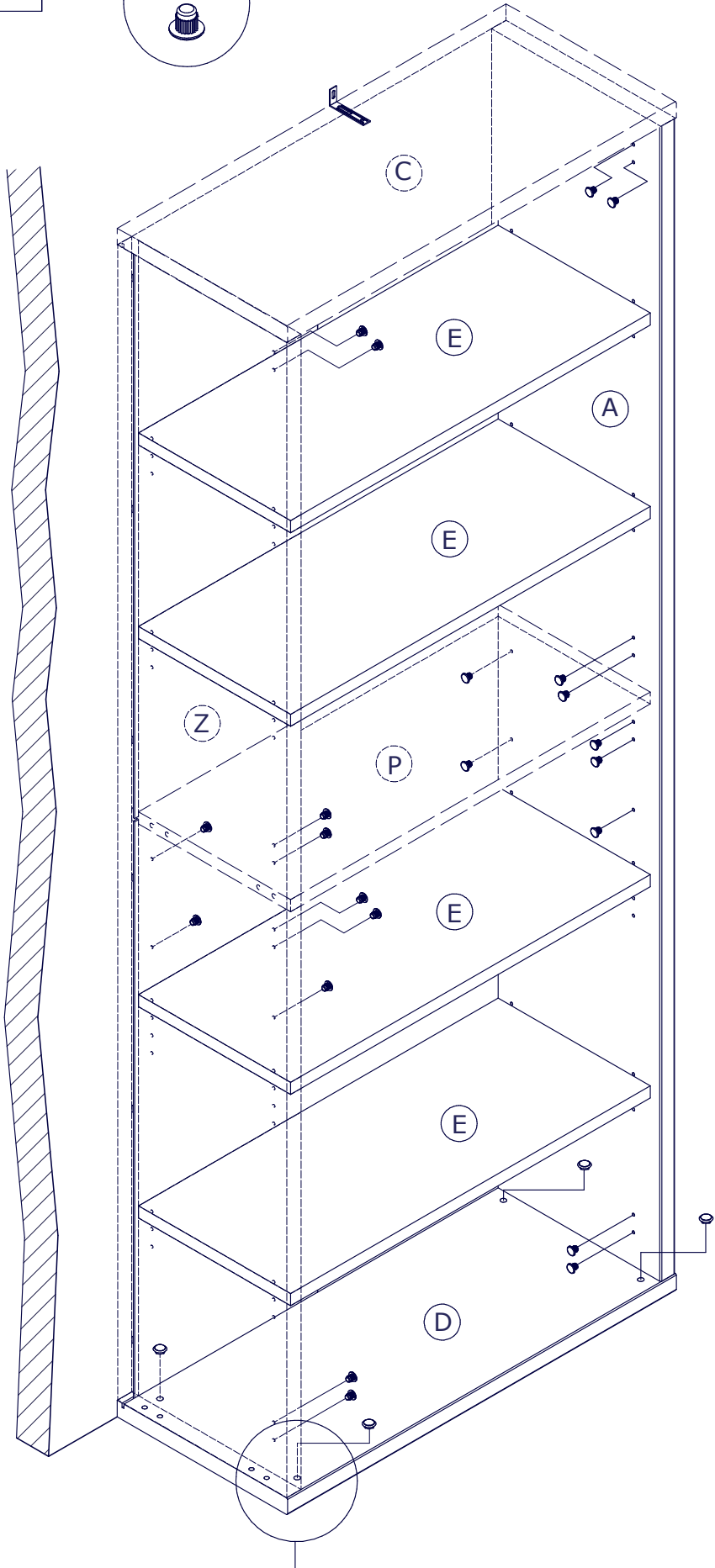


8



9

22x G144



4x G143

