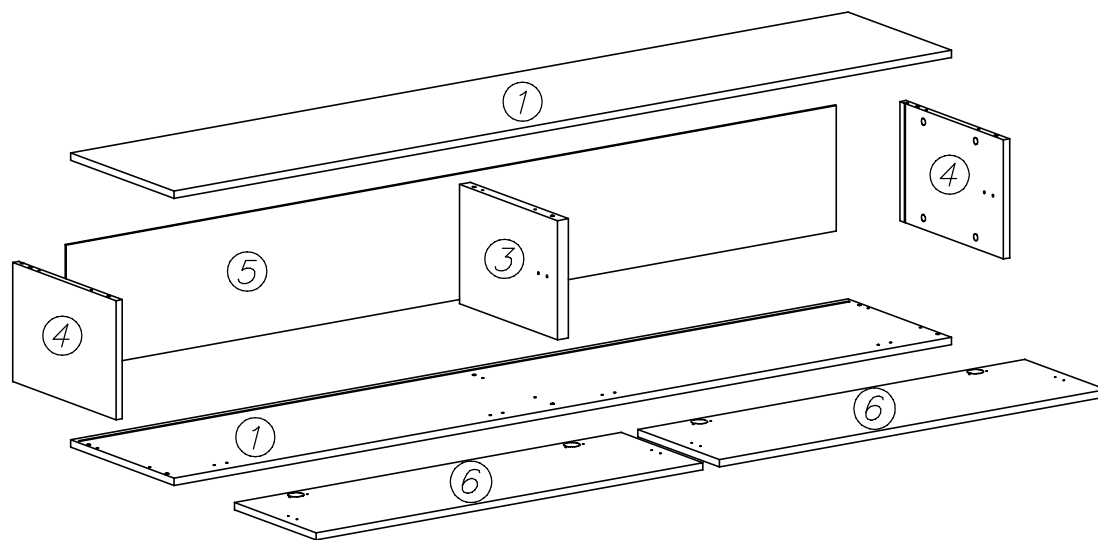
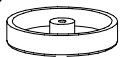

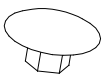
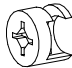


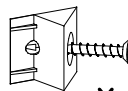
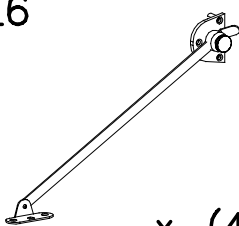
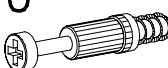

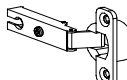
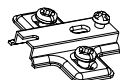
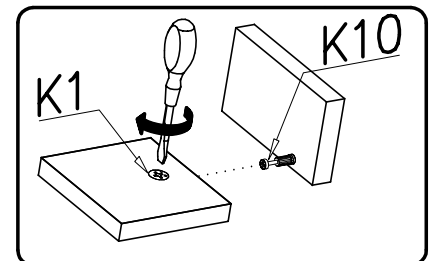
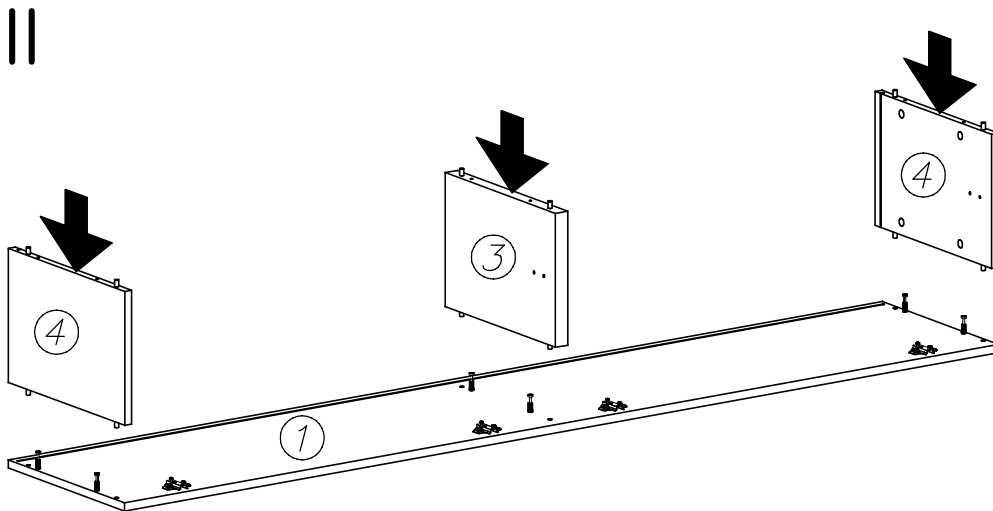
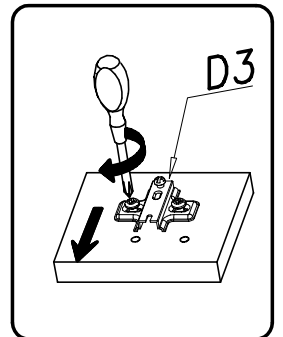
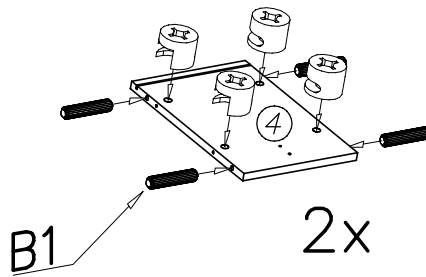
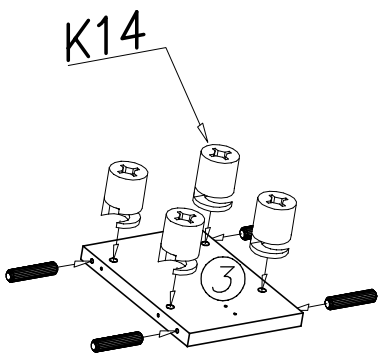
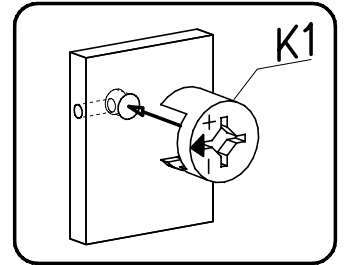
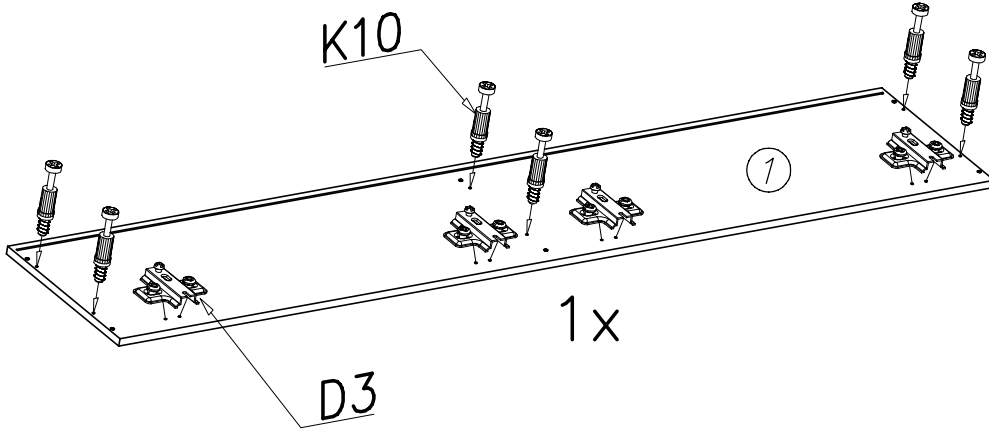
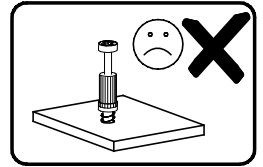
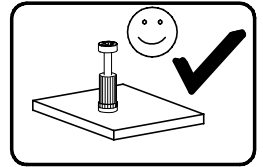
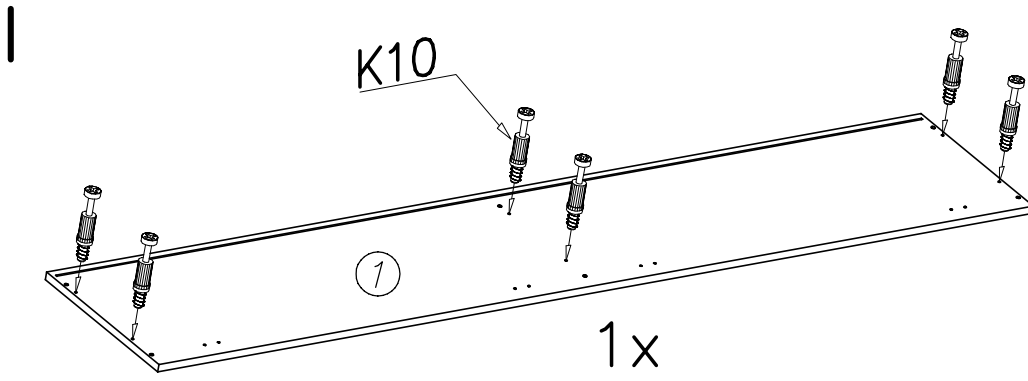
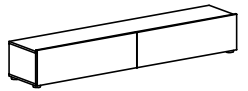
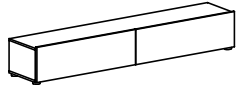


nr	L[mm]	B[mm]	T[mm]	Menge	Colli
1	2000	380	16	2	2/2
3	260	360	28	1	2/2
4	260	360	16	2	2/2
5	1979	272	3	1	2/2
6	995	300	16	2	2/2

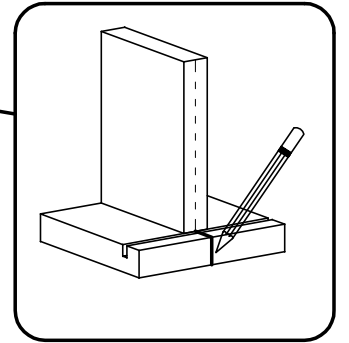
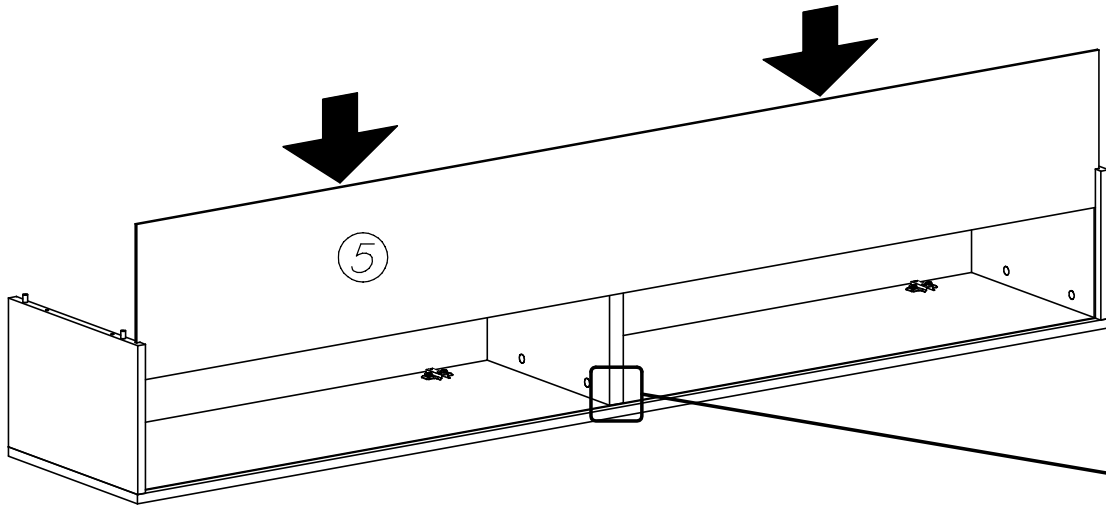


P20  x...(5)	G12  4x25 x...(5)	I7  ø18 x...(12)		
K1  ø15x12 x...(8)	K14  ø15x19 x...(4)	G34  3,5x16 x...(27)	I1  x...(10)	L6  x...(4)
K10  x...(12)	B1  ø8x35 x...(12)	C3  Z35PR x...(4)	D3  PZ35PR x...(4)	

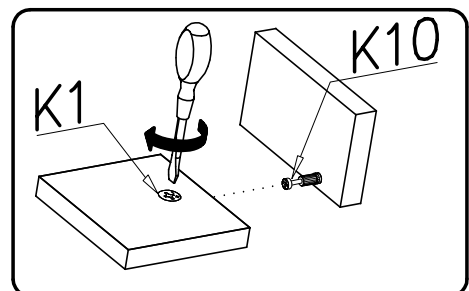
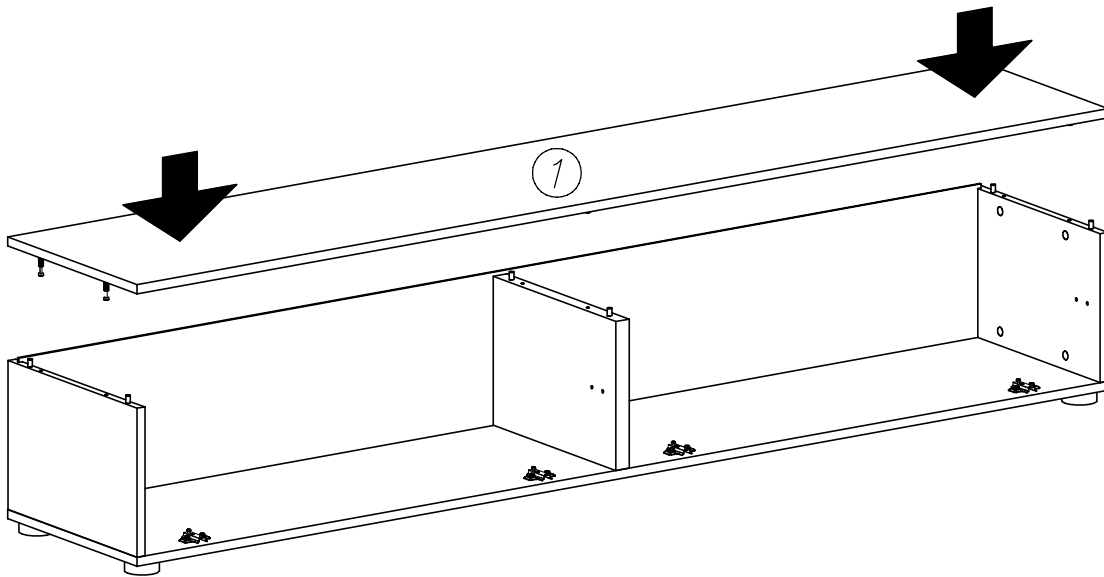


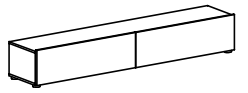


III

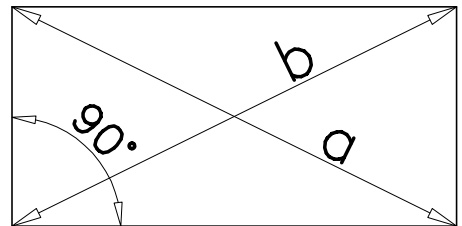
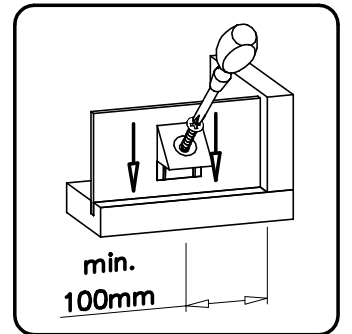
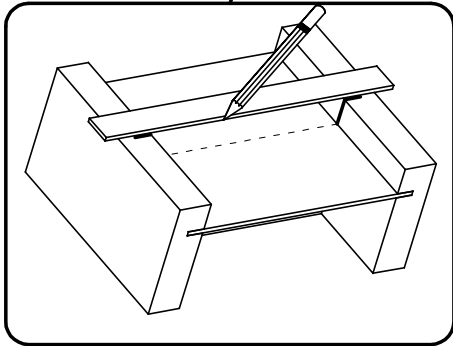
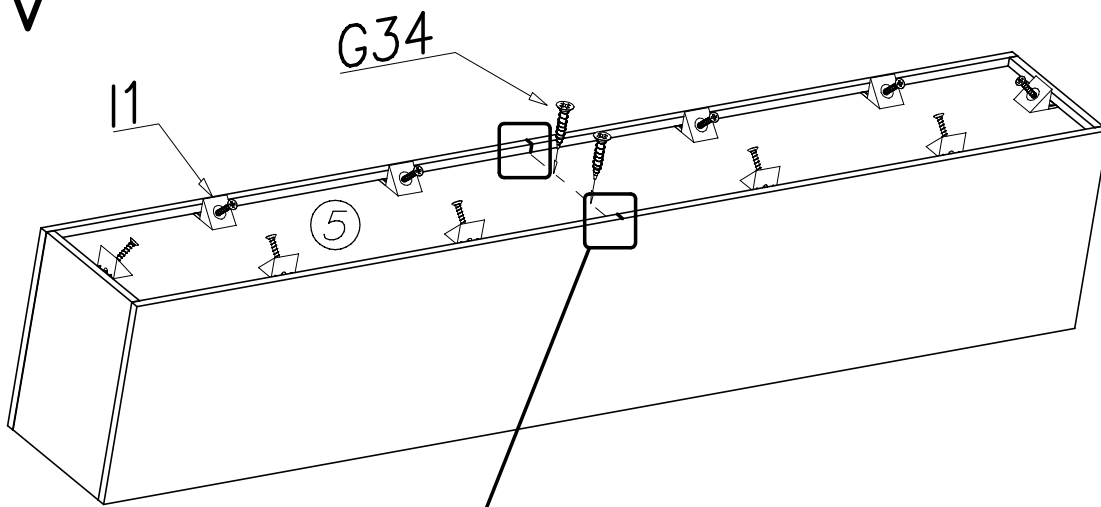


IV



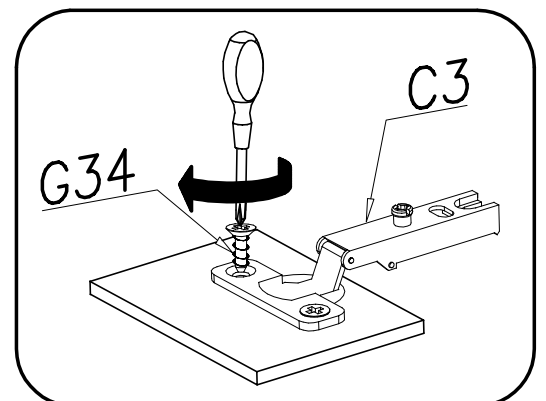
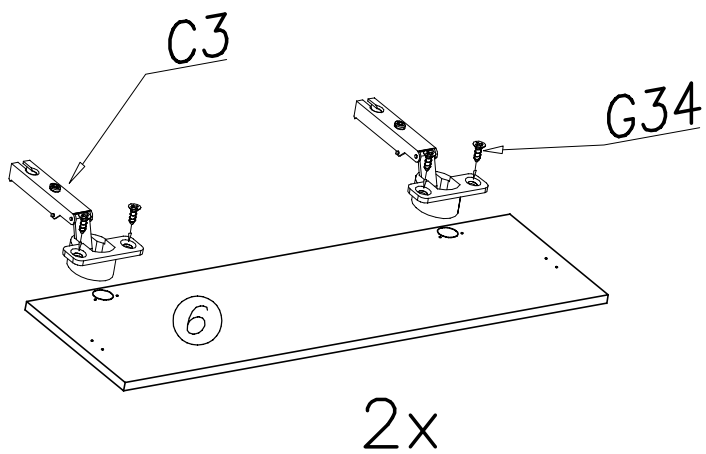


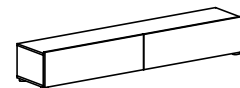
V



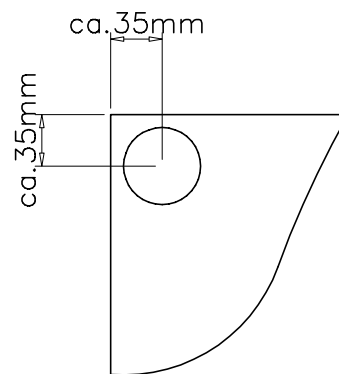
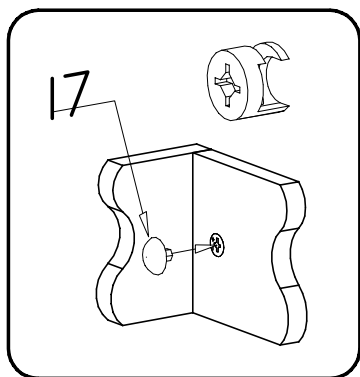
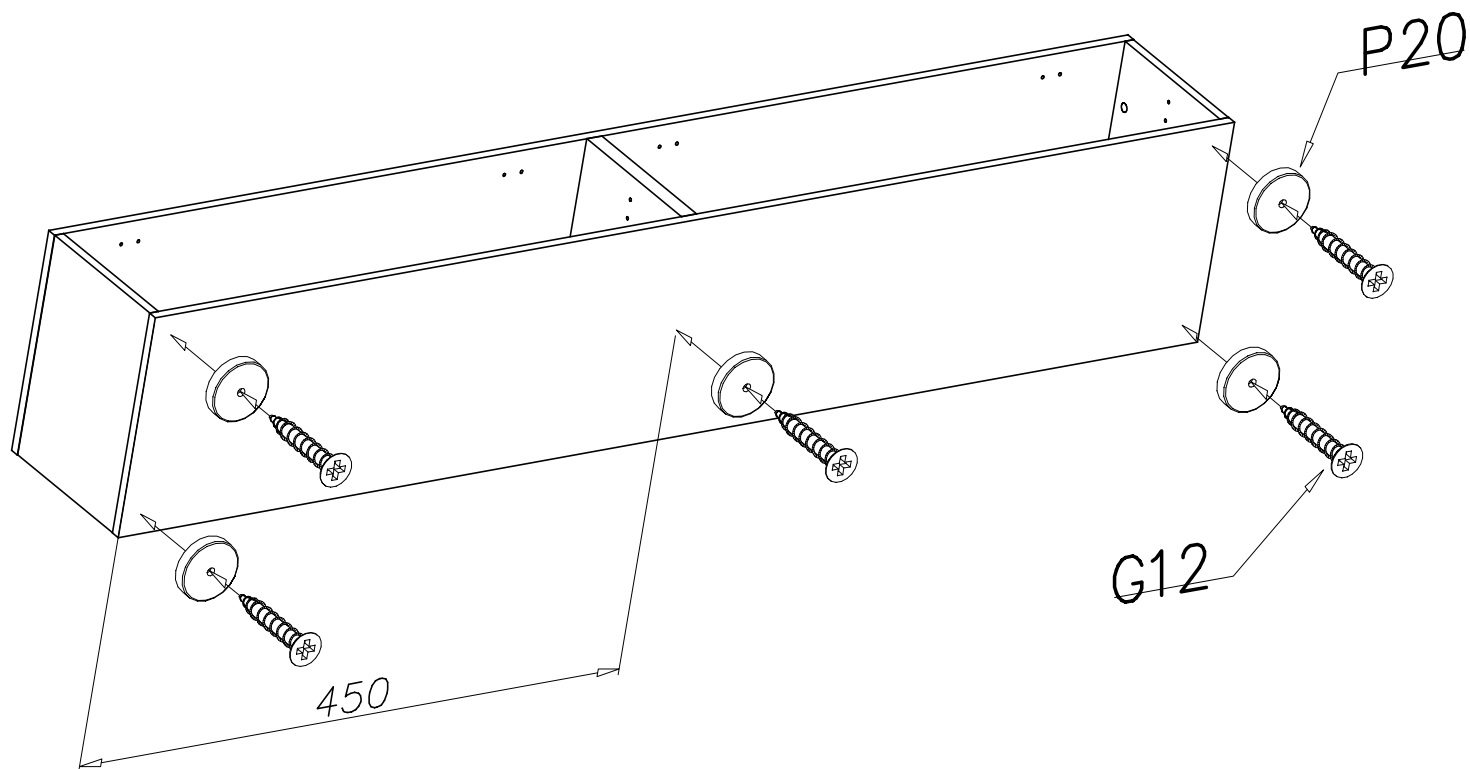
$$a = b$$

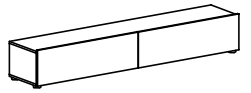
VI



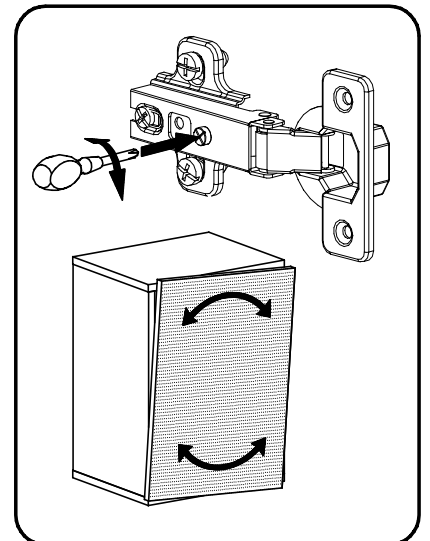
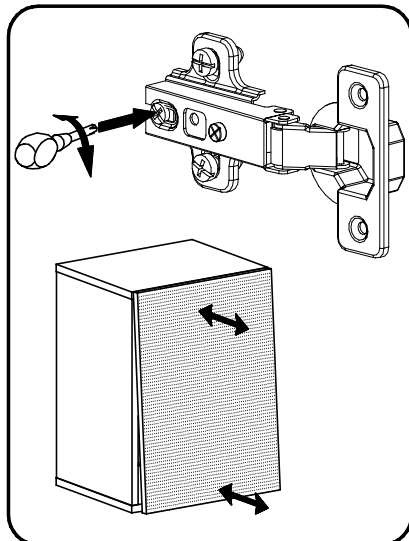
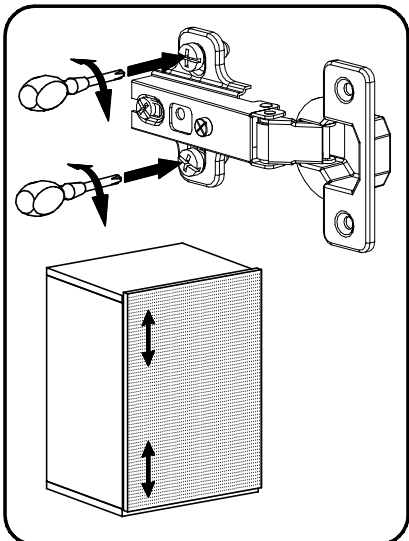
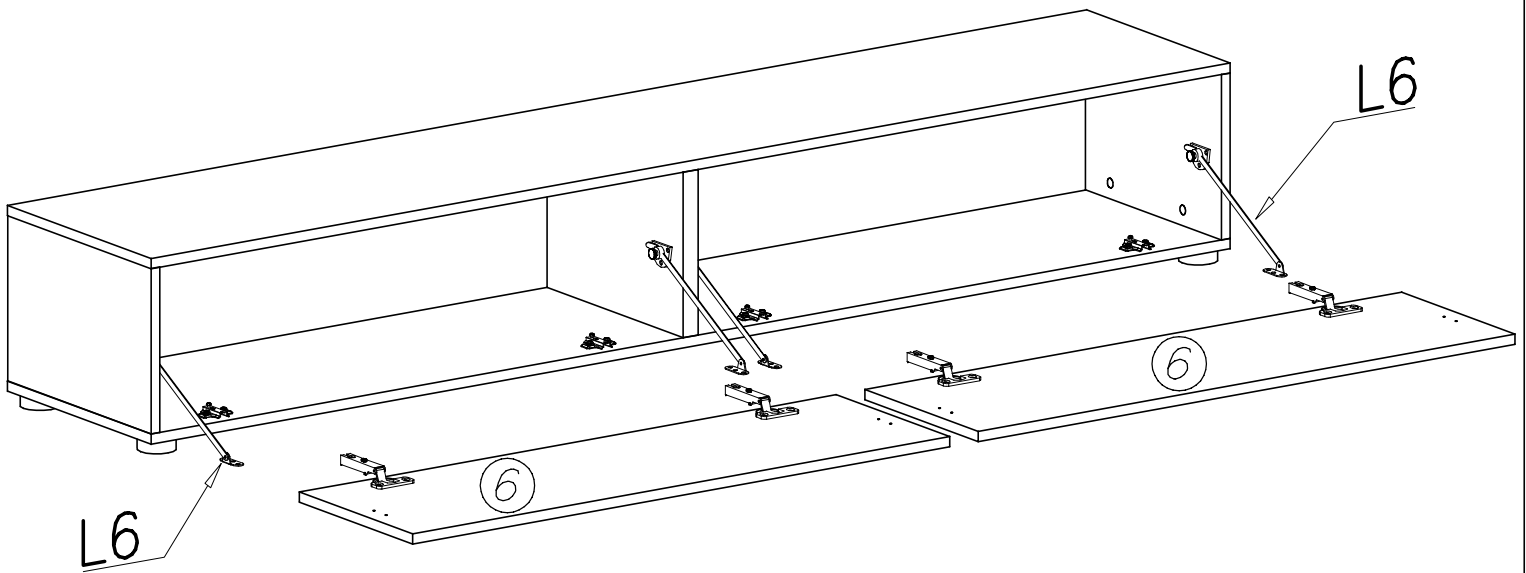
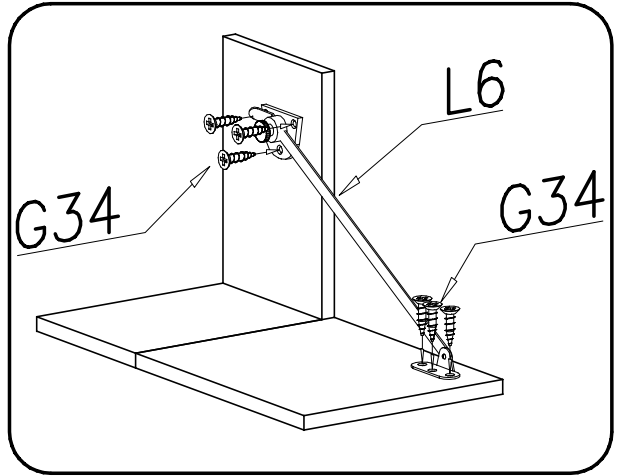
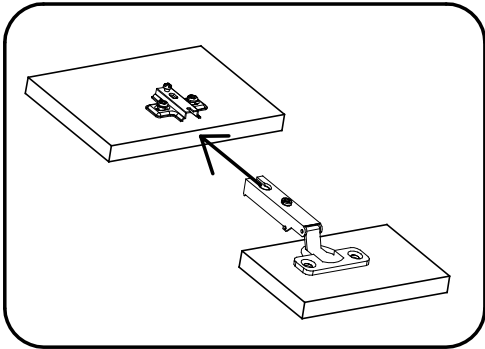


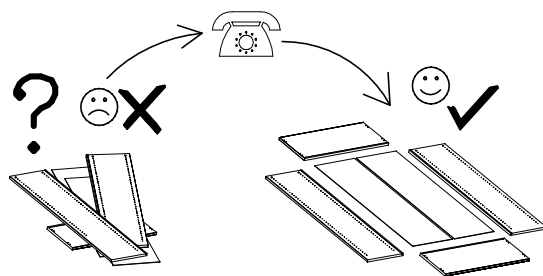
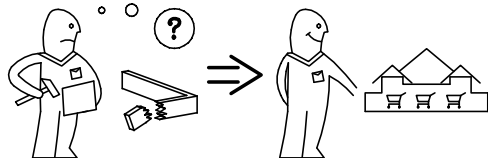
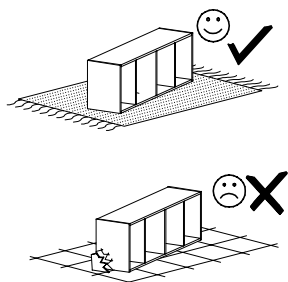
VII



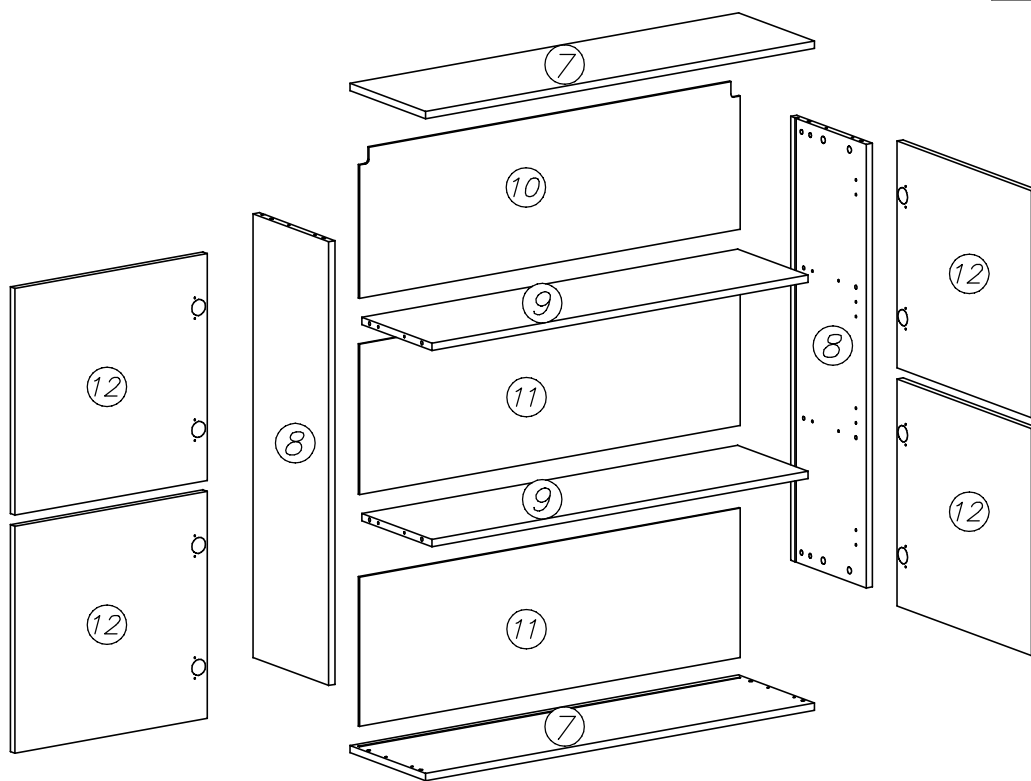




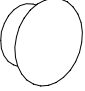
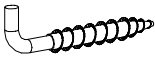
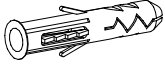
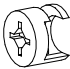
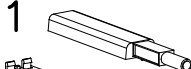
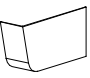
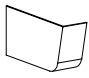
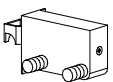
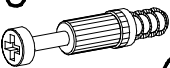


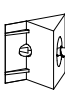
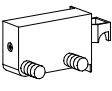
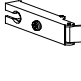
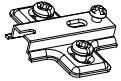
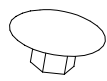
VIII

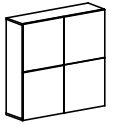




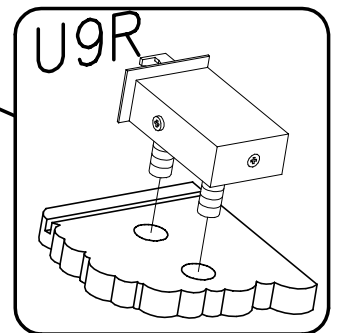
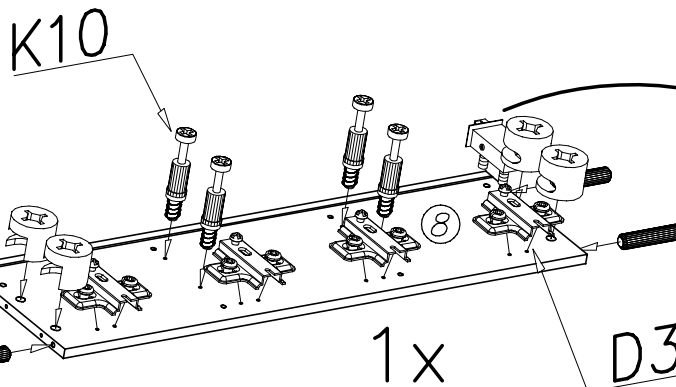
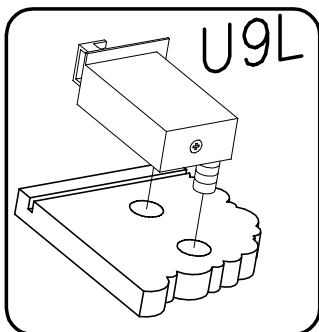
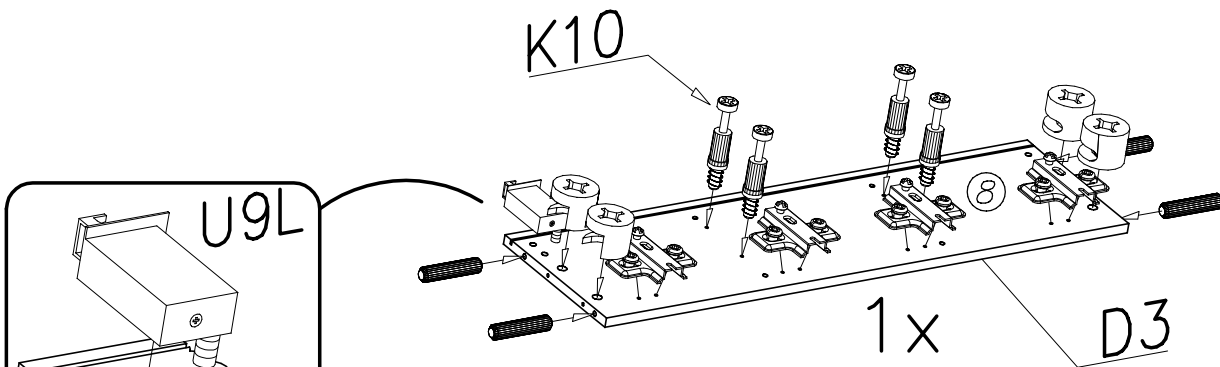
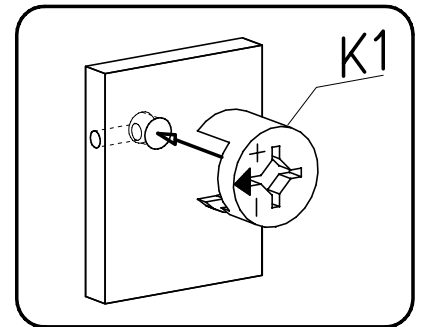
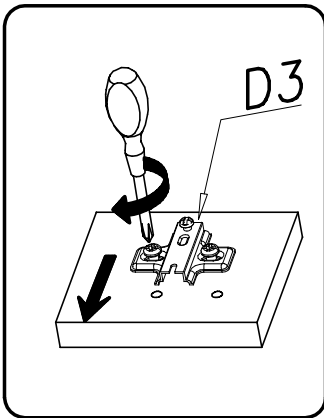
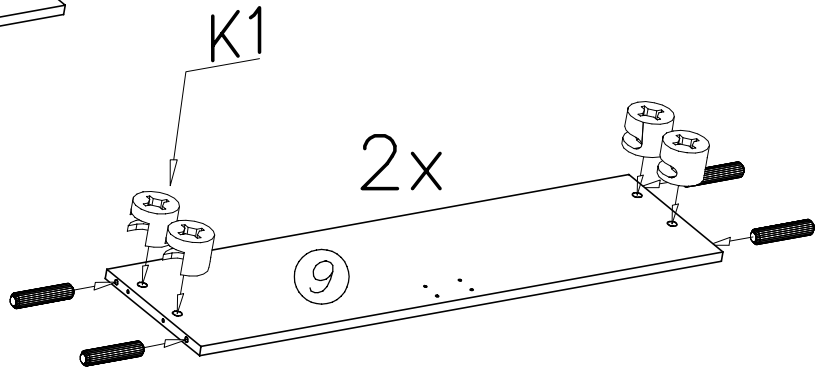
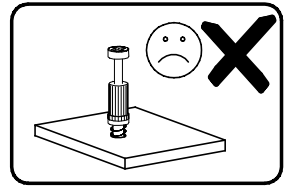
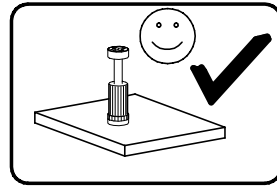
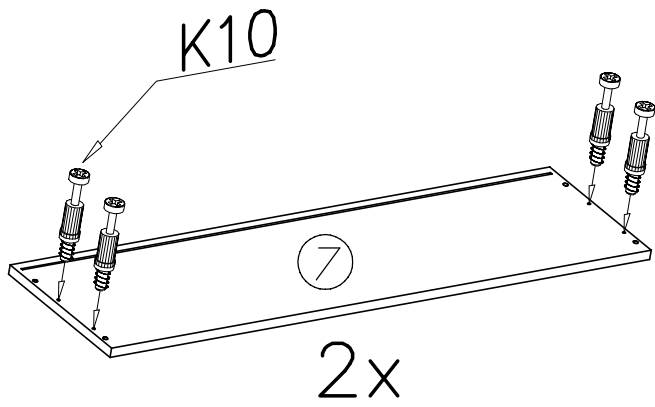
nr	L[mm]	B[mm]	T[mm]	Menge	Colli
7	1000	278	16	2	1/2
8	968	278	16	2	1/2
9	967	258	28	2	2/2
10	326	979	3	1	1/2
11	327	979	3	2	1/2
12	495	495	16	4	1/2

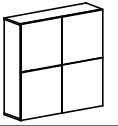


S2	 x...(16)	G34	 3,5x16 x...(32)	I10	 ø10 x...(4)	U7	 x...(2)	U8	 ø10x60 x...(2)
K1	 ø15x12 x...(16)	L11	 x...(4)	U10L	 x...(1)	U10R	 x...(1)	U9L	 x...(1)
K10	 x...(16)	B1	 ø8x35 x...(16)	G50	 6x13 x...(8)	I1	 x...(10)	U9R	 x...(1)
		C3	 Z35PR x...(8)	D3	 PZ35PR x...(8)	I7	 x...(16)		

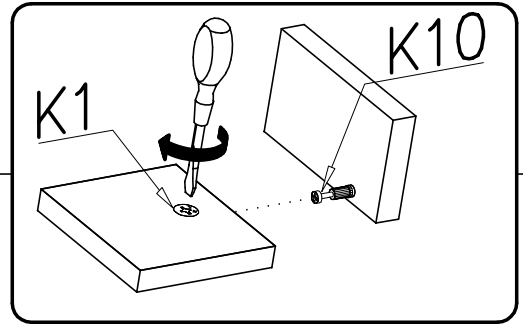
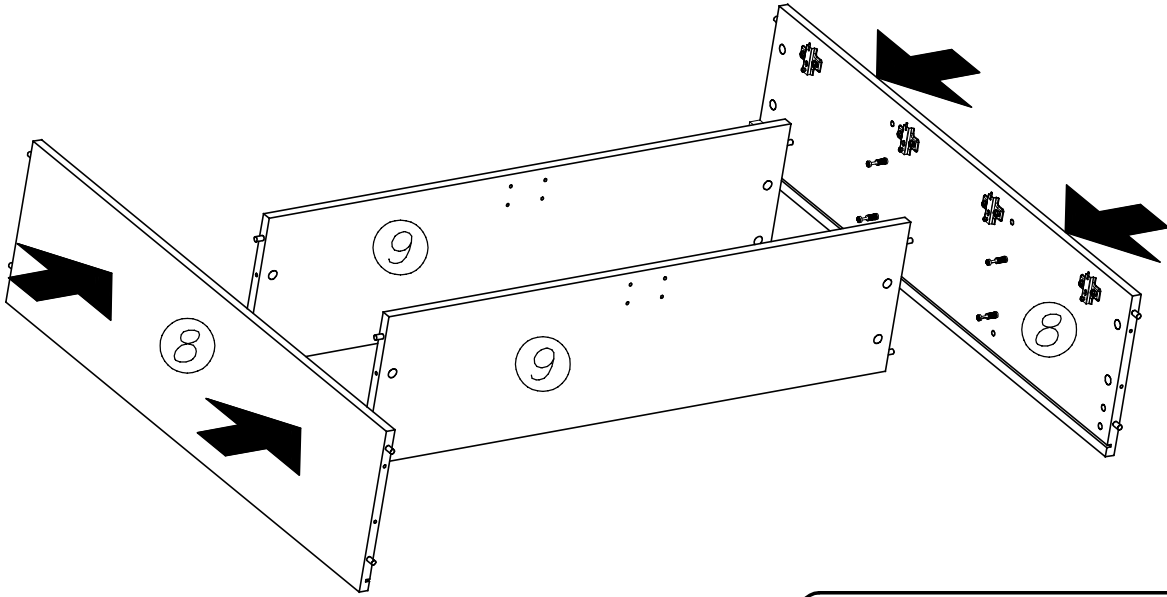


I

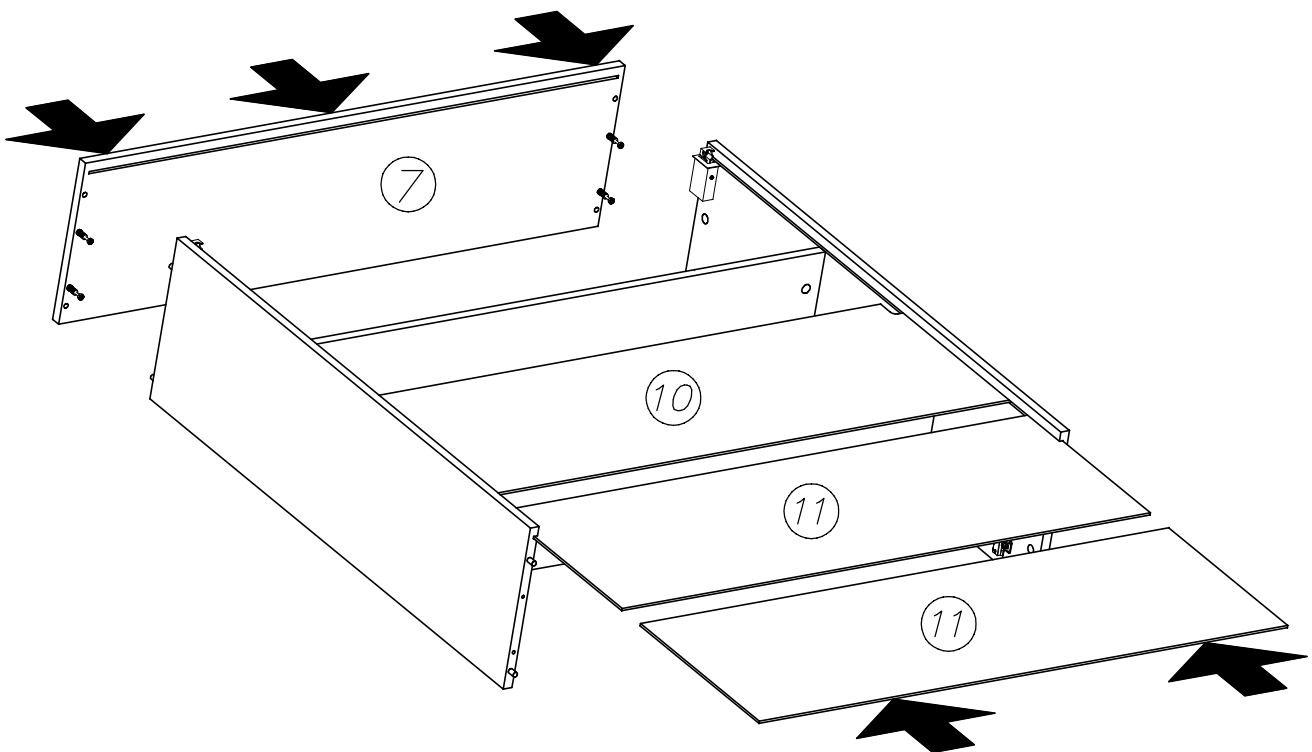


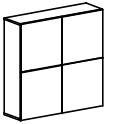


II

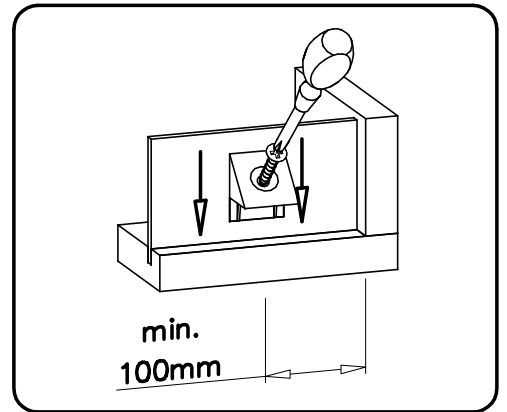
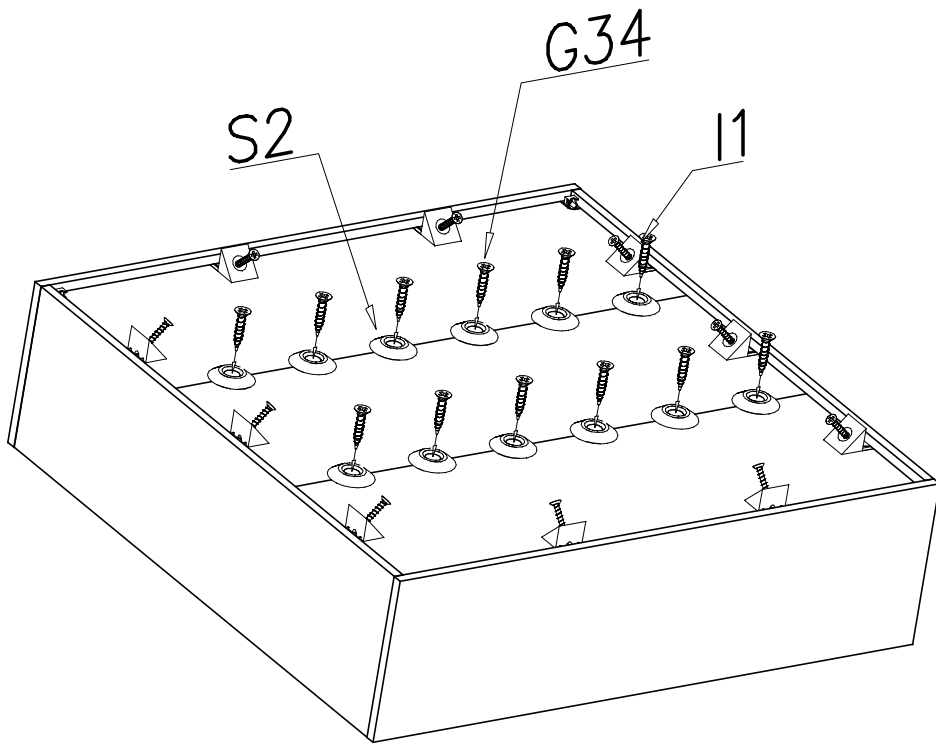
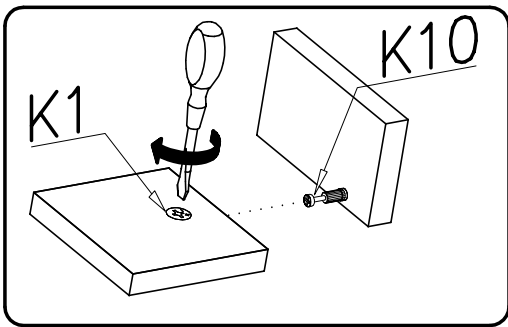
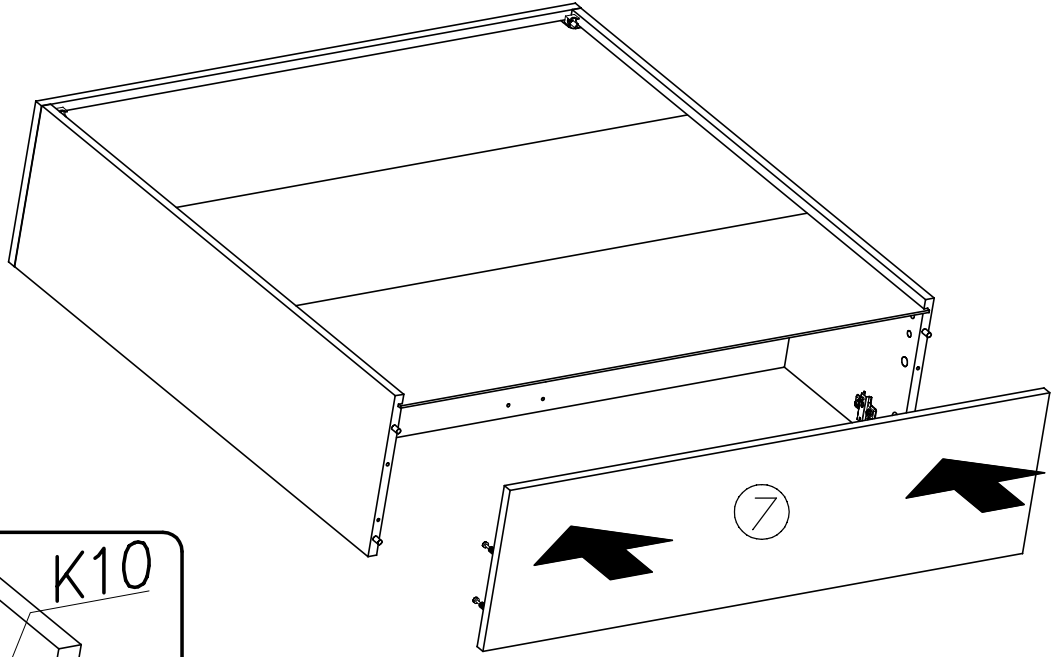


III

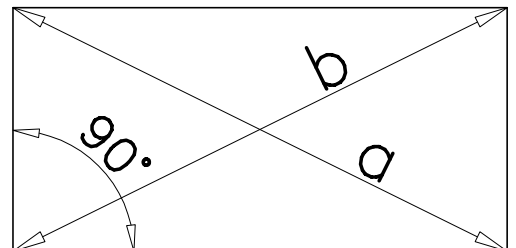


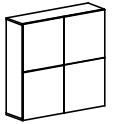


IV

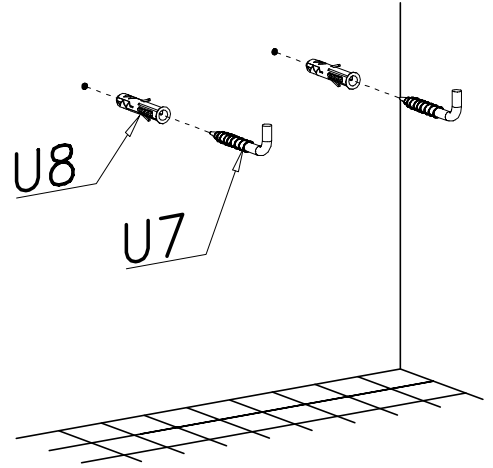
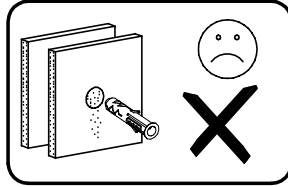
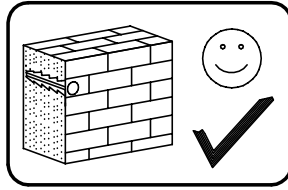
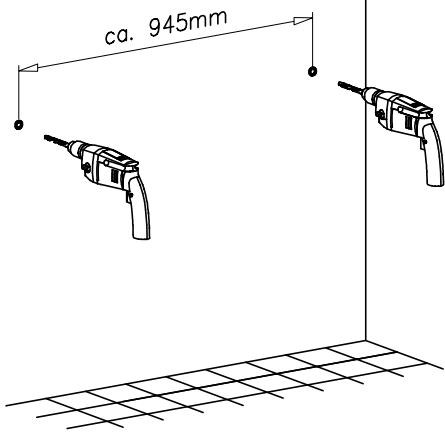


$a = b$

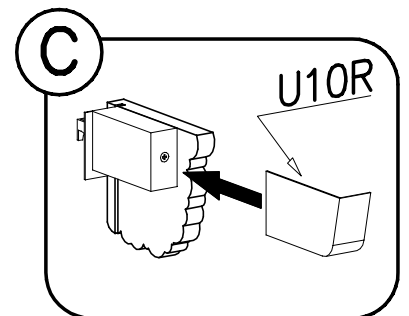
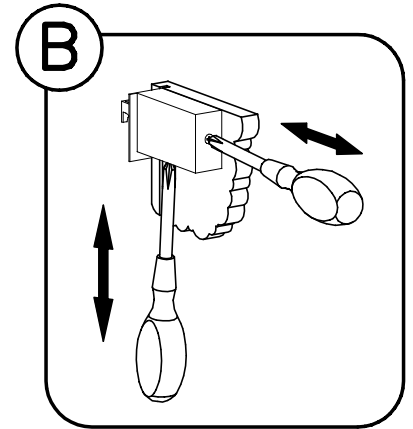
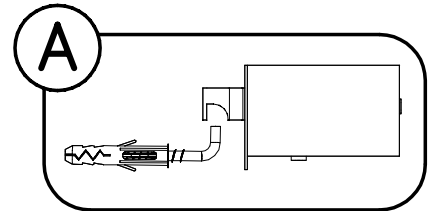
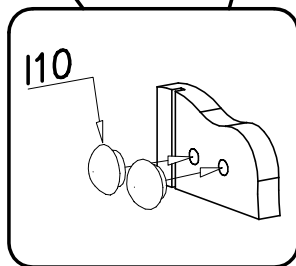
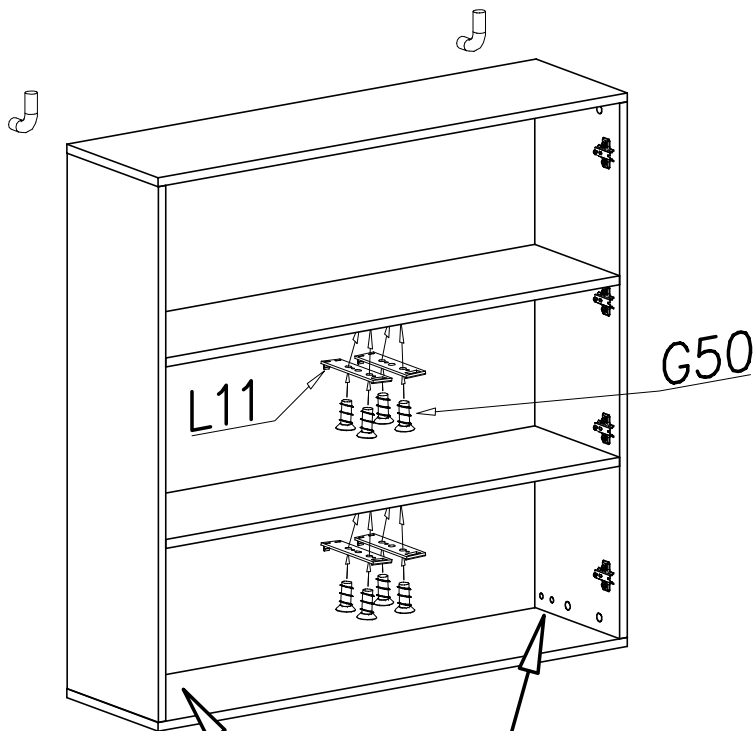


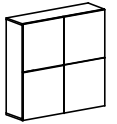


V

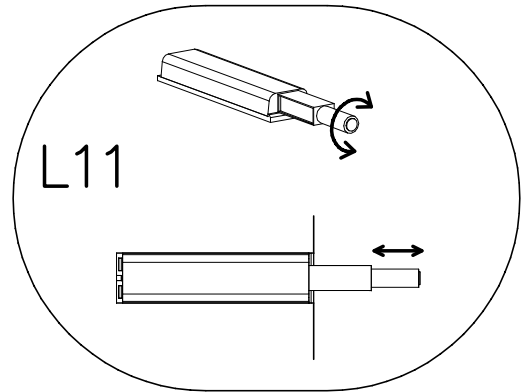
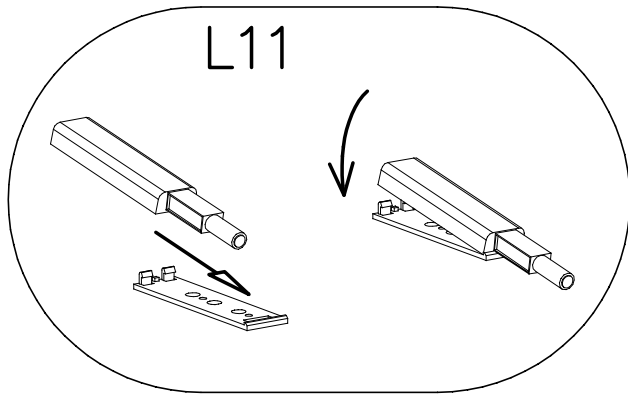
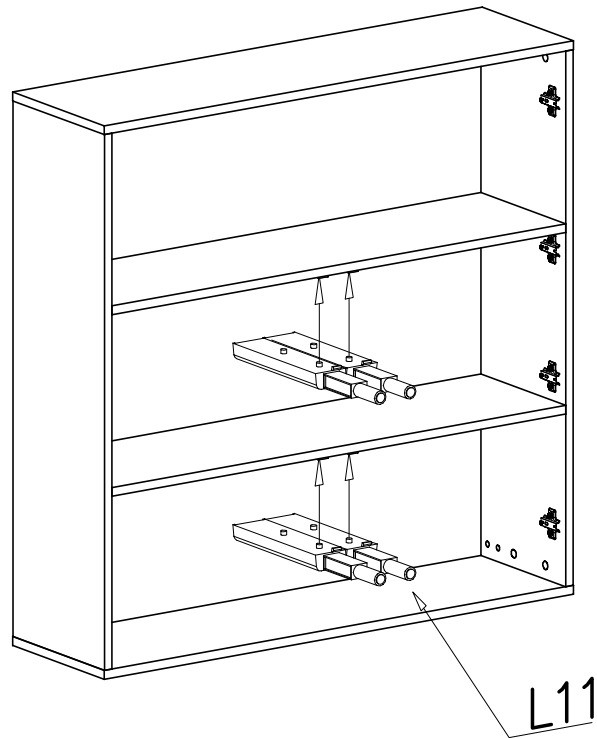


VI

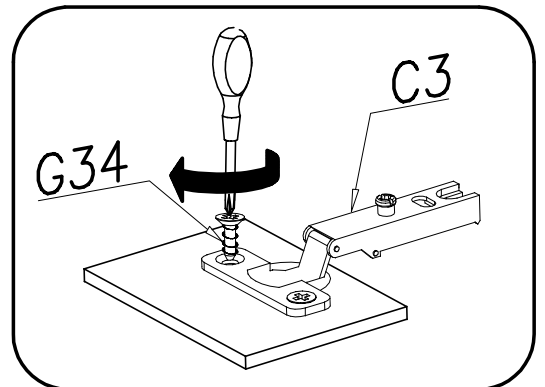
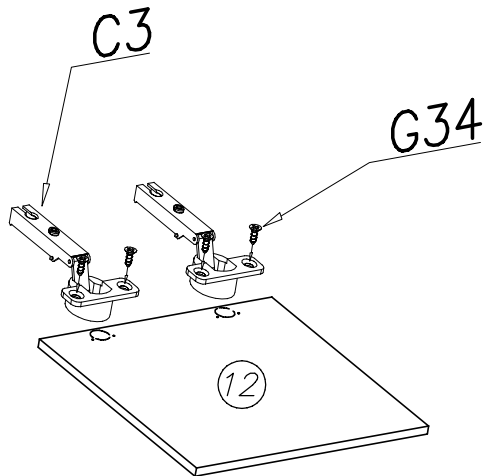


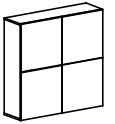


VII

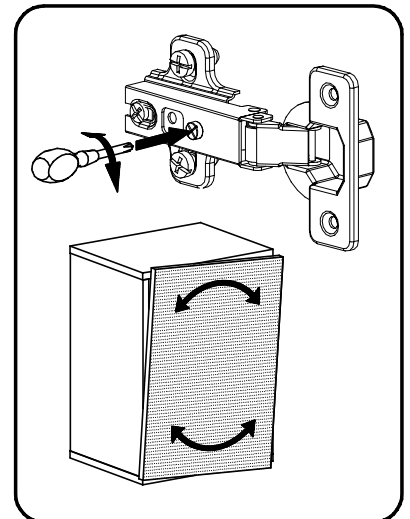
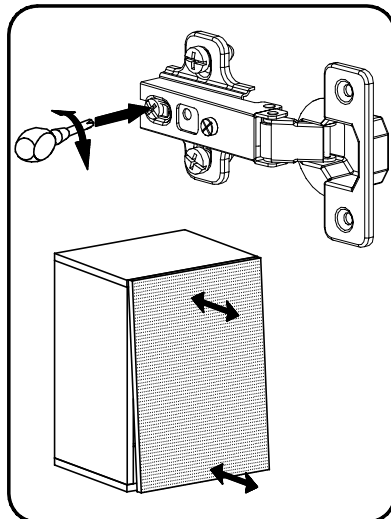
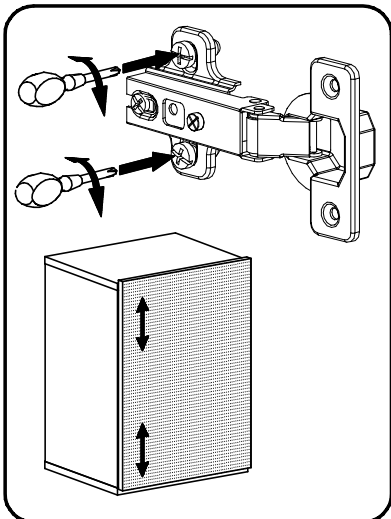
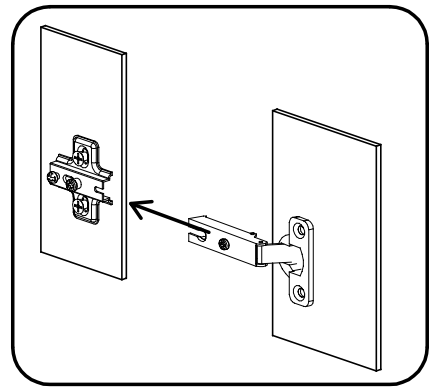
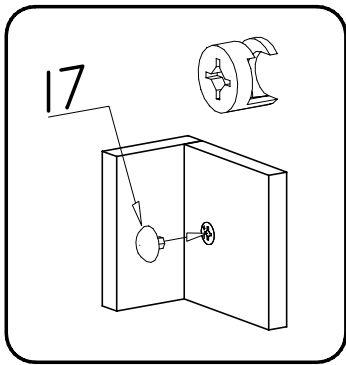
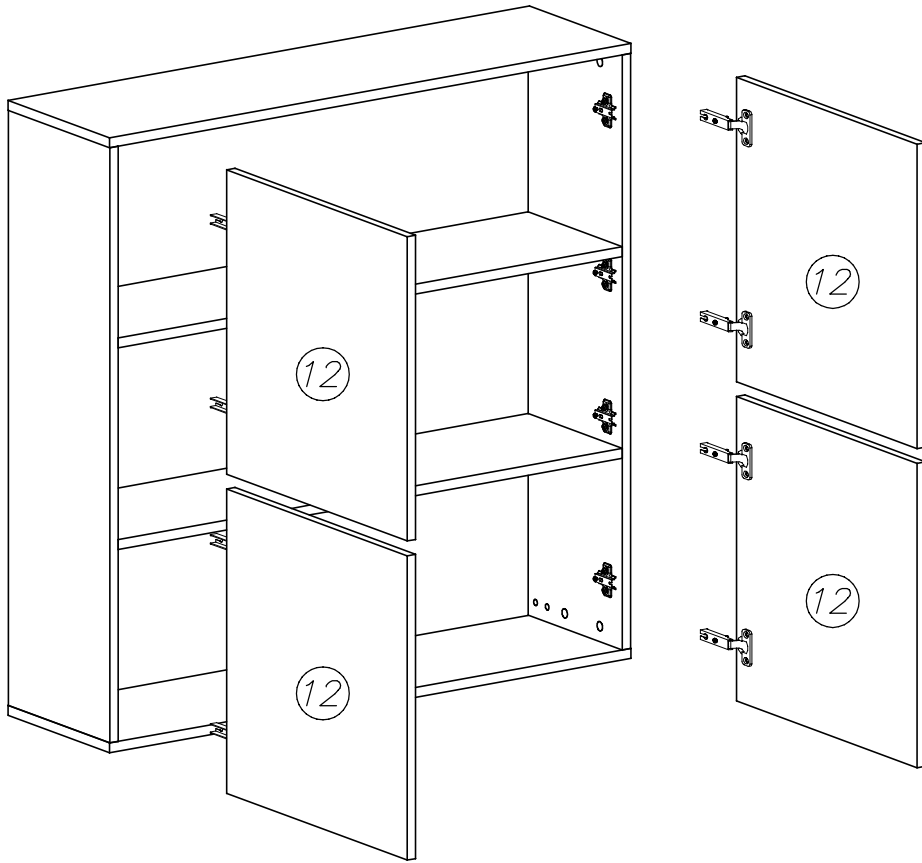


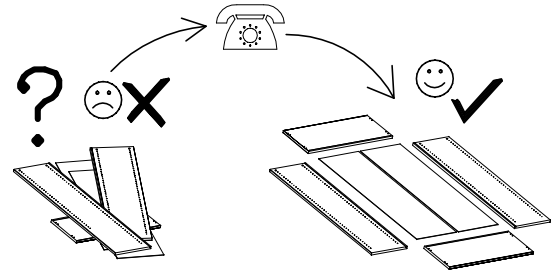
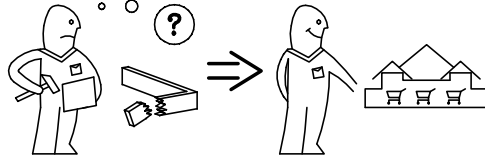
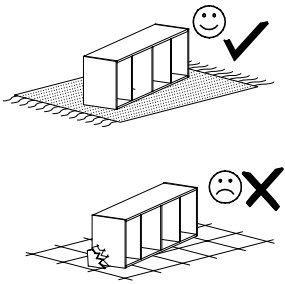
VIII



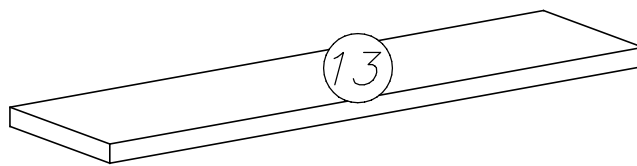
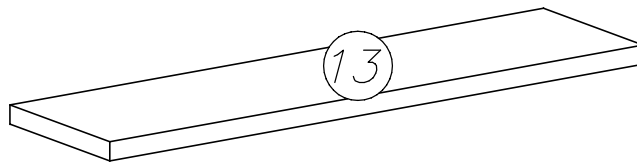


IX

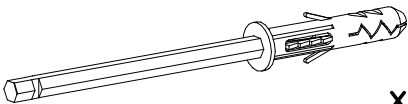




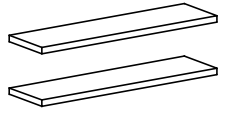
nr	L[mm]	B[mm]	T[mm]	Menge	Colli
13	915	244	28	1	1/2



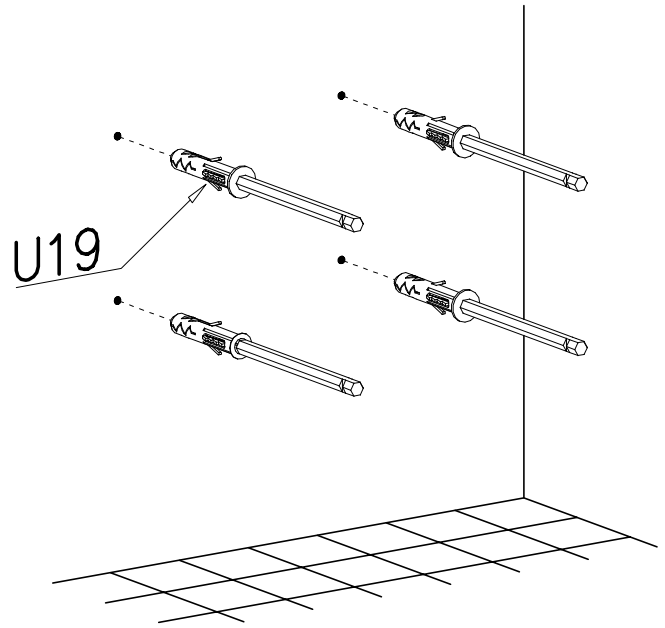
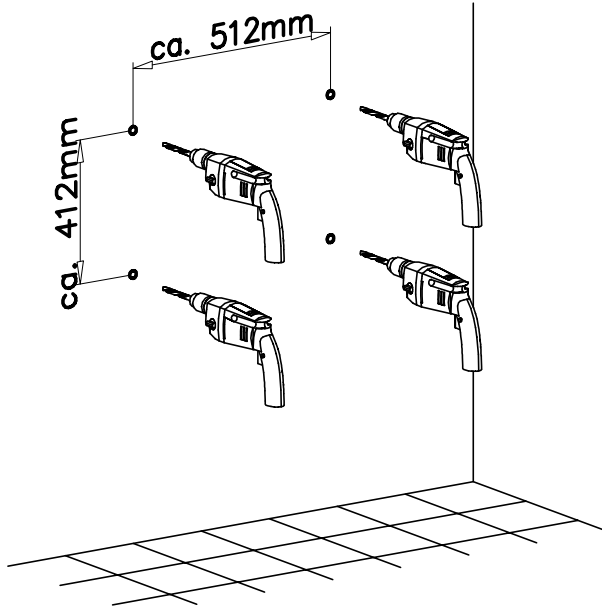
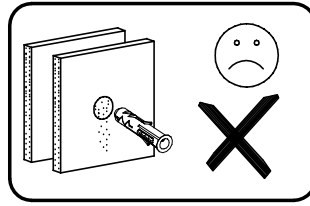
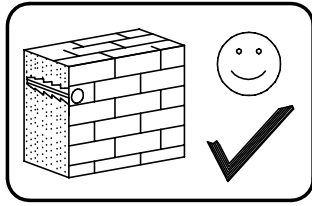
U19



x...(4)



I



II

