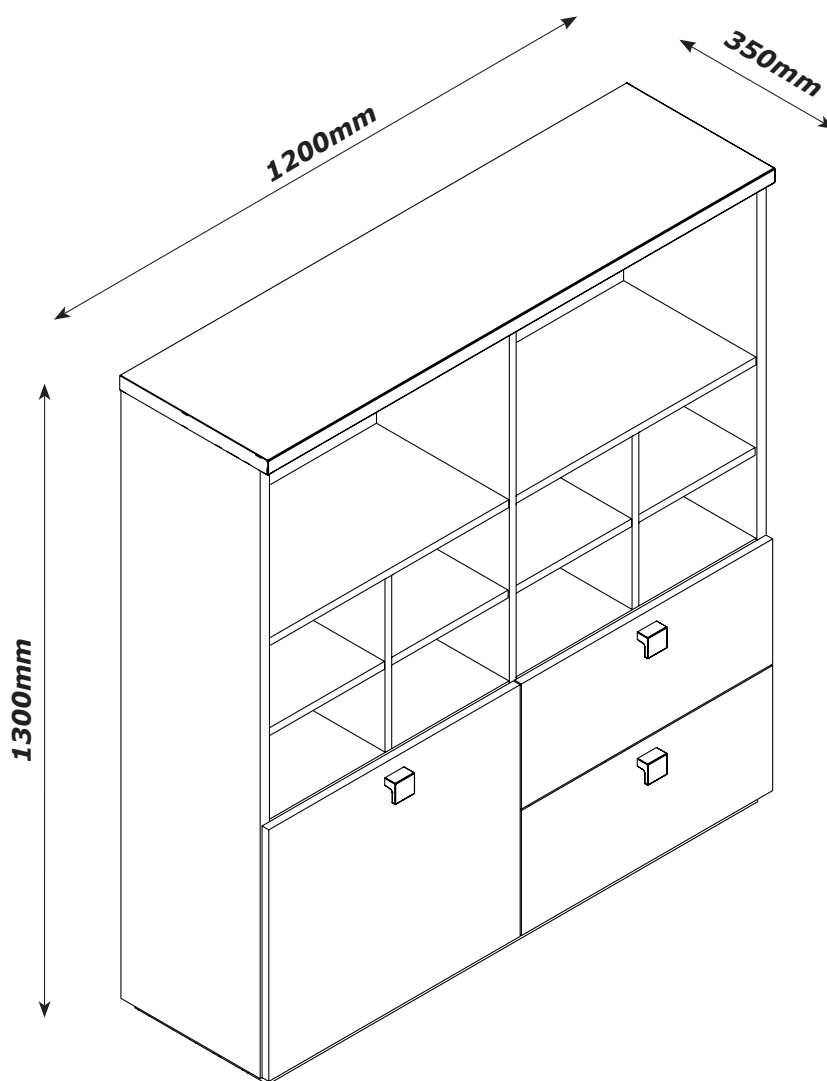
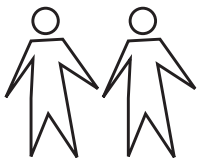


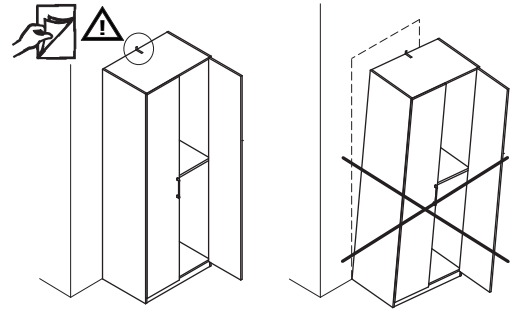
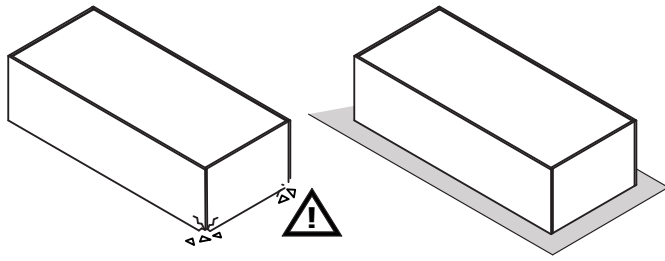
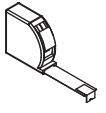
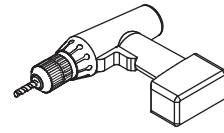
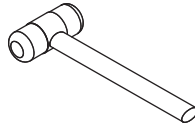
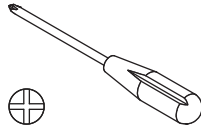
LB5529K64905



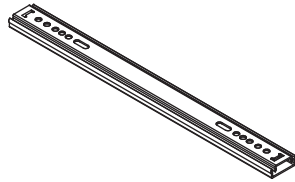
QF5444-1



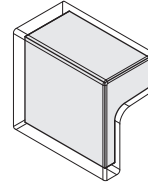
2h



BU4579

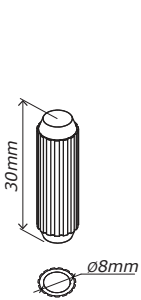


A47
x4

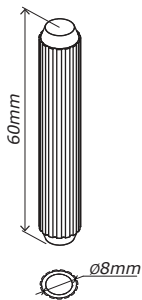


M211
x3

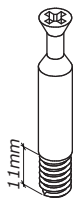
BU4308



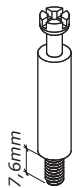
H1
x28



H82
x4



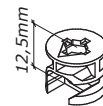
T28
x22



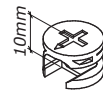
T103
x8



T53
x4



T7
x26



T98
x4



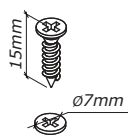
R40
x16



H54
x8



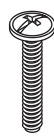
V38
x4



V5
x24



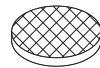
H2
x16



V137
x6



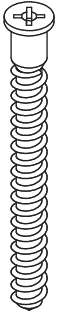
H15
x8



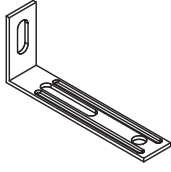
H139
x6



V81
x2



V115
x2



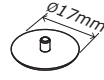
H185
x1



H129
x2



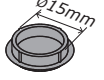
H113
x6



G136
x4

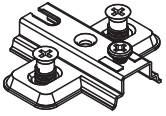


G32
x12

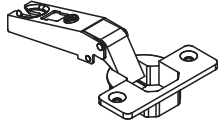


G154
x4

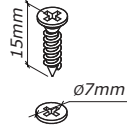
BU3494



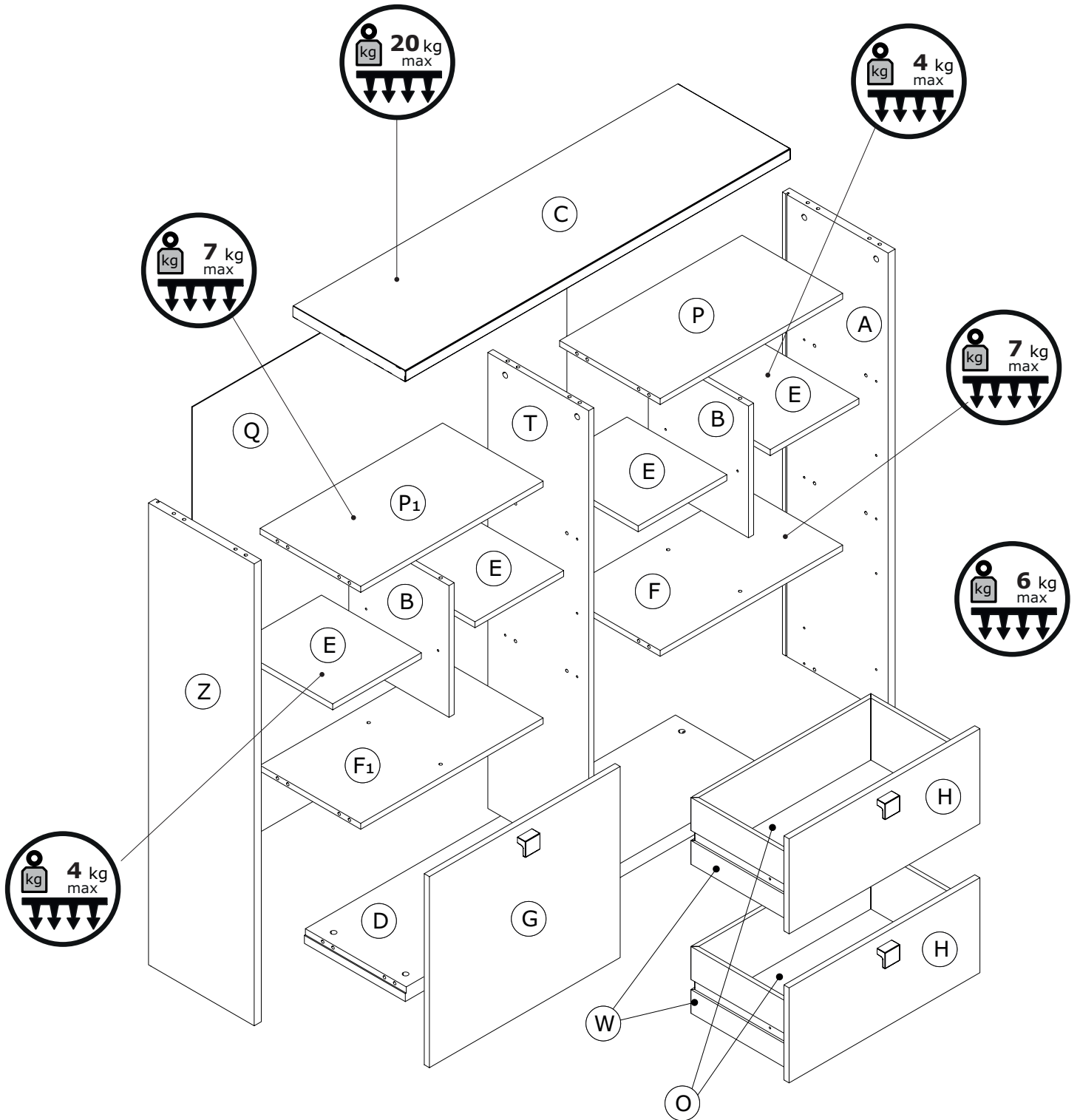
B30
x2

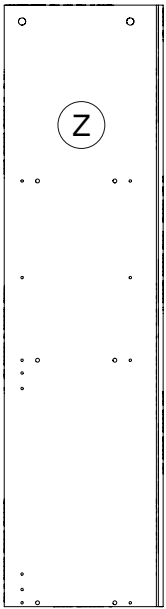


C66
x2

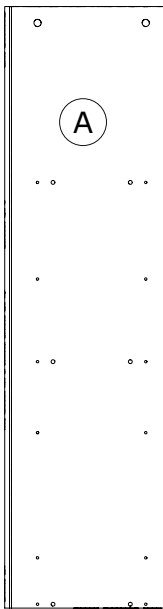


V5
x4

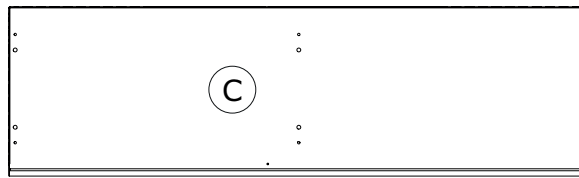




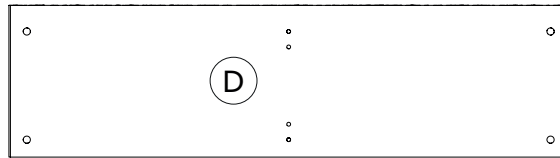
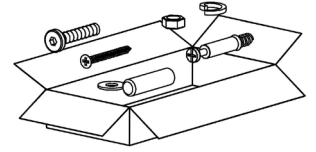
FI8721
1245x329x22mm



FI8723
1245x329x22mm

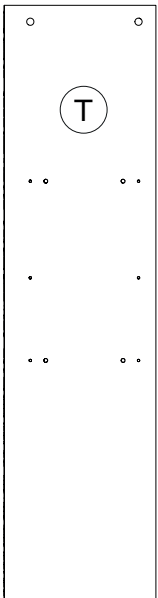


CA3604
1200x350x30mm

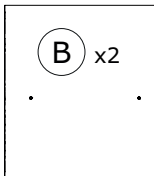


BA2193
1158x314x38mm

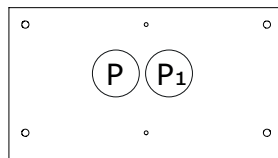
BOX 1/2



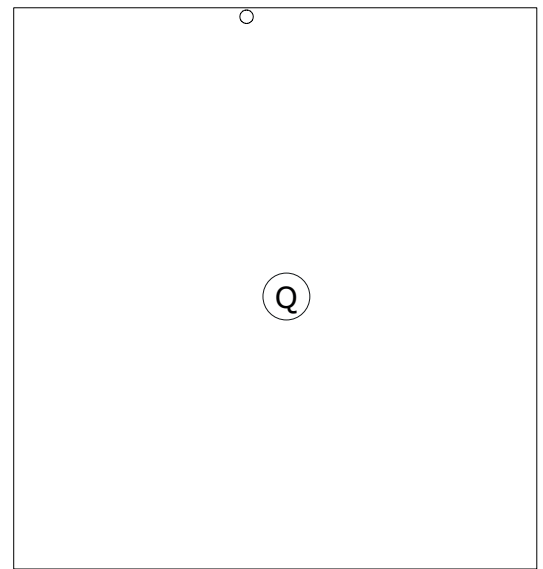
TR2238
1229x314x16mm



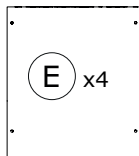
TR2239
355x312x16mm



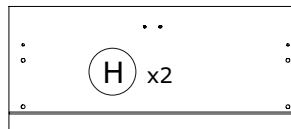
PI7165
568x313x16mm



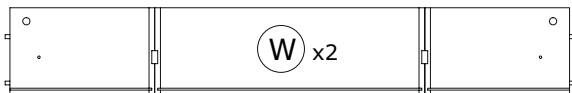
SS0802
1251x1166x2mm



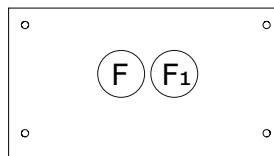
PI7167
276x311x16mm



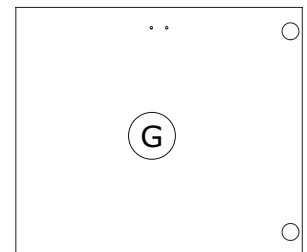
CS3426
594x256x16mm



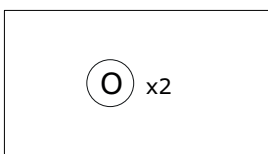
OF0701
300x560x300mm H. 180mm



PI7166
568x313x16mm



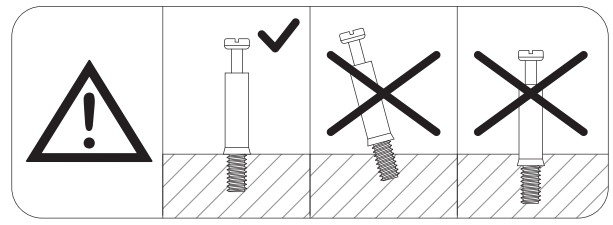
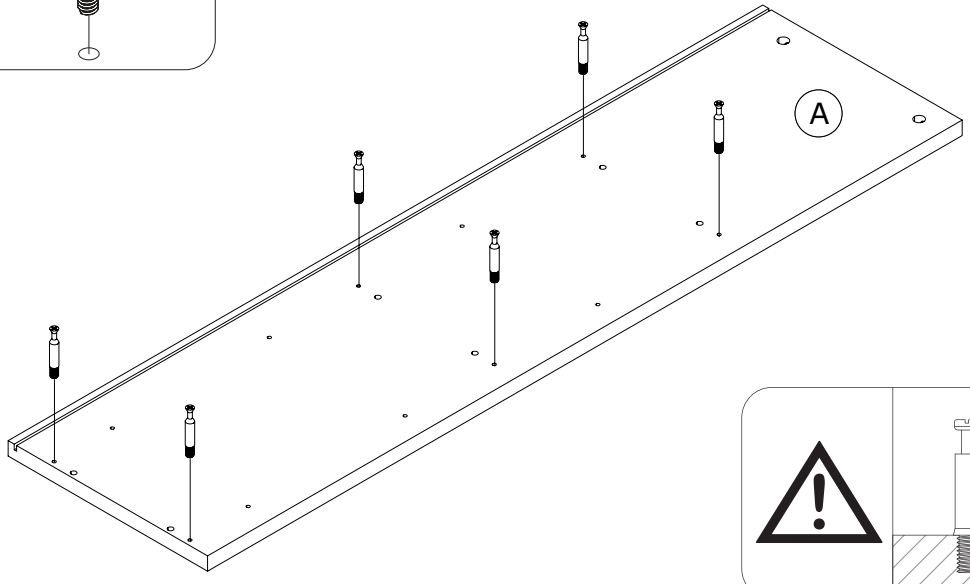
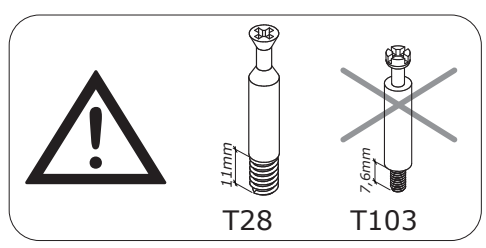
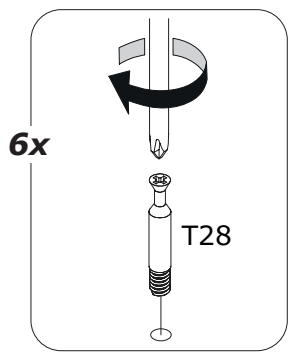
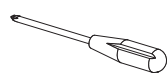
AN3004
515x594x16mm



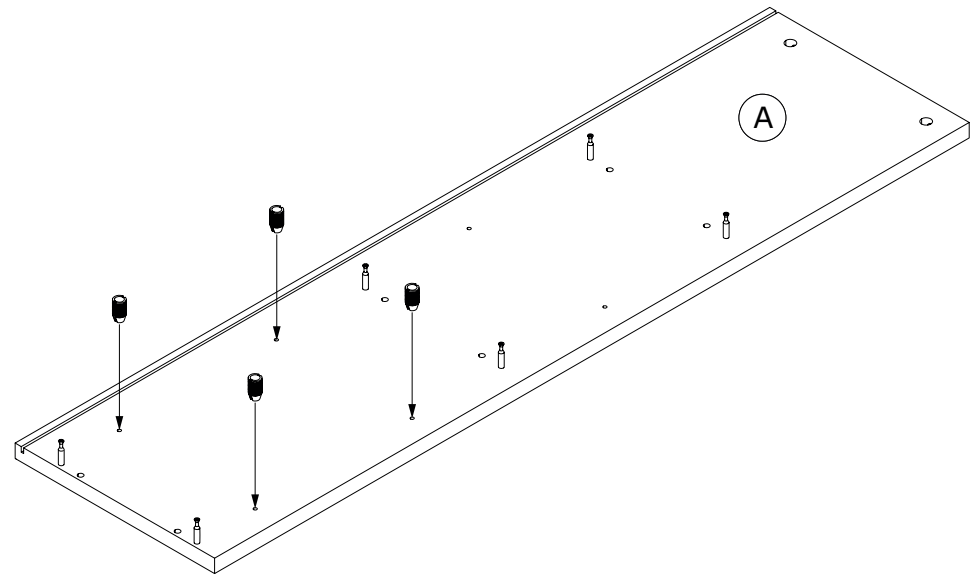
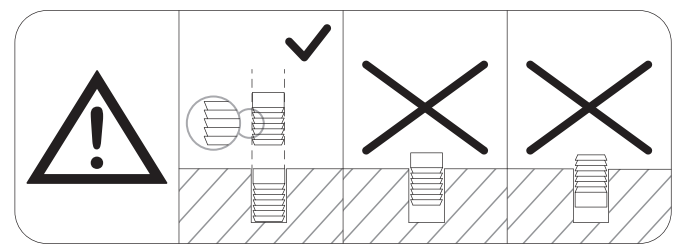
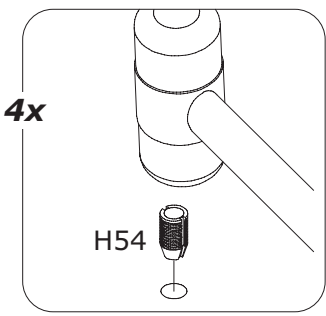
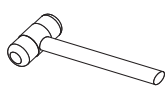
SH3678
547x301x2mm

BOX 1/2

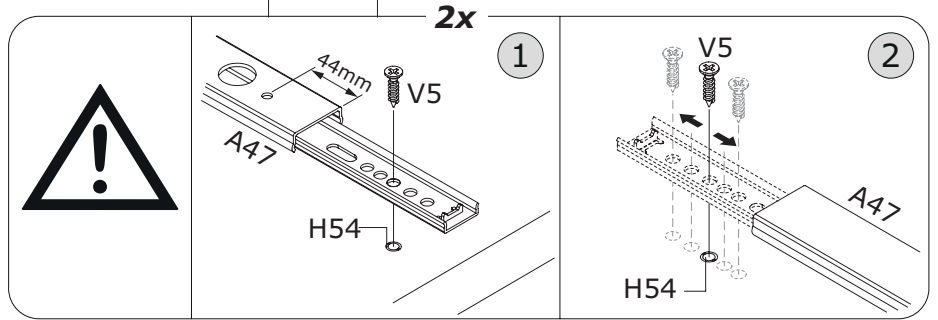
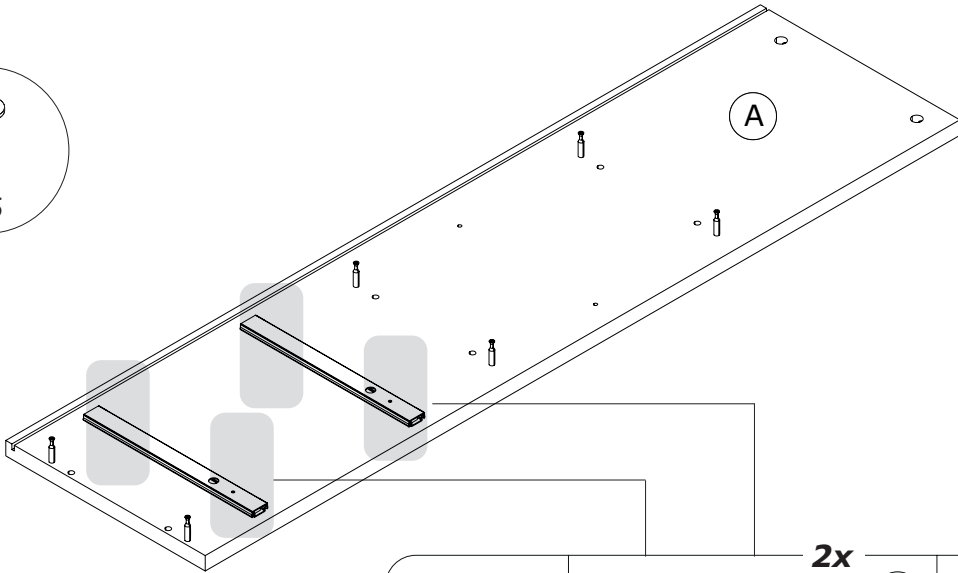
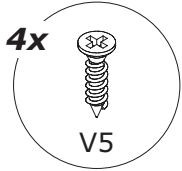
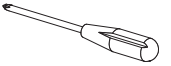
1



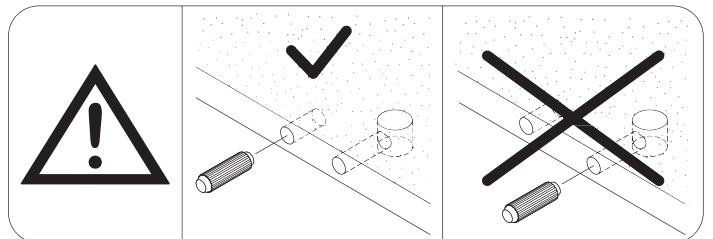
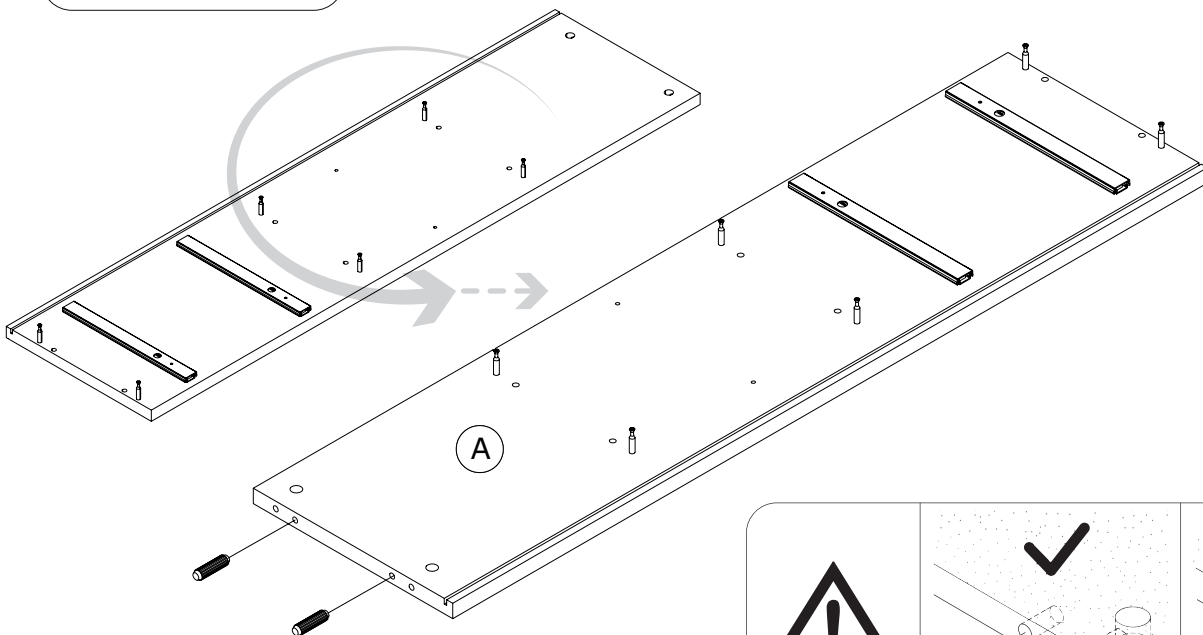
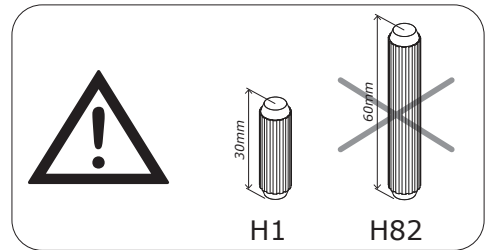
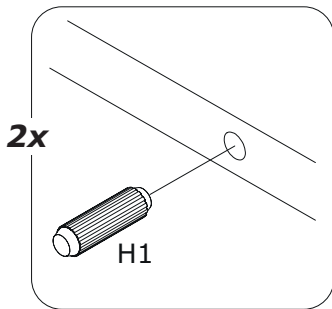
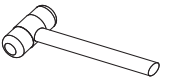
2



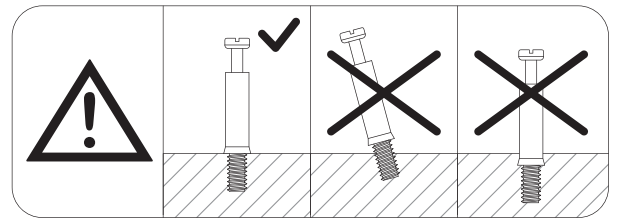
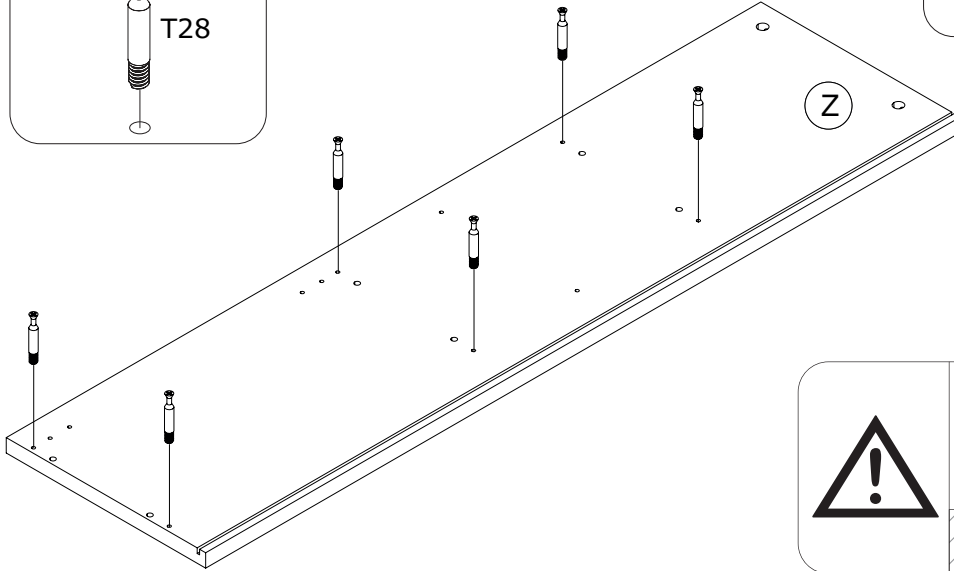
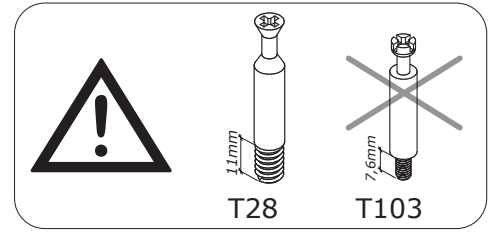
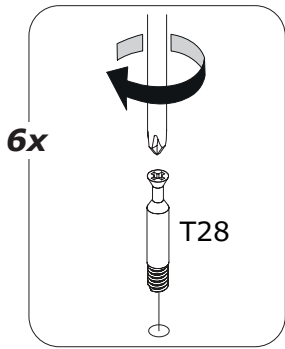
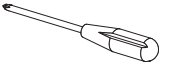
3



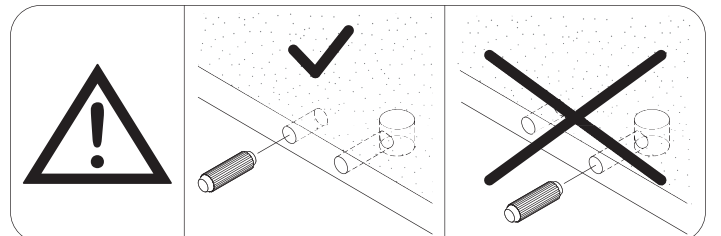
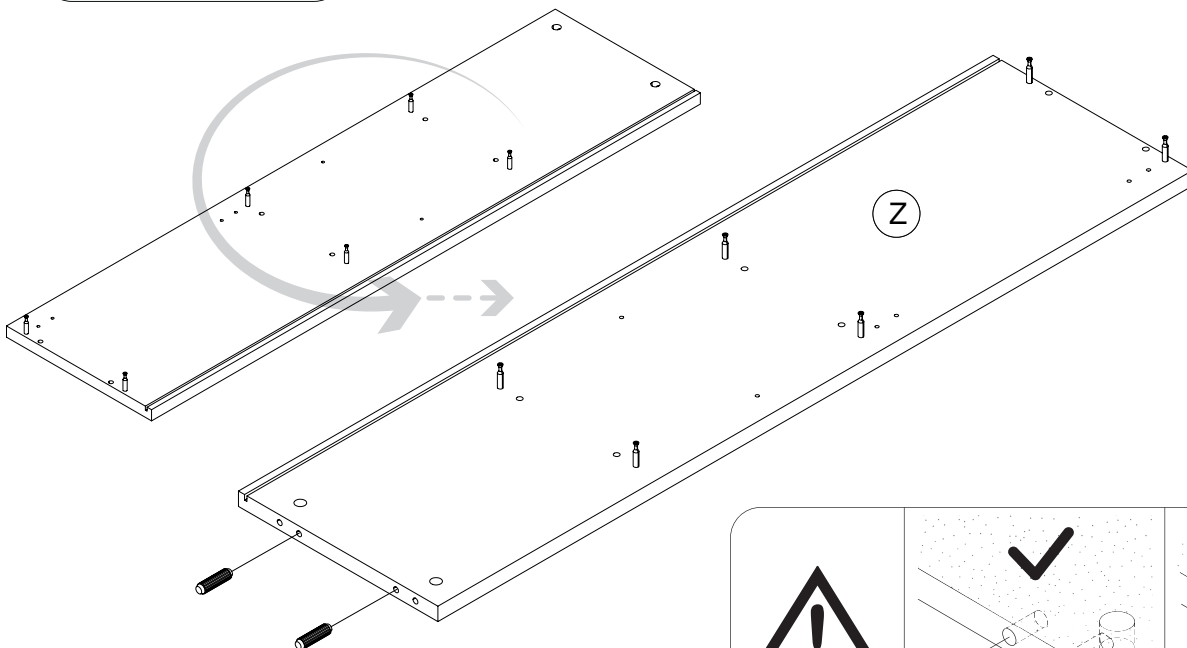
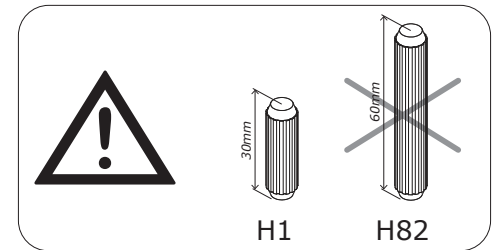
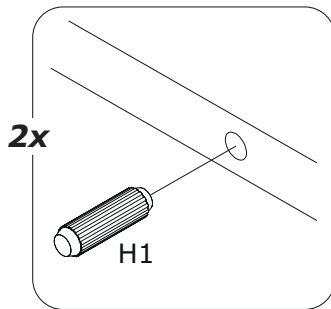
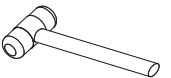
4



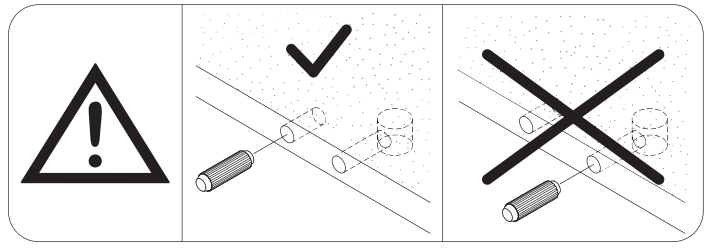
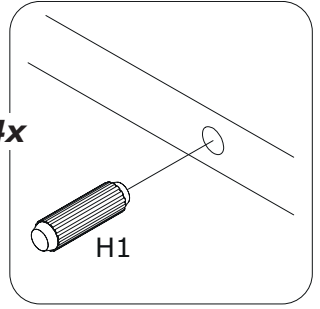
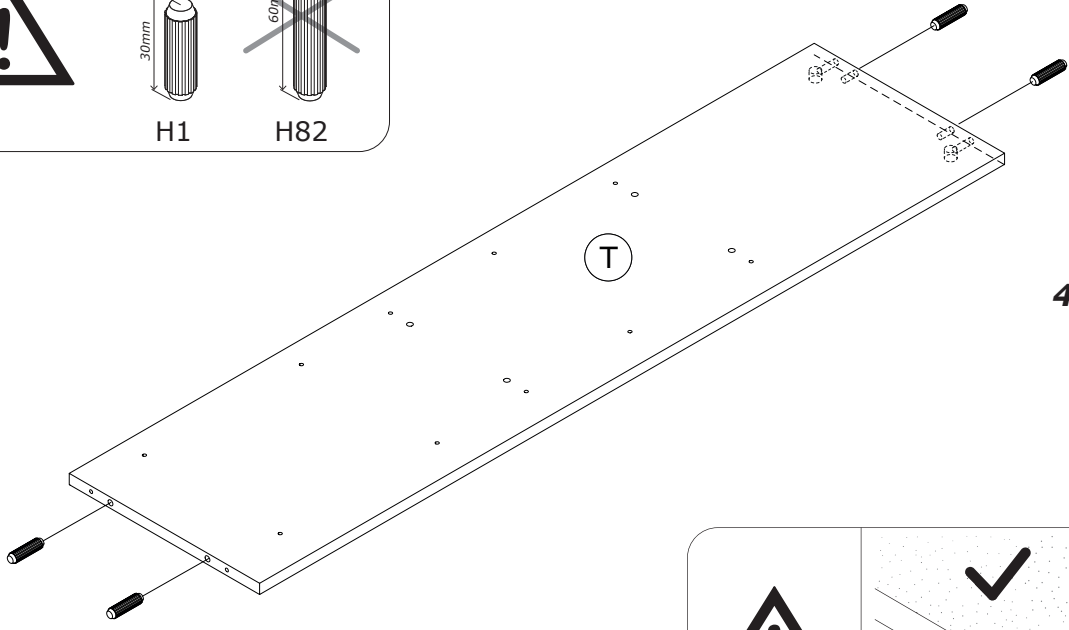
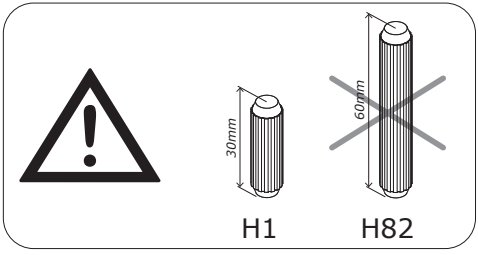
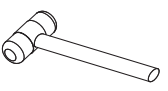
5



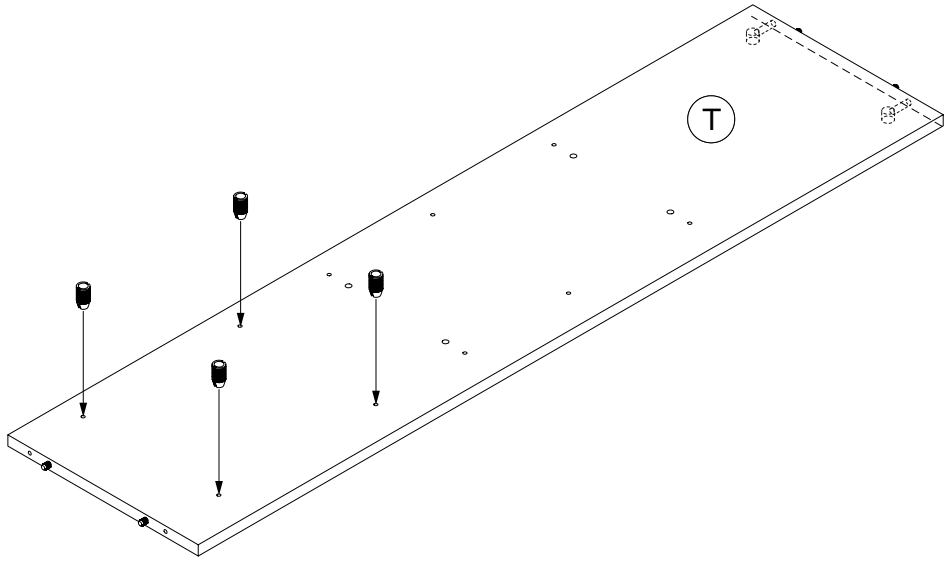
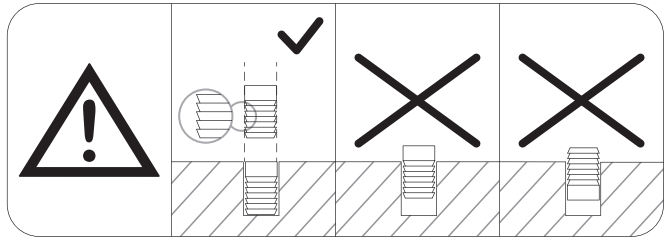
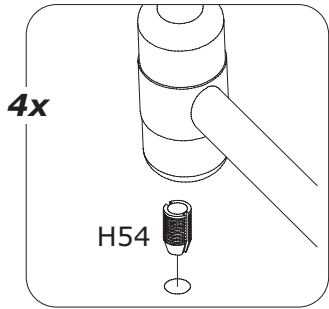
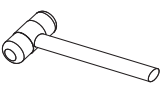
6



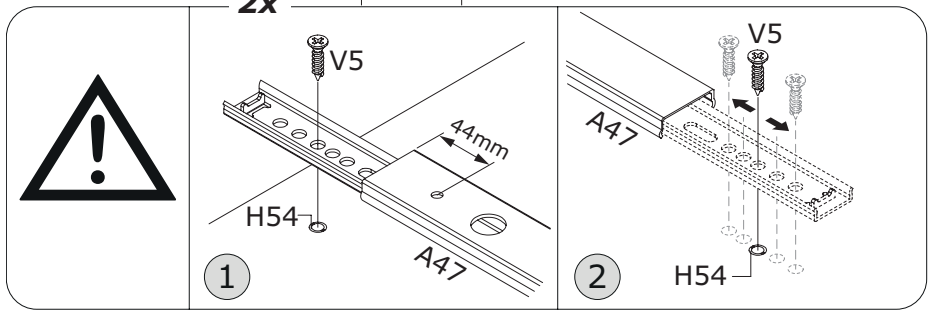
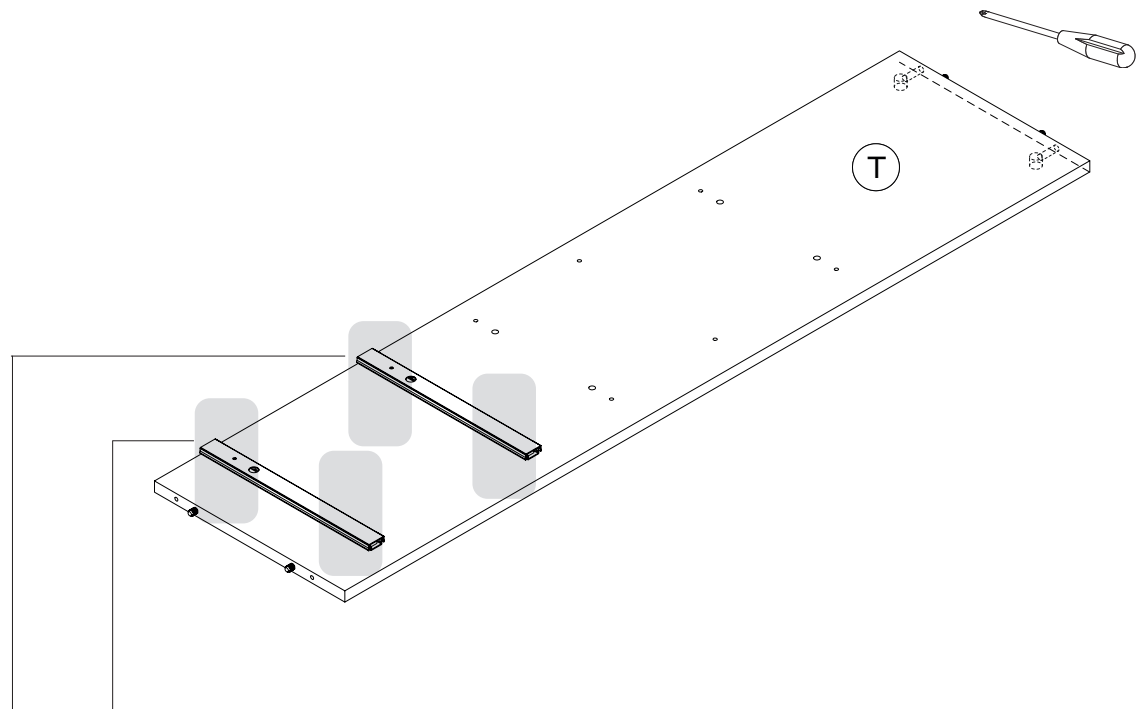
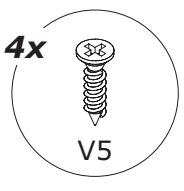
7



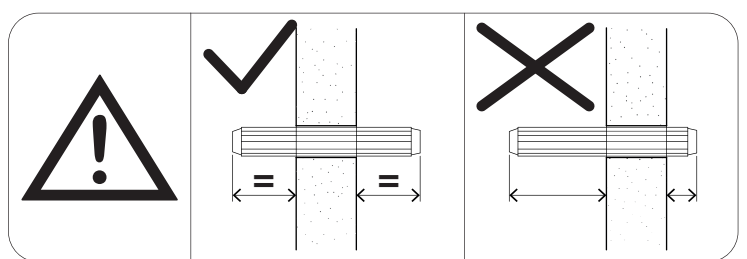
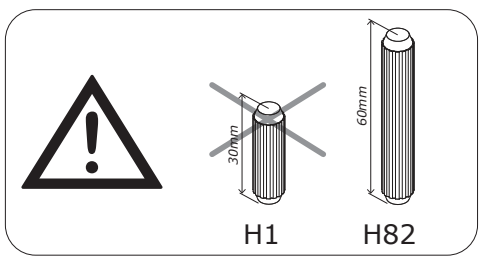
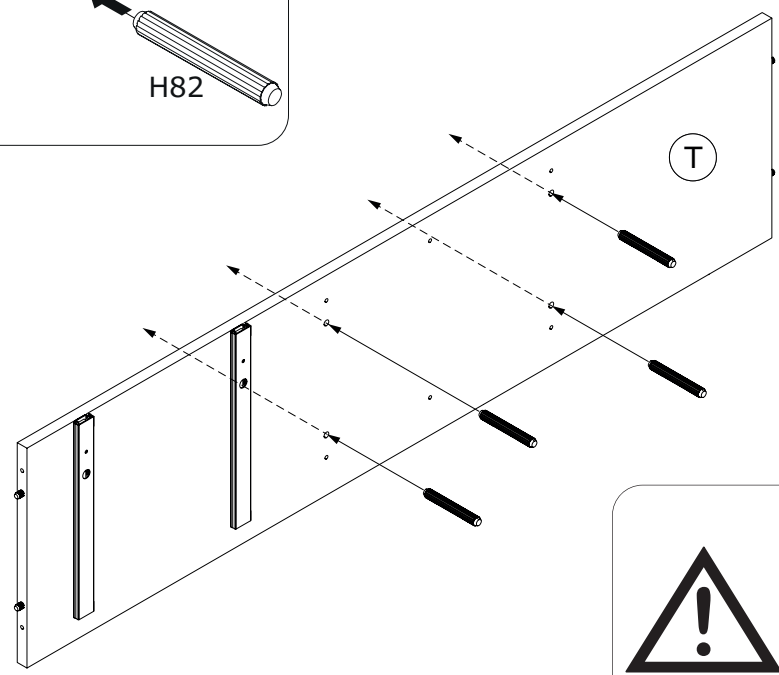
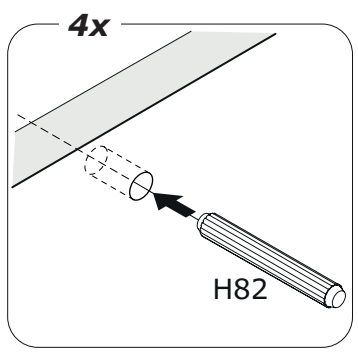
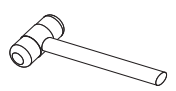
8



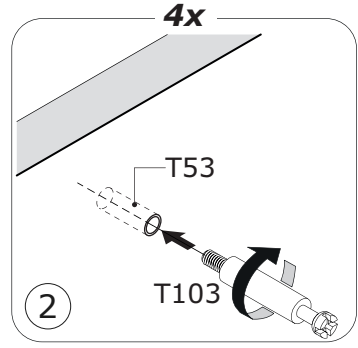
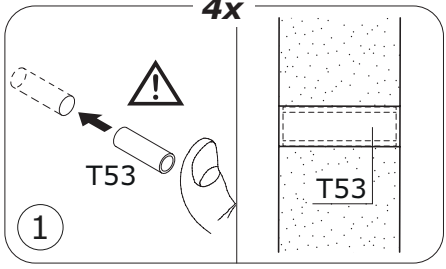
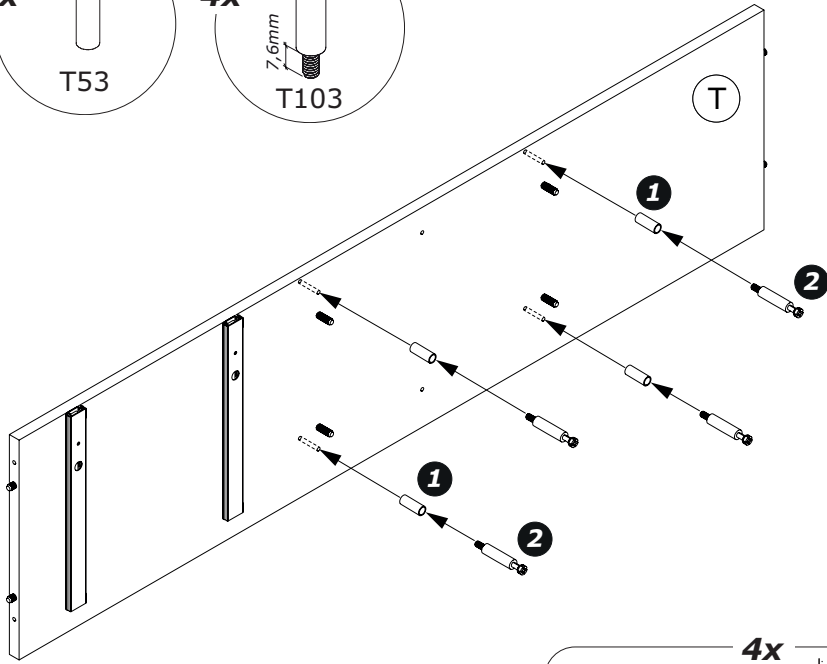
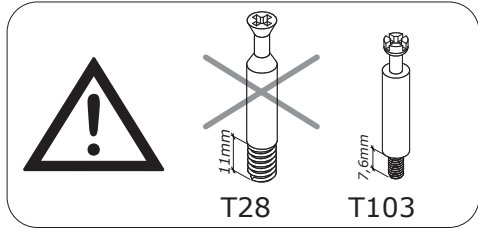
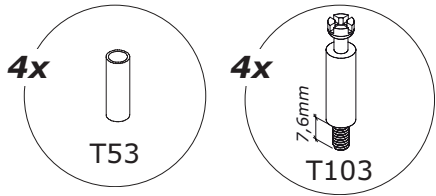
9



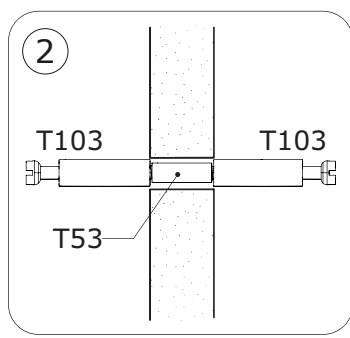
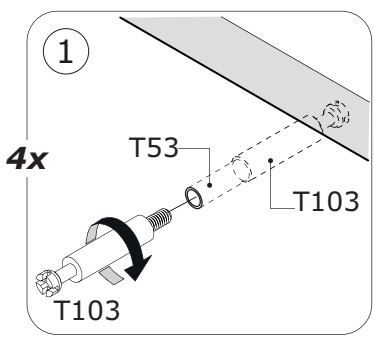
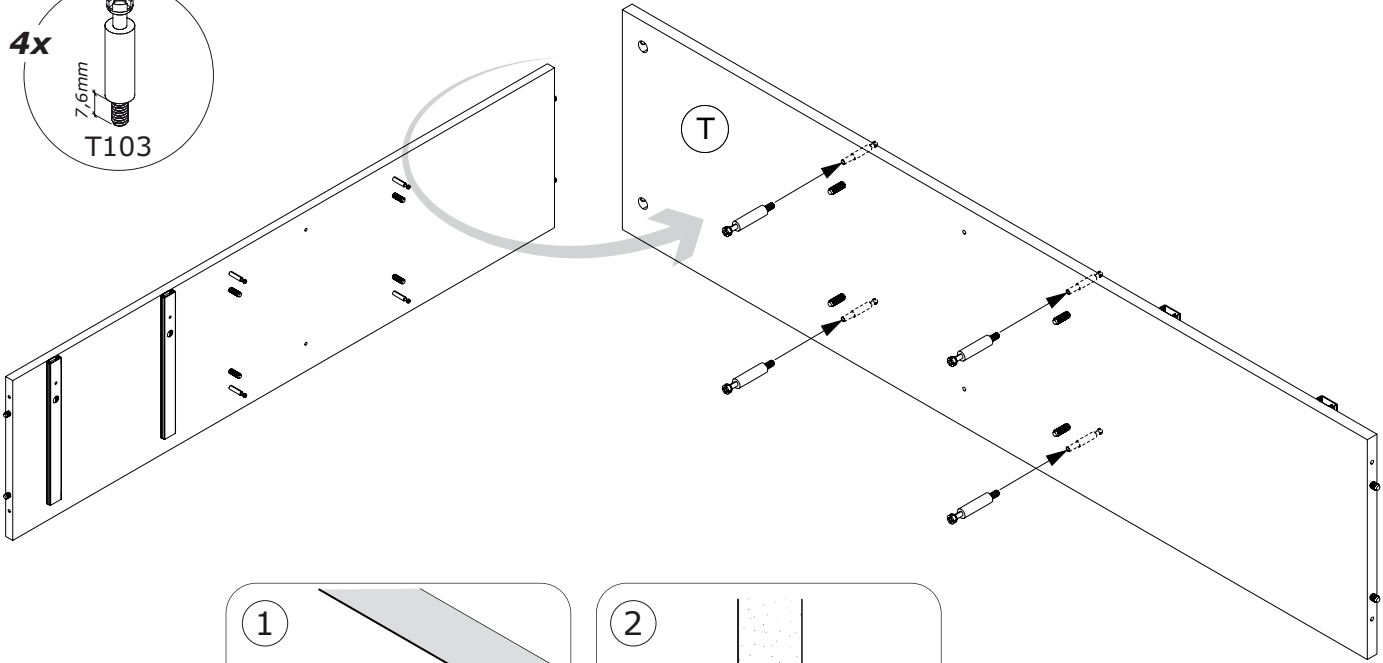
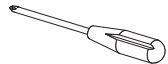
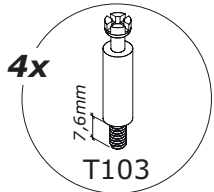
10



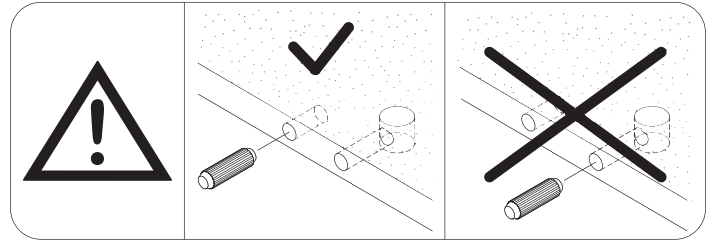
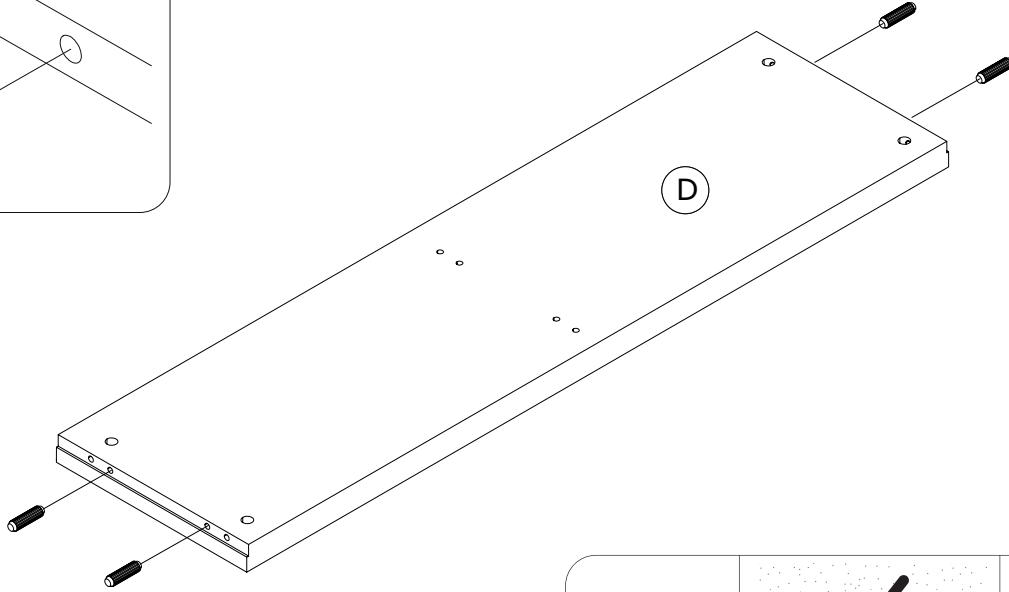
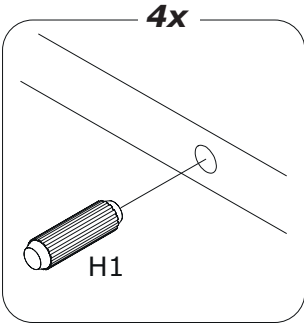
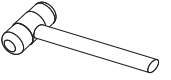
11



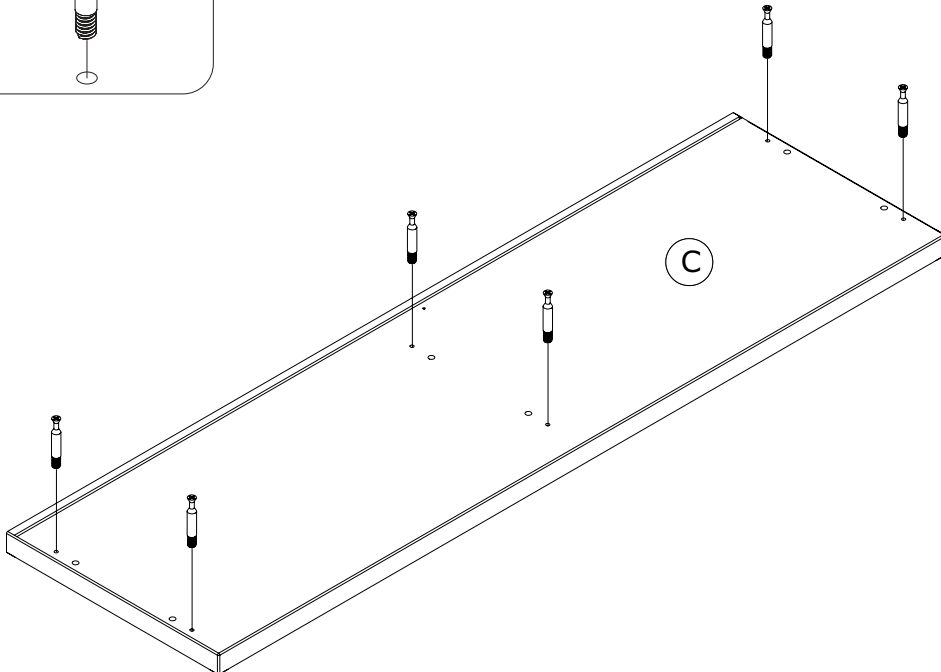
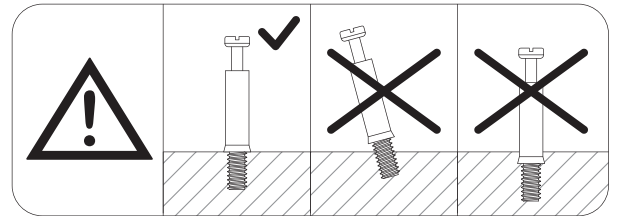
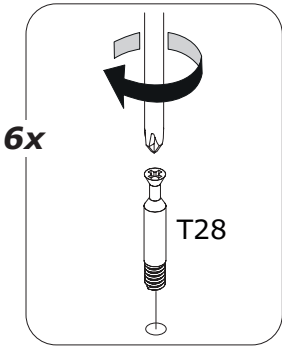
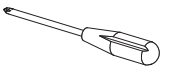
12



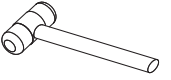
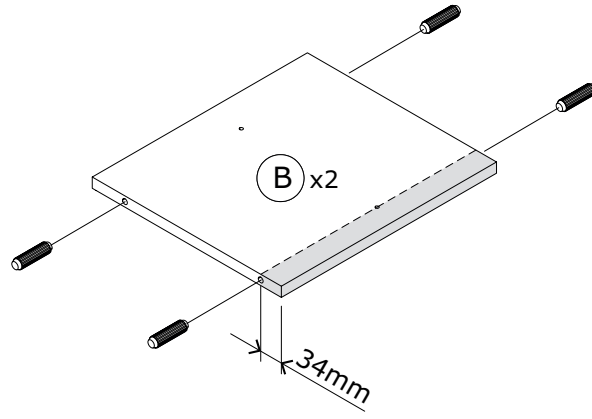
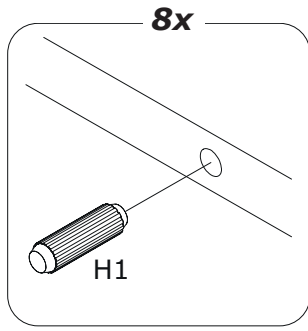
13



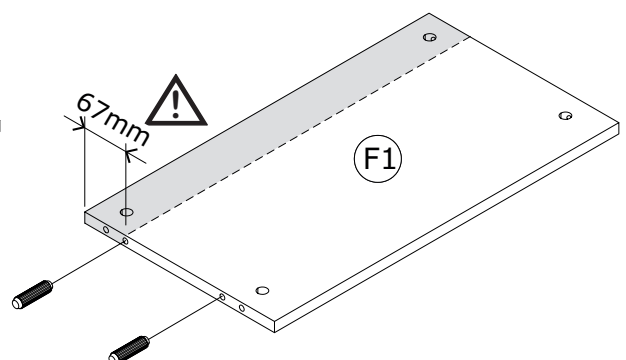
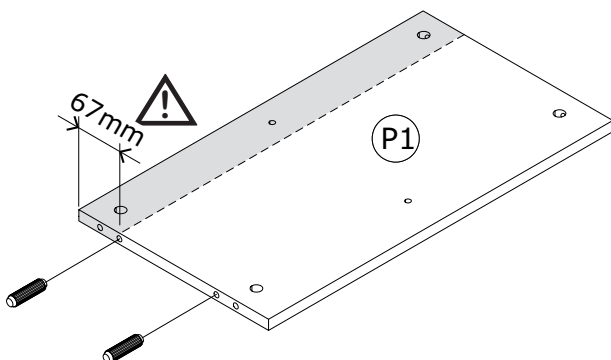
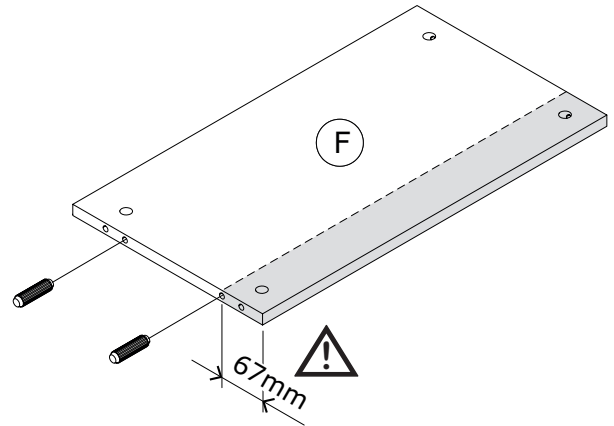
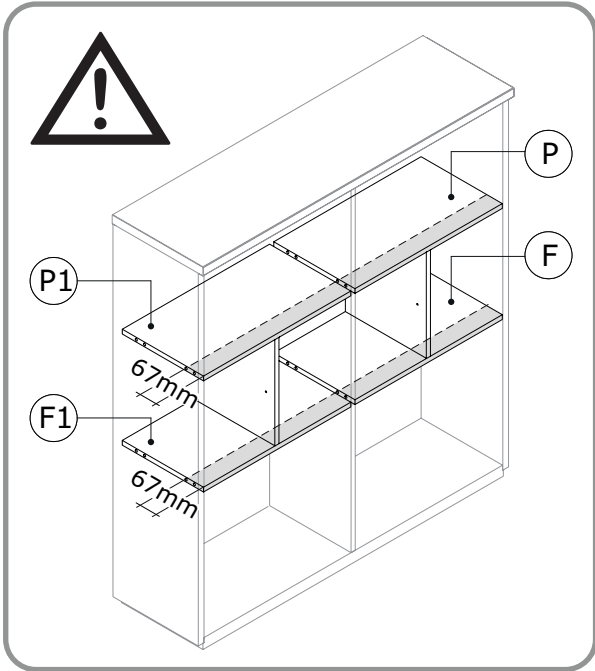
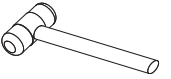
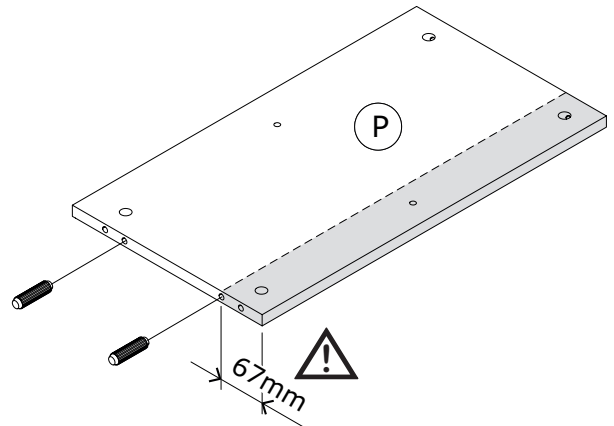
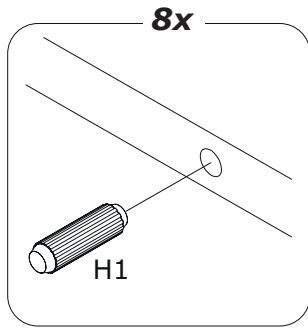
14

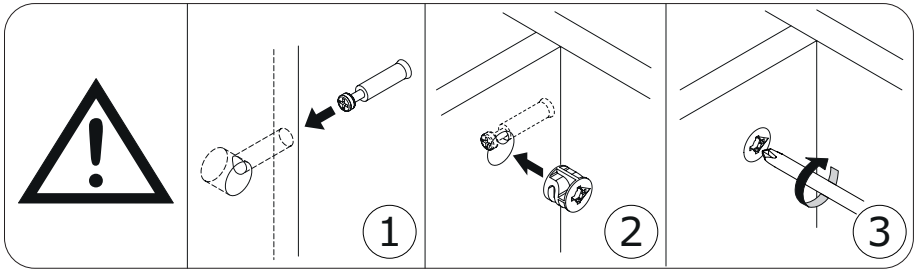
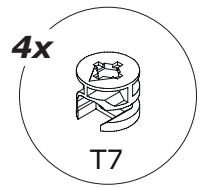
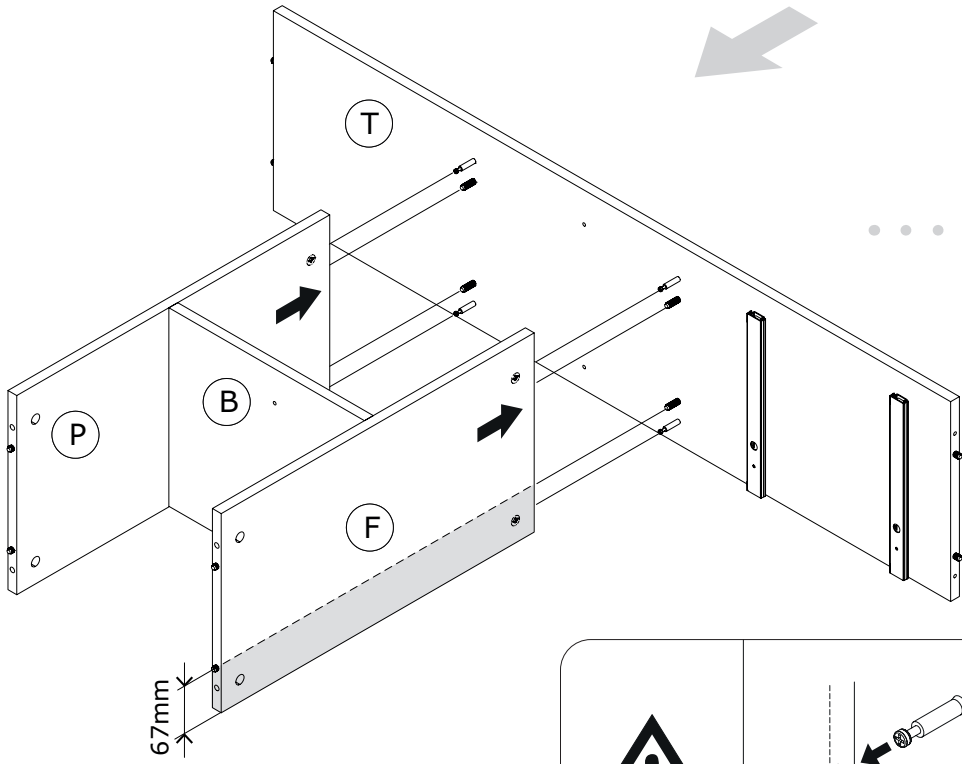
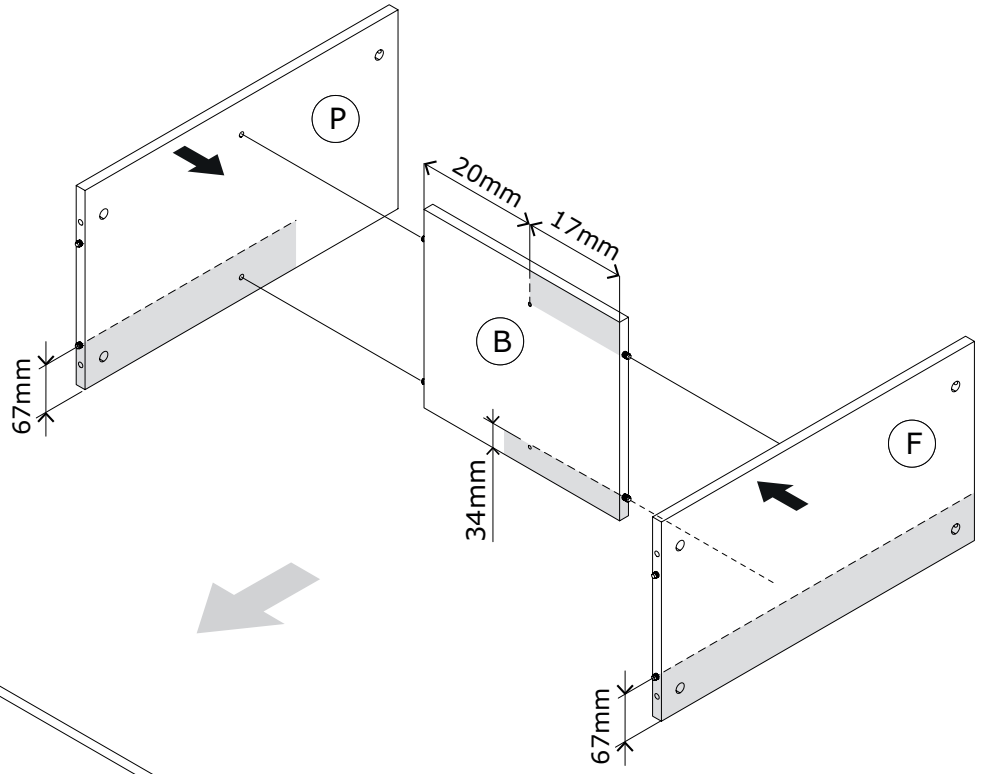
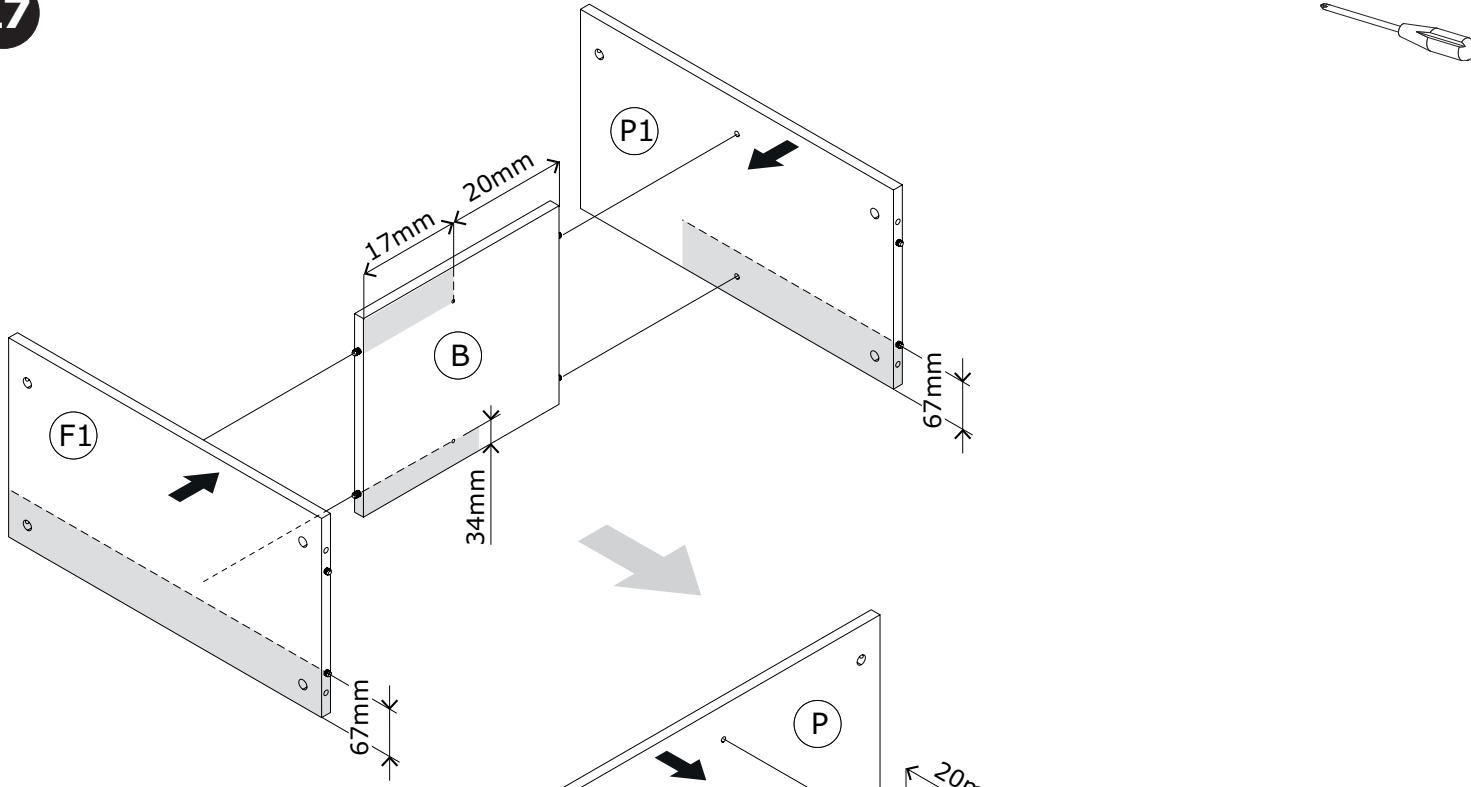
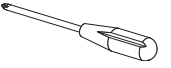


15

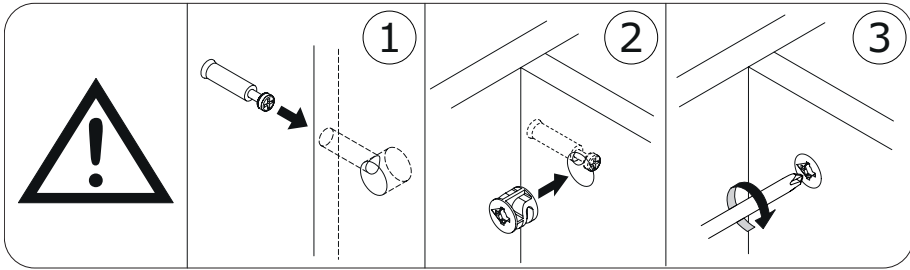
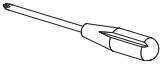
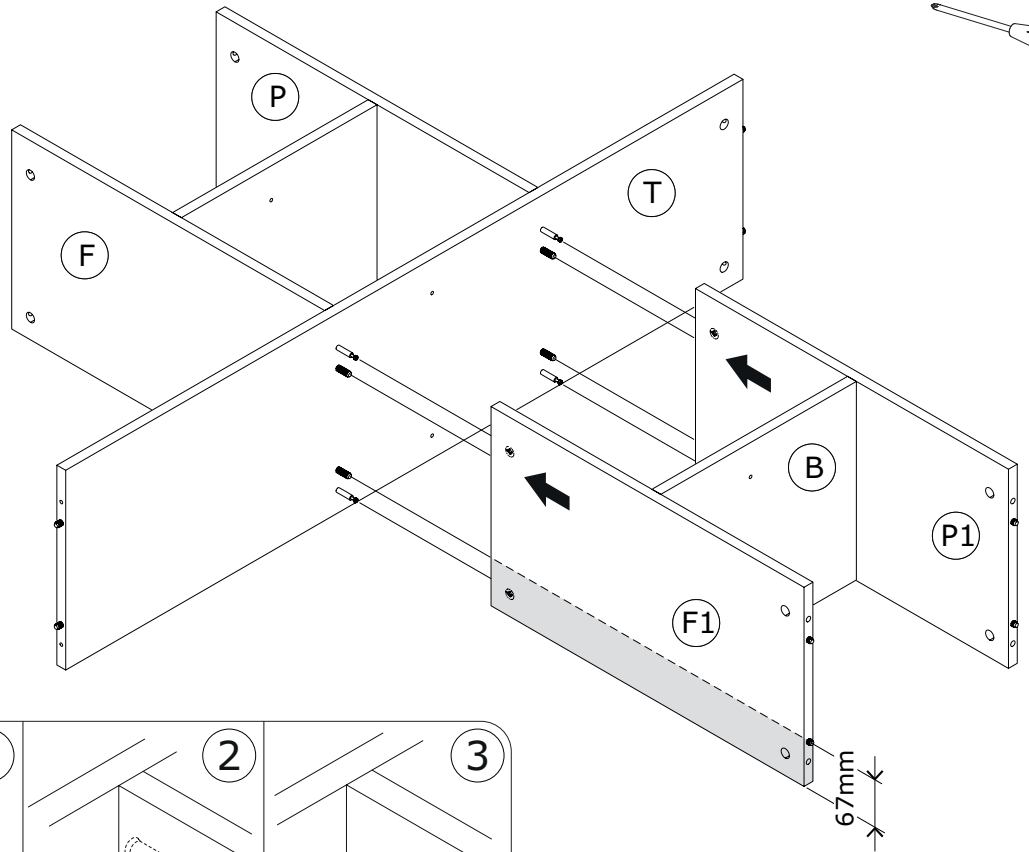
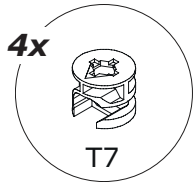


16

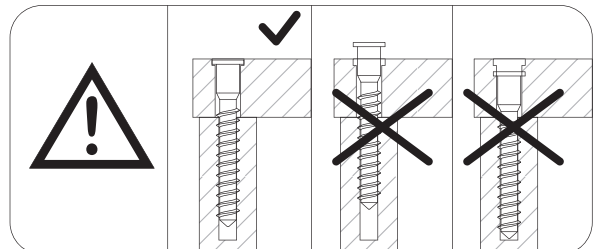
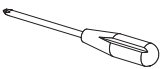
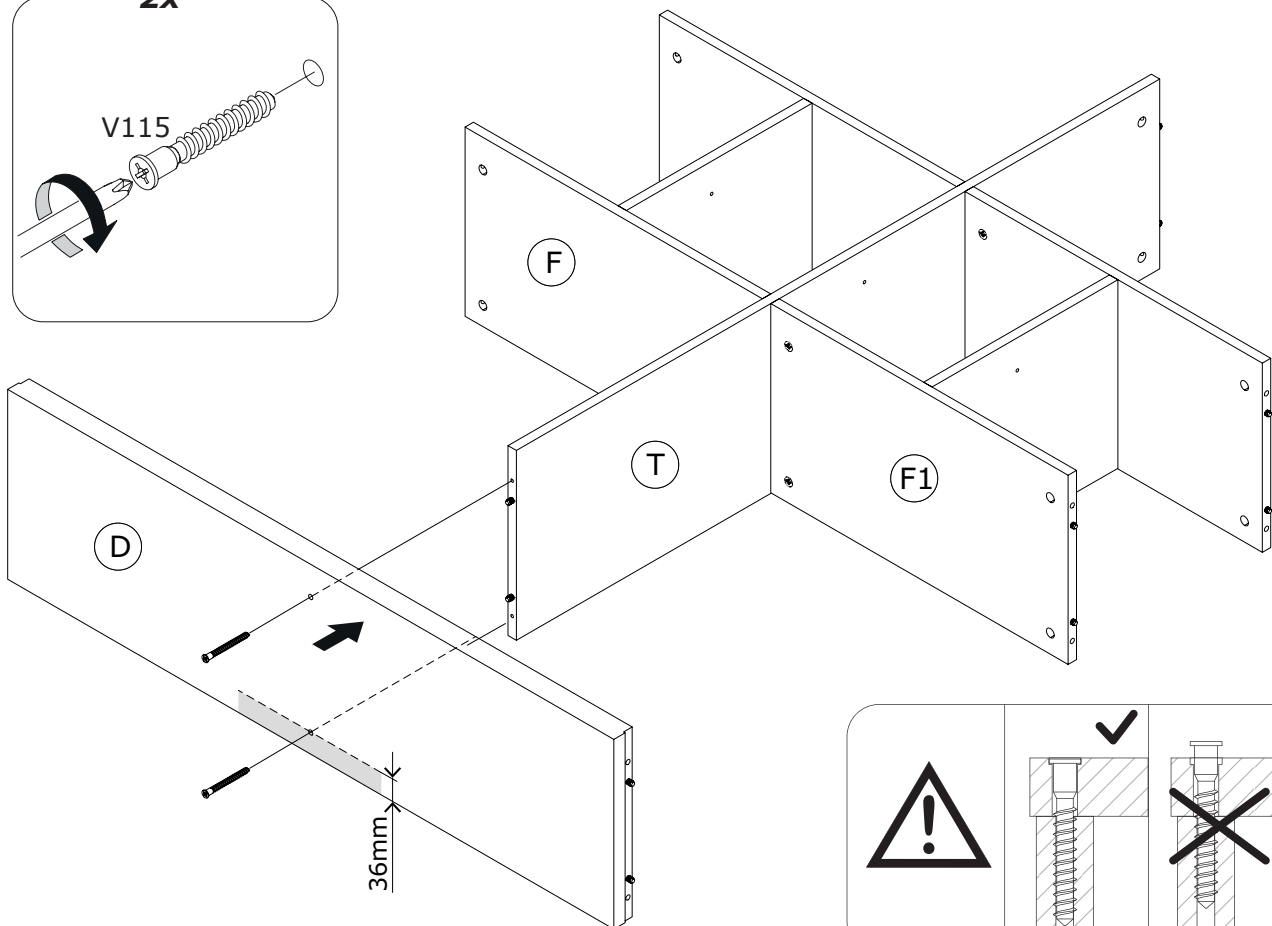
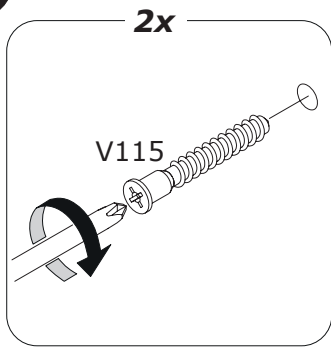


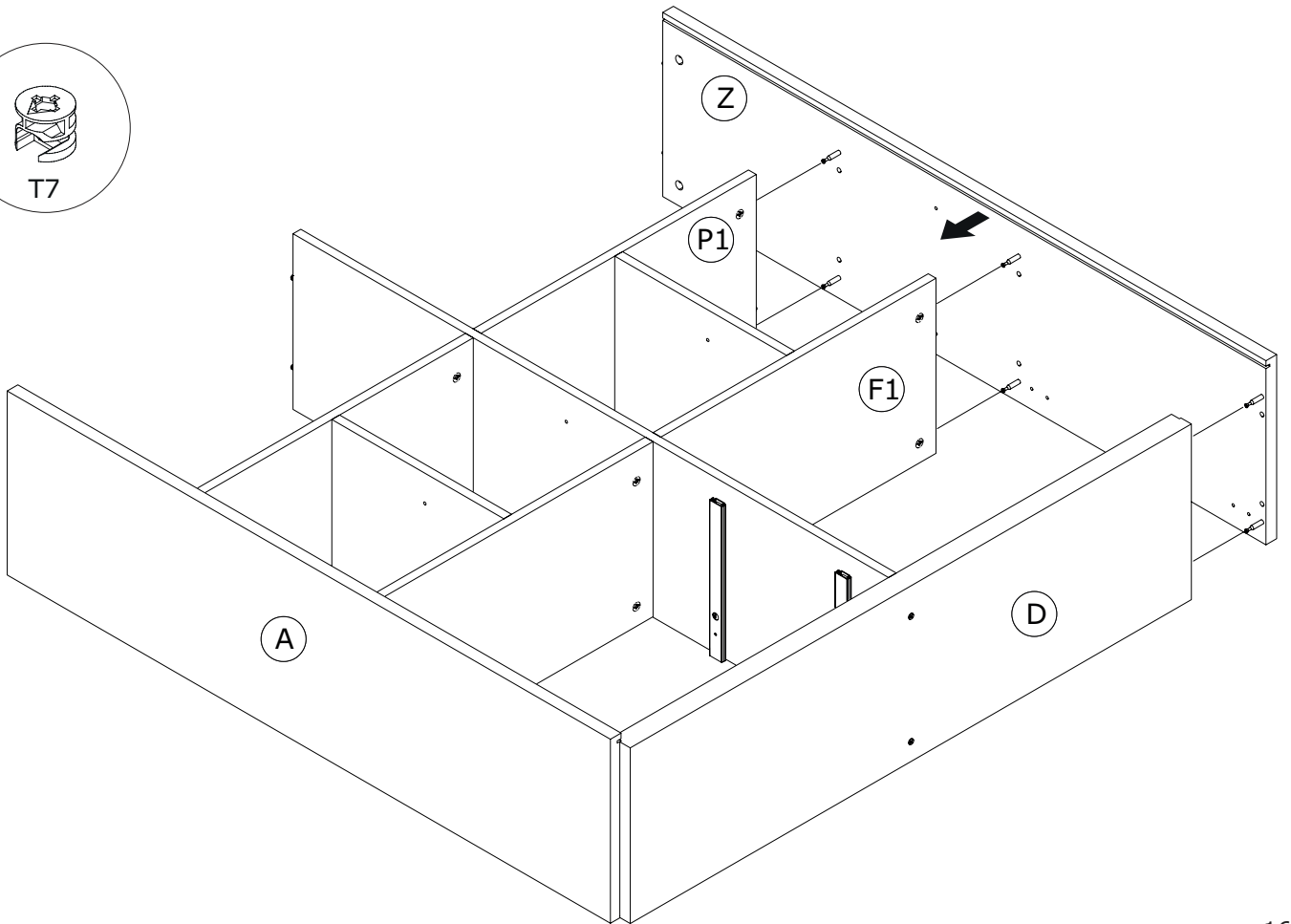
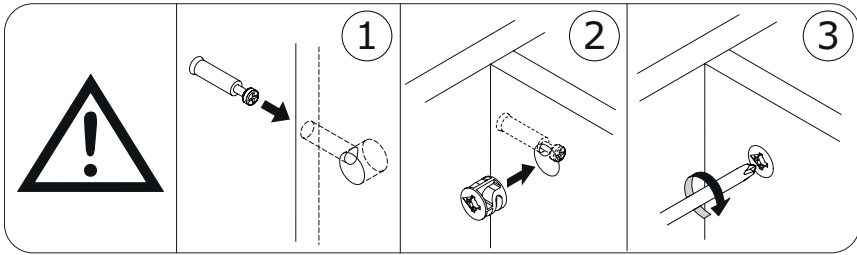
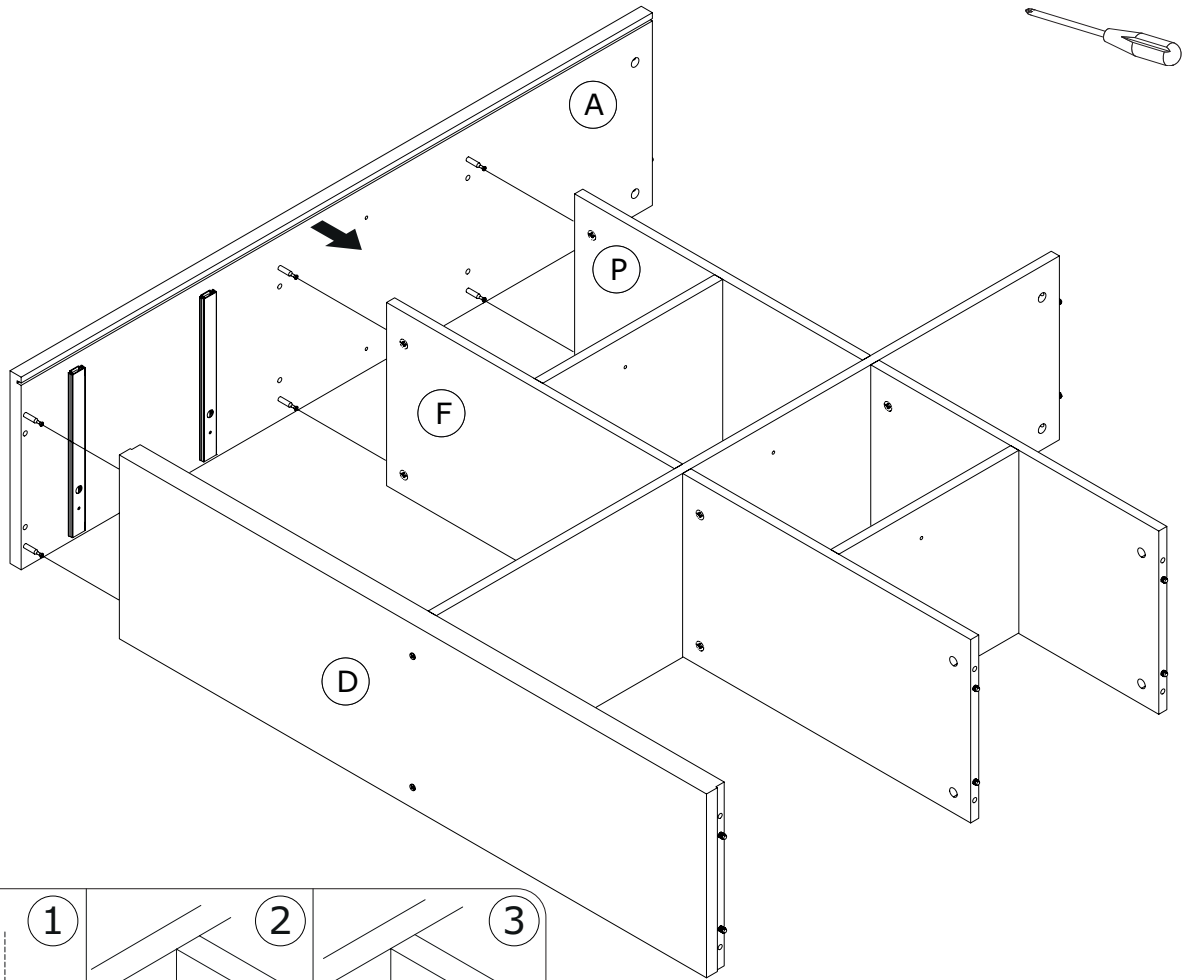


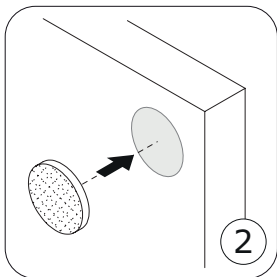
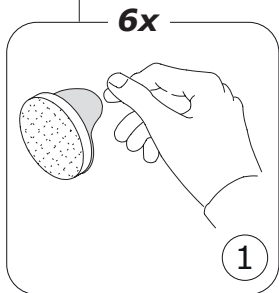
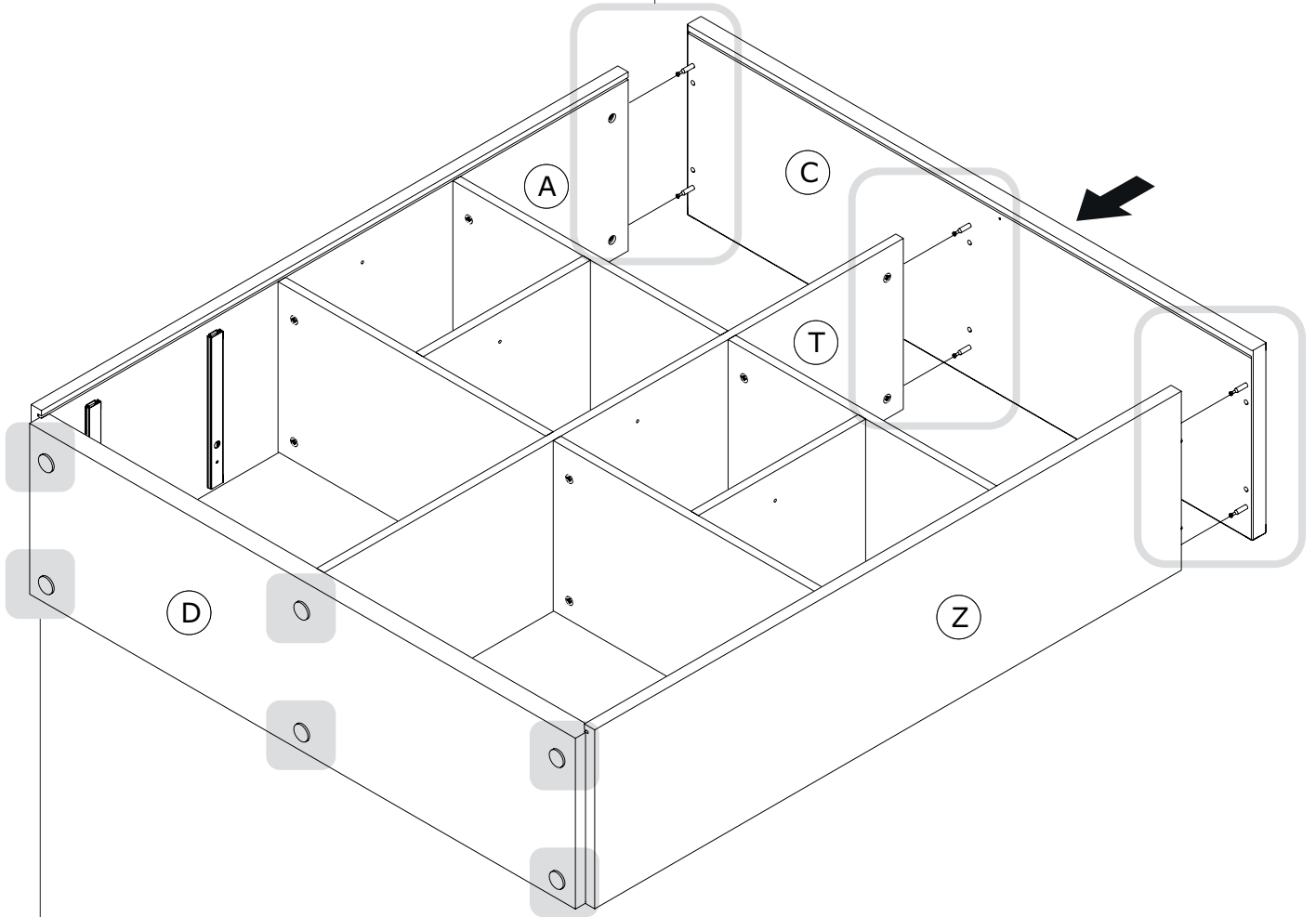
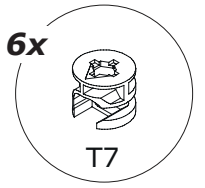
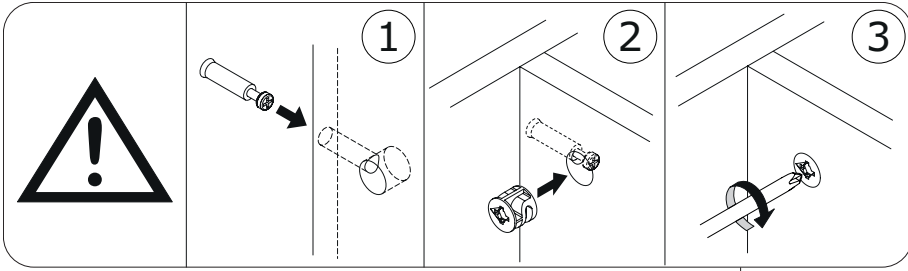
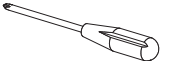
18

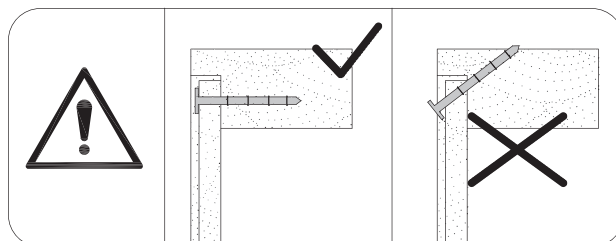
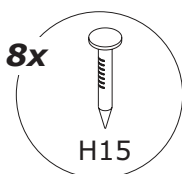
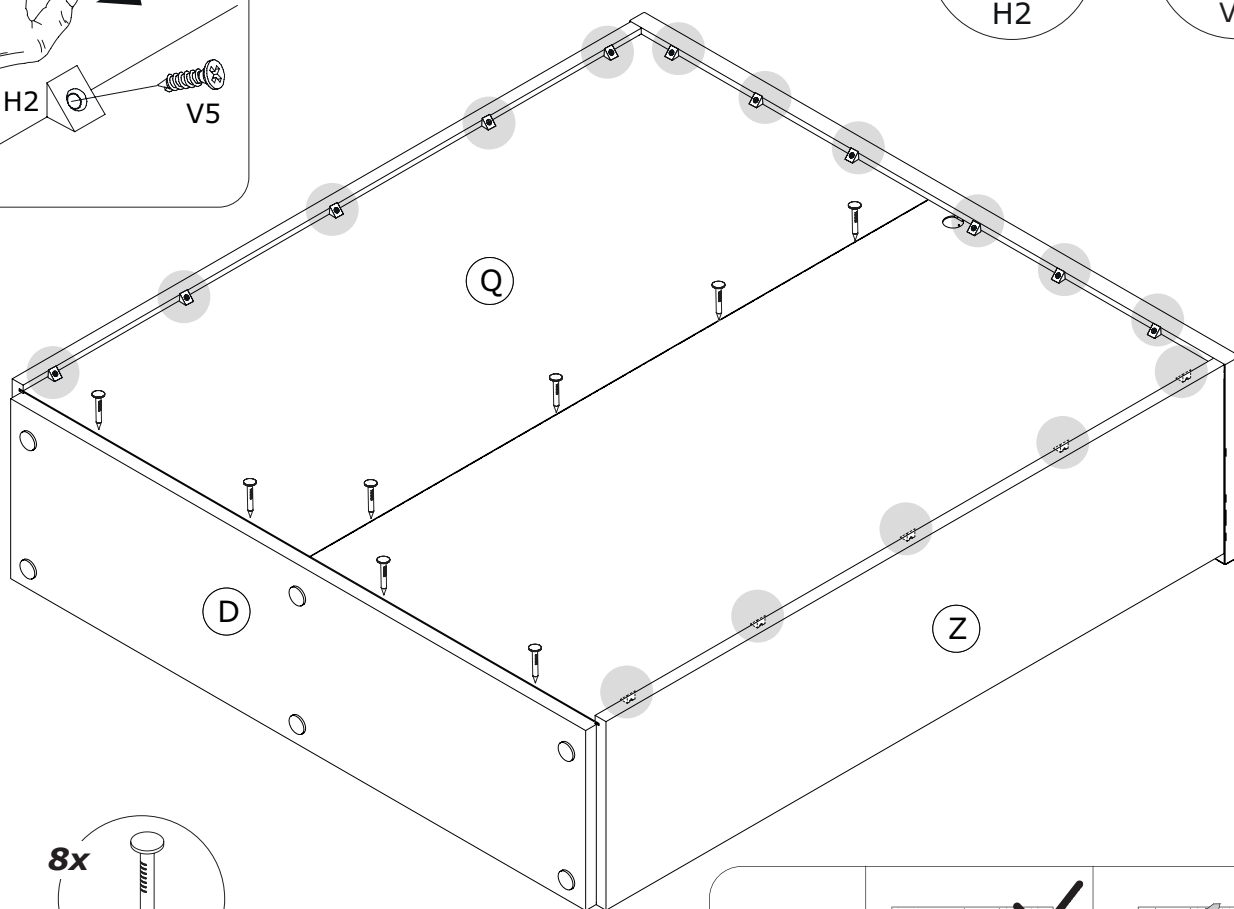
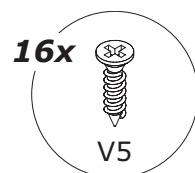
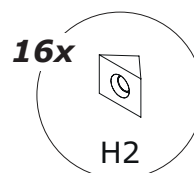
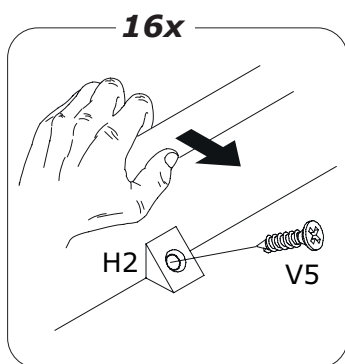
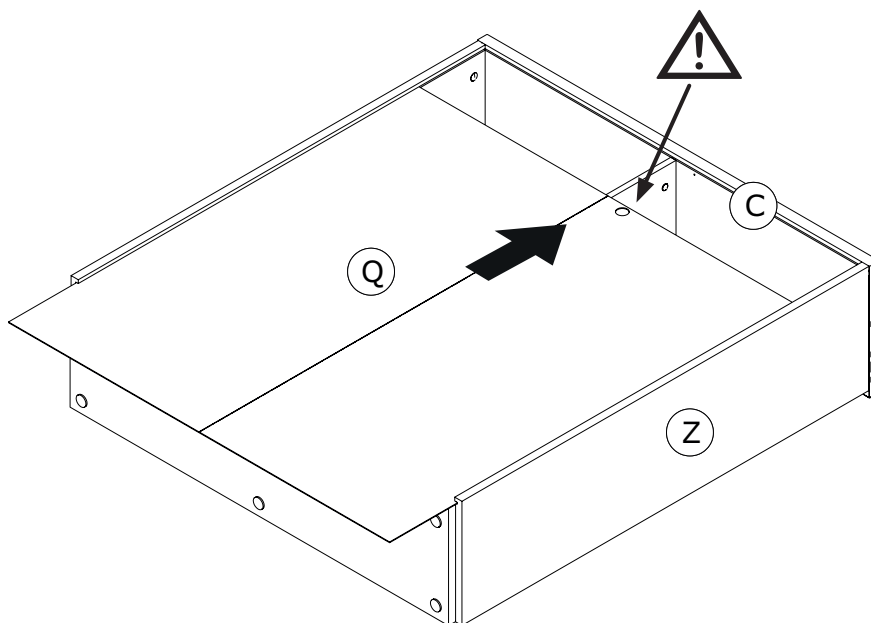
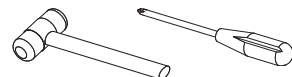


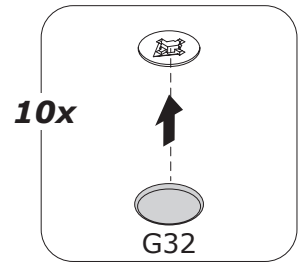
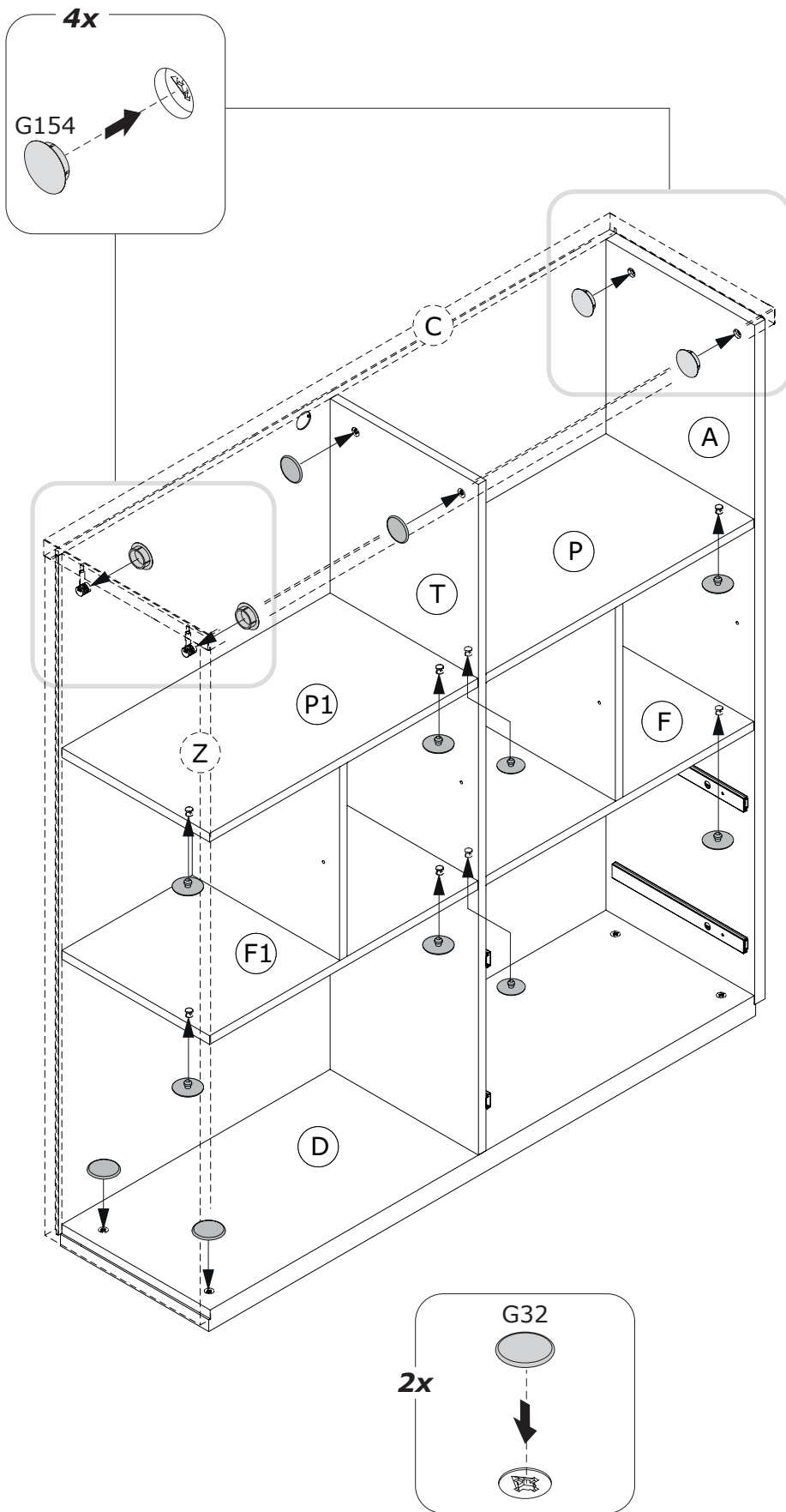
19

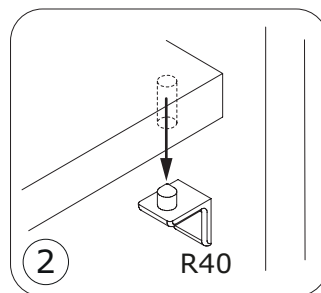
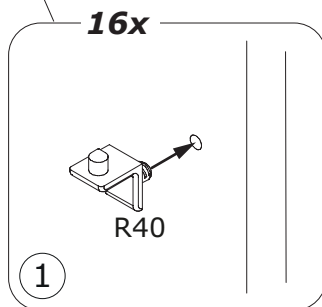
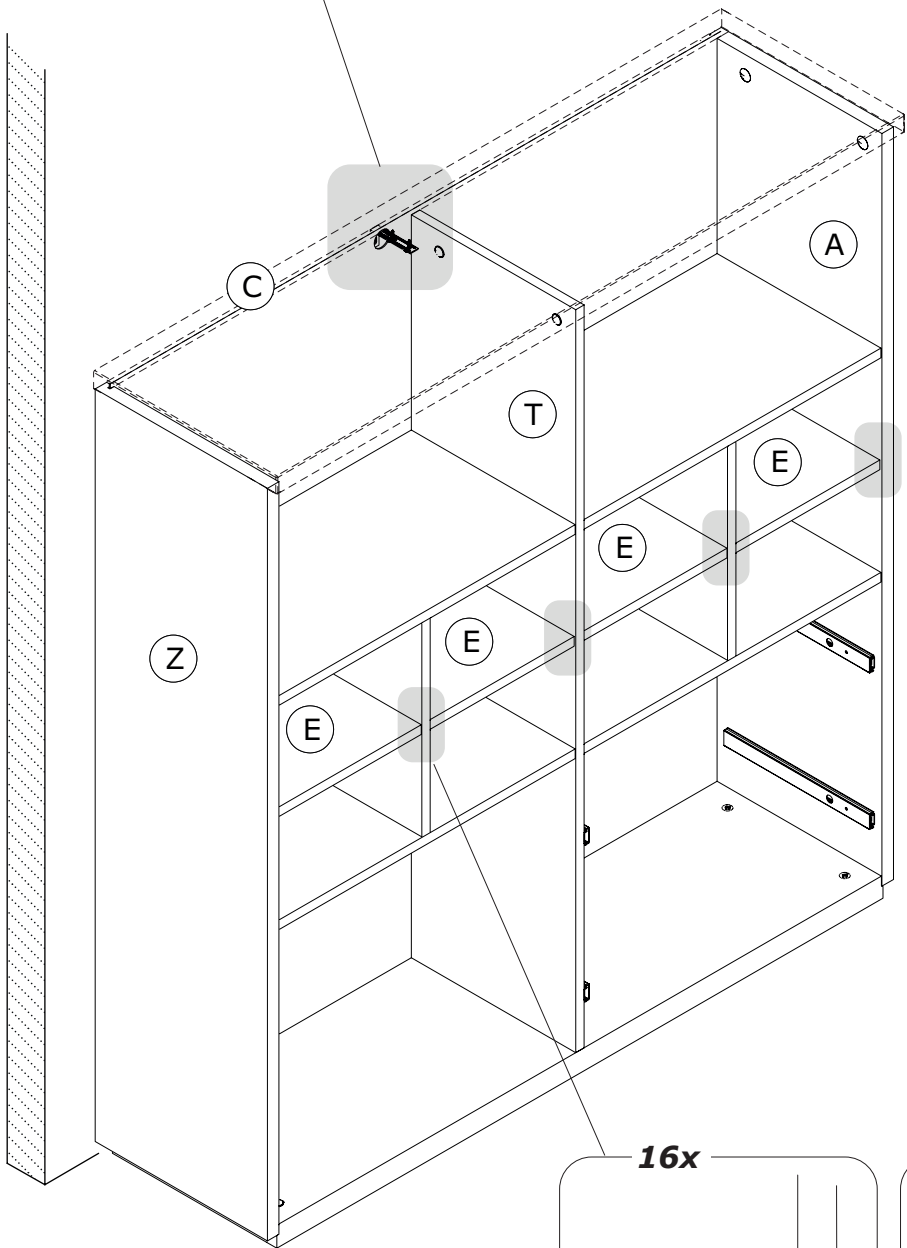
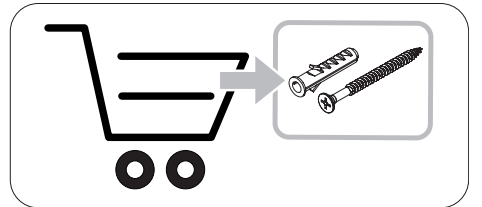
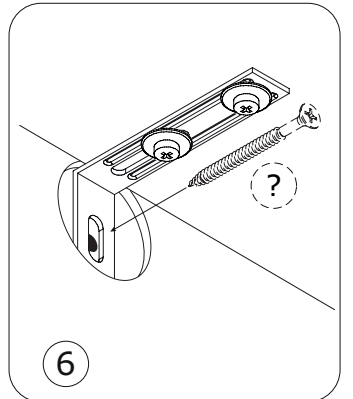
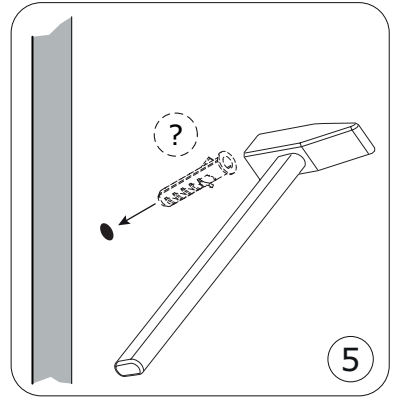
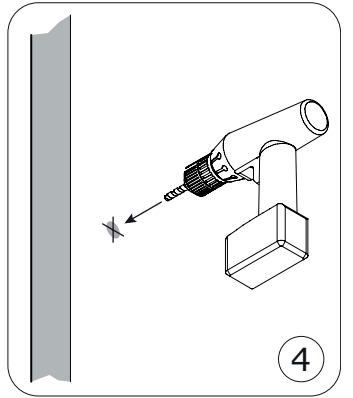
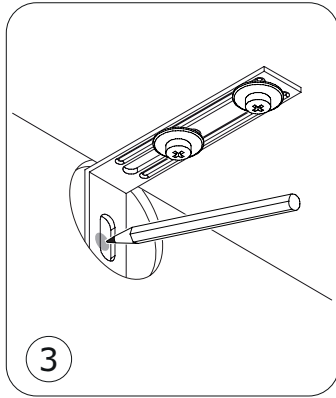
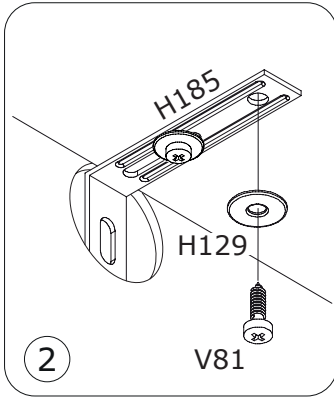
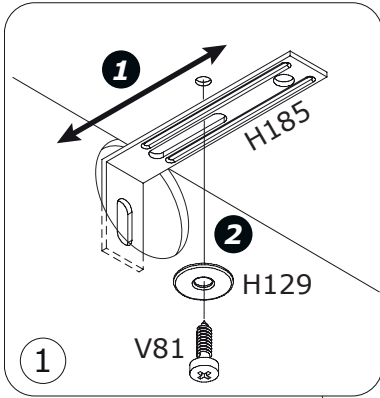
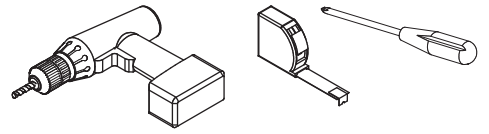


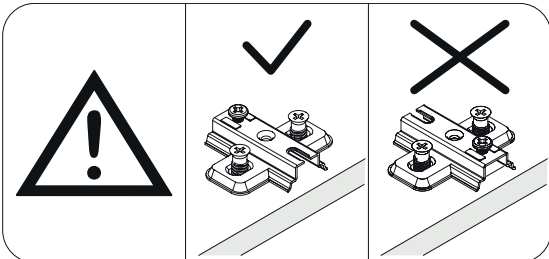
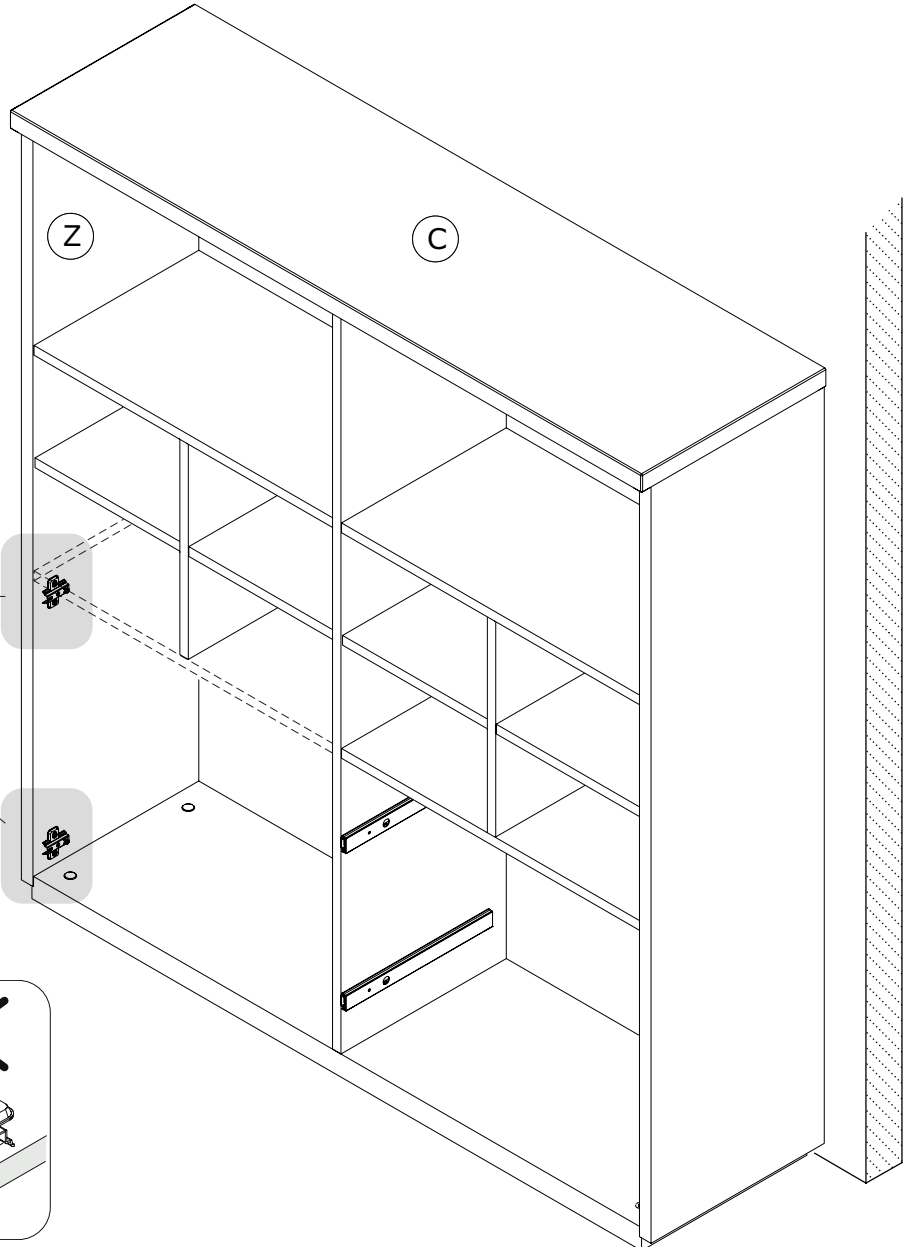
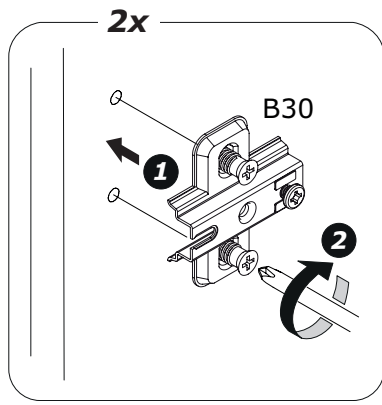
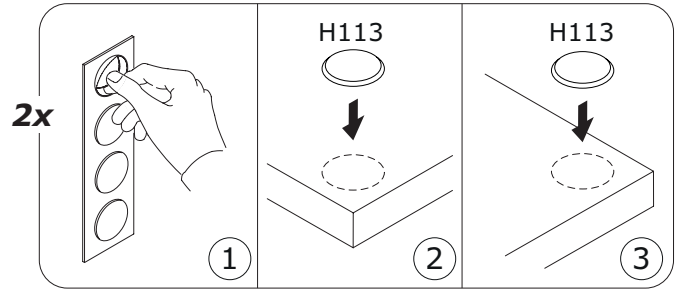
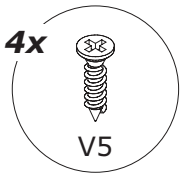
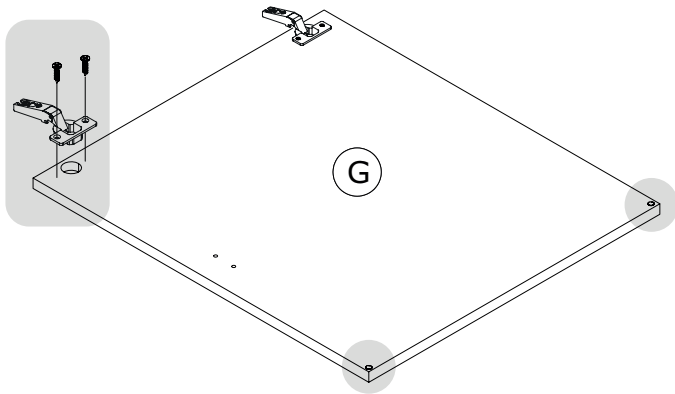
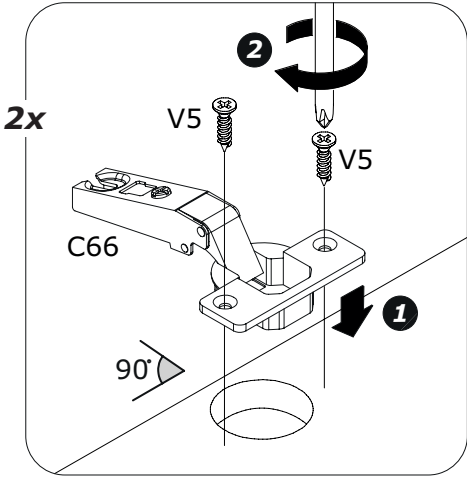
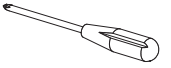


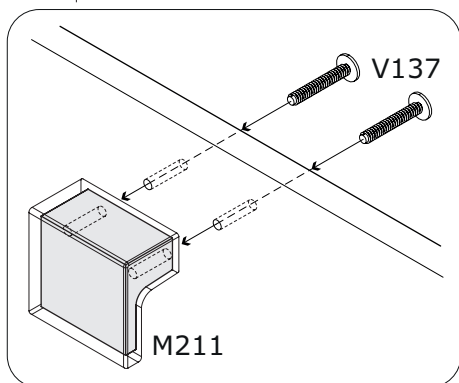
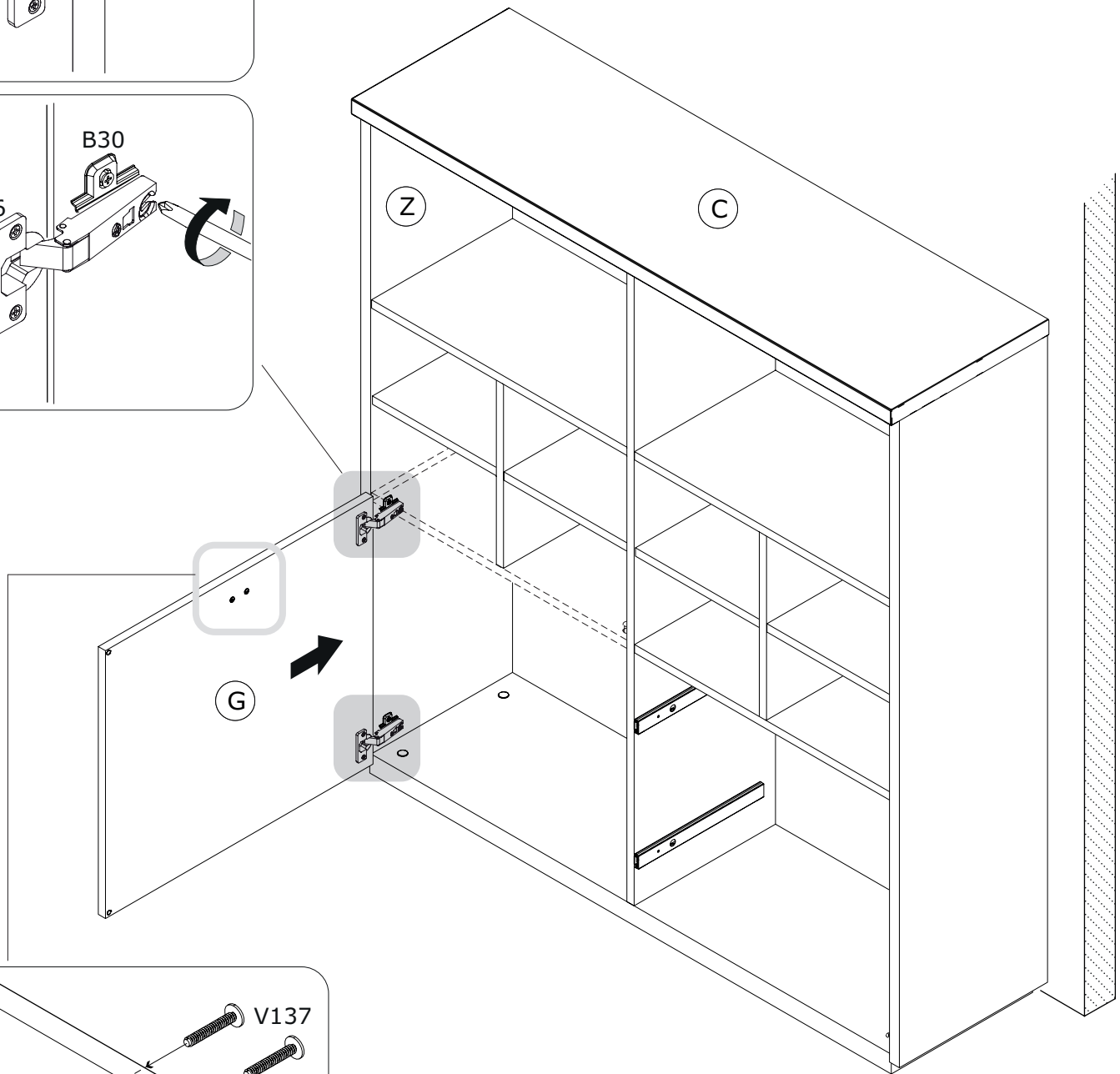
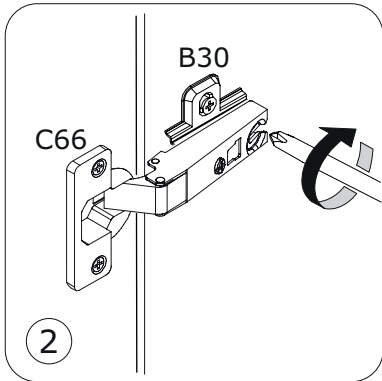
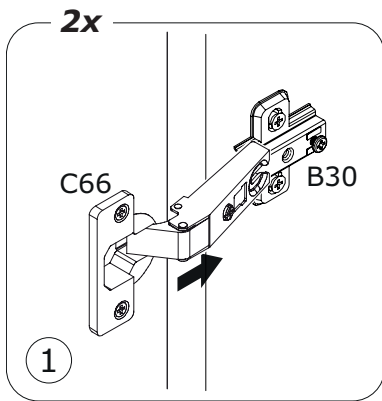
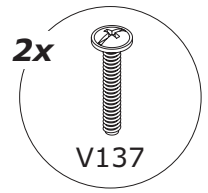
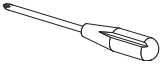


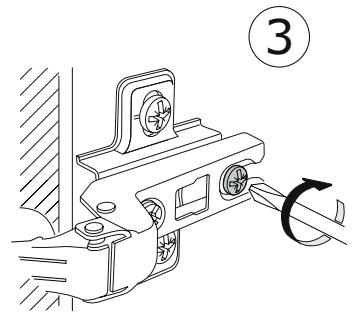
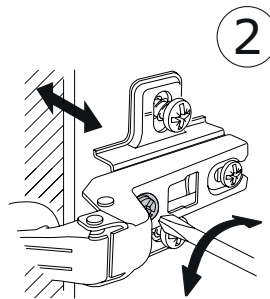
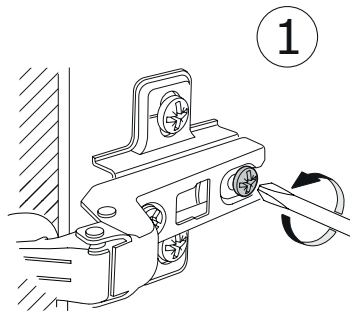
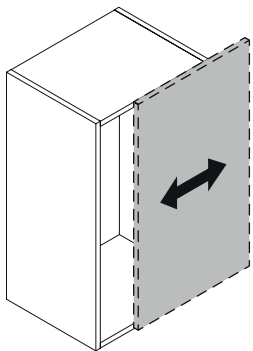
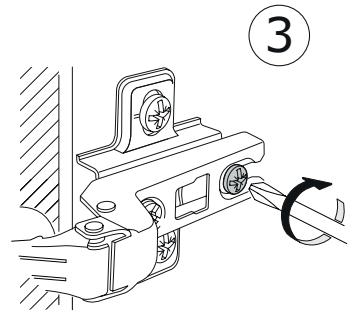
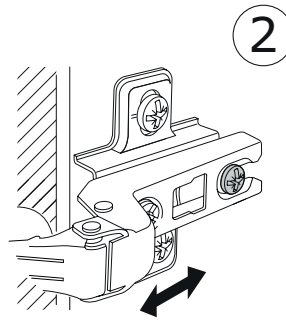
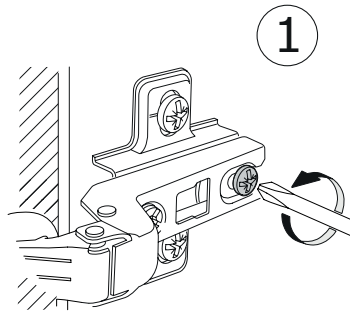
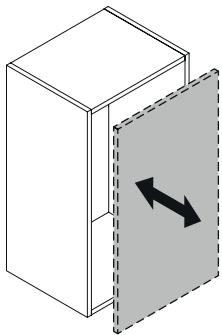
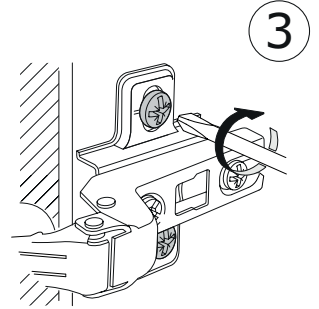
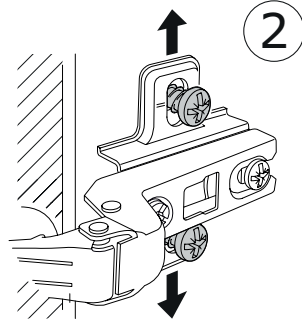
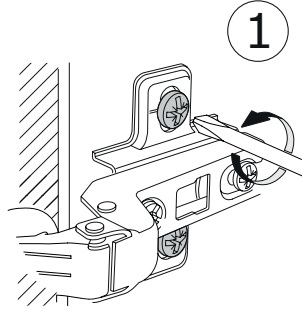
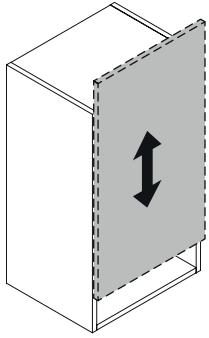
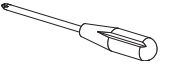




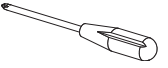




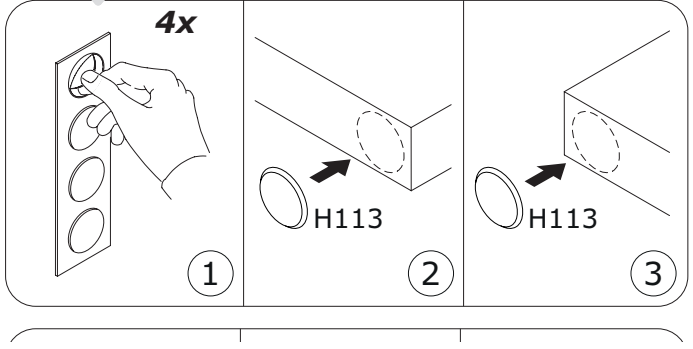
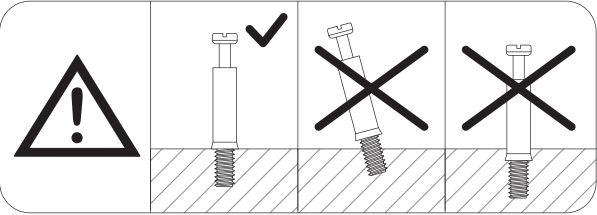
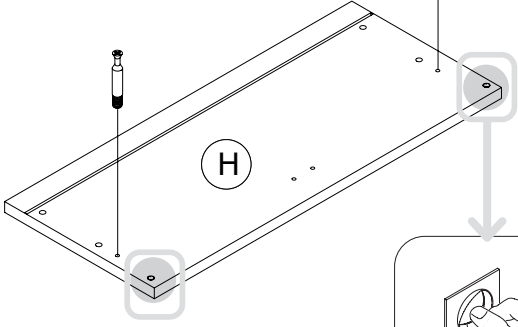
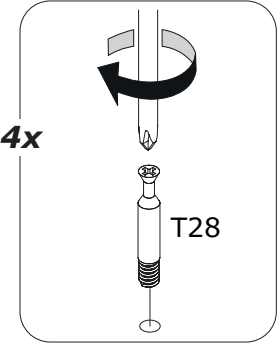




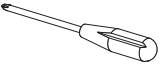
28



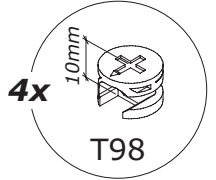
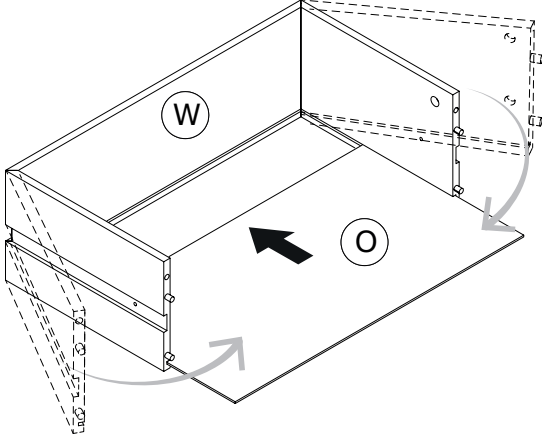
x2



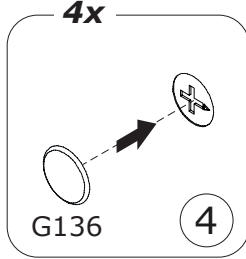
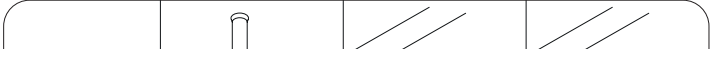
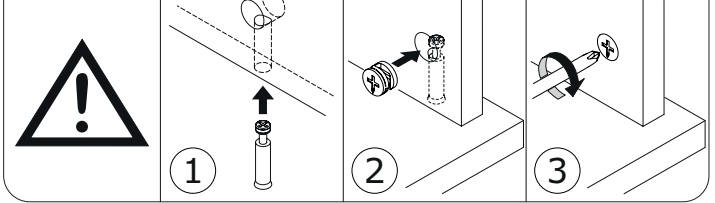
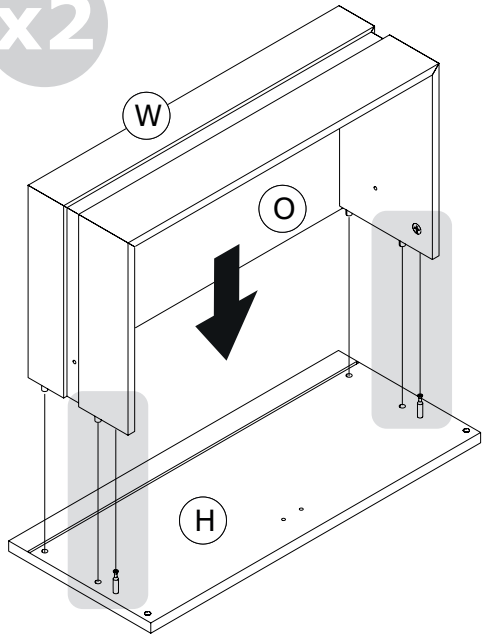
29



x2

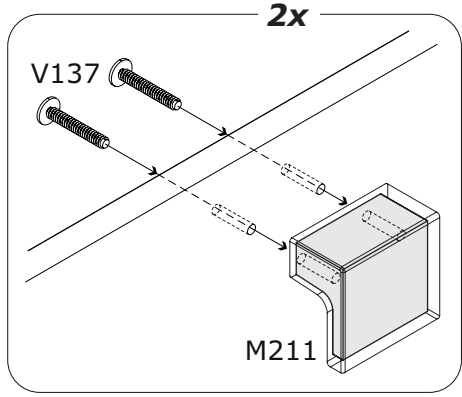
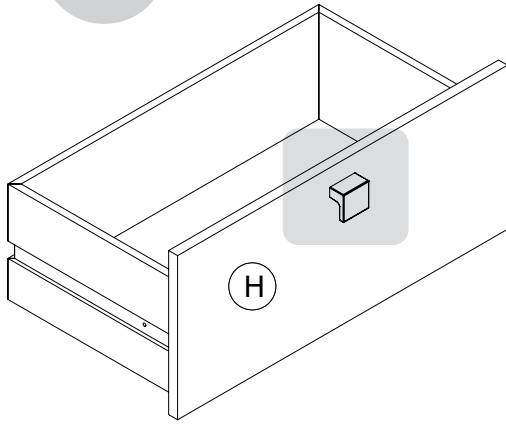


x2

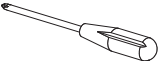
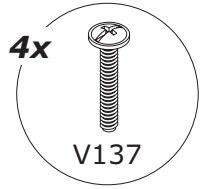


30

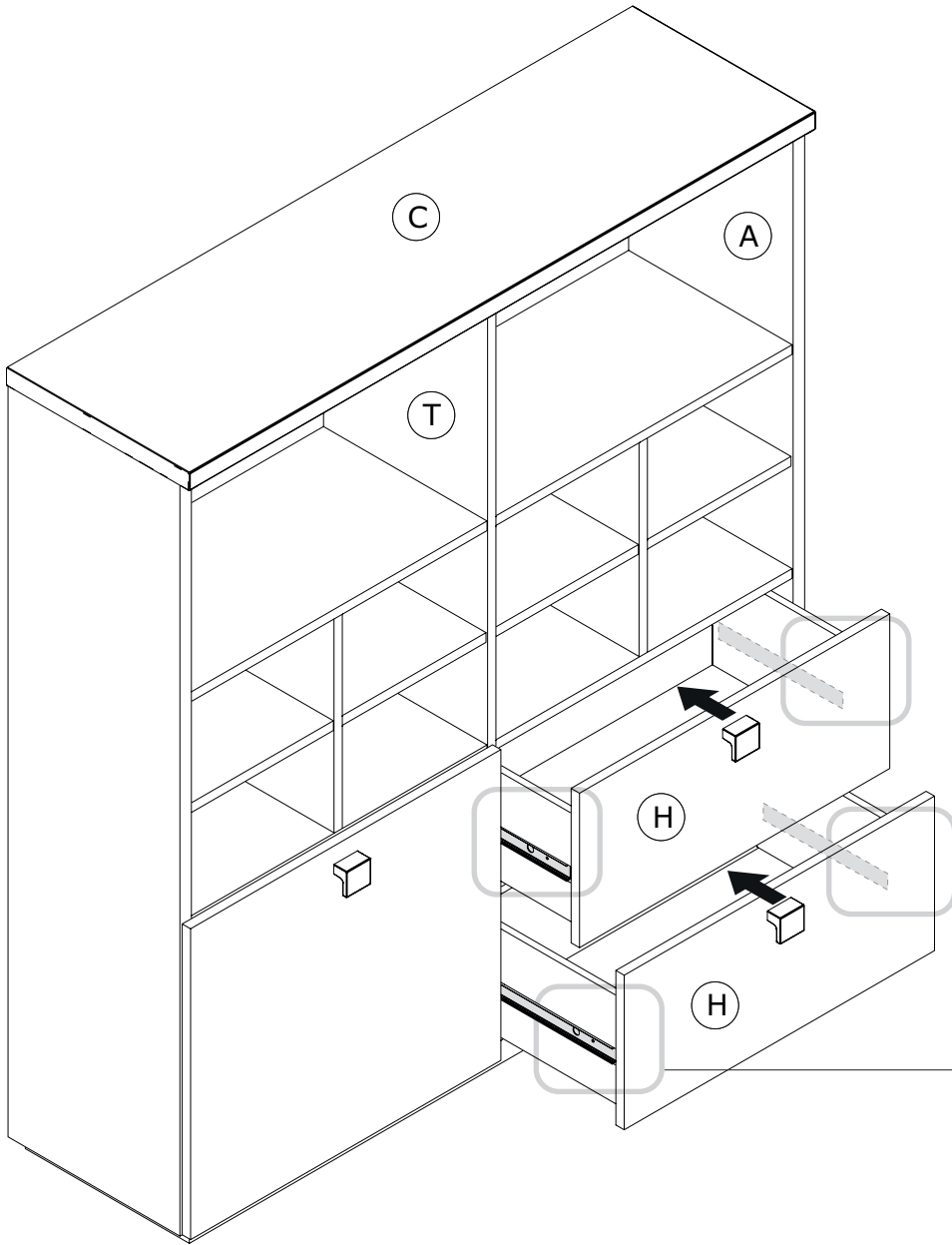
x2



4x



31



4x

