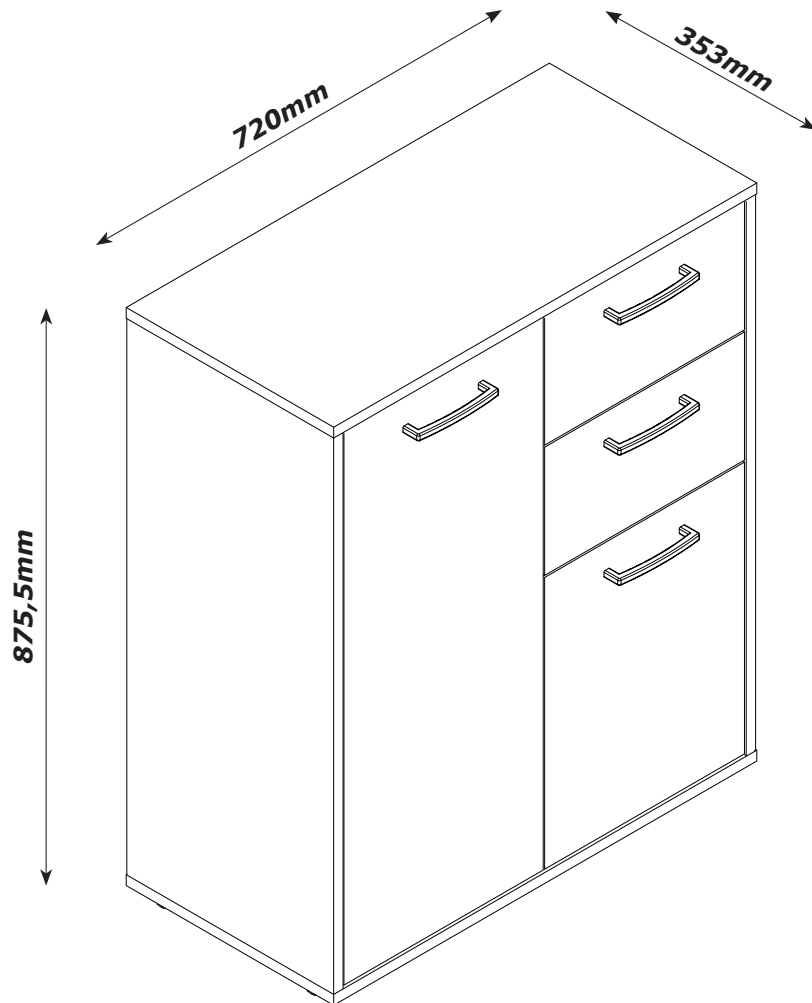
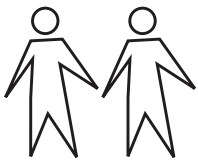


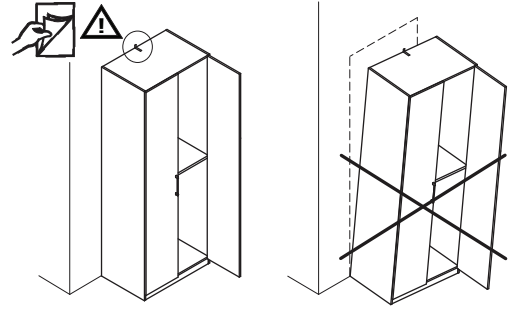
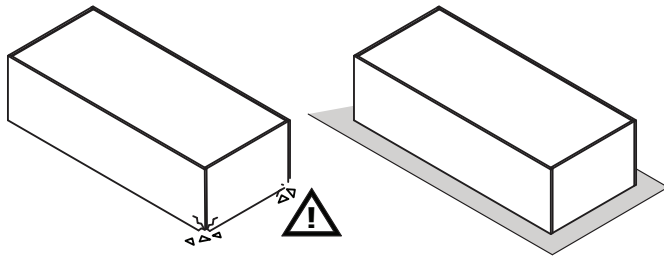
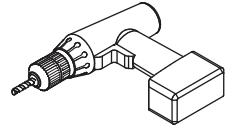
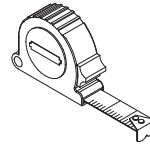
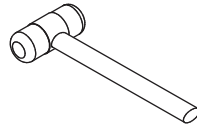
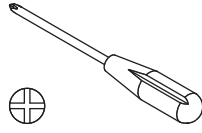
BS4083K56204



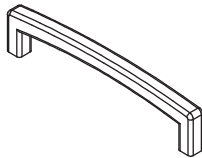
QF5679



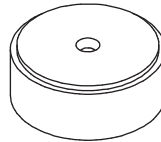
1,5h



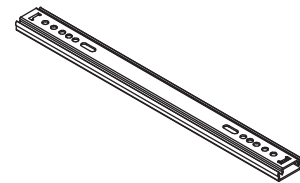
BU4835



M72
x4

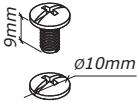


P5
x4

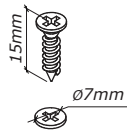


A47
x4

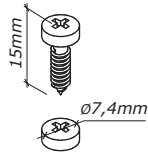
BU4811



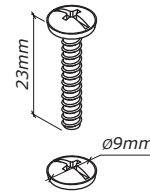
V38
x4



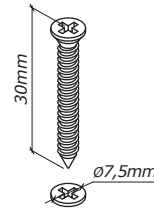
V5
x22



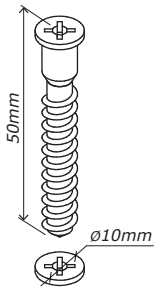
V81
x2



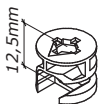
V25
x8



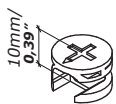
V9
x4



V45
x6



T7
x6



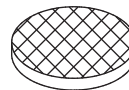
T98
x4



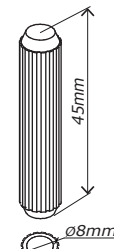
H54
x8



H2
x14



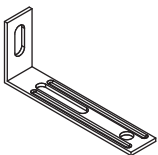
H139
x4



H325
x12



T28
x10



H185
x1



H129
x2



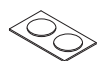
H113
x6



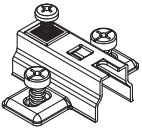
R40
x4



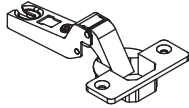
G136
x4



G183
x2



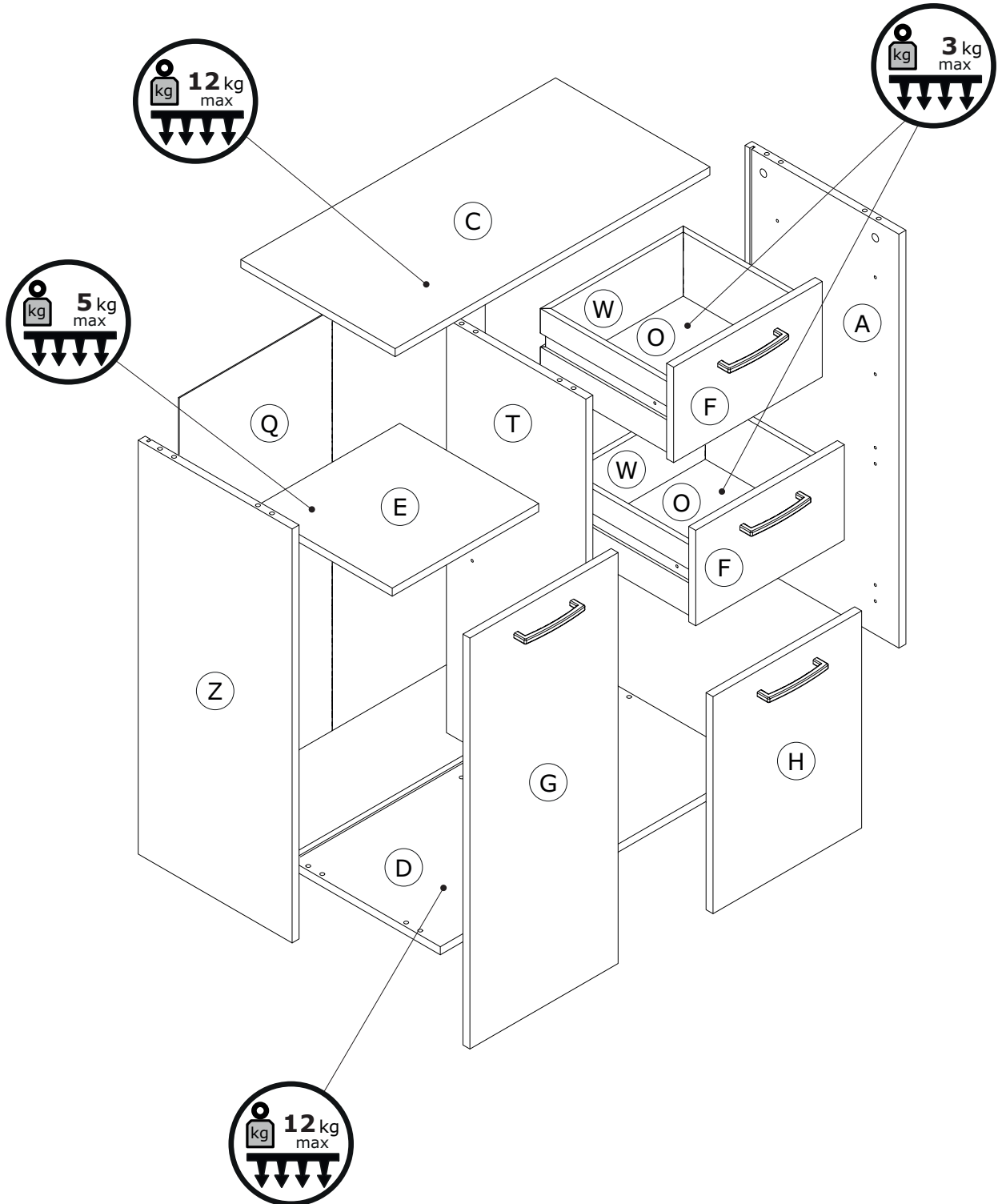
B31
x4

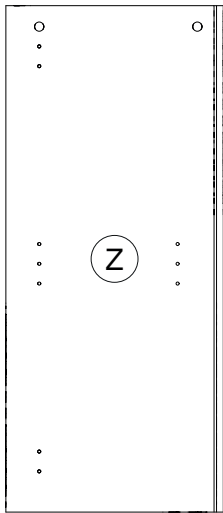


C55
x4

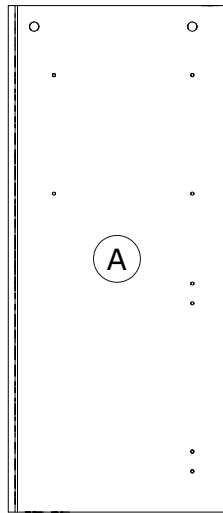


V5
x8

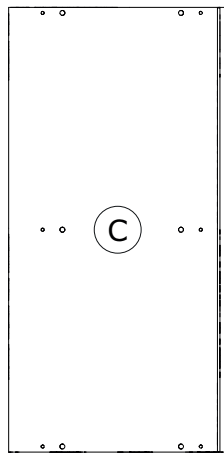




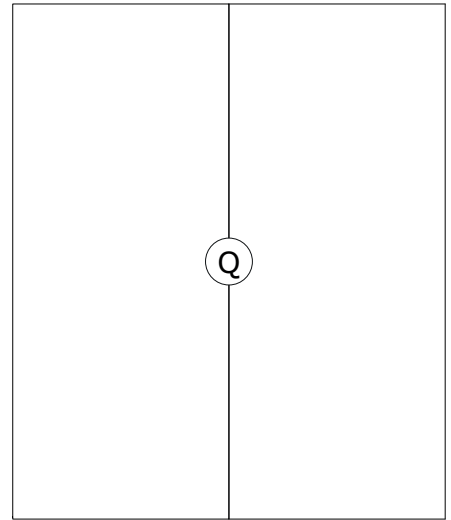
FI9134
820x352x16mm



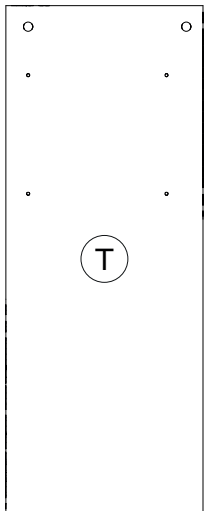
FI9135
820x352x16mm



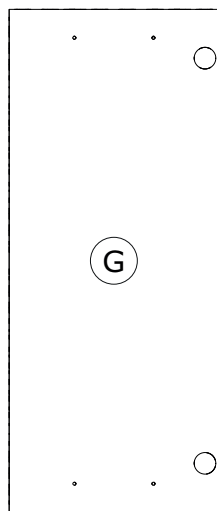
CA3811
720x353x16mm



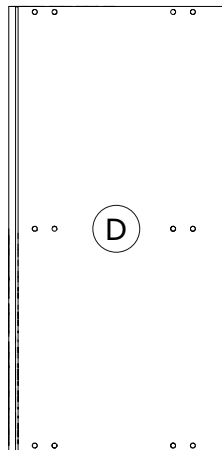
SH3619
834x700x2mm



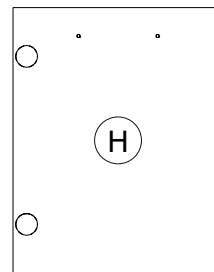
TR2427
820x319x16mm



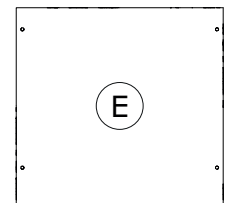
AN3121
814x339x16mm



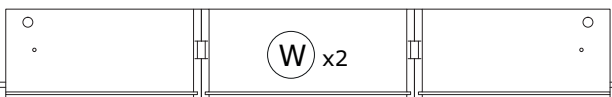
BA2337
720x353x16mm



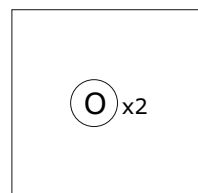
AN3122
430x340x16mm



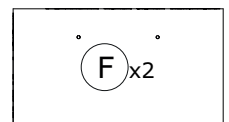
PI7446
335x318x16mm



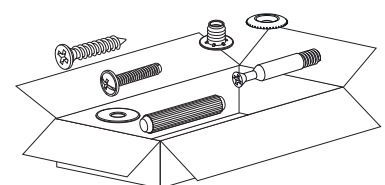
OF0643
300x327x300mm H.140mm



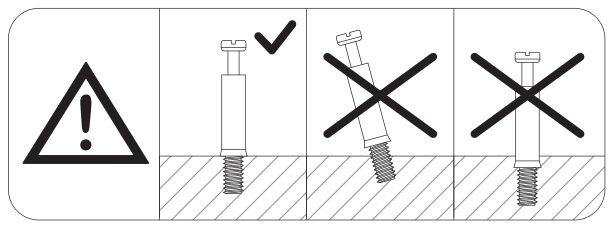
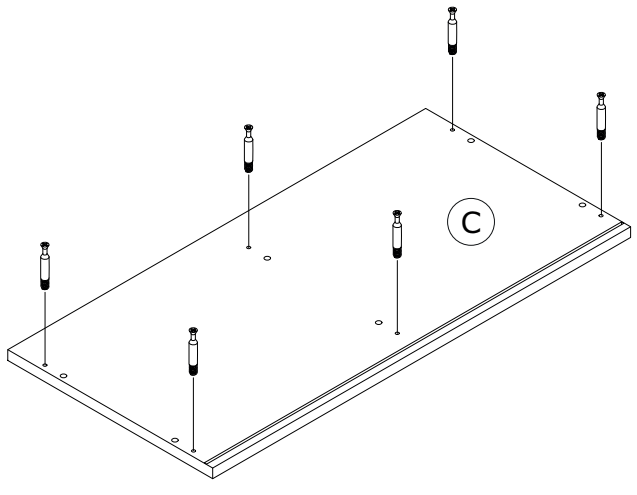
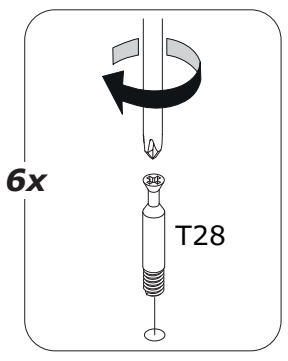
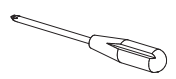
SH3620
314x301x2mm



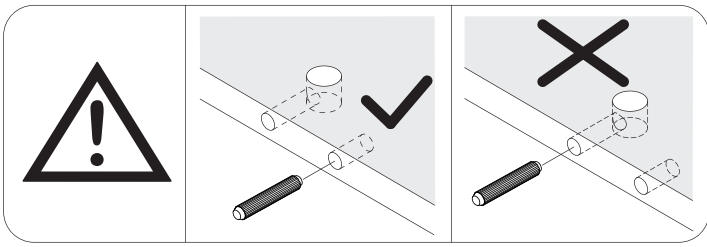
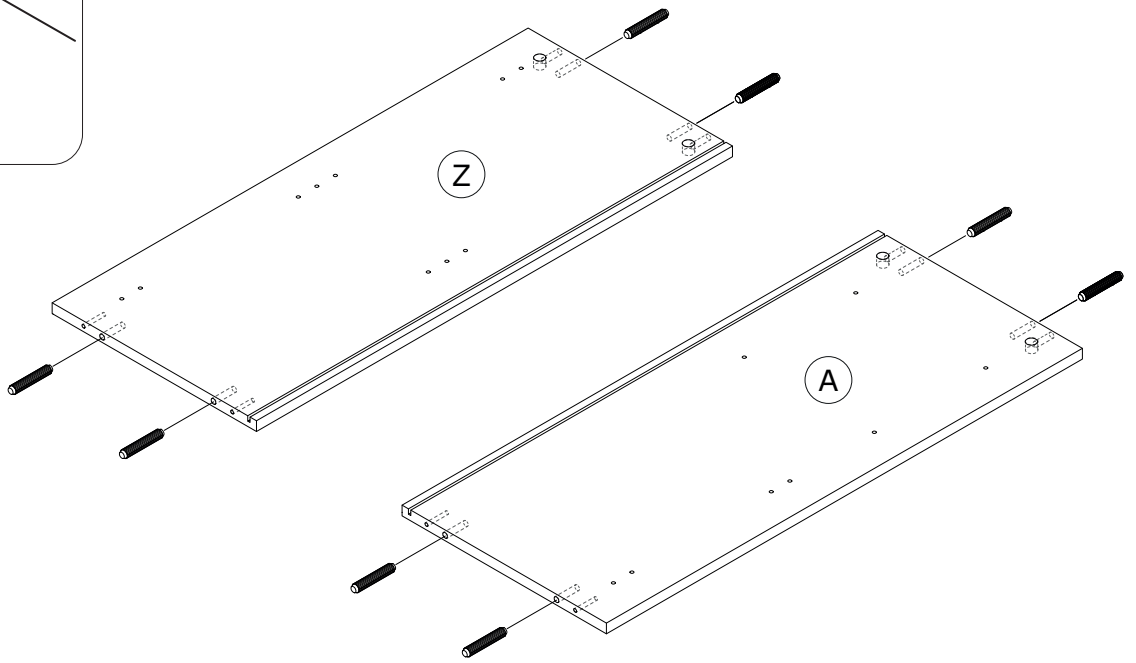
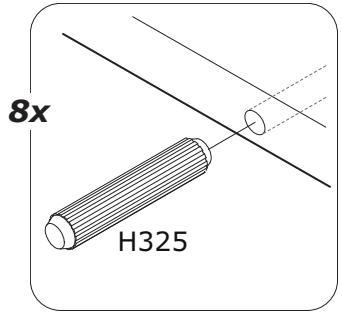
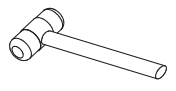
CS3925
340x189x16mm



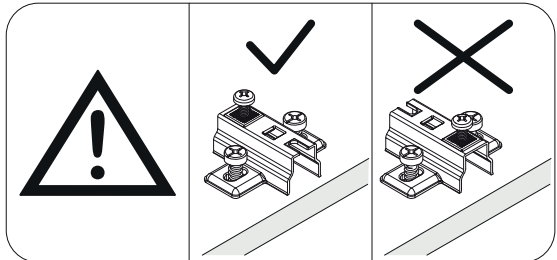
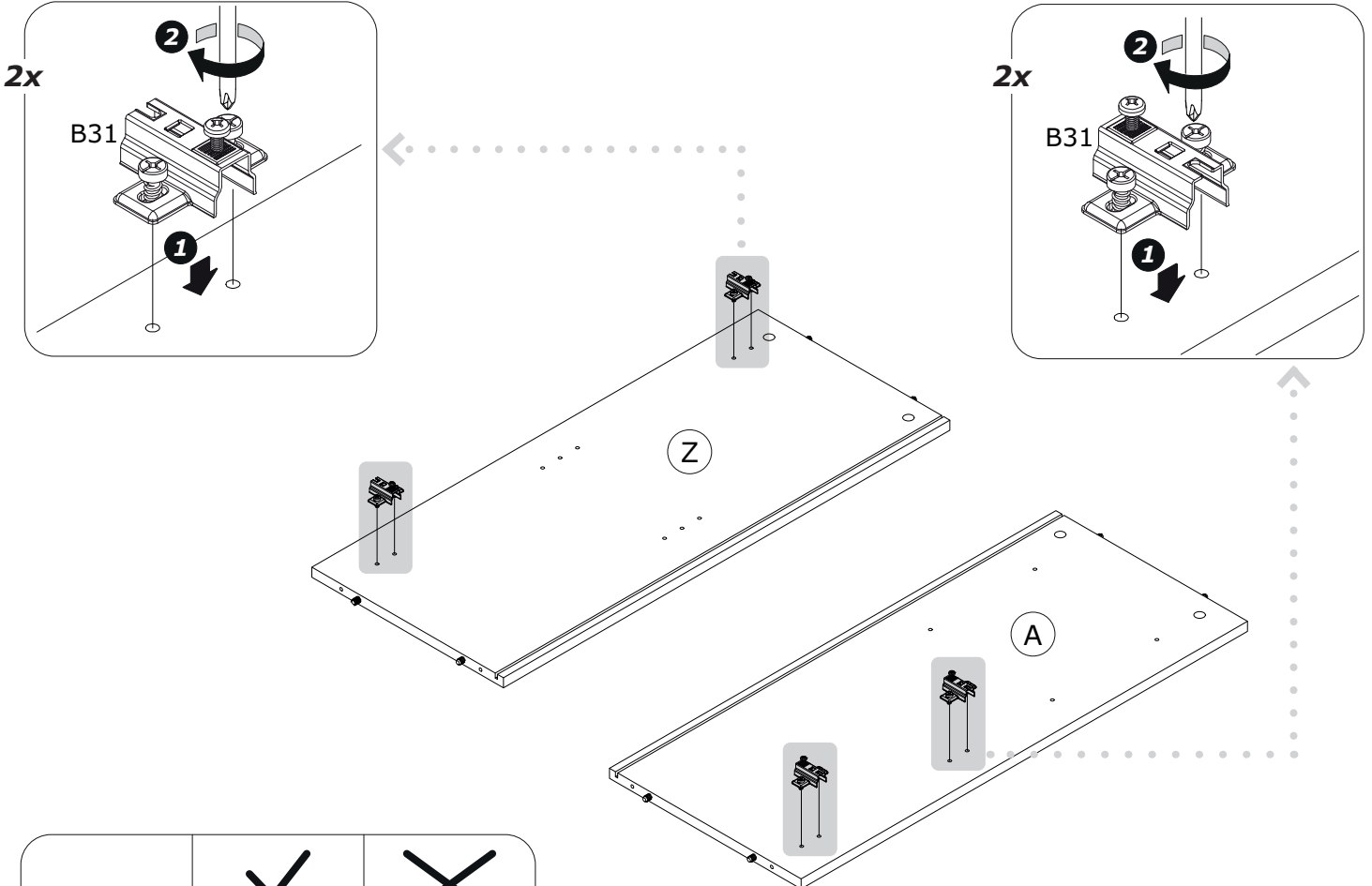
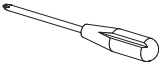
1



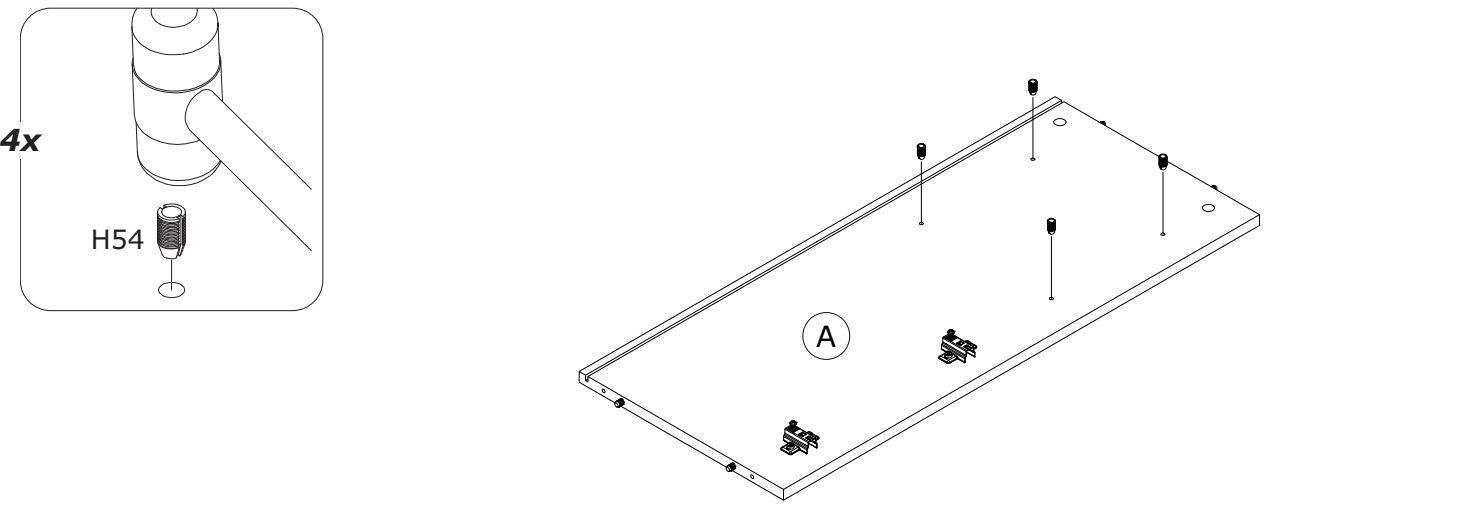
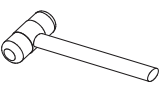
2



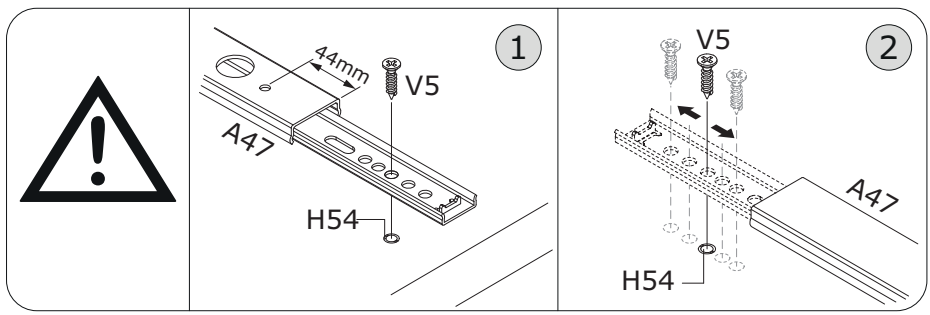
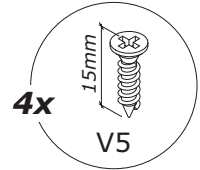
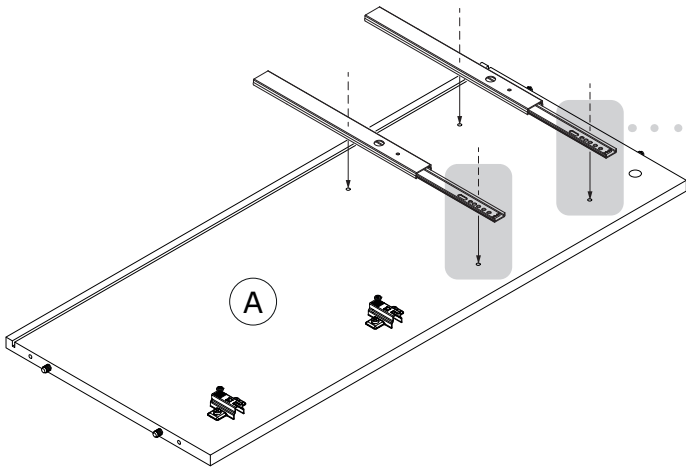
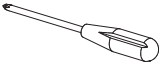
3



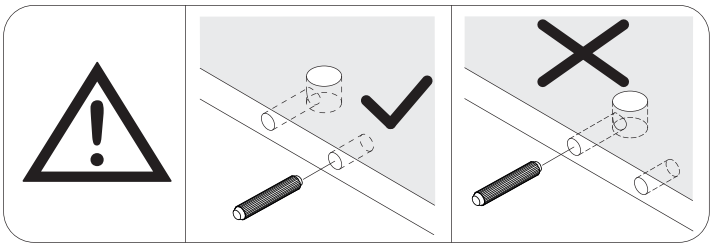
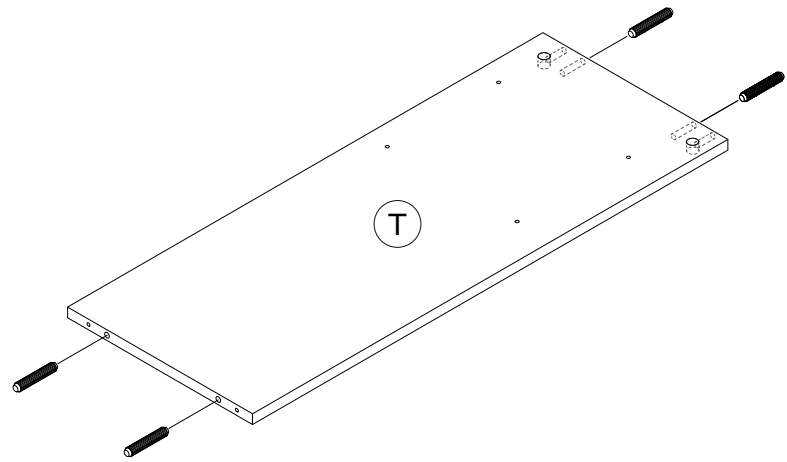
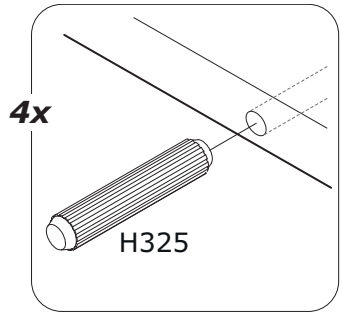
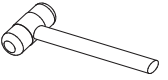
4



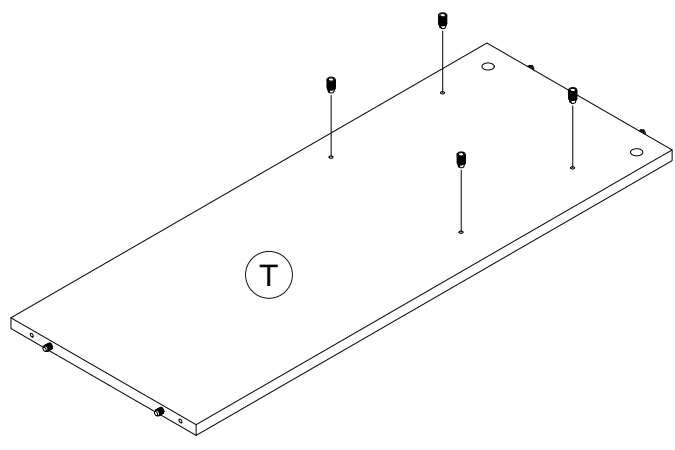
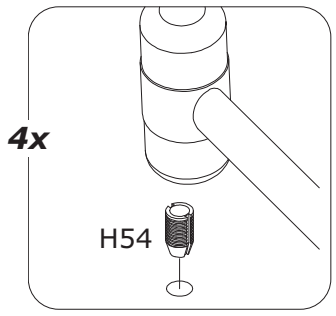
5



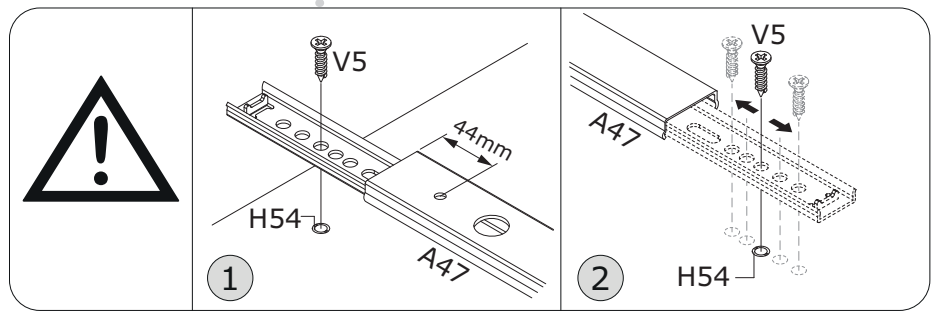
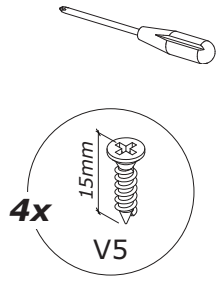
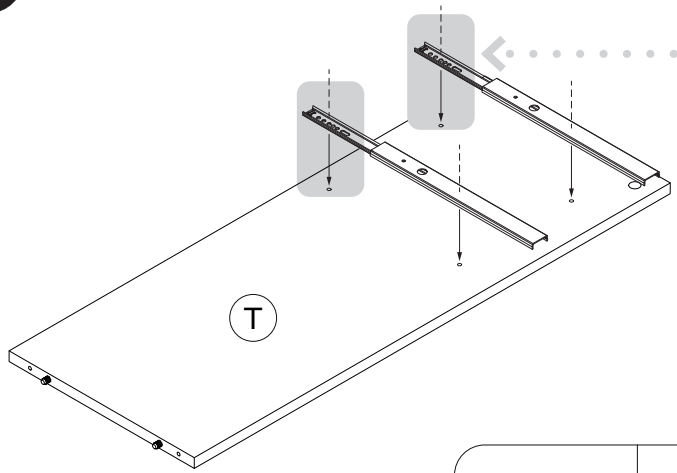
6



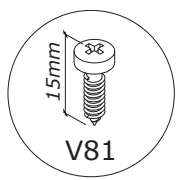
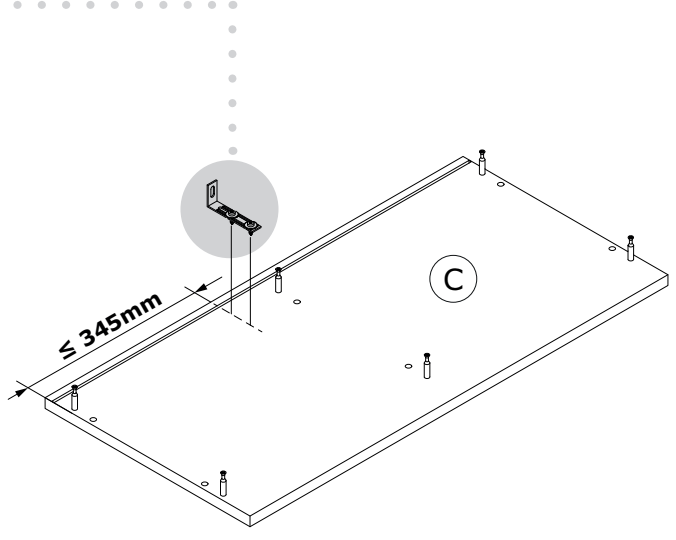
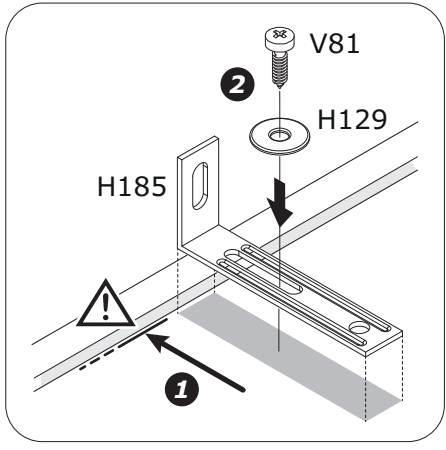
7

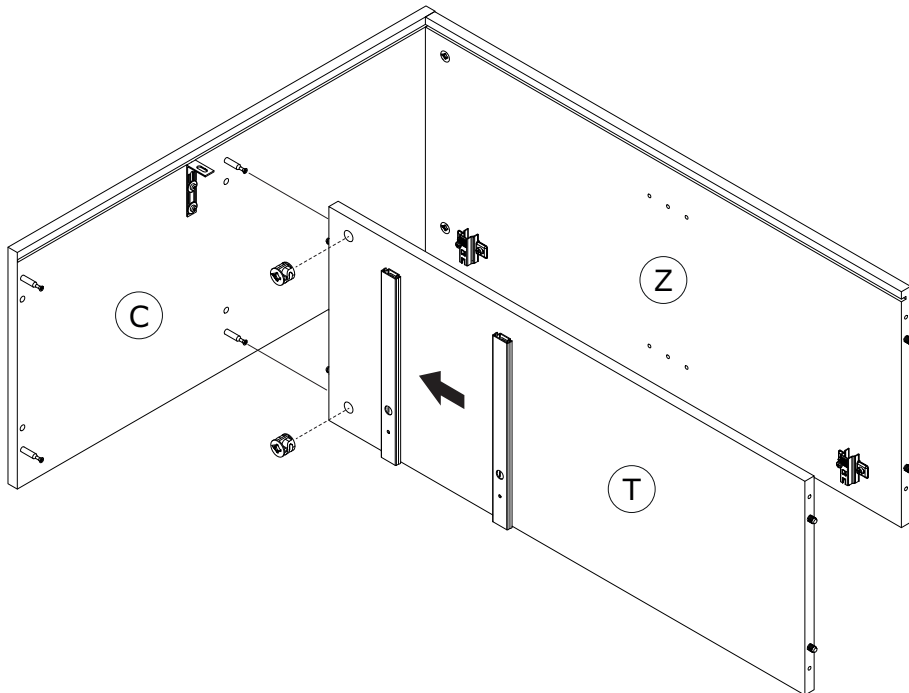
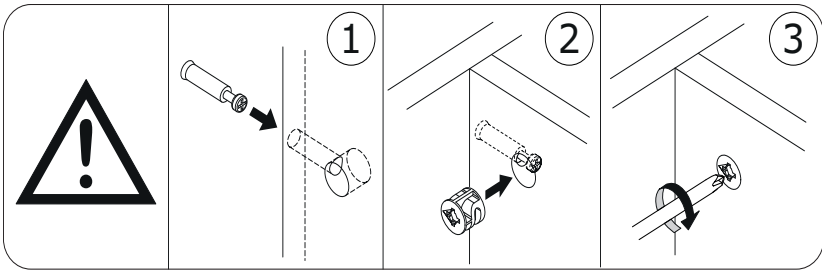
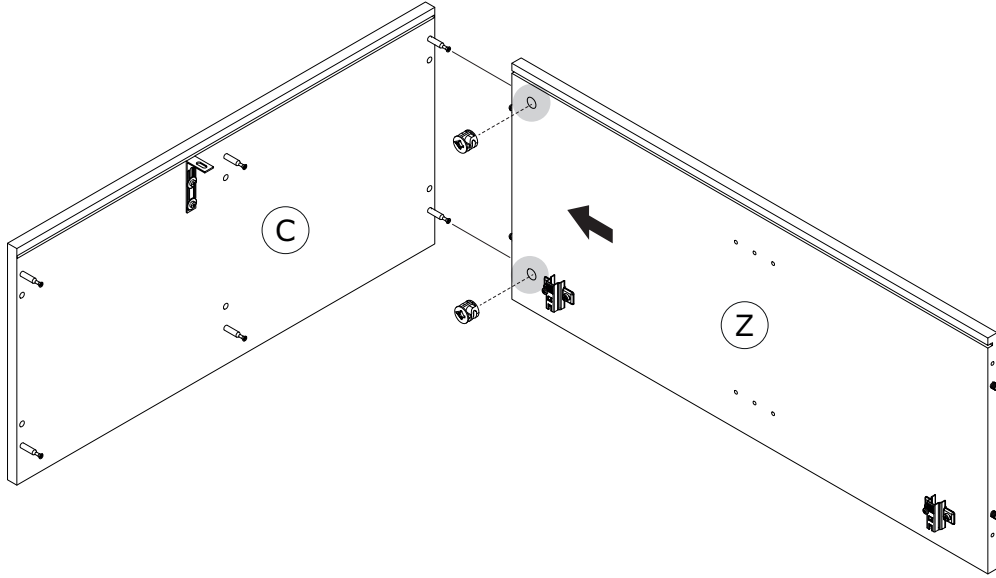
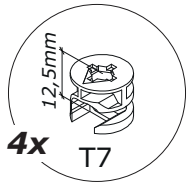
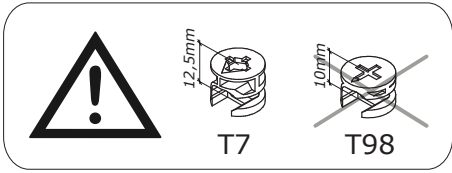
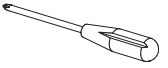


8

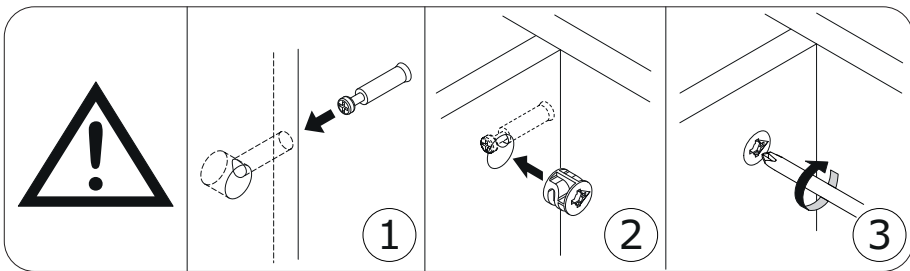
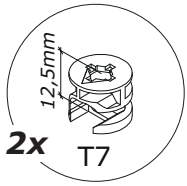
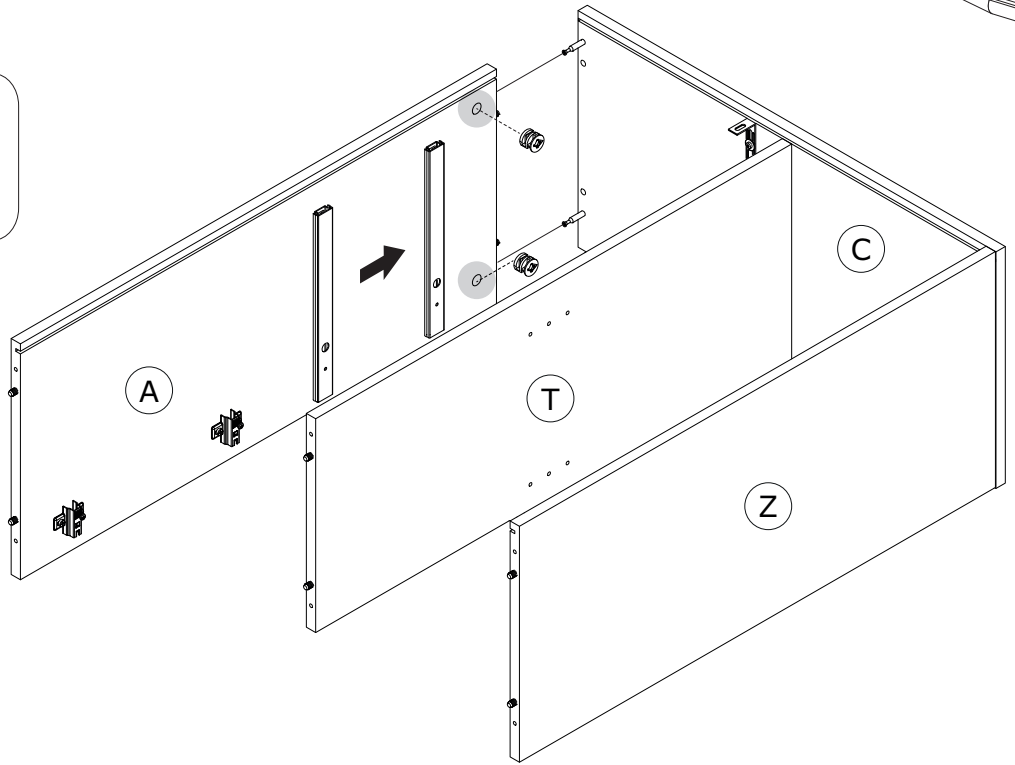
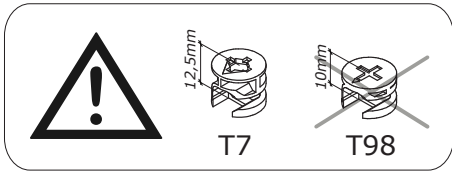


9

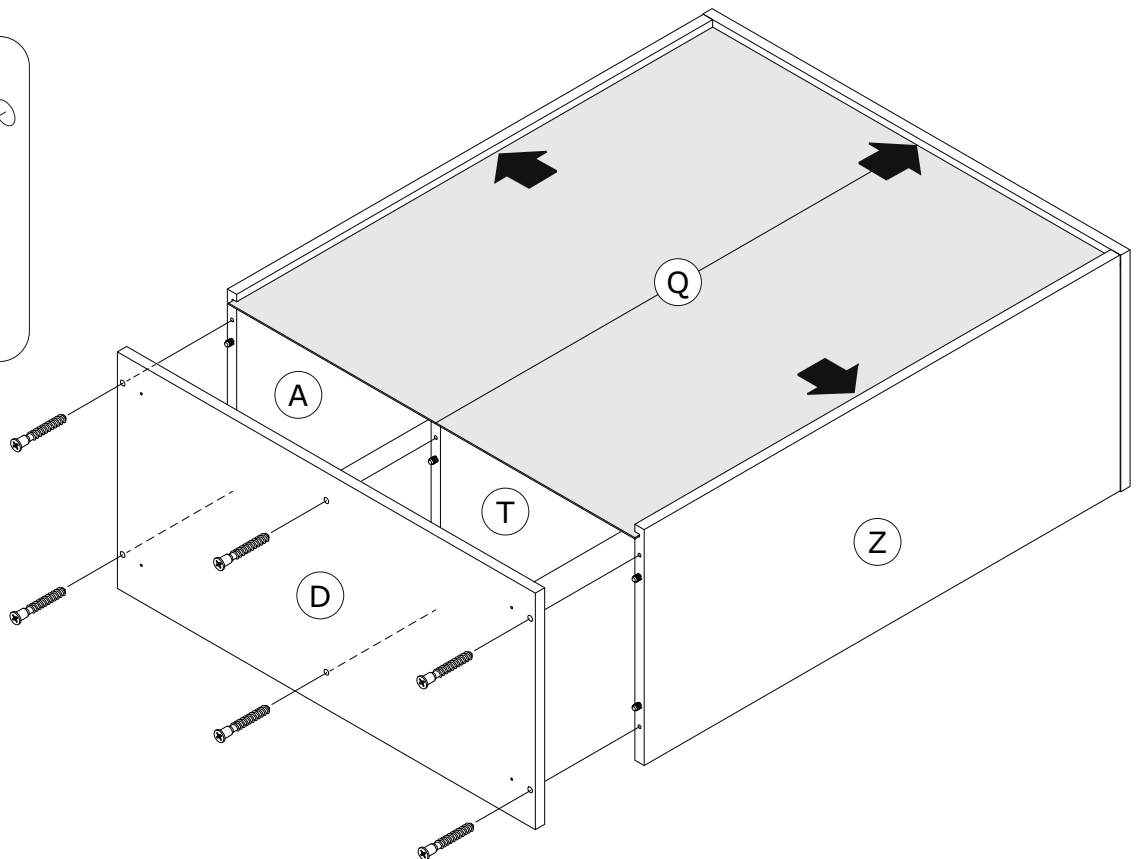
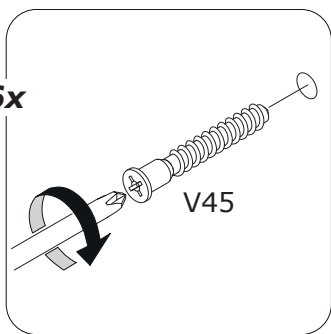




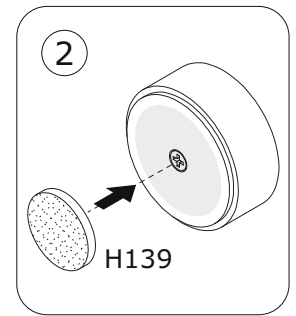
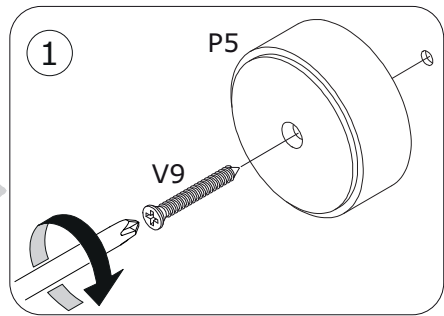
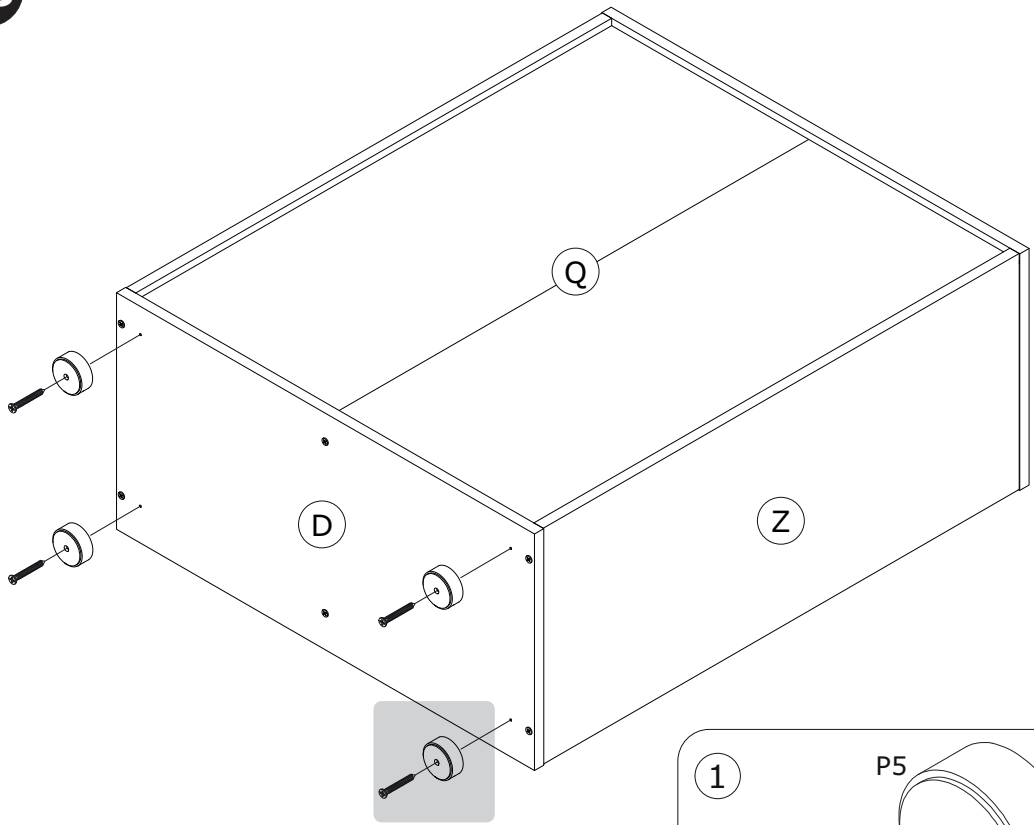
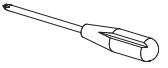
11



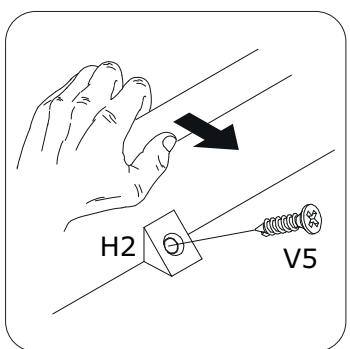
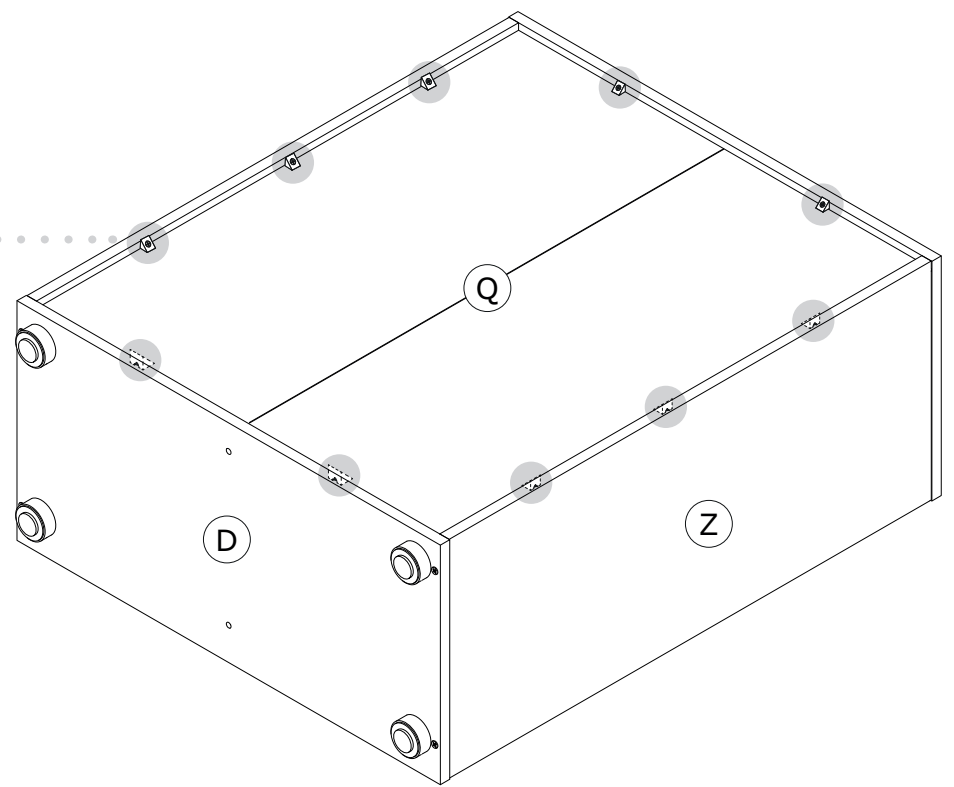
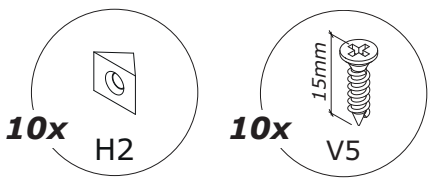
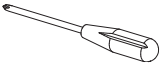
12

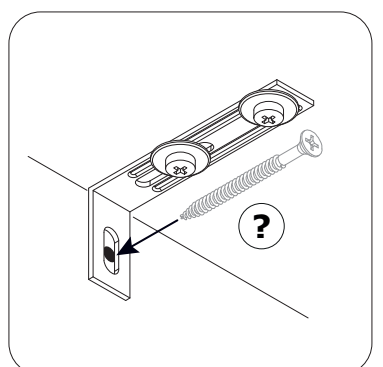
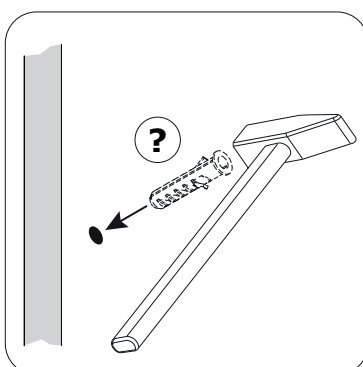
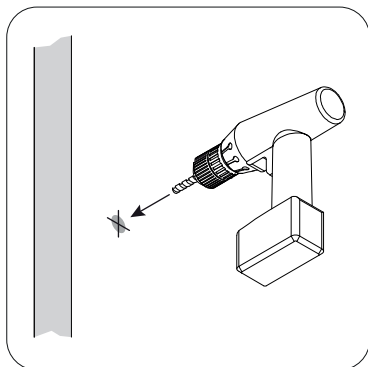
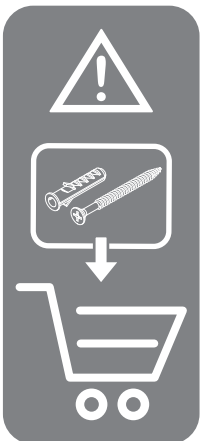
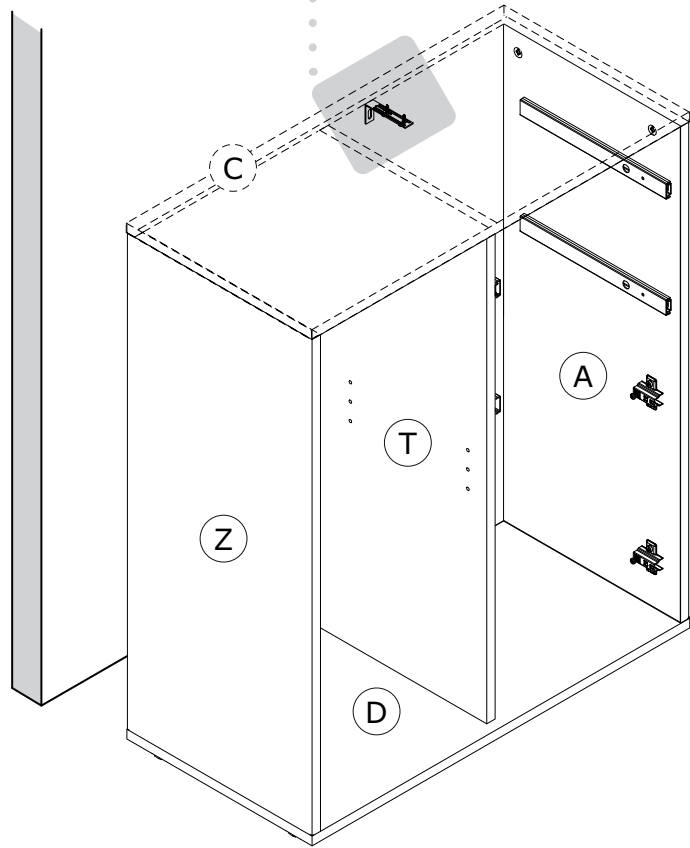
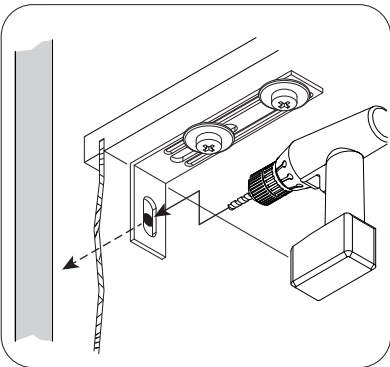
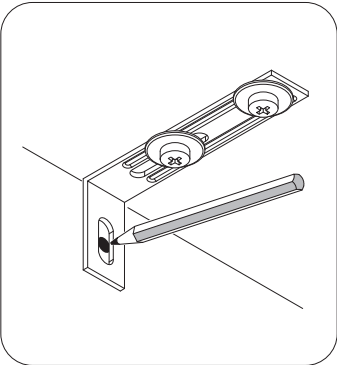
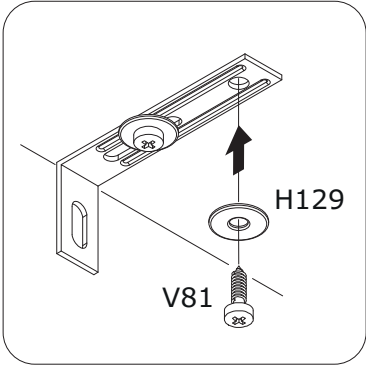
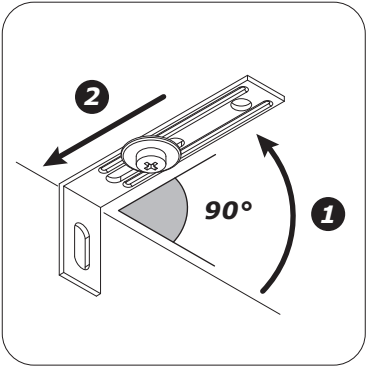
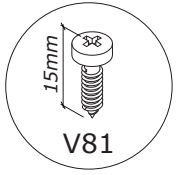


13

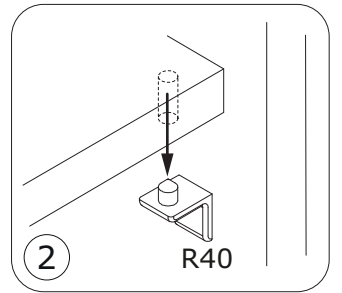
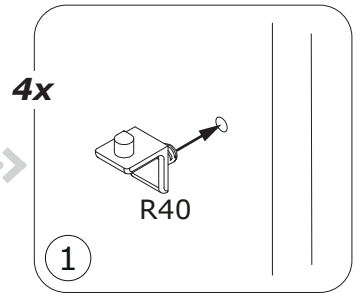
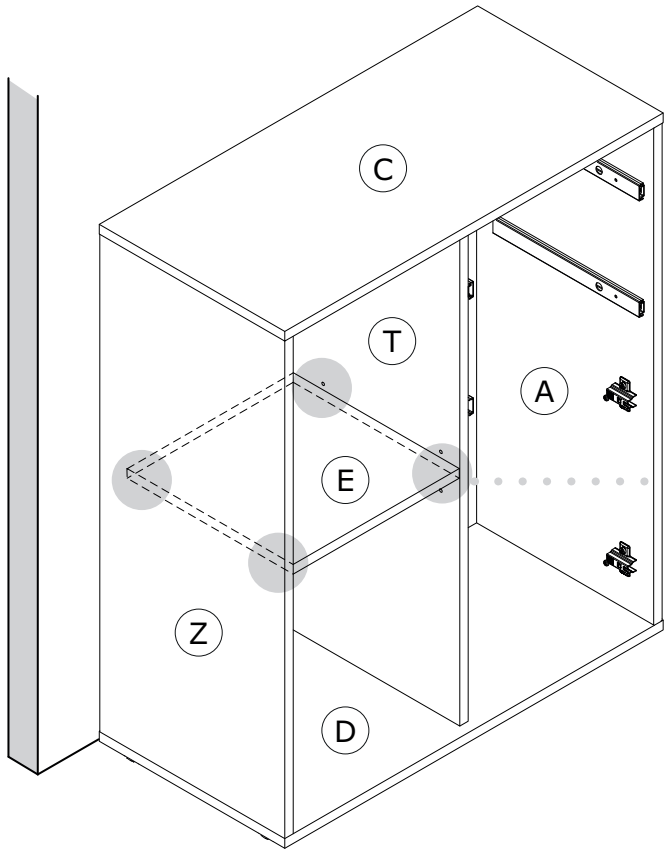


14

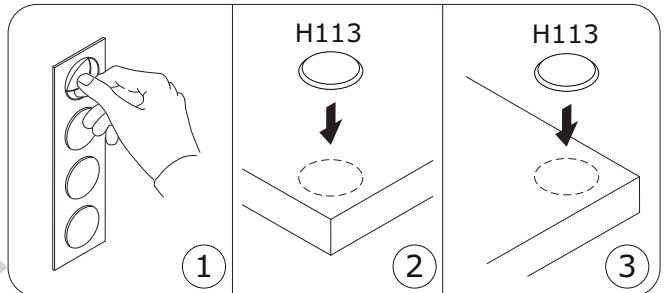
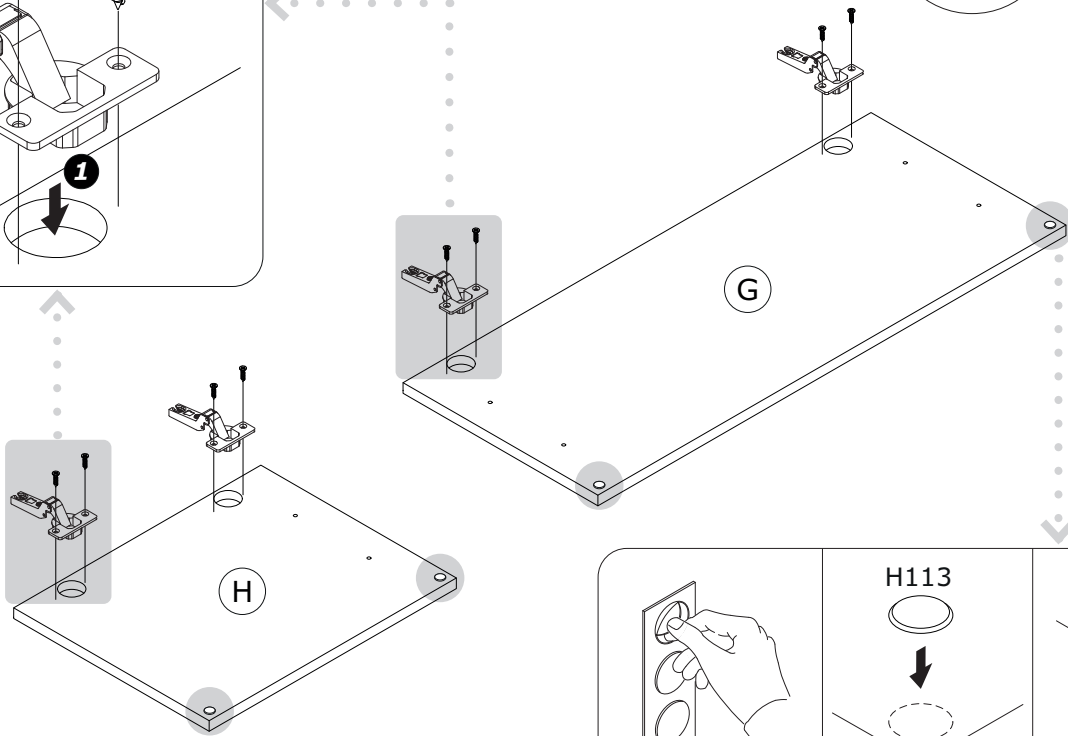
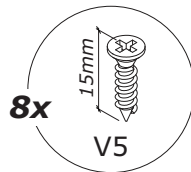
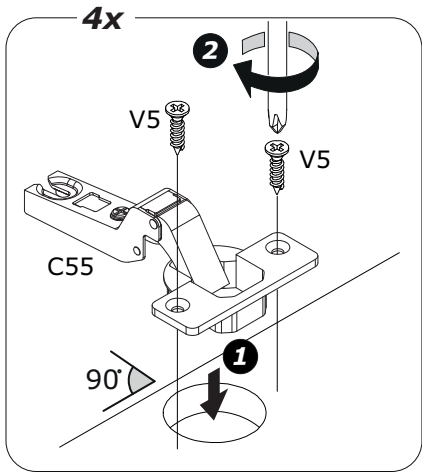


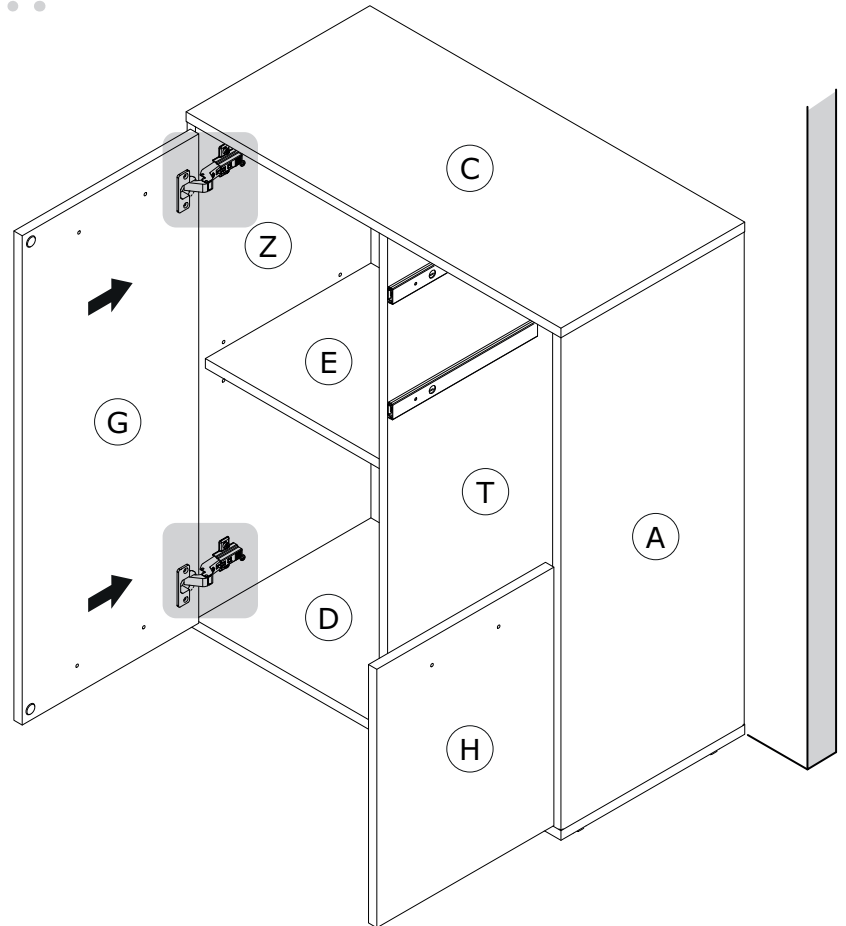
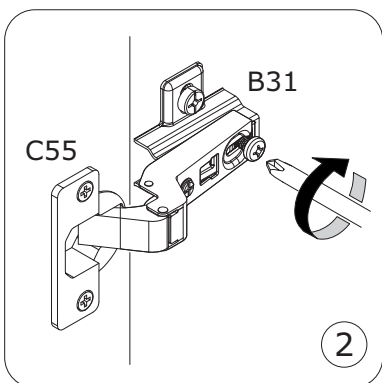
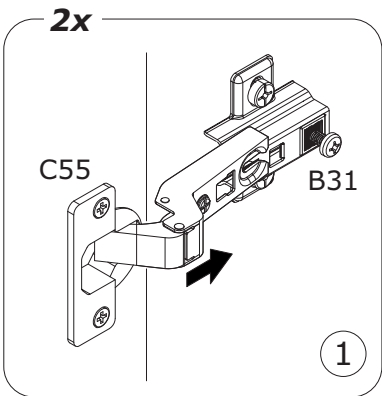
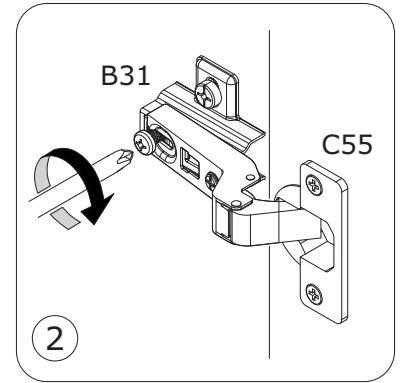
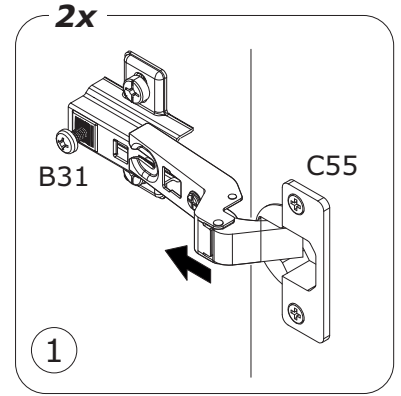
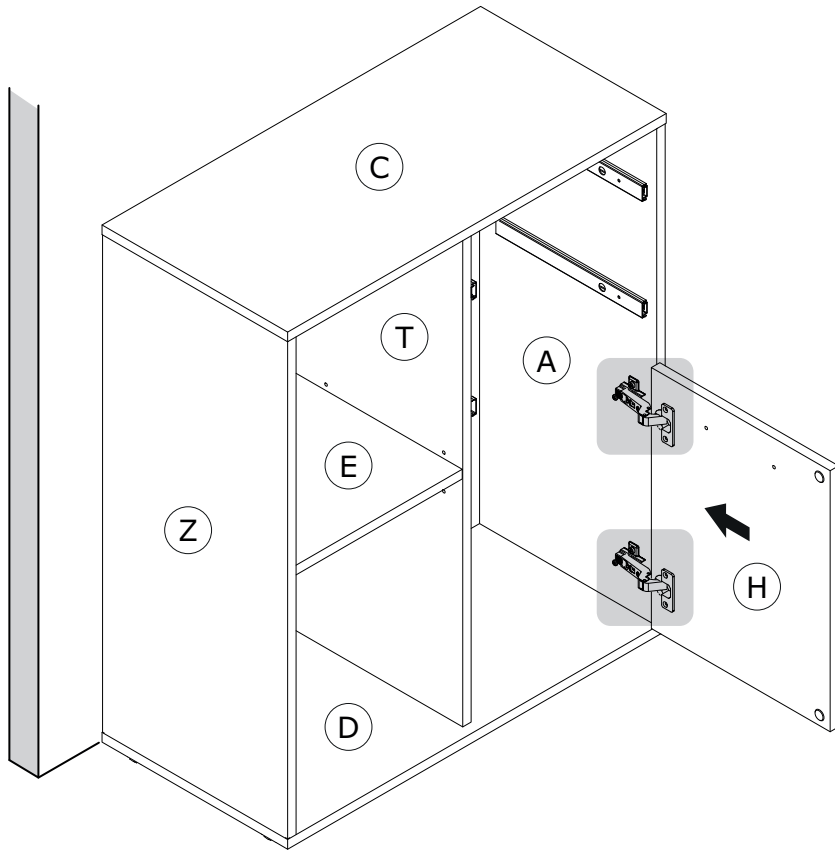
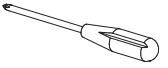


16

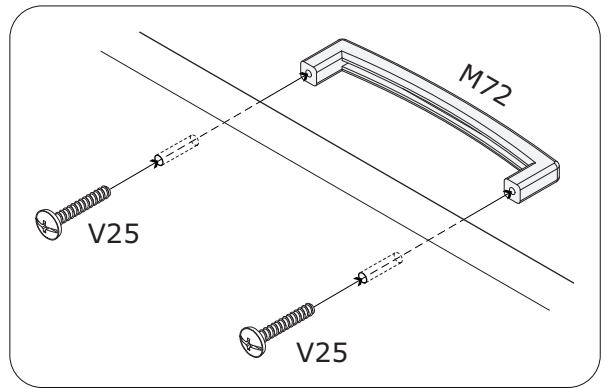
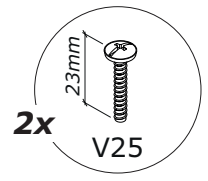
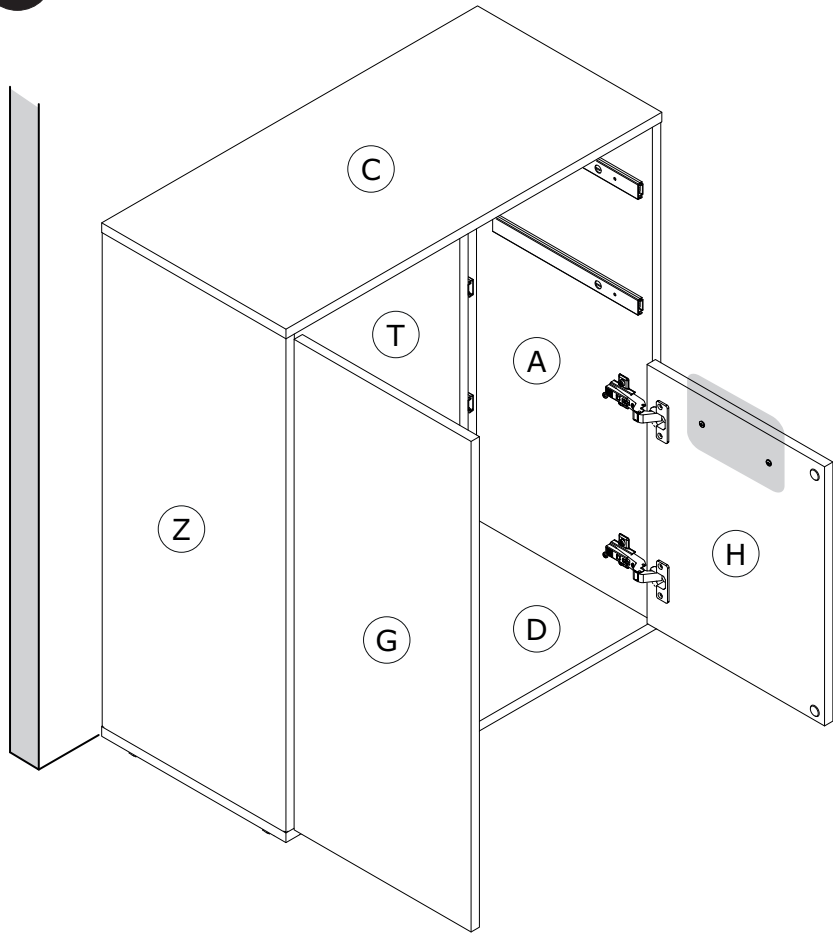


17

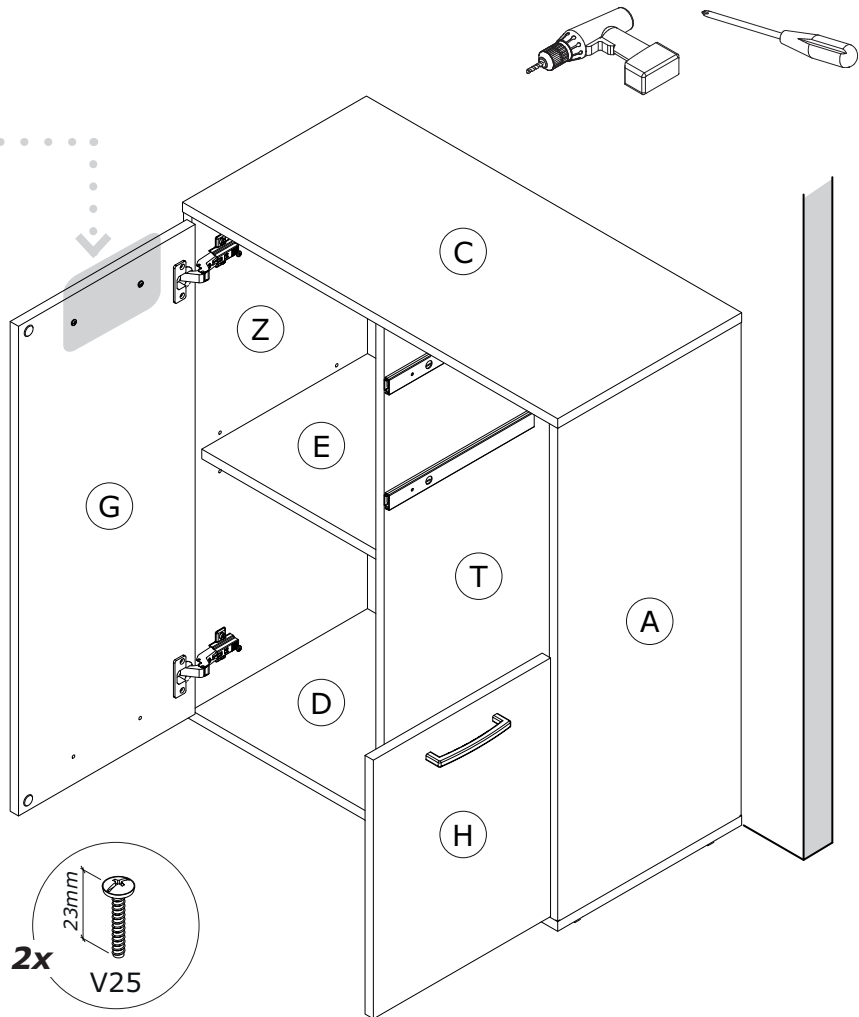
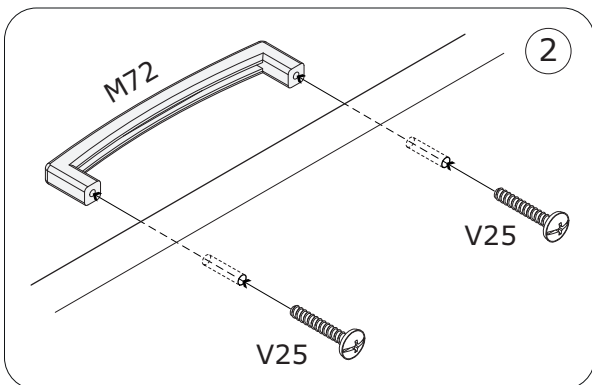
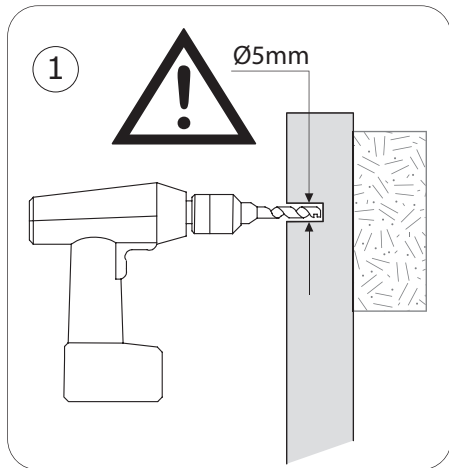




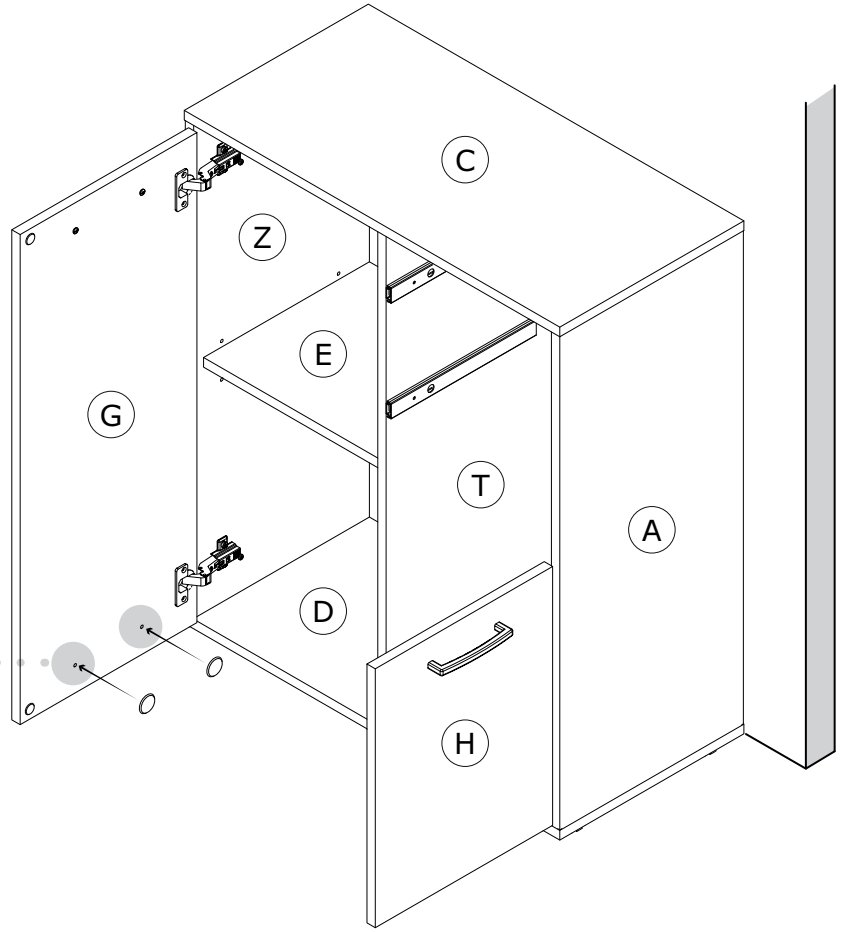
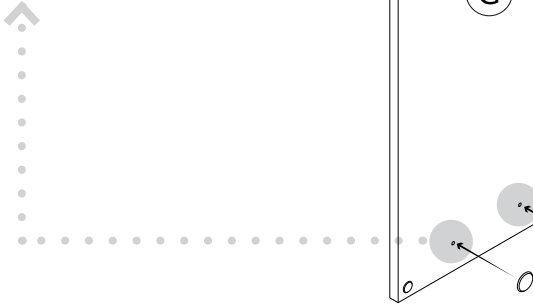
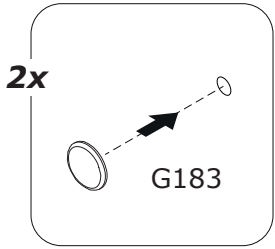
19



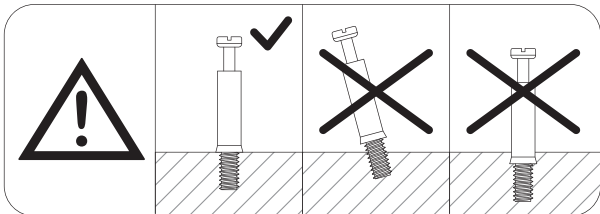
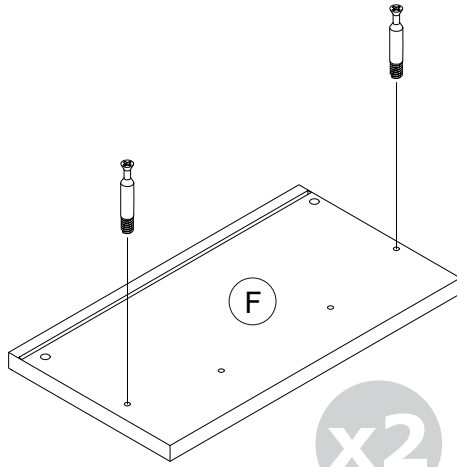
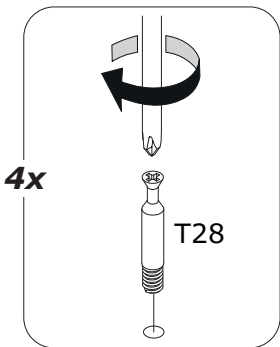
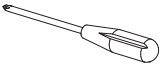
20



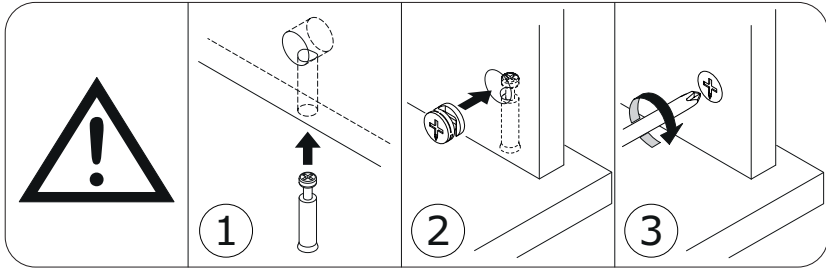
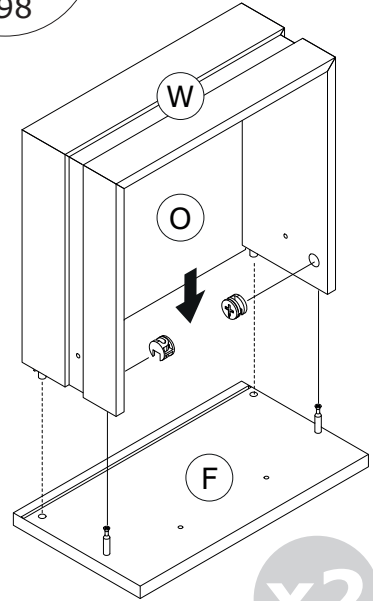
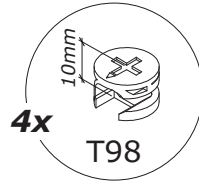
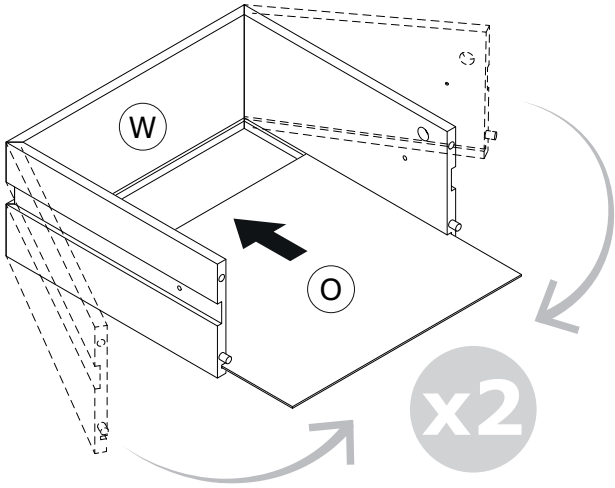
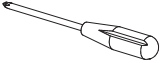
21



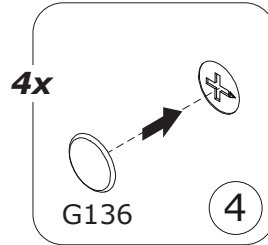
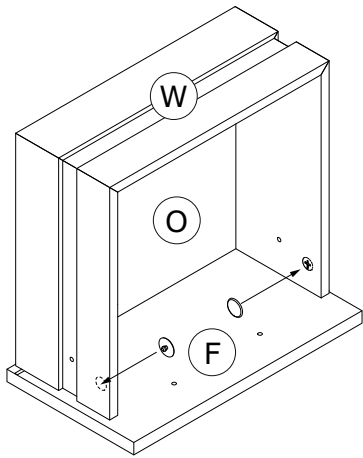
22



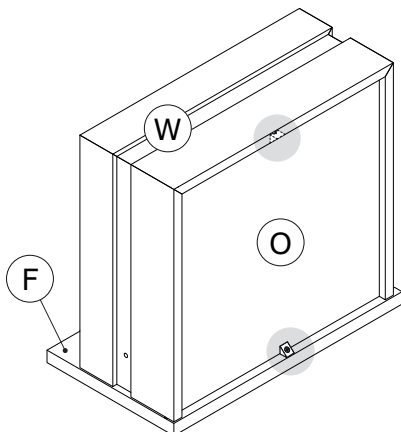
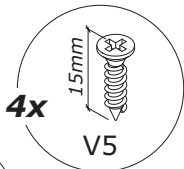
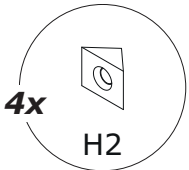
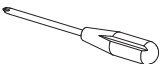
23



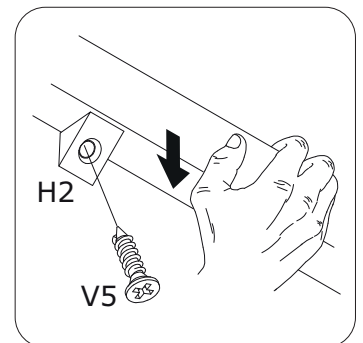
x2



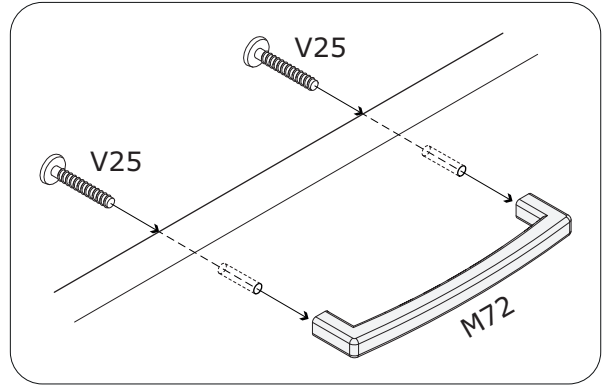
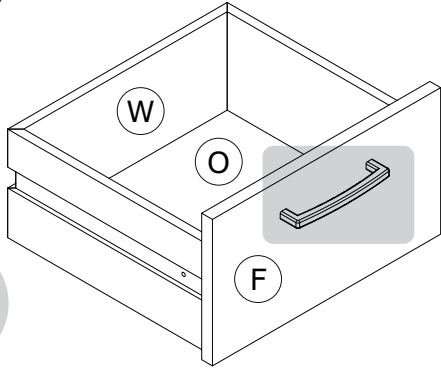
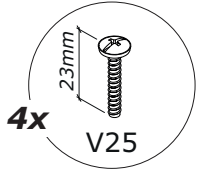
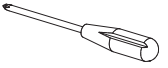
24



x2



25



26

