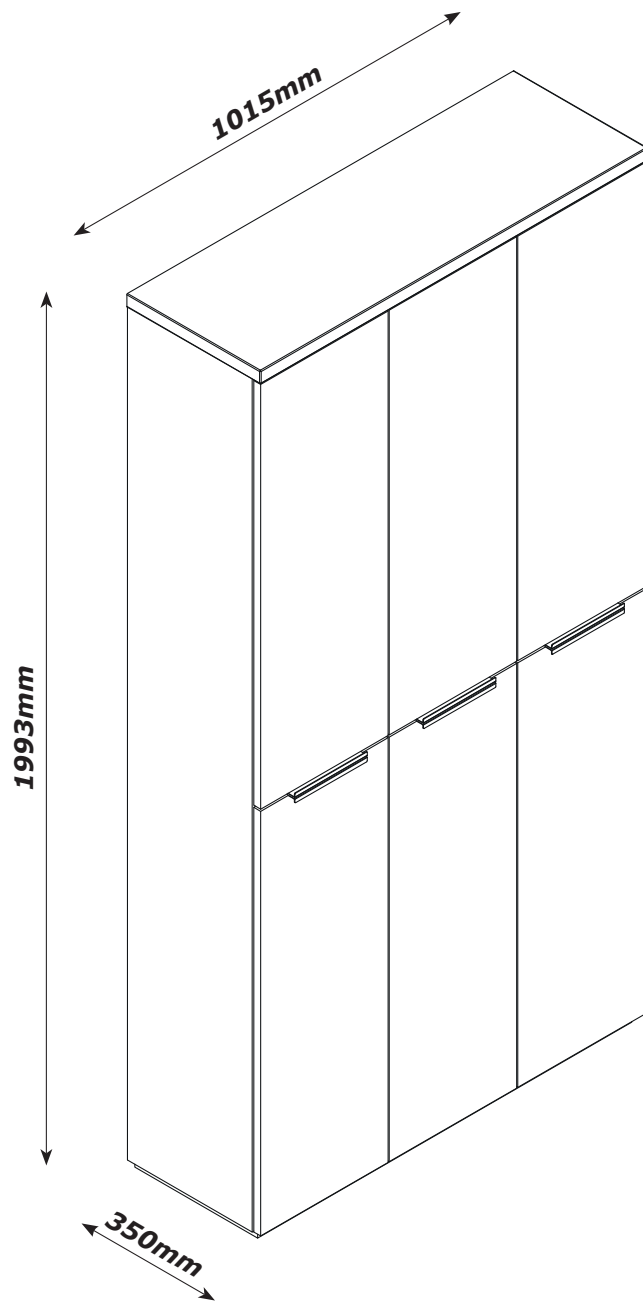


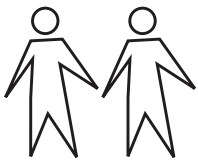
# AR3494K64904



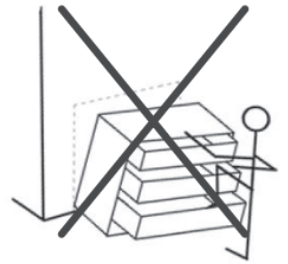
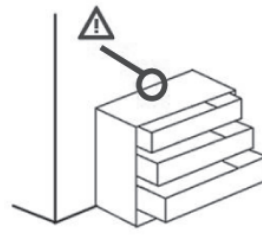
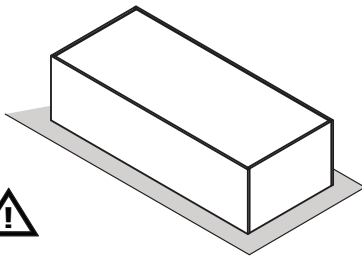
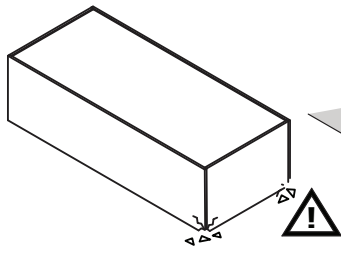
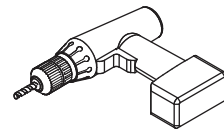
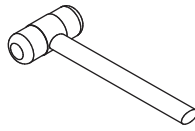
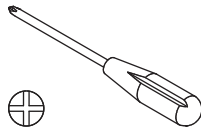
MIX  
Wood from  
responsible sources  
FSC® C011298



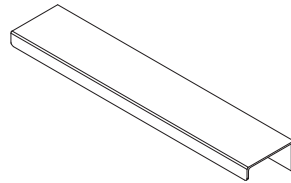
QF5228



1,5h

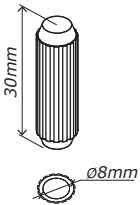


**BU4283**

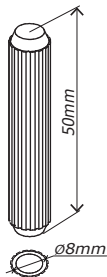


**M94**  
x6

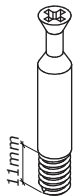
**BU4281**



**H1**  
x16



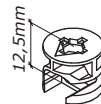
**H32**  
x2



**T28**  
x14



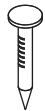
**T83**  
x4



**T7**  
x18



**V5**  
x18



**H15**  
x65



**H54**  
x12



**H113**  
x6



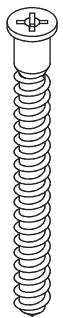
**H210**  
x2



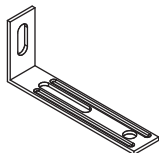
**H139**  
x6



**R40**  
x64



**V115**  
x2



**H185**  
x2



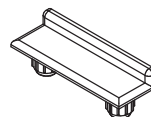
**H129**  
x4



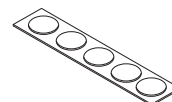
**V81**  
x4



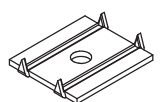
**G31**  
x12



**H114**  
x1

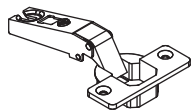


**G150**  
x10

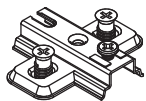


**H99**  
x6

**BU2782 x2**



**C66**  
x4

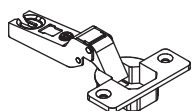


**B30**  
x4

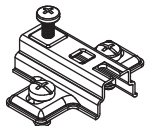


**V5**  
x8

**BU2783**



**C56**  
x4

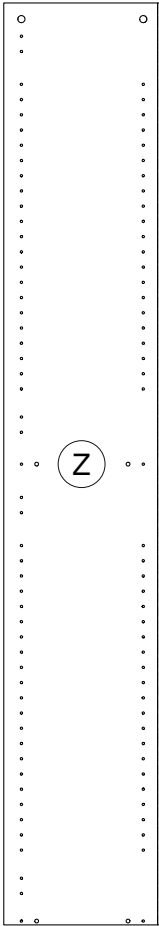


**B27**  
x4

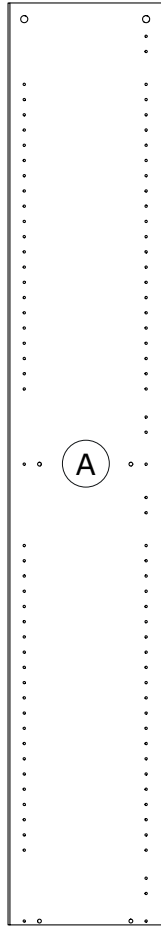


**V5**  
x8

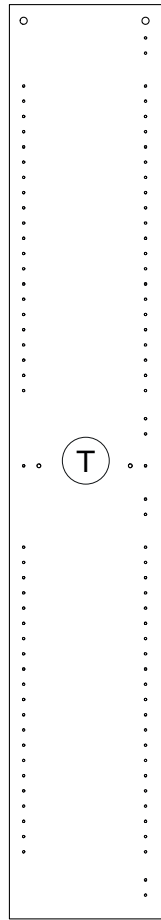




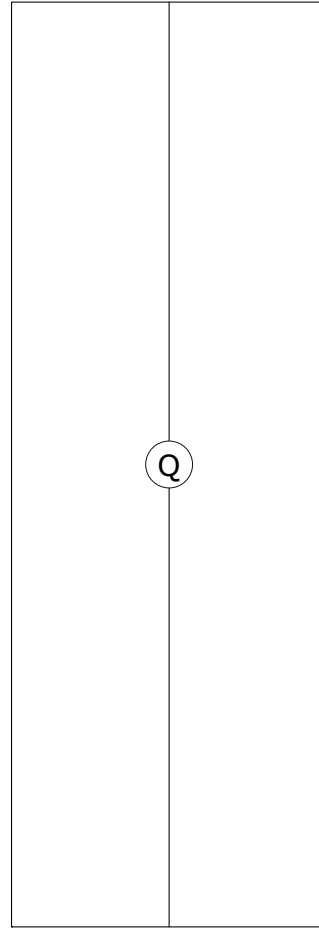
**FI8679**  
1937x327x18mm



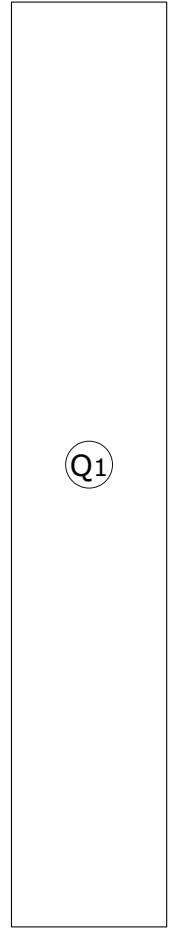
**FI8677**  
1937x327x18mm



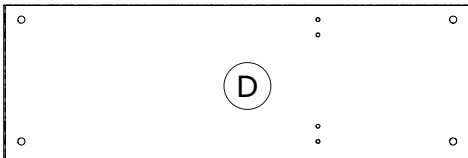
**TR2218**  
1921x321x18mm



**SH3354**  
1943x662x2mm

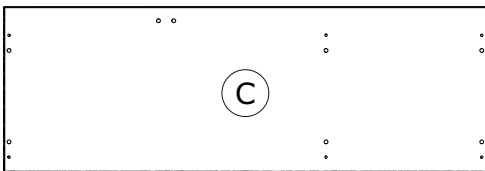


**SH3353**  
1943x326x2mm



**BA2176**  
981x322x38mm

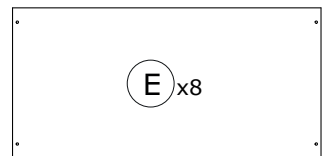
**BOX 1/3**



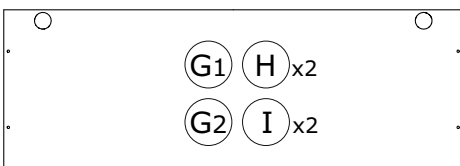
**CA3584**  
1015x350x30mm



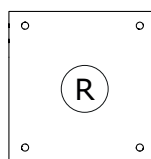
**PI7133**  
648x316x18mm



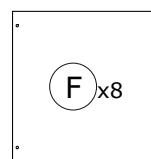
**PI7136**  
648x316x18mm



**AN2907**  
964x334x18mm



**PI7134**  
309x316x18mm

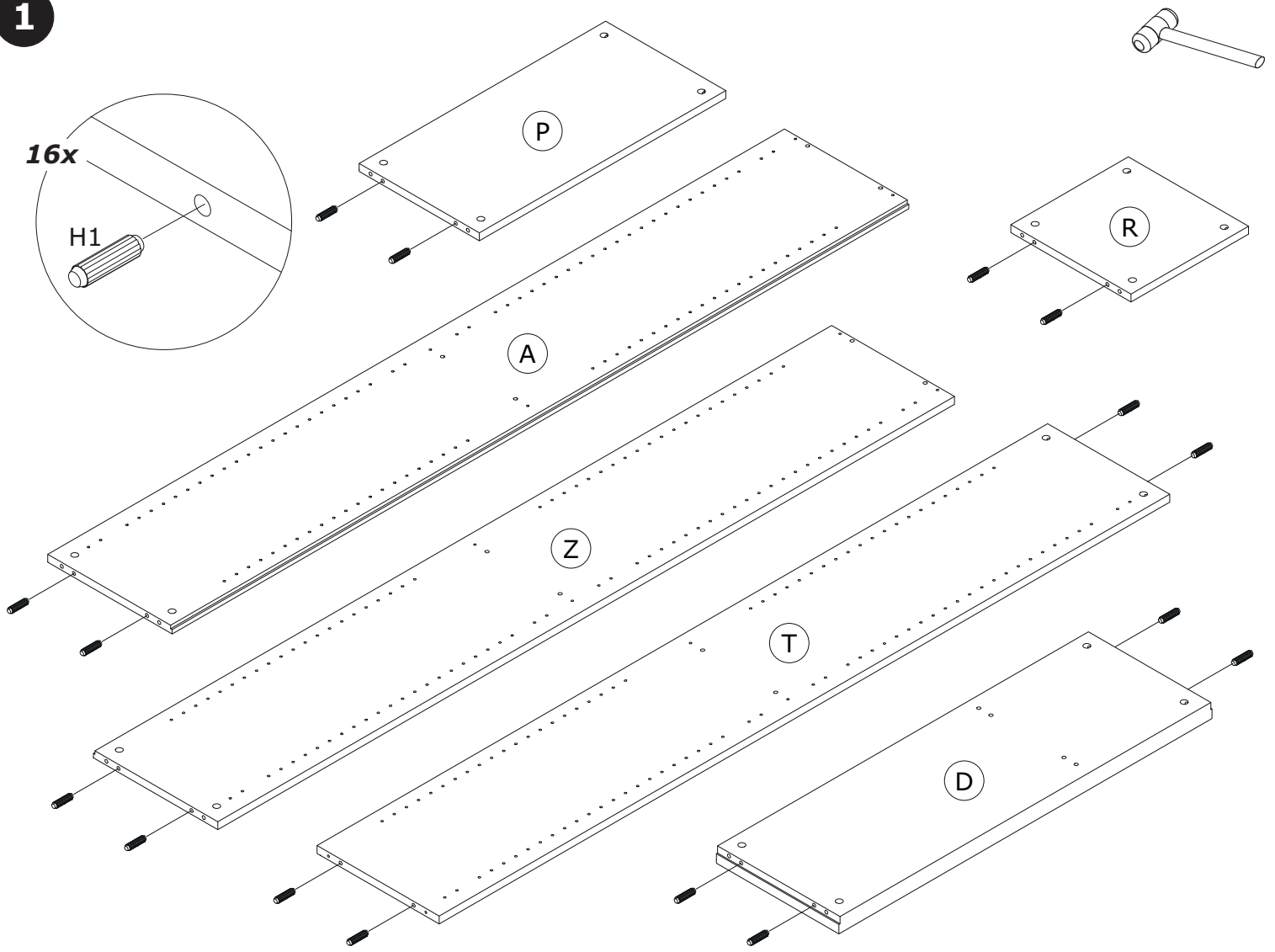


**PI7137**  
309x316x18mm

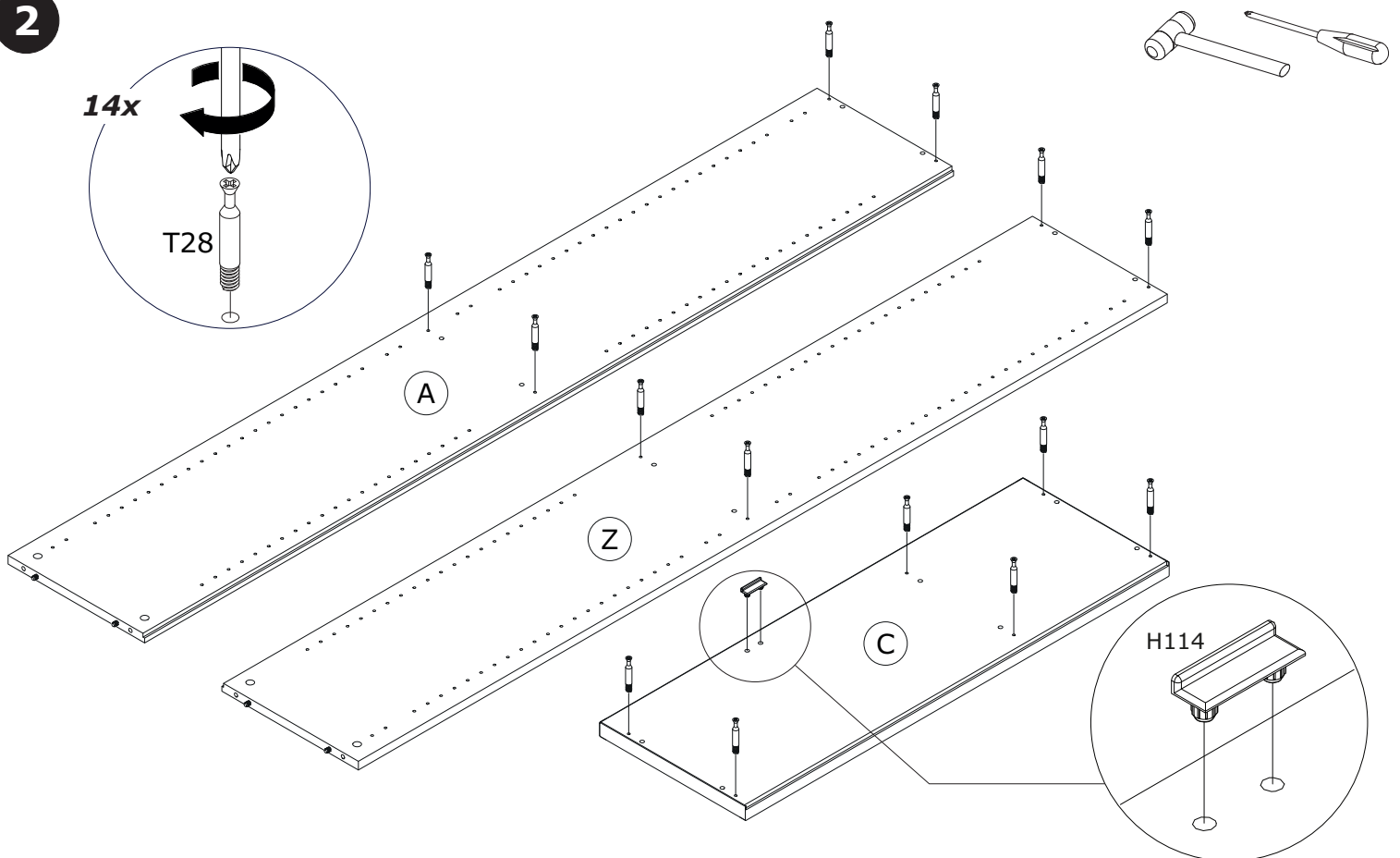
**BOX 2/3**

**BOX 3/3**

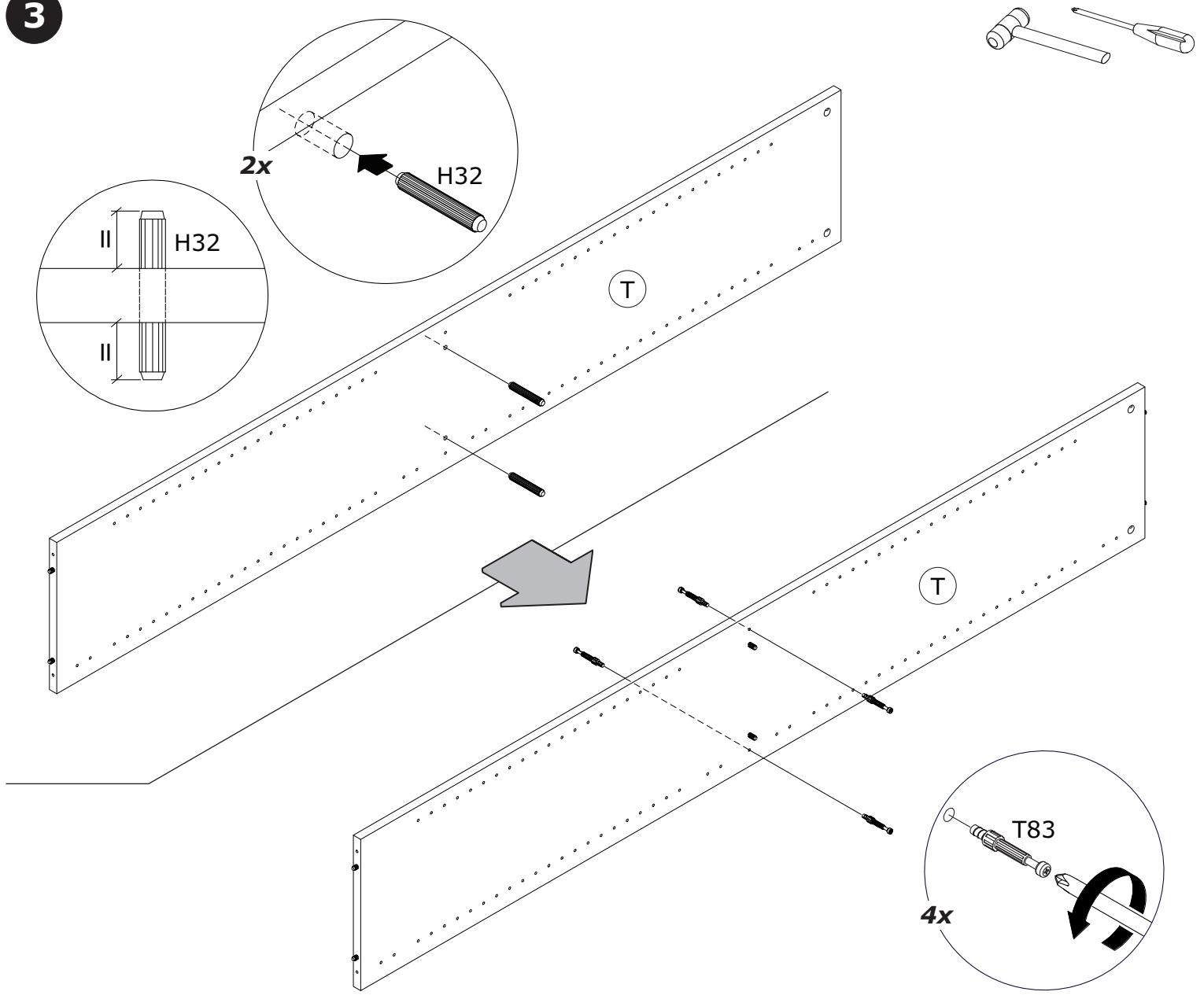
1



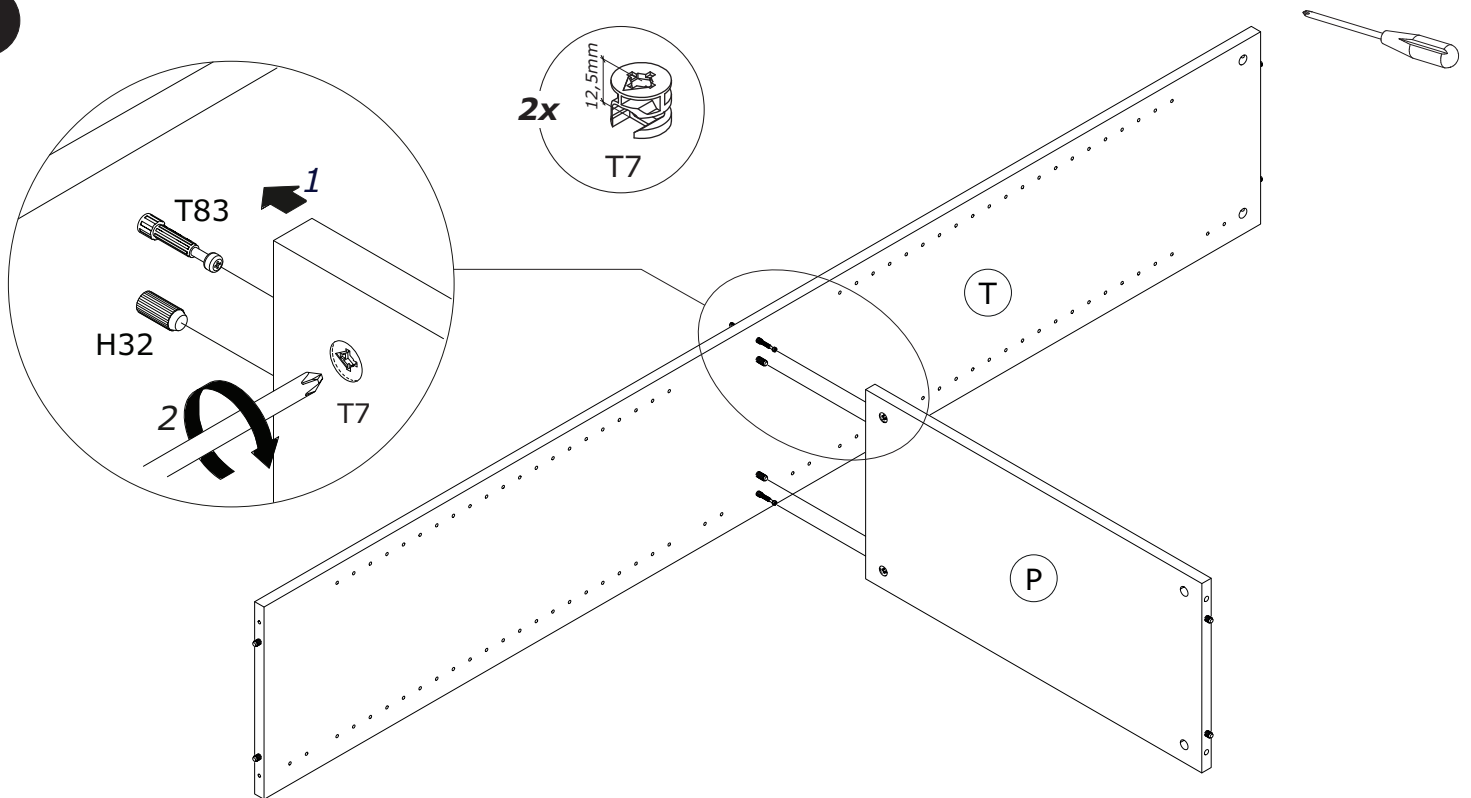
2



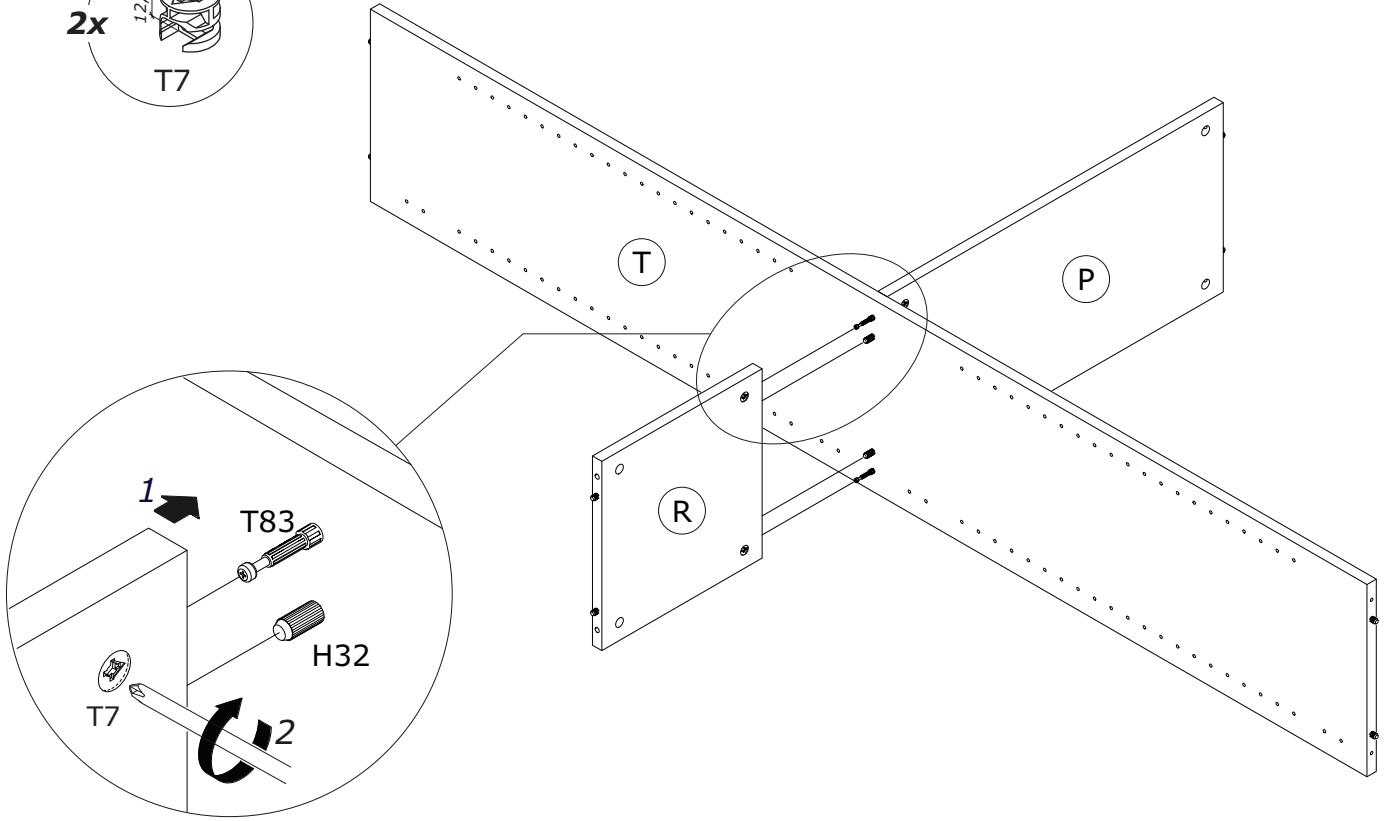
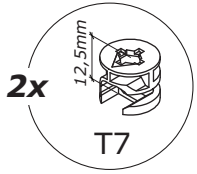
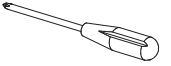
3



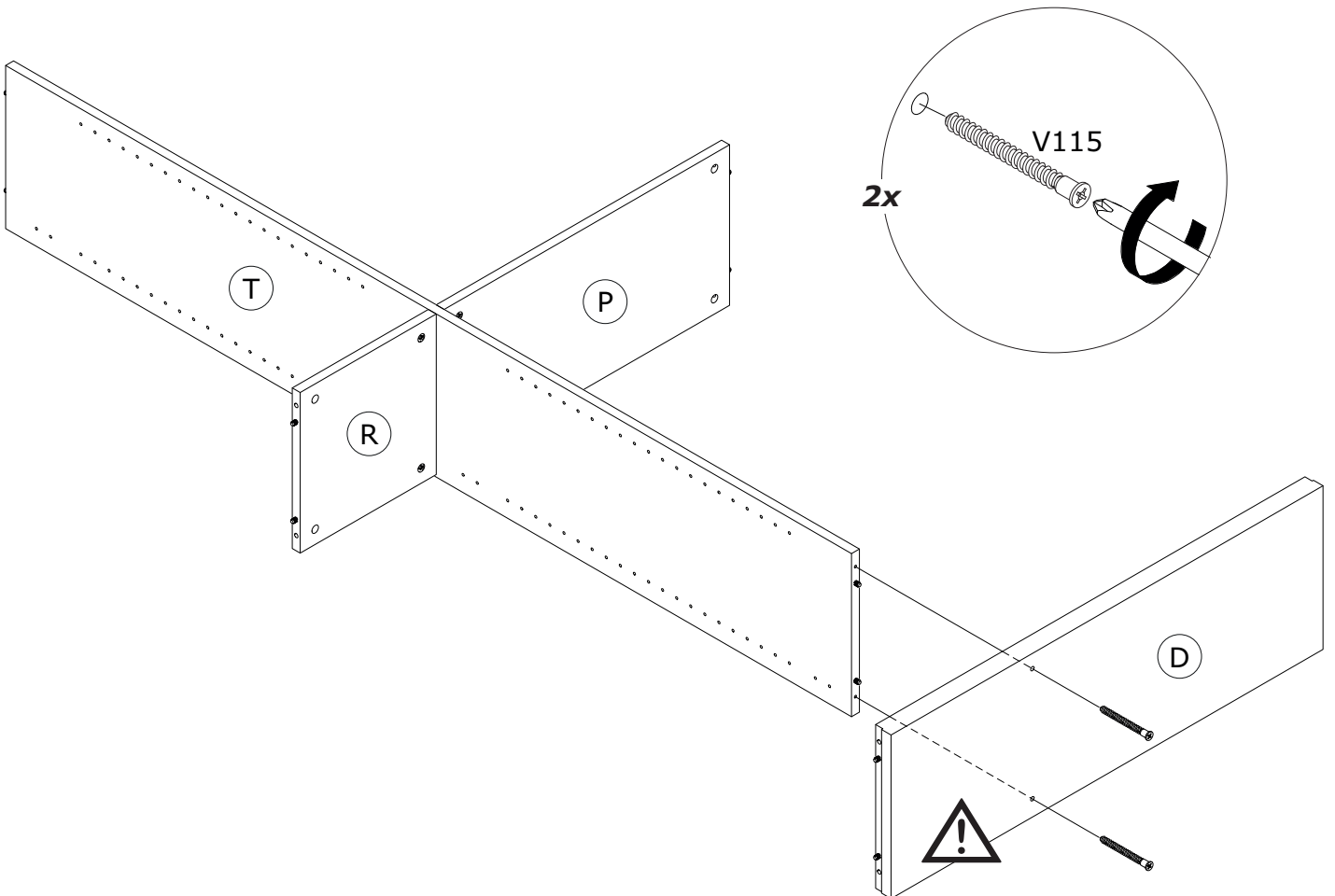
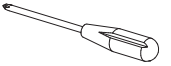
4



5

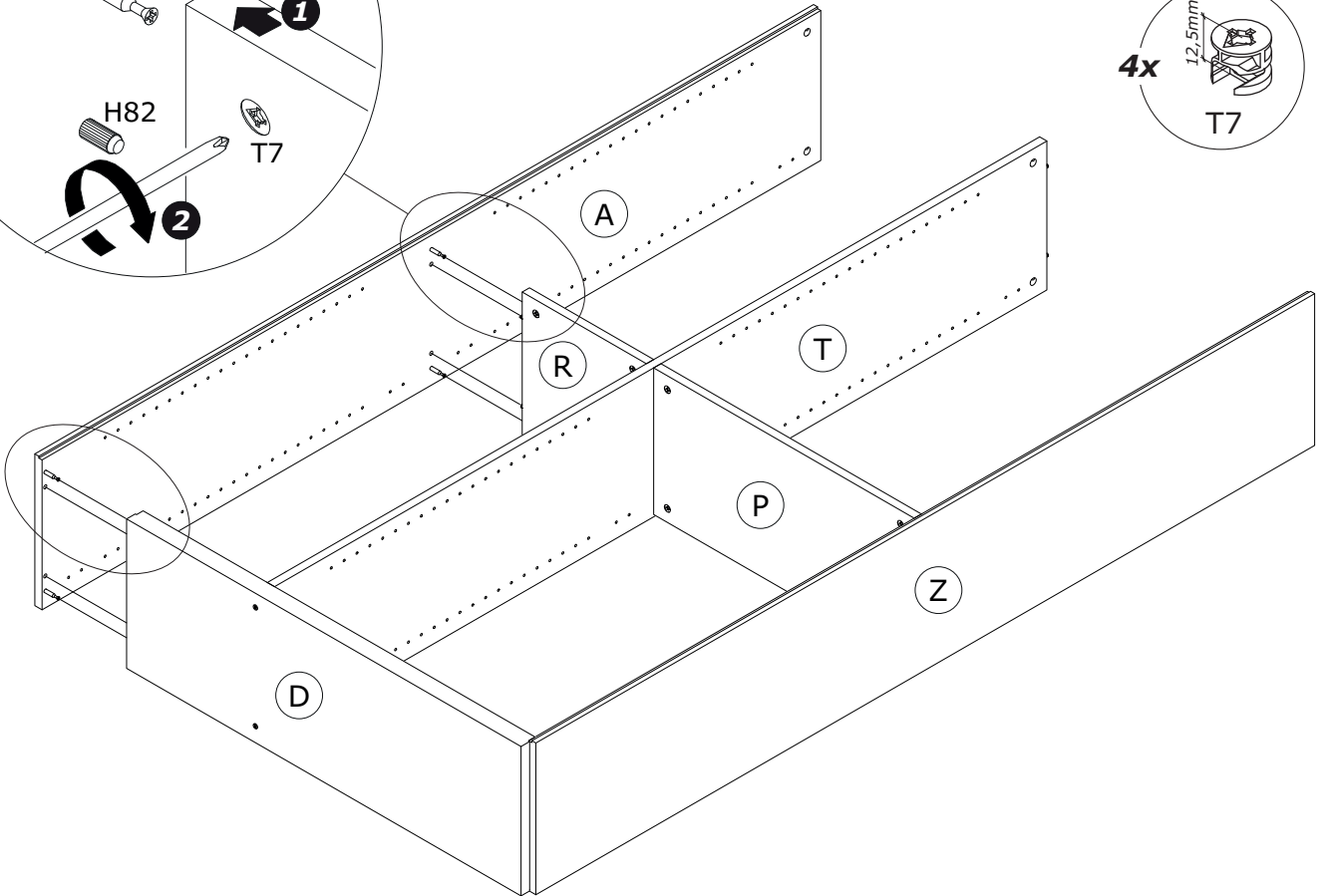
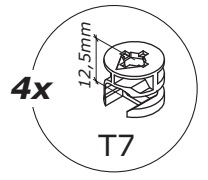
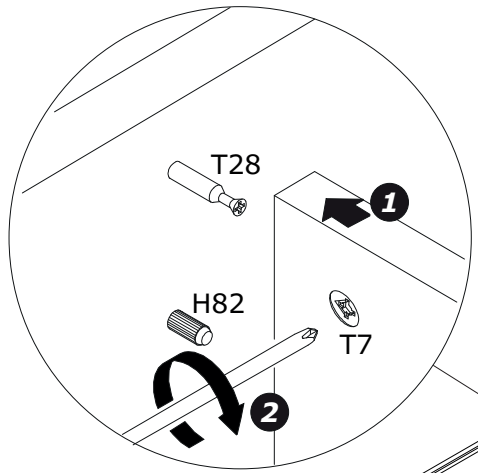
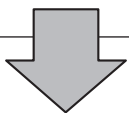
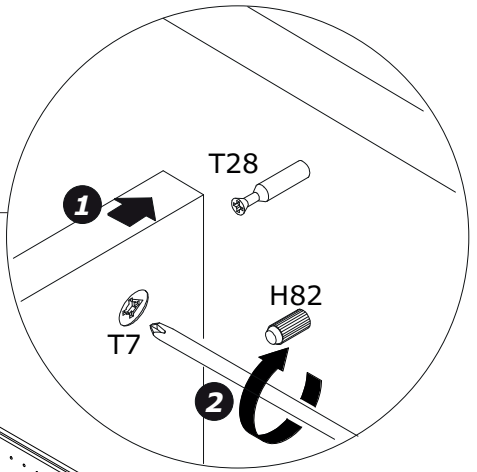
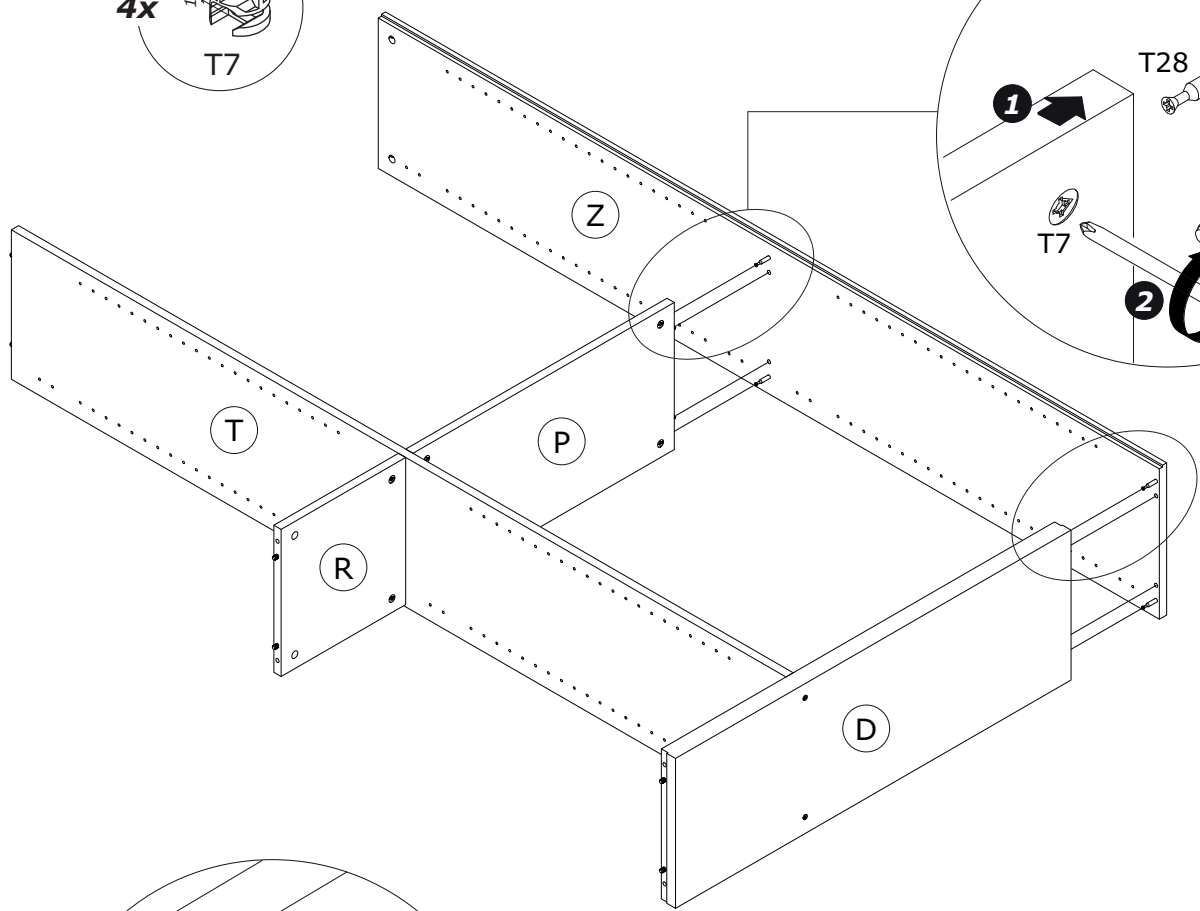
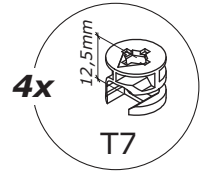
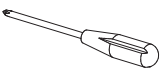


6

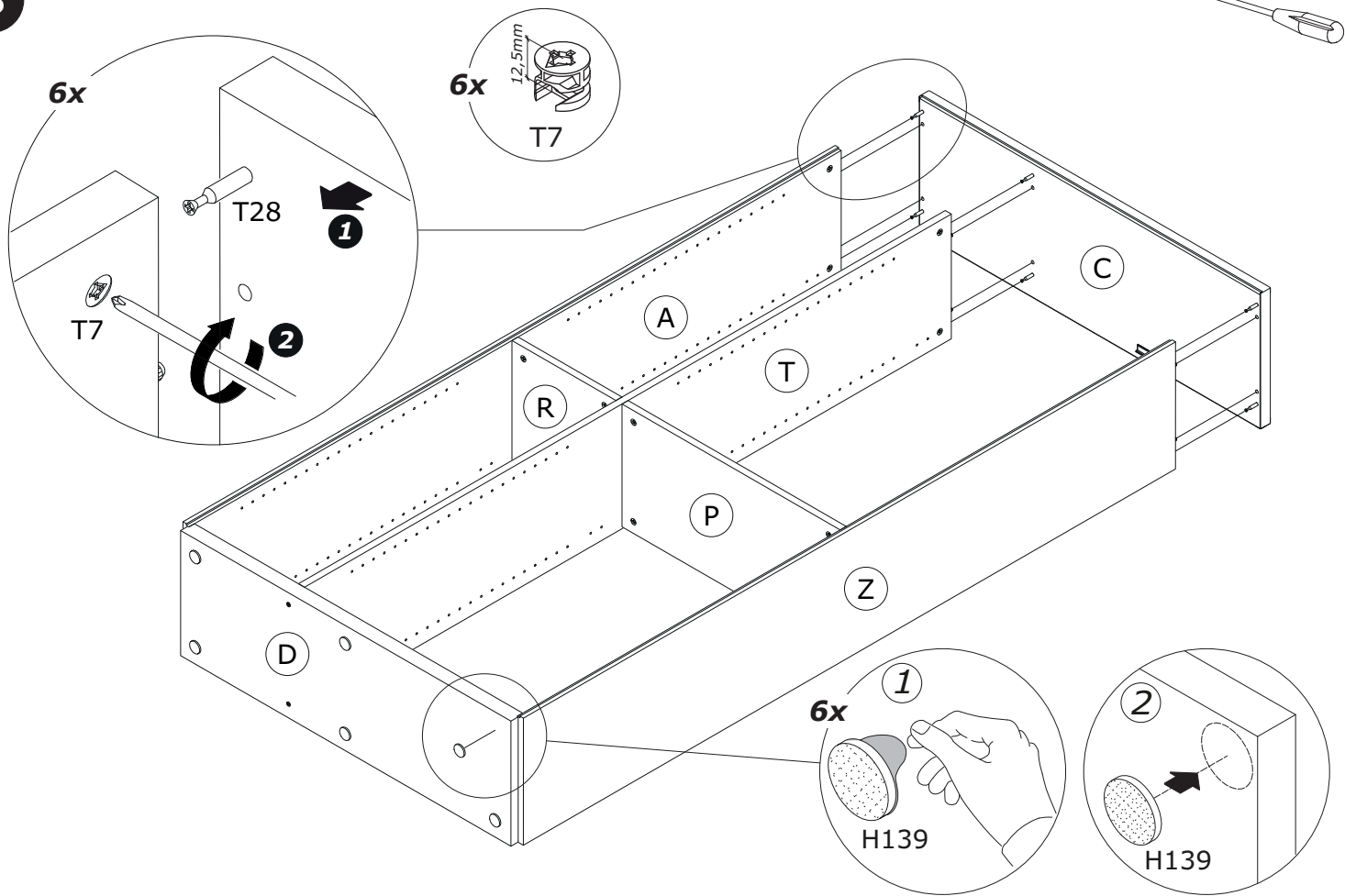




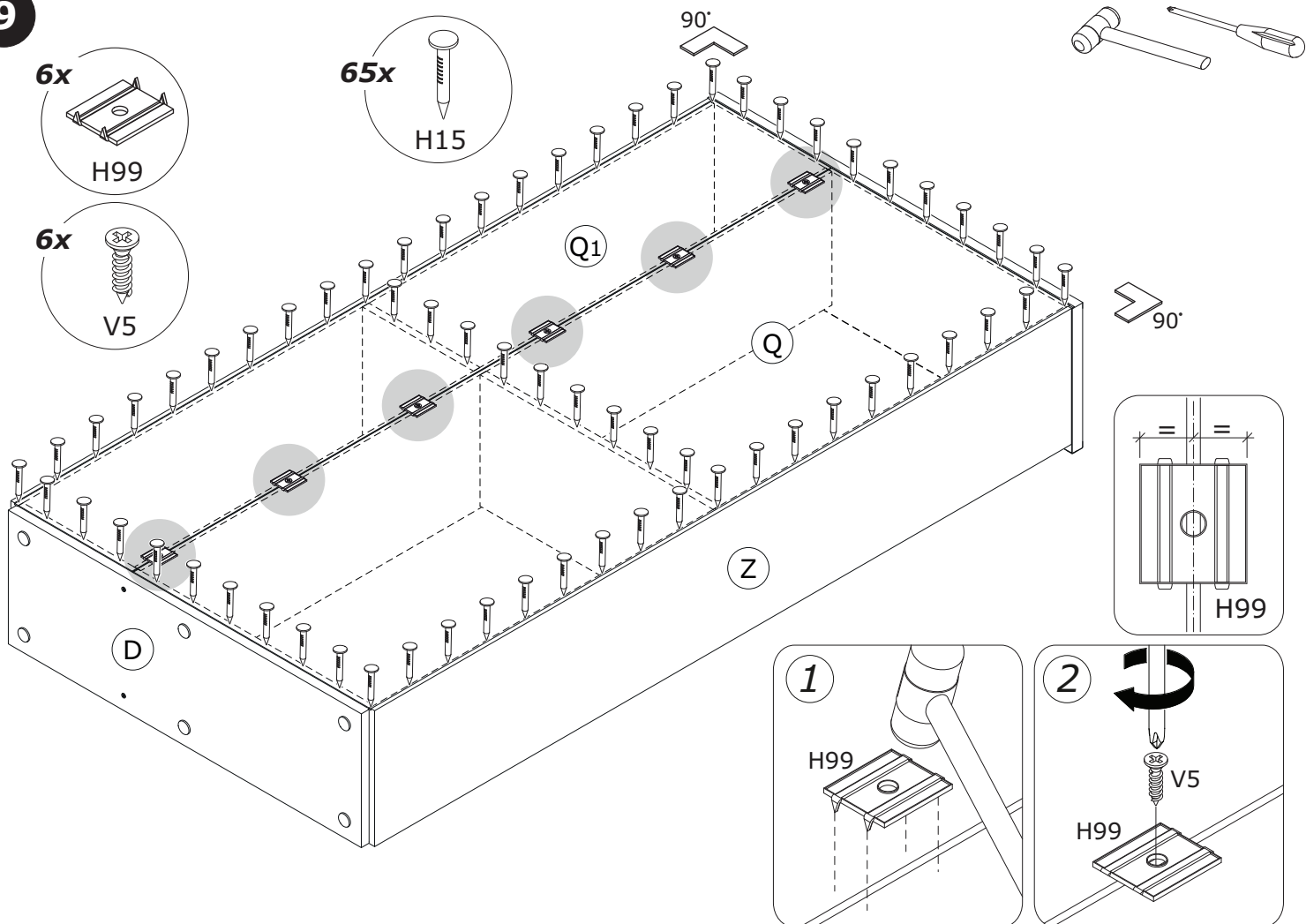
7

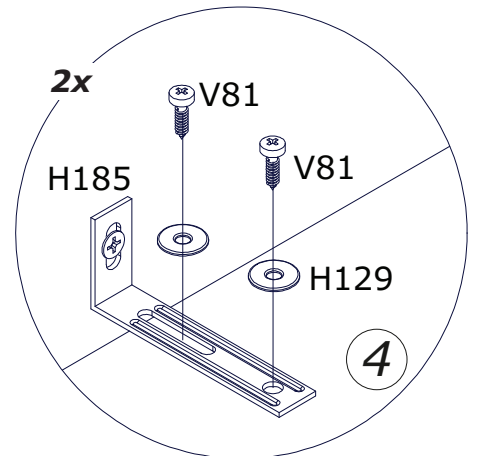
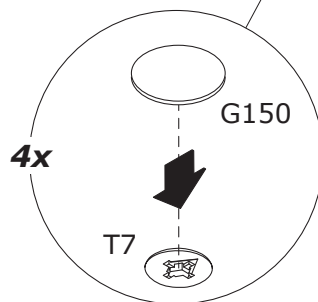
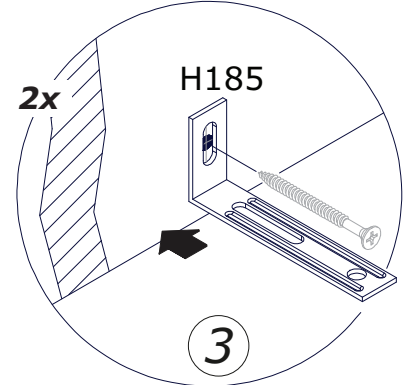
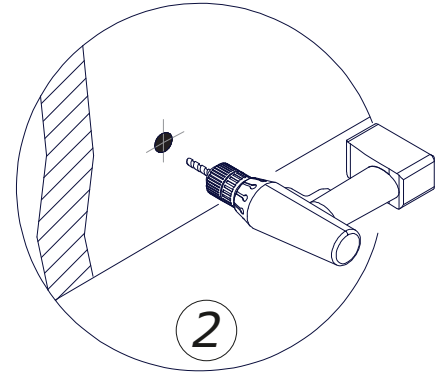
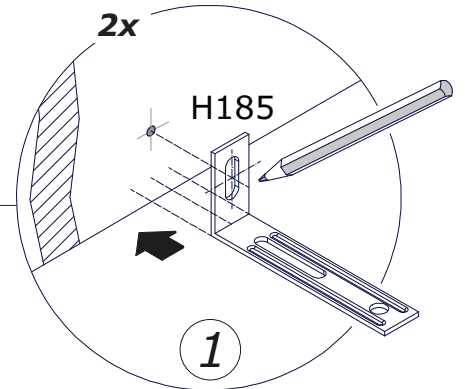
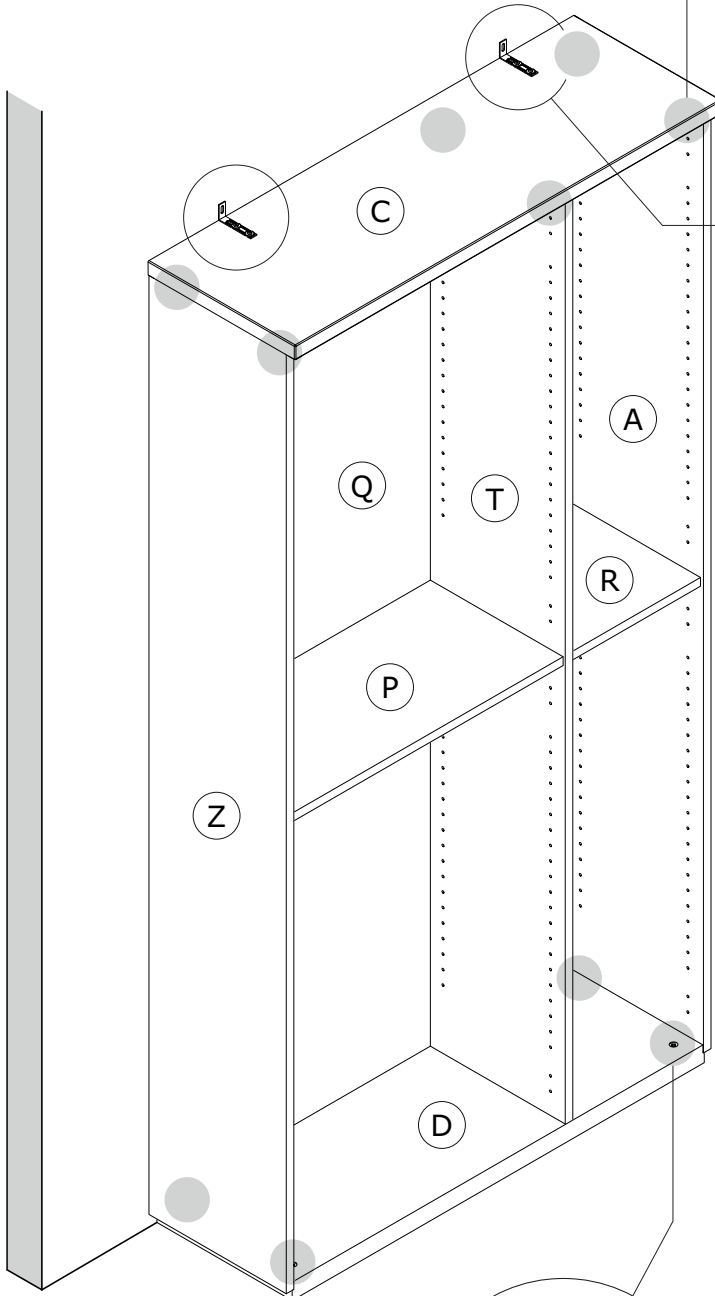
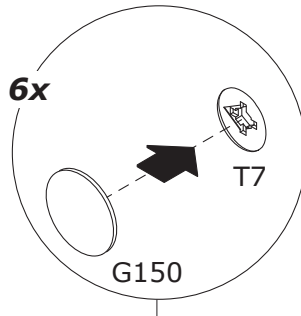
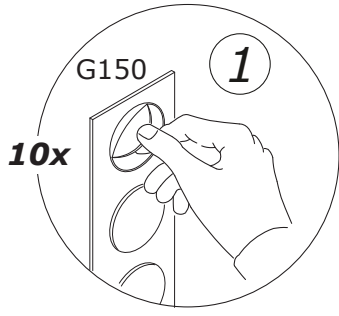
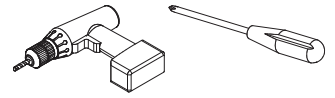


8

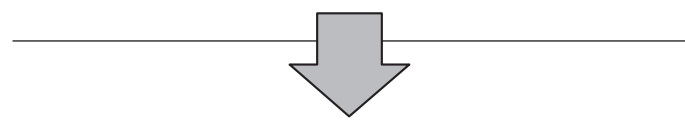
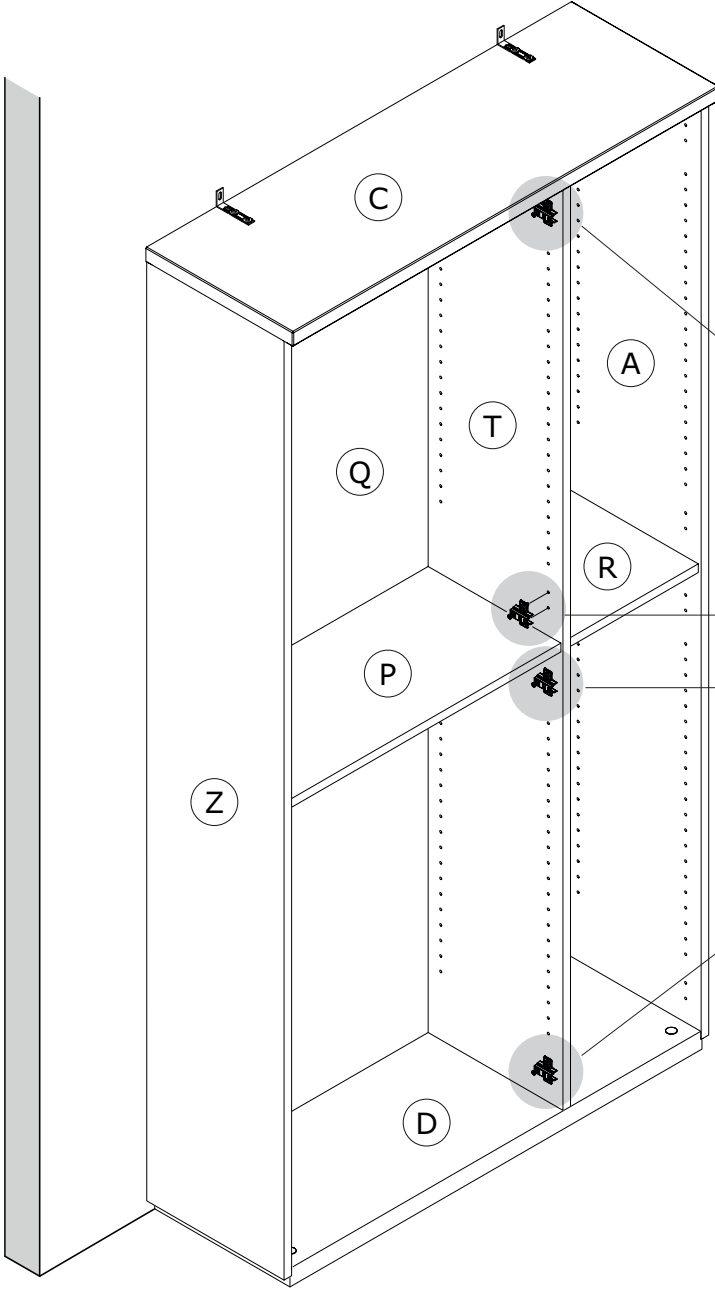
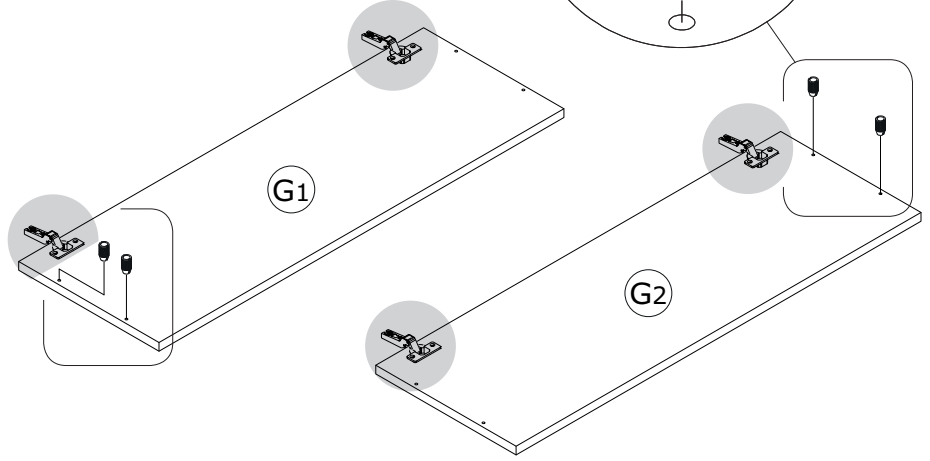
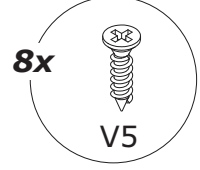
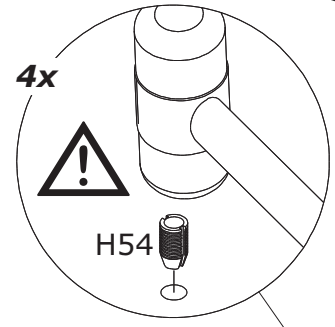
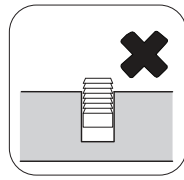
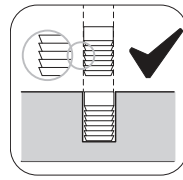
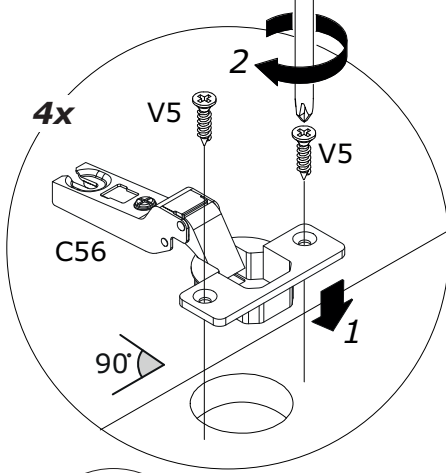


9

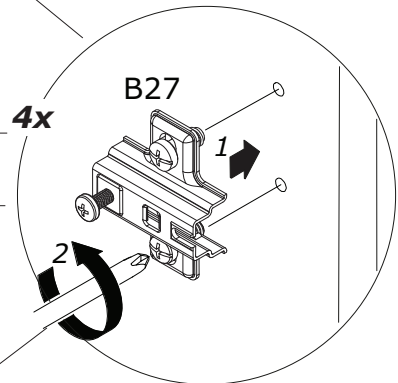




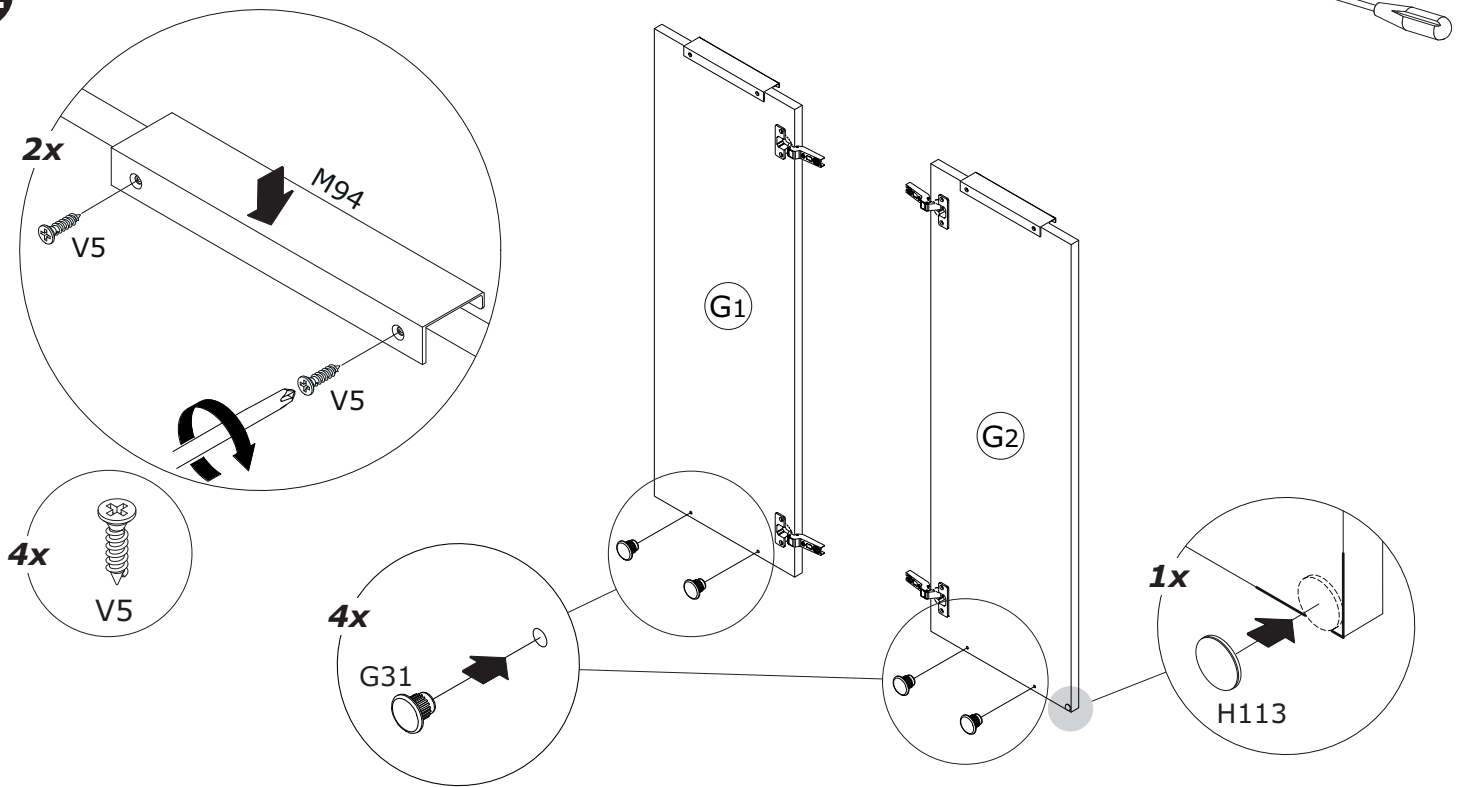
**! BU2783**



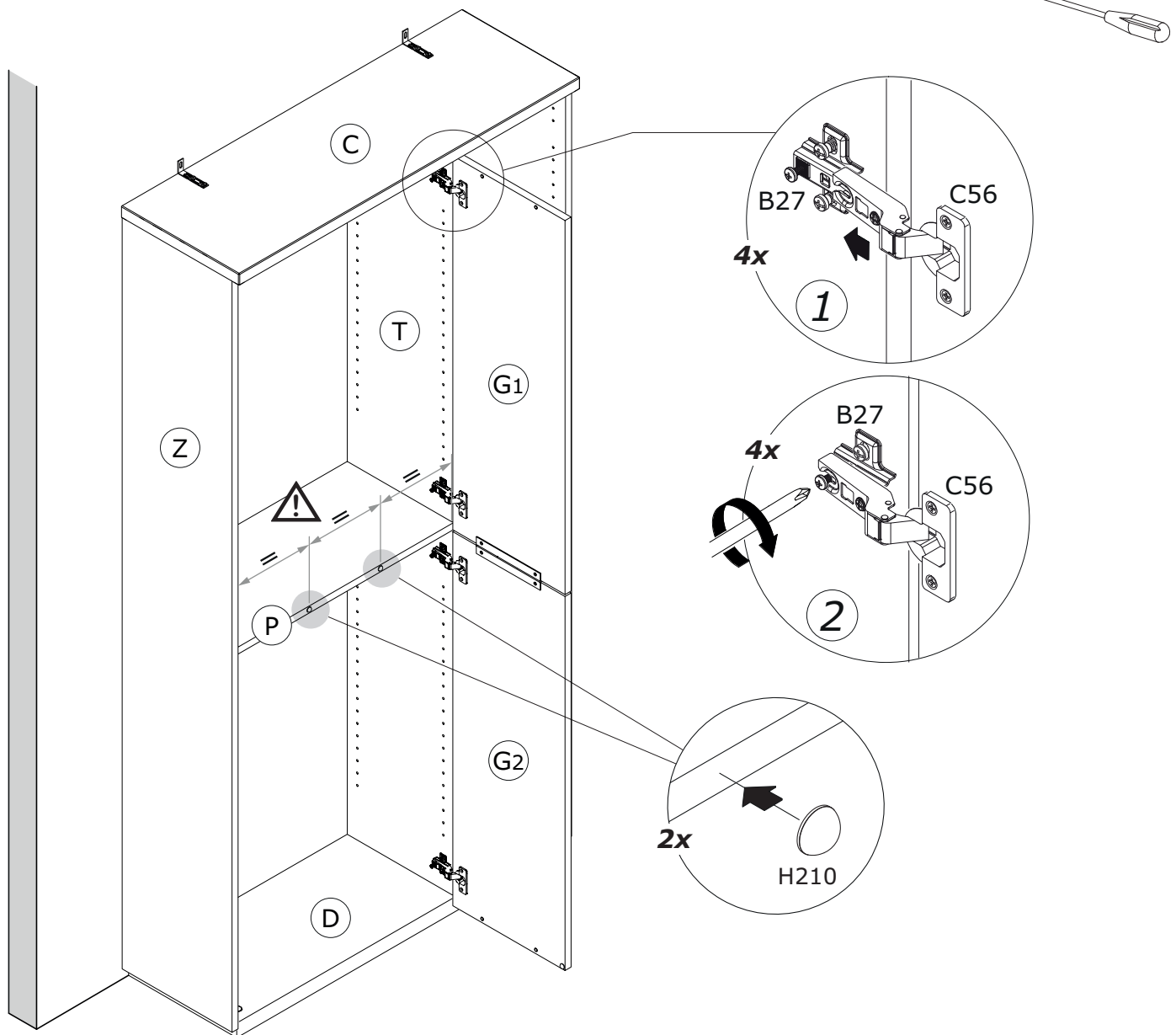
**! BU2783**

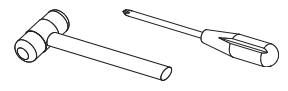


12

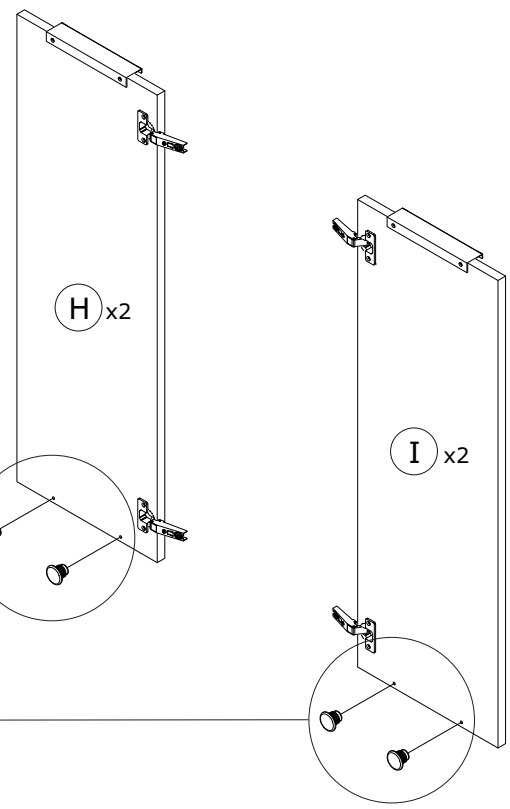
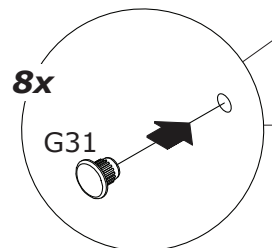
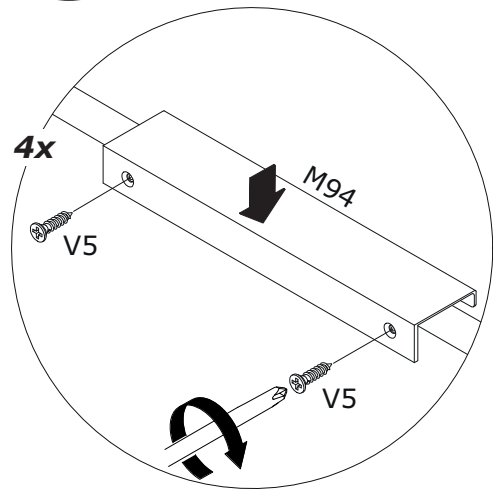
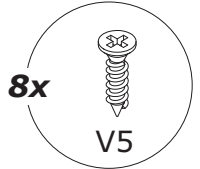
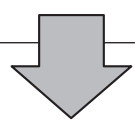
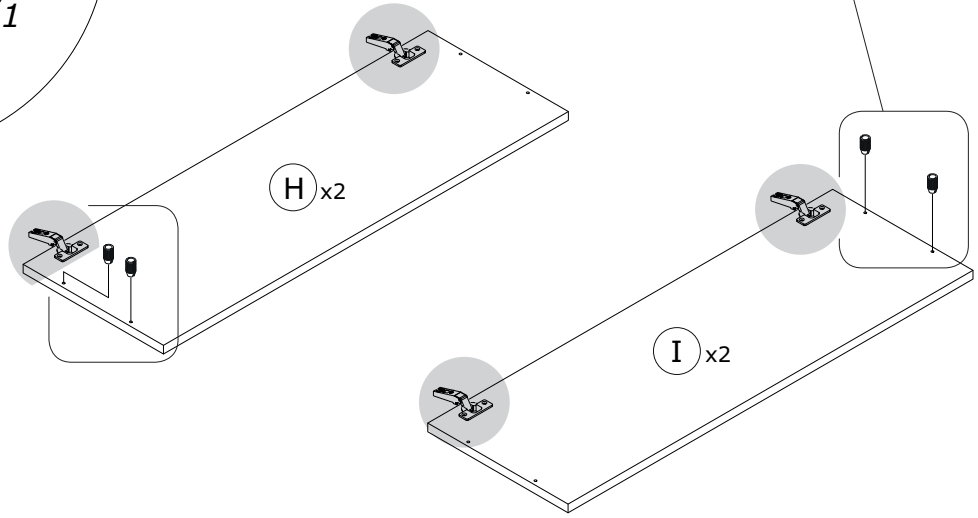
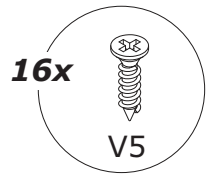
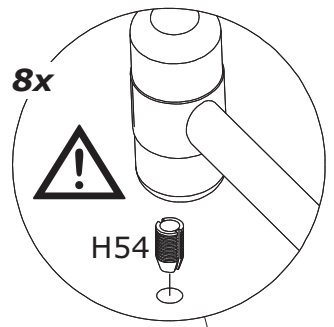
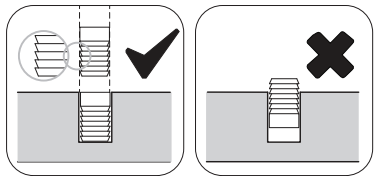
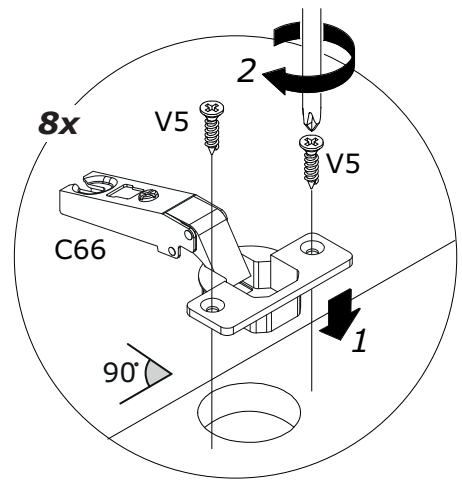


13

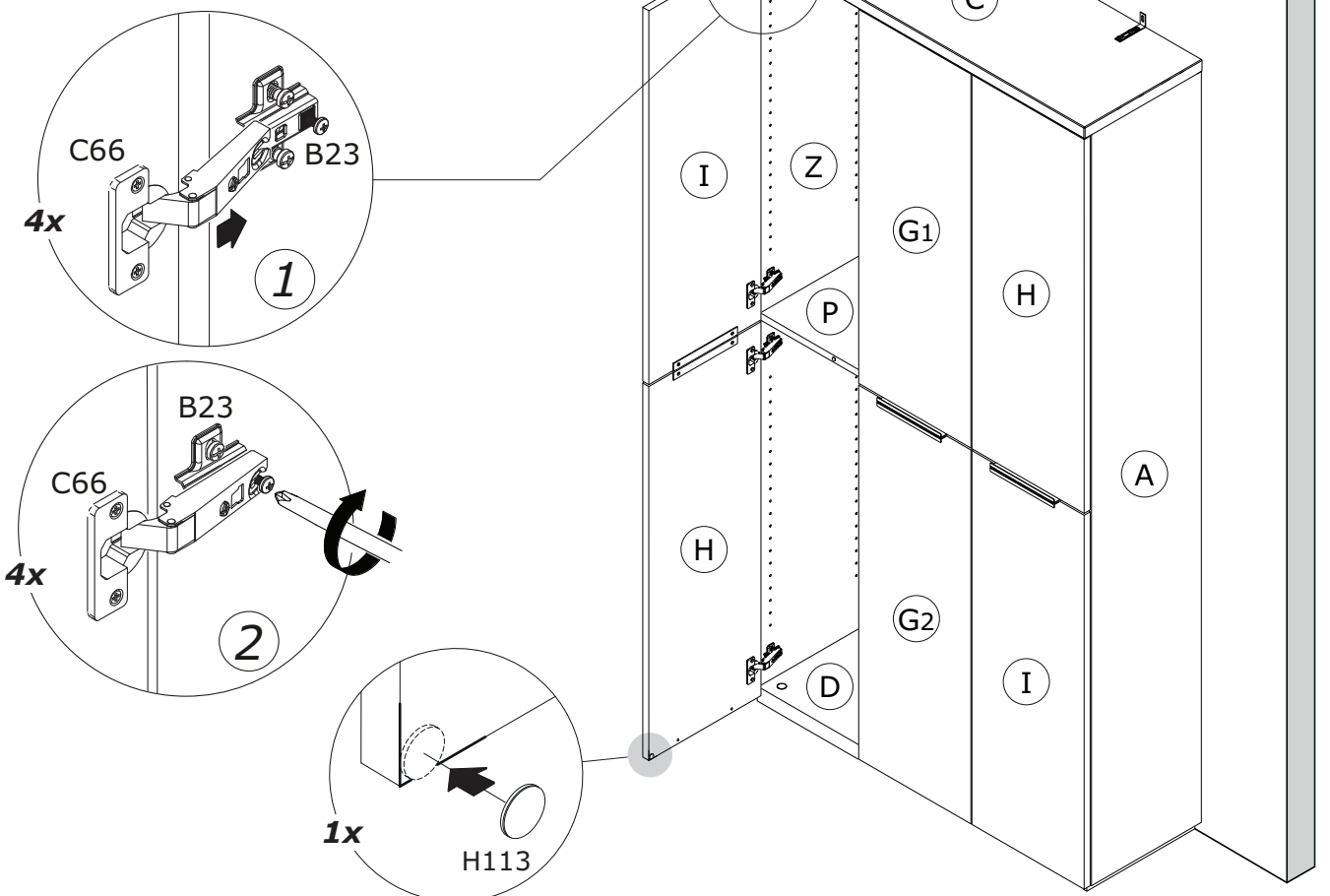
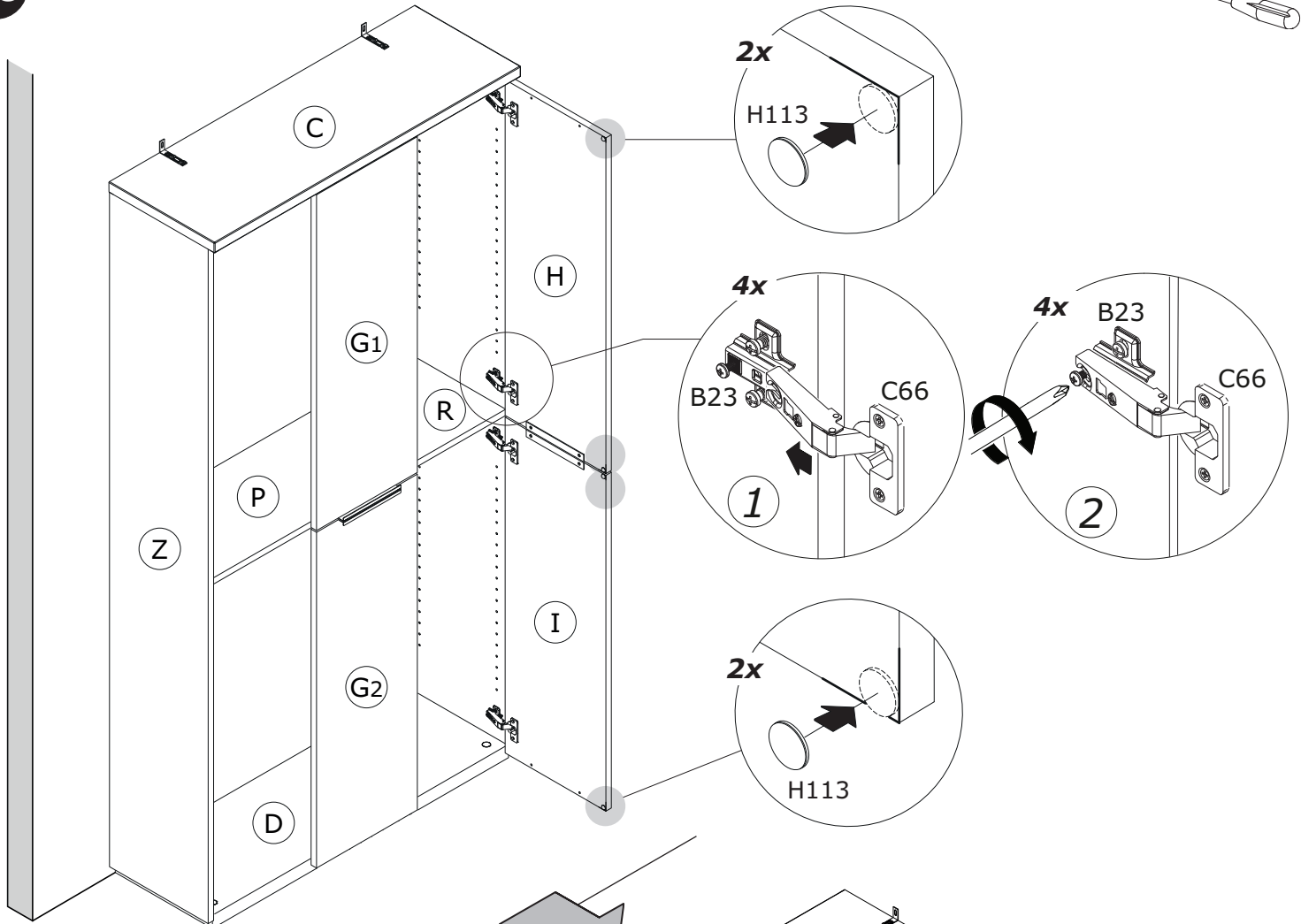
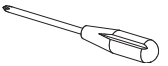




**! BU2782 x2**

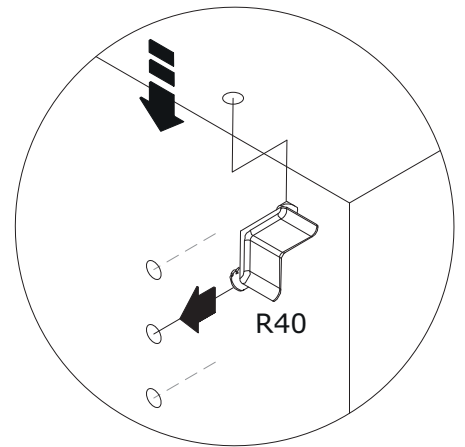
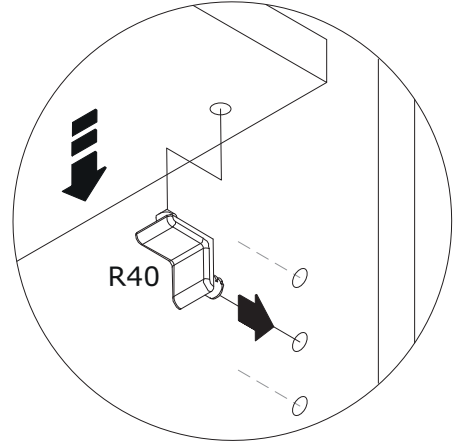
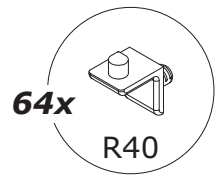
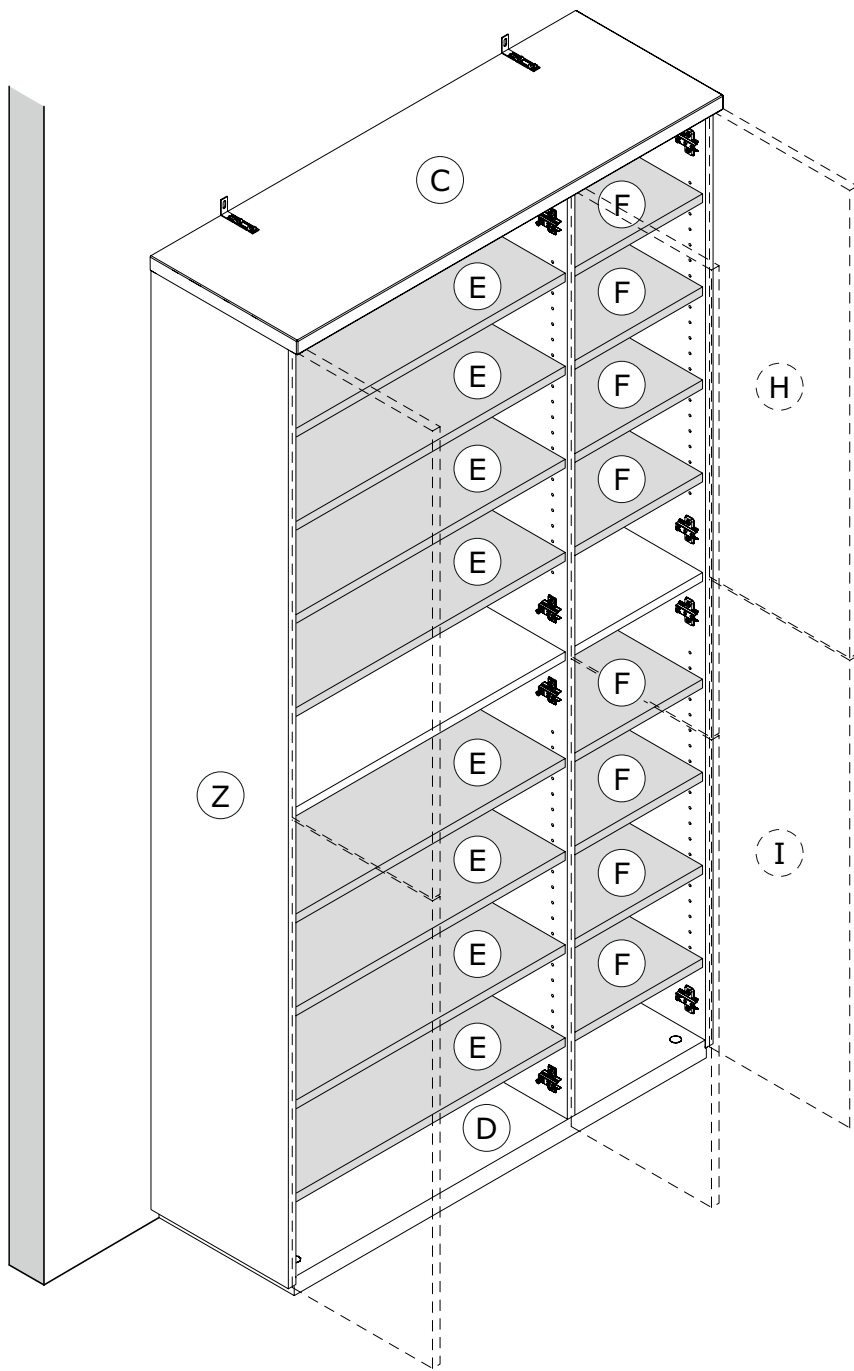








17



18

