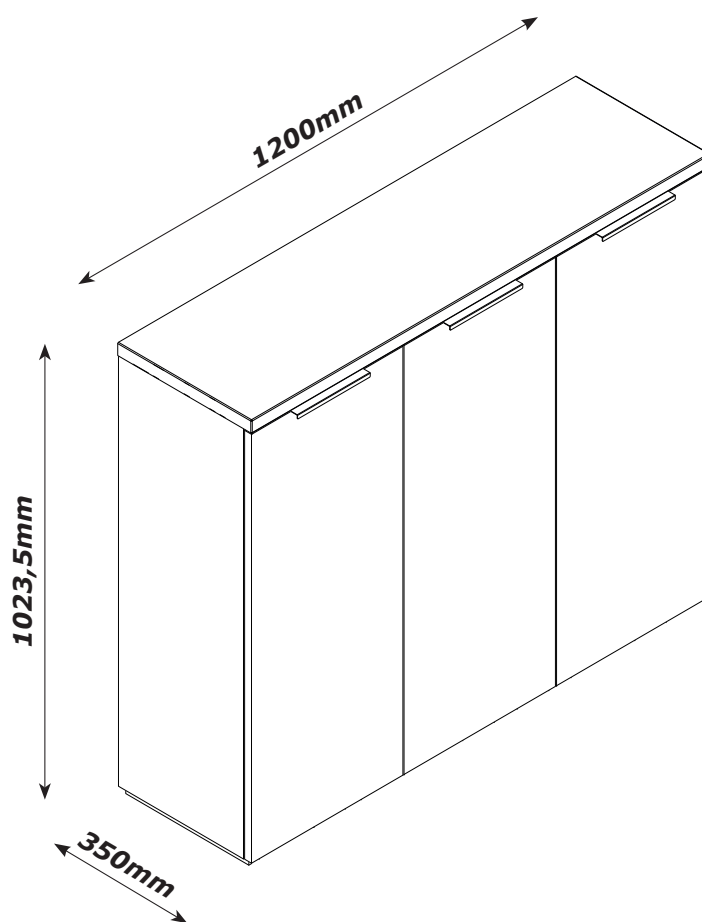
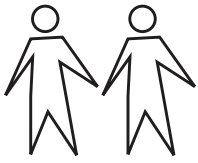


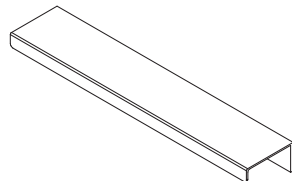
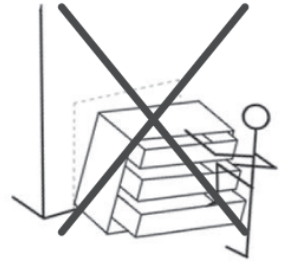
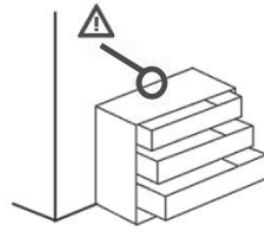
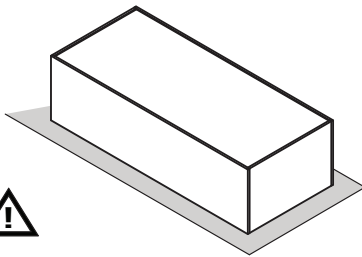
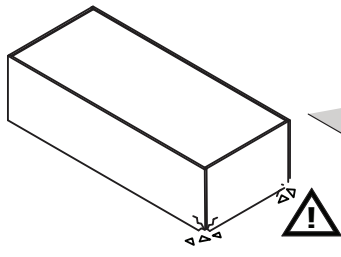
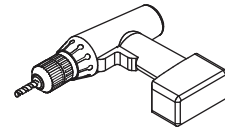
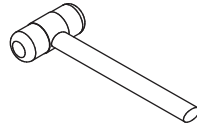
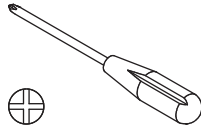
BS3490K64904



QF4991-1

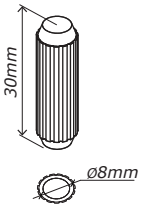


1,5h



M94
x3

BU4119



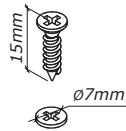
H1
x12



T28
x10



T7
x10



V5
x9



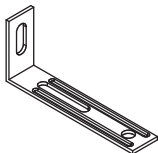
H15
x36



H54
x6



V115
x2



H185
x1



H129
x2



V81
x2



H113
x6



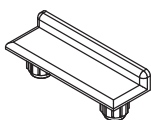
H139
x6



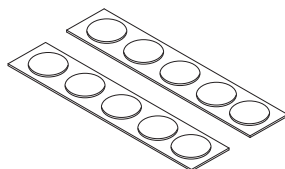
R40
x32



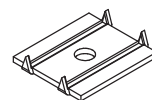
G31
x6



H114
x1

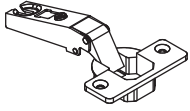


G150
x10

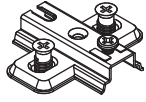


H99
x3

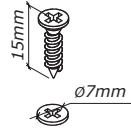
BU2782



C66
x4

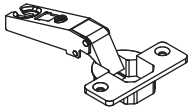


B30
x4

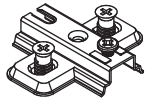


V5
x8

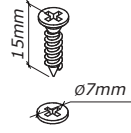
BU3651



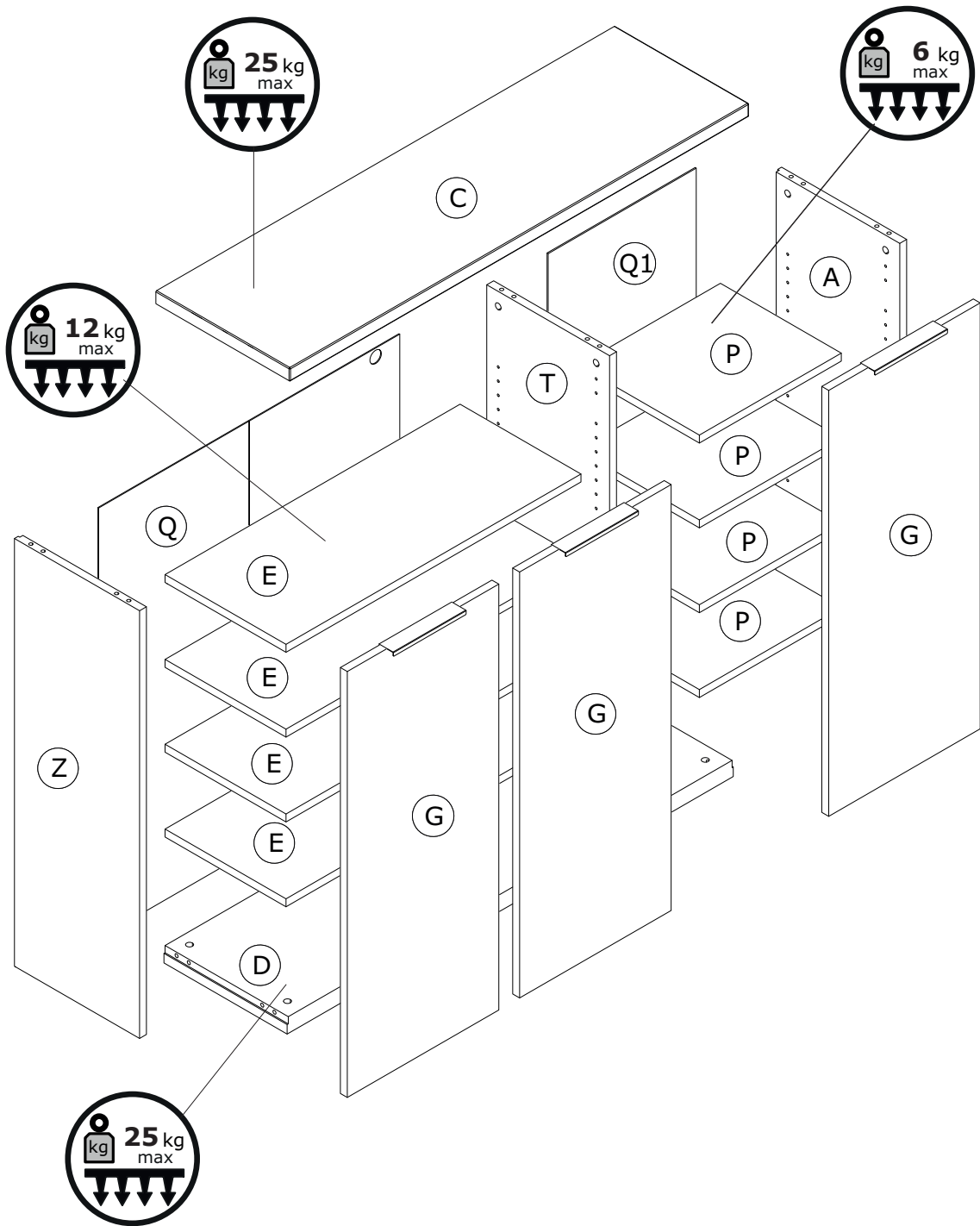
C56
x2

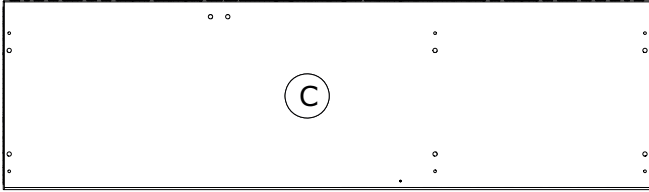


B27
x2

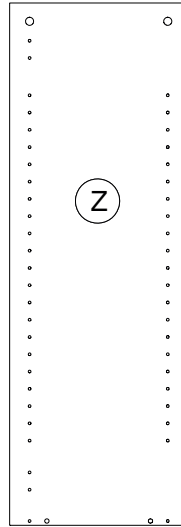


V5
x4

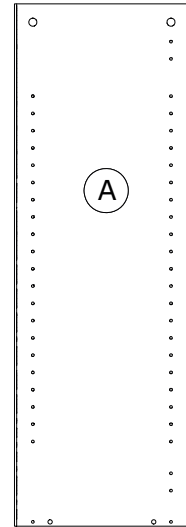




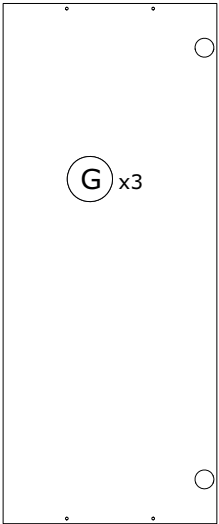
CA3505
1200x350x30mm



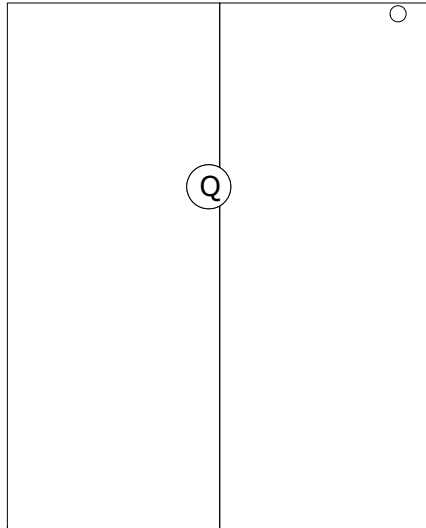
FI8505
968x327x18mm



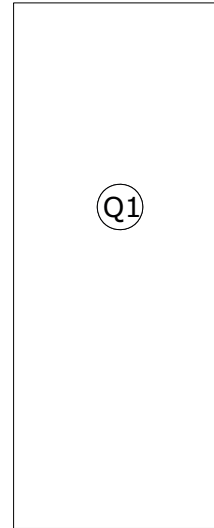
FI8507
968x327x18mm



AN2801
964x396x18mm



SS0725
974x787x2mm

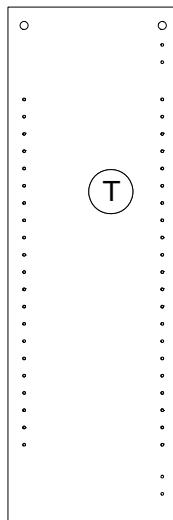


SH3277
974x387x2mm

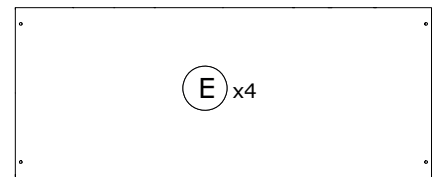
BOX 1/2



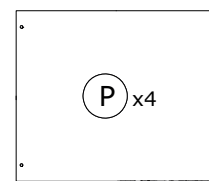
BA2145
1166x322x38mm



TR2183
952x321x18mm



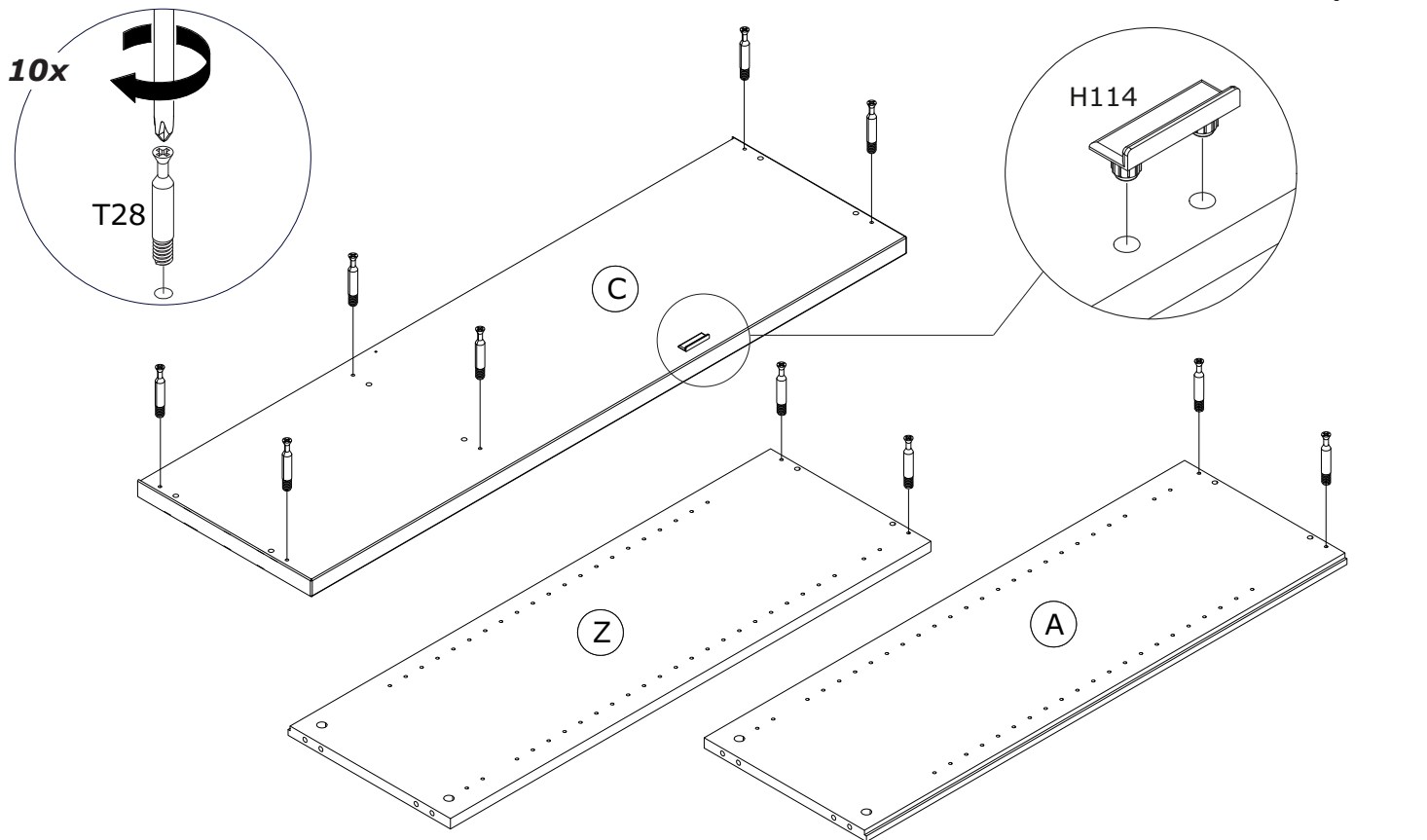
PI7074
771x316x18mm



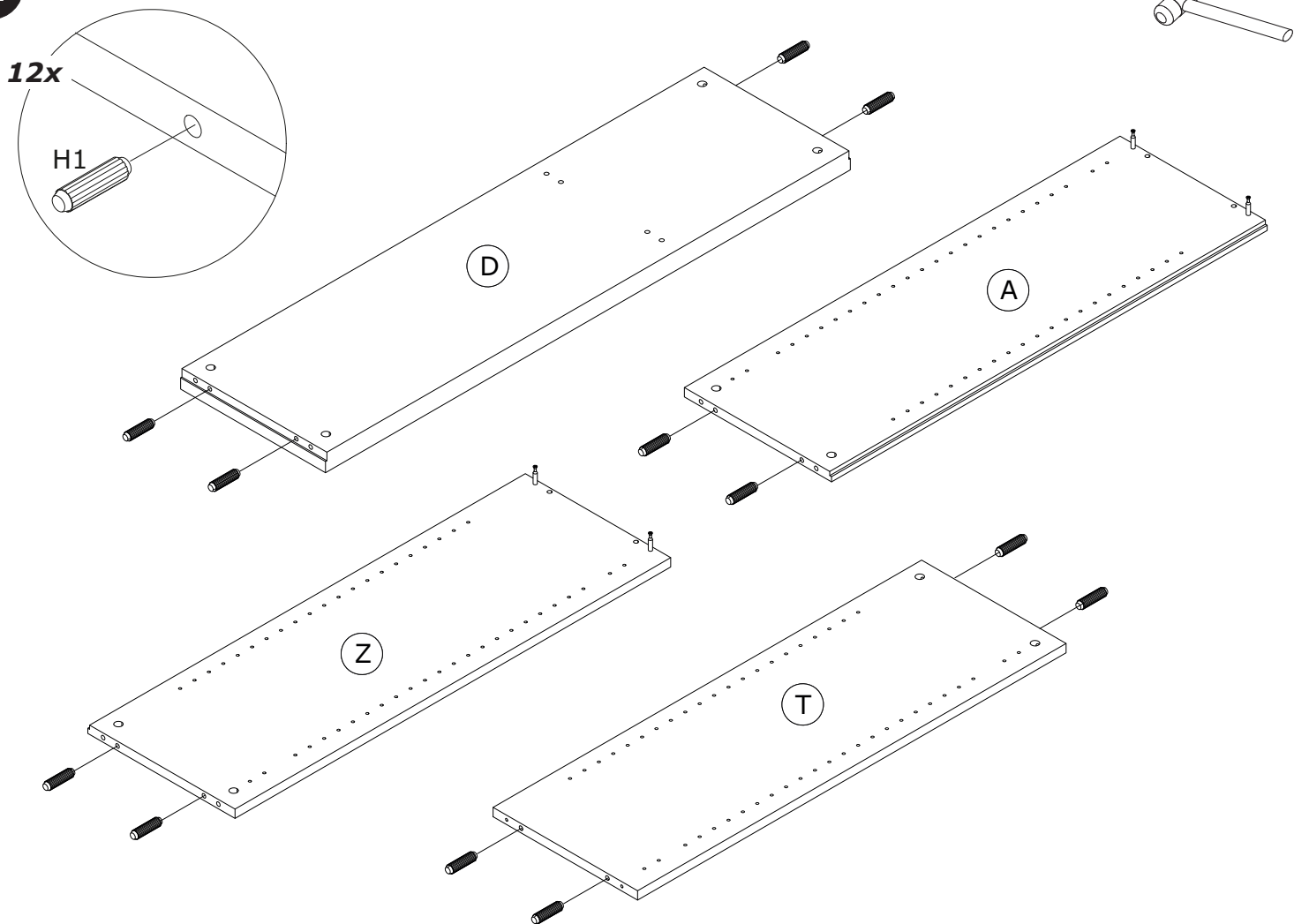
PI7075
371x316x18mm

BOX 2/2

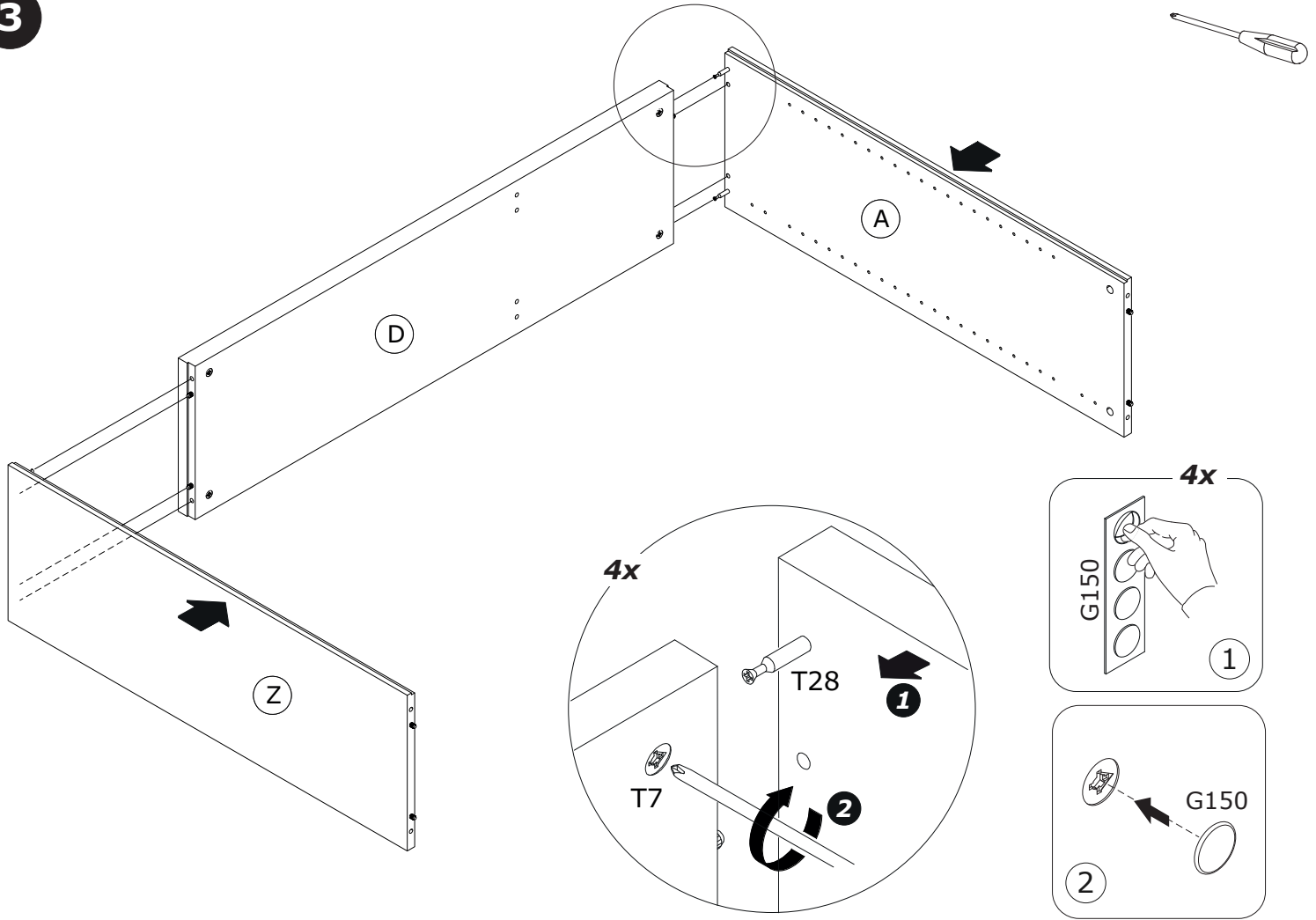
1



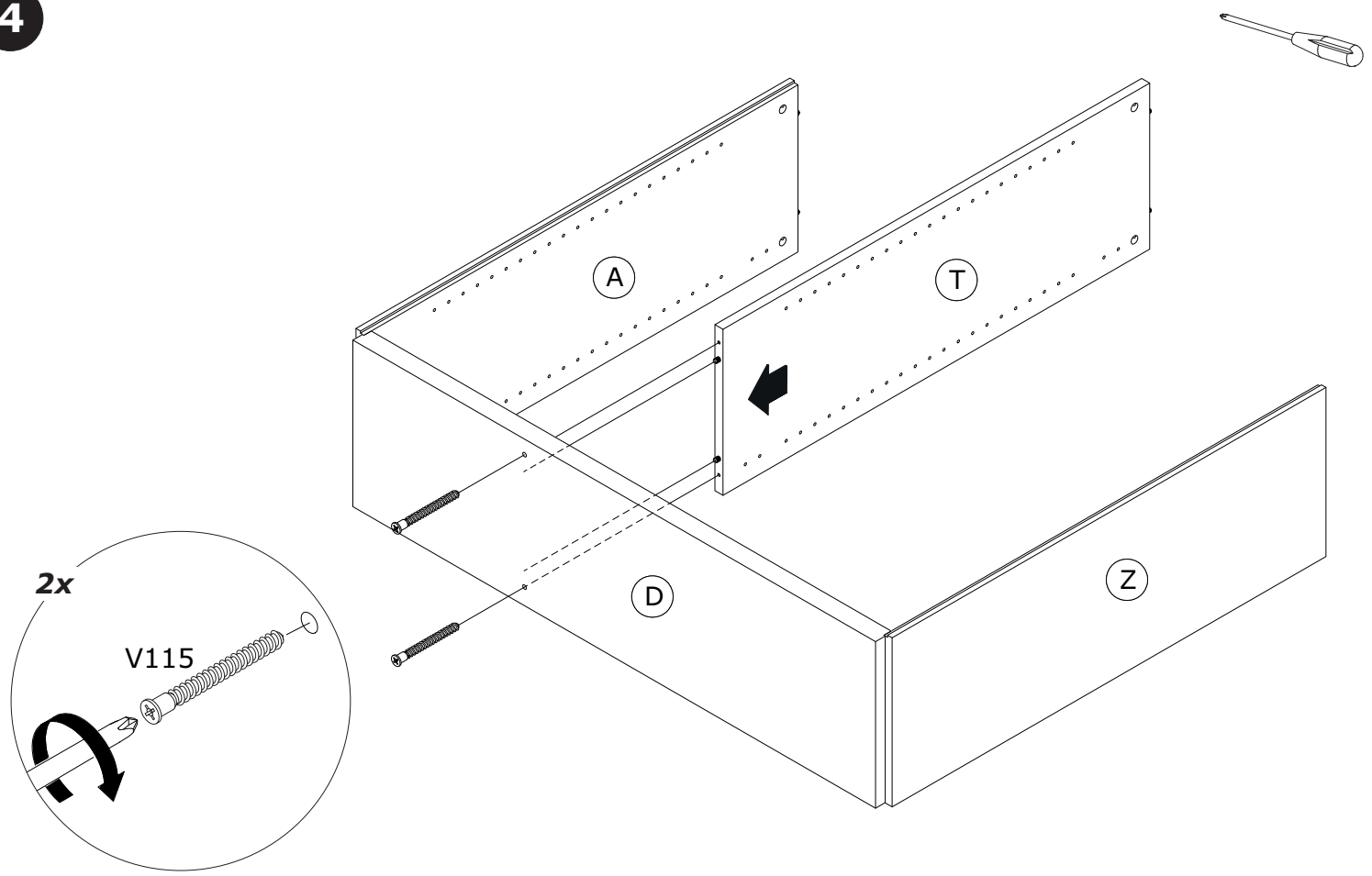
2

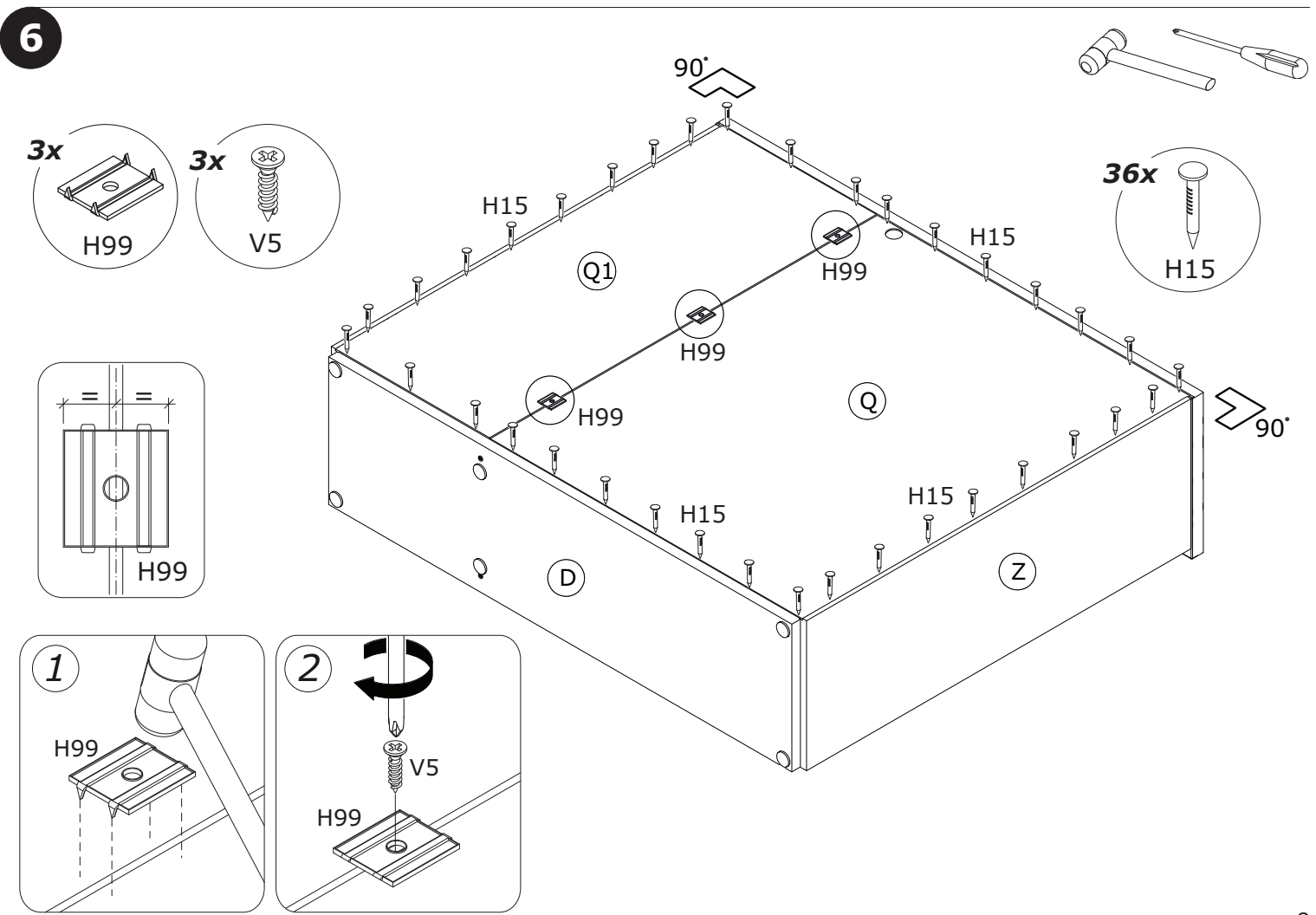
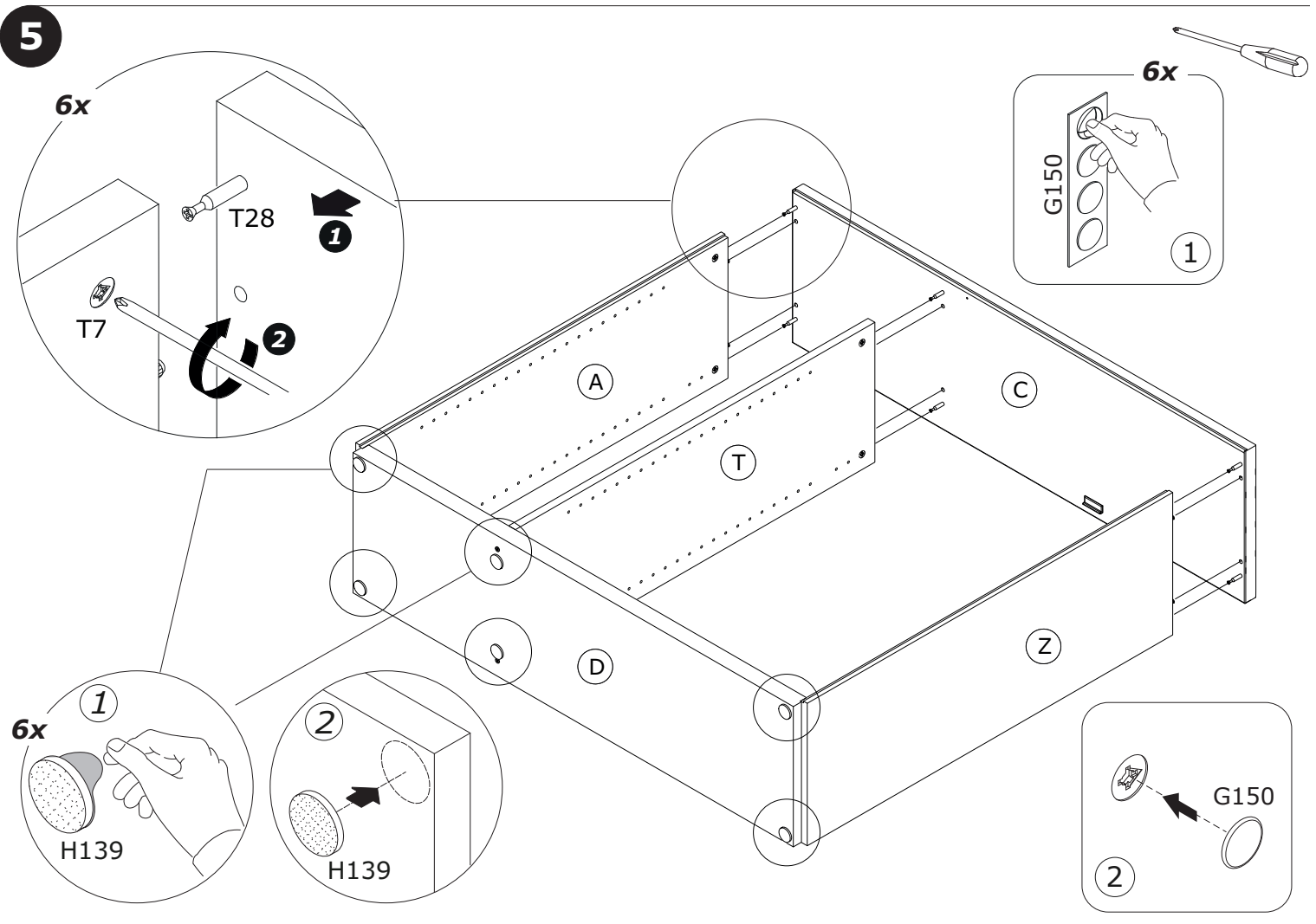


3

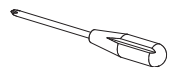
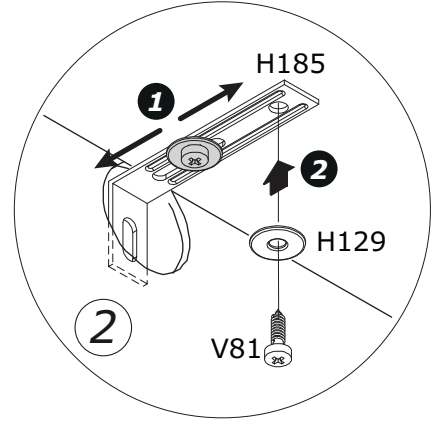
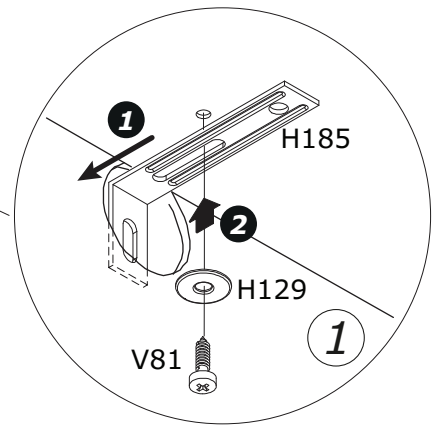
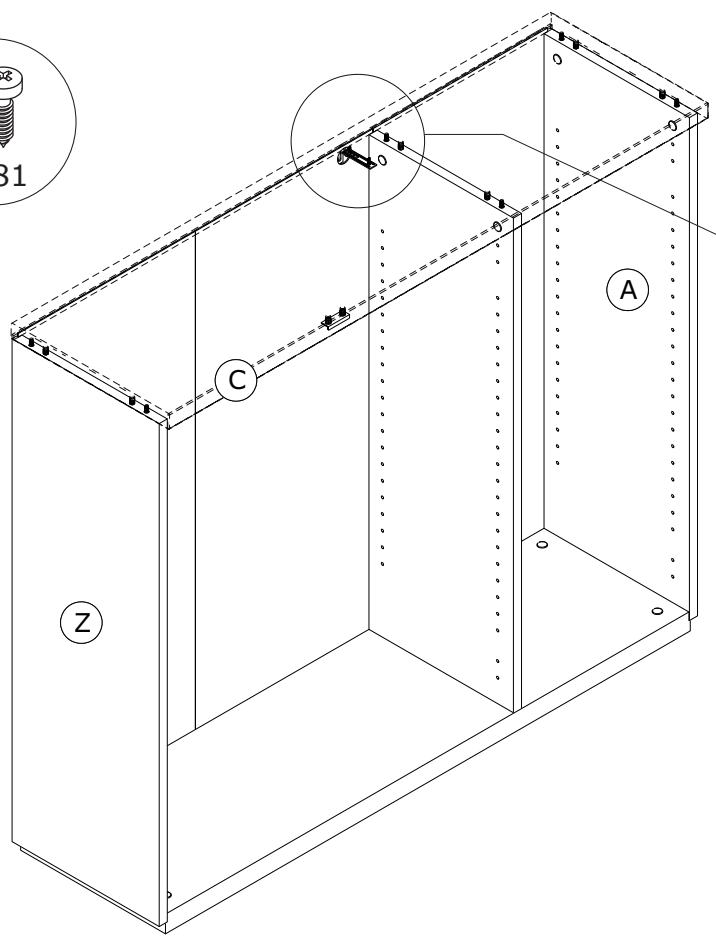


4

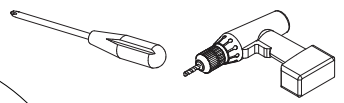
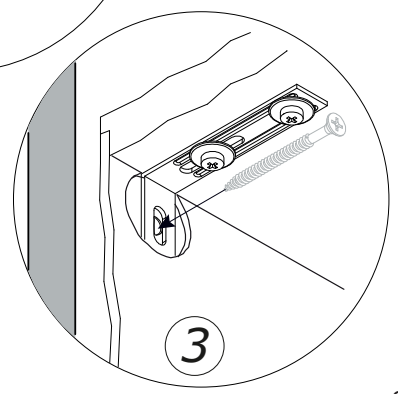
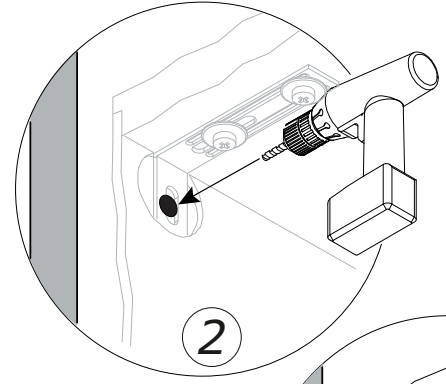
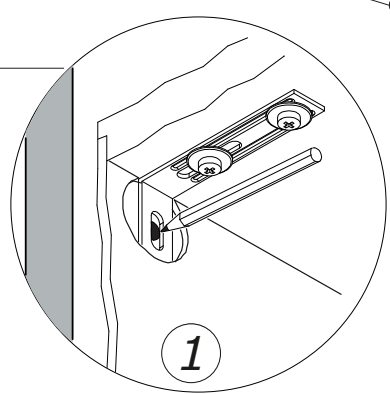
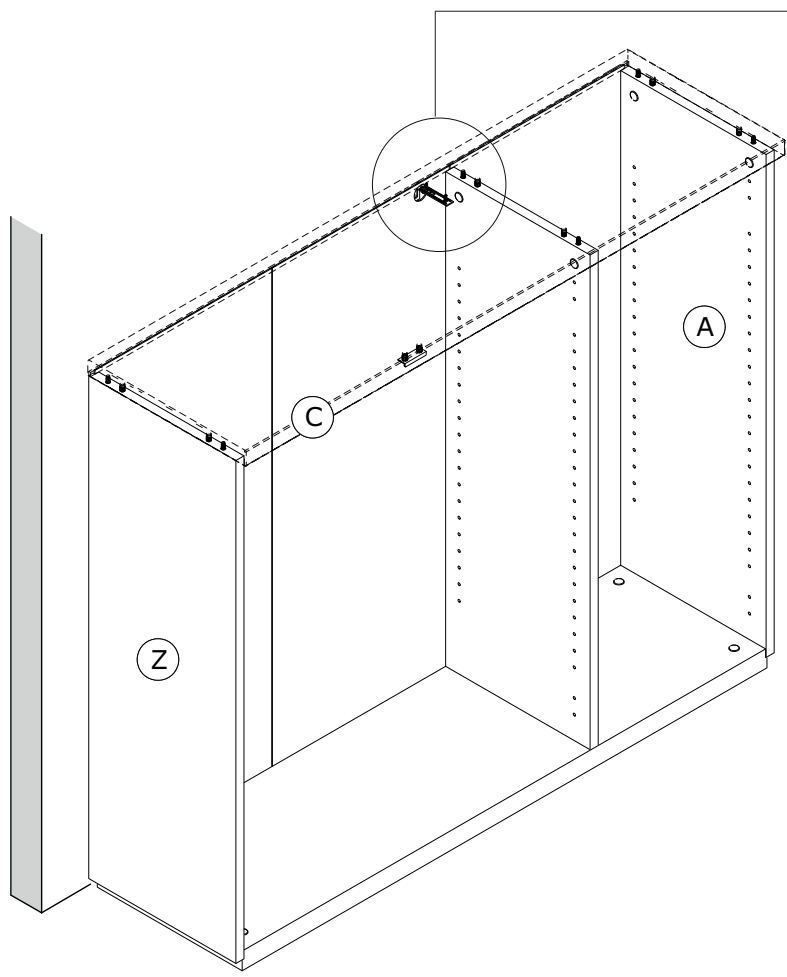




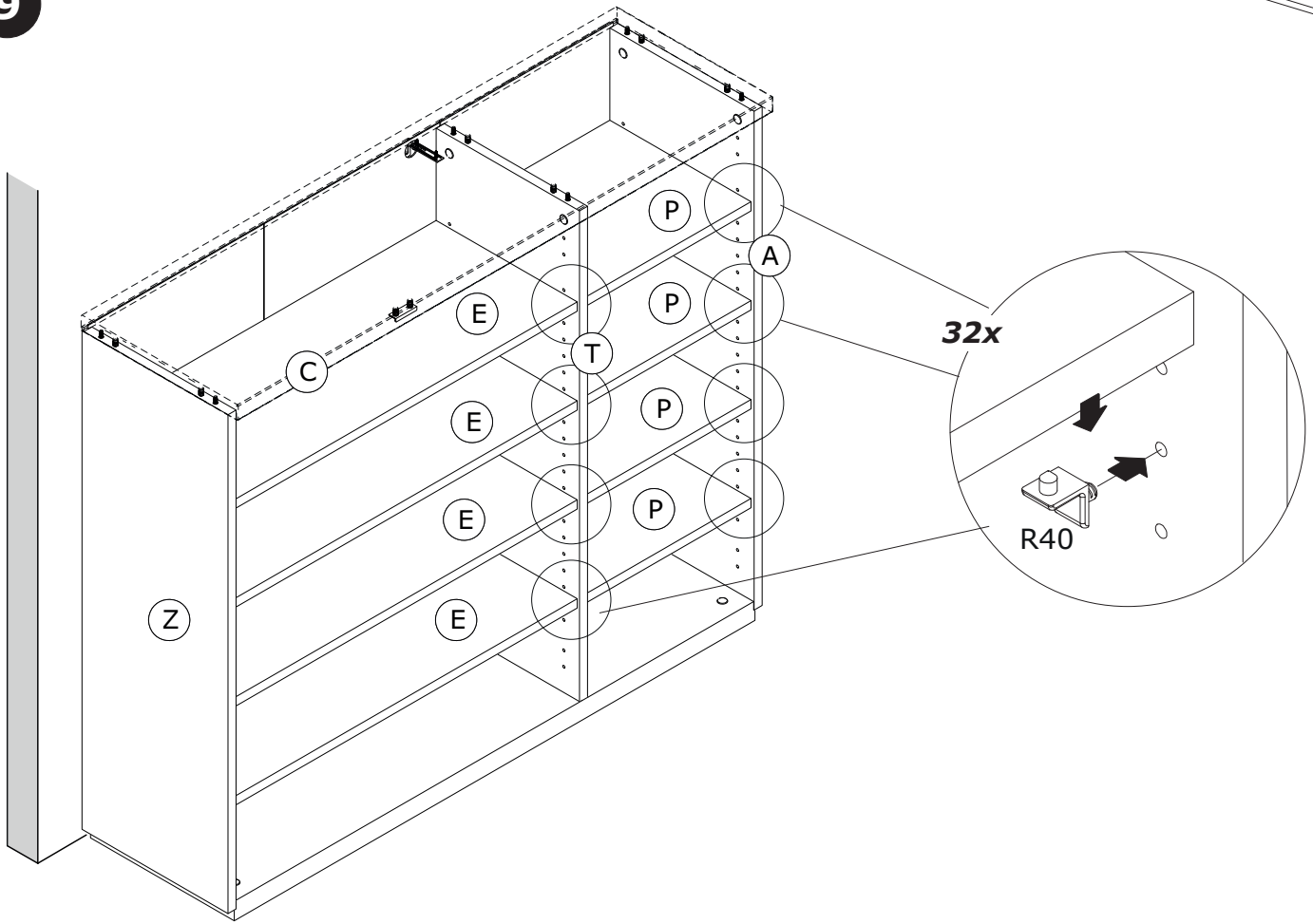
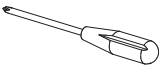
7



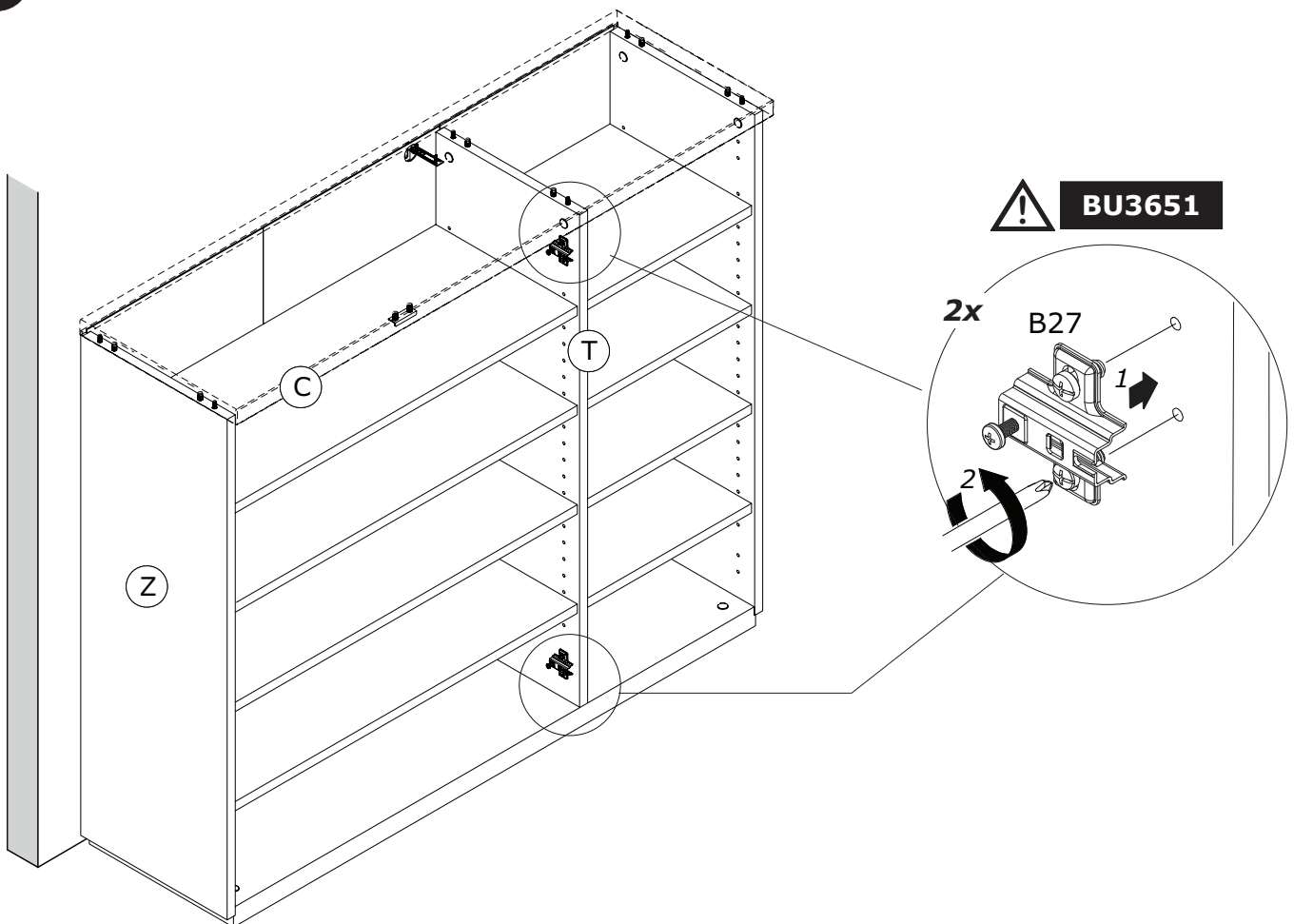
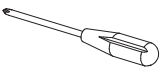
8



9



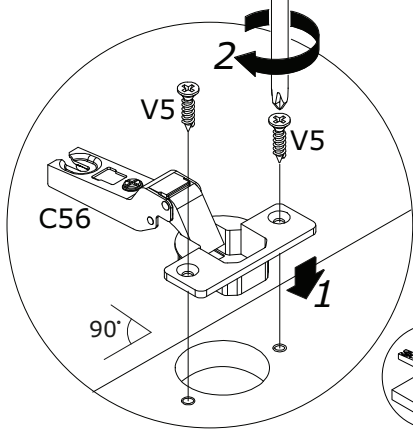
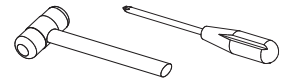
10



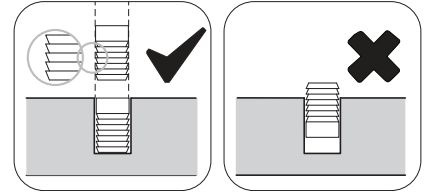
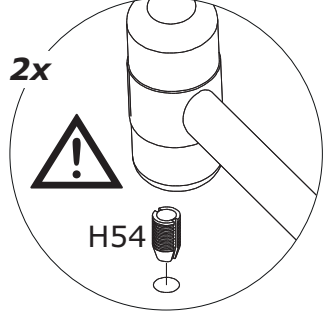
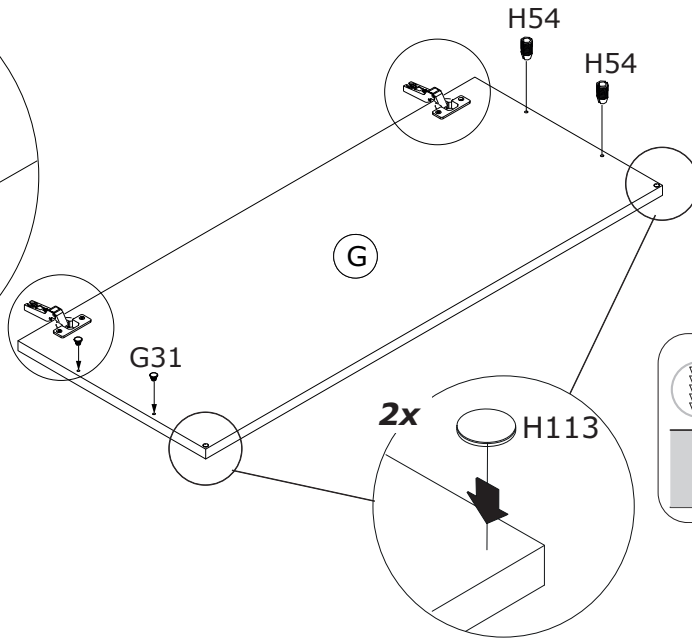
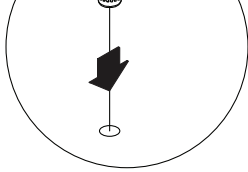
11



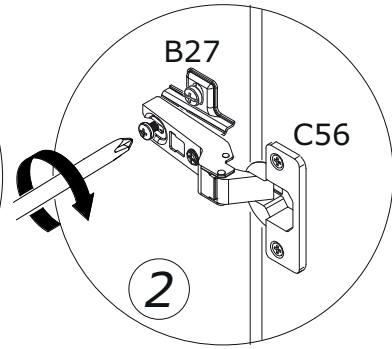
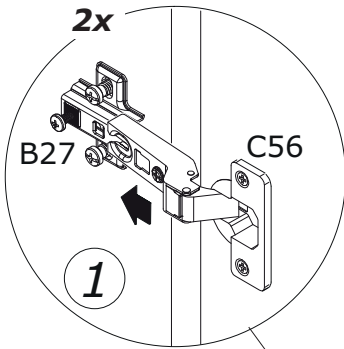
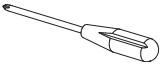
BU3651



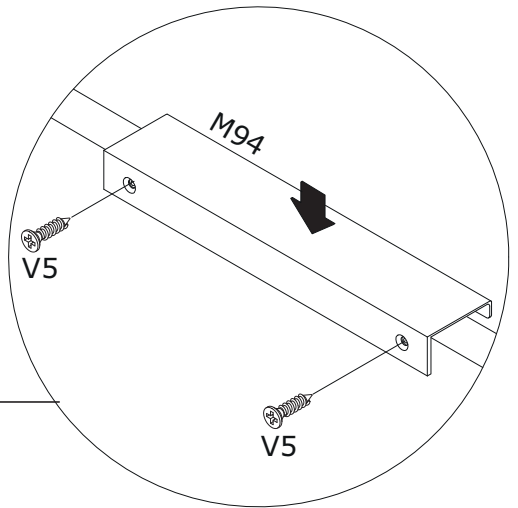
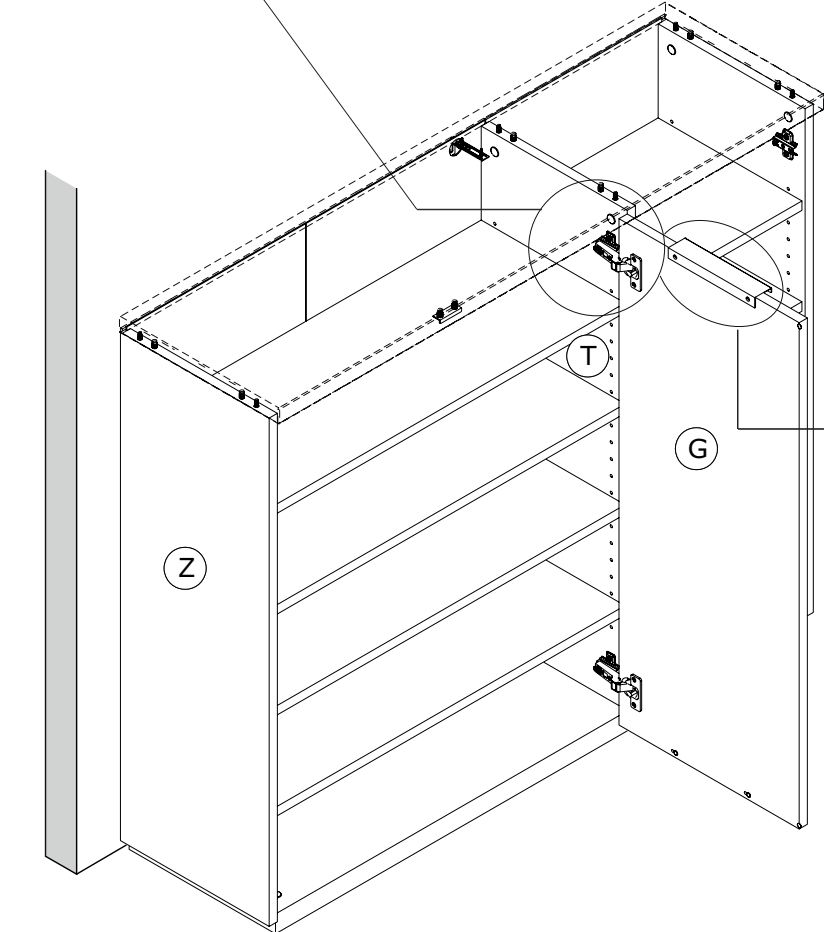
2x G31



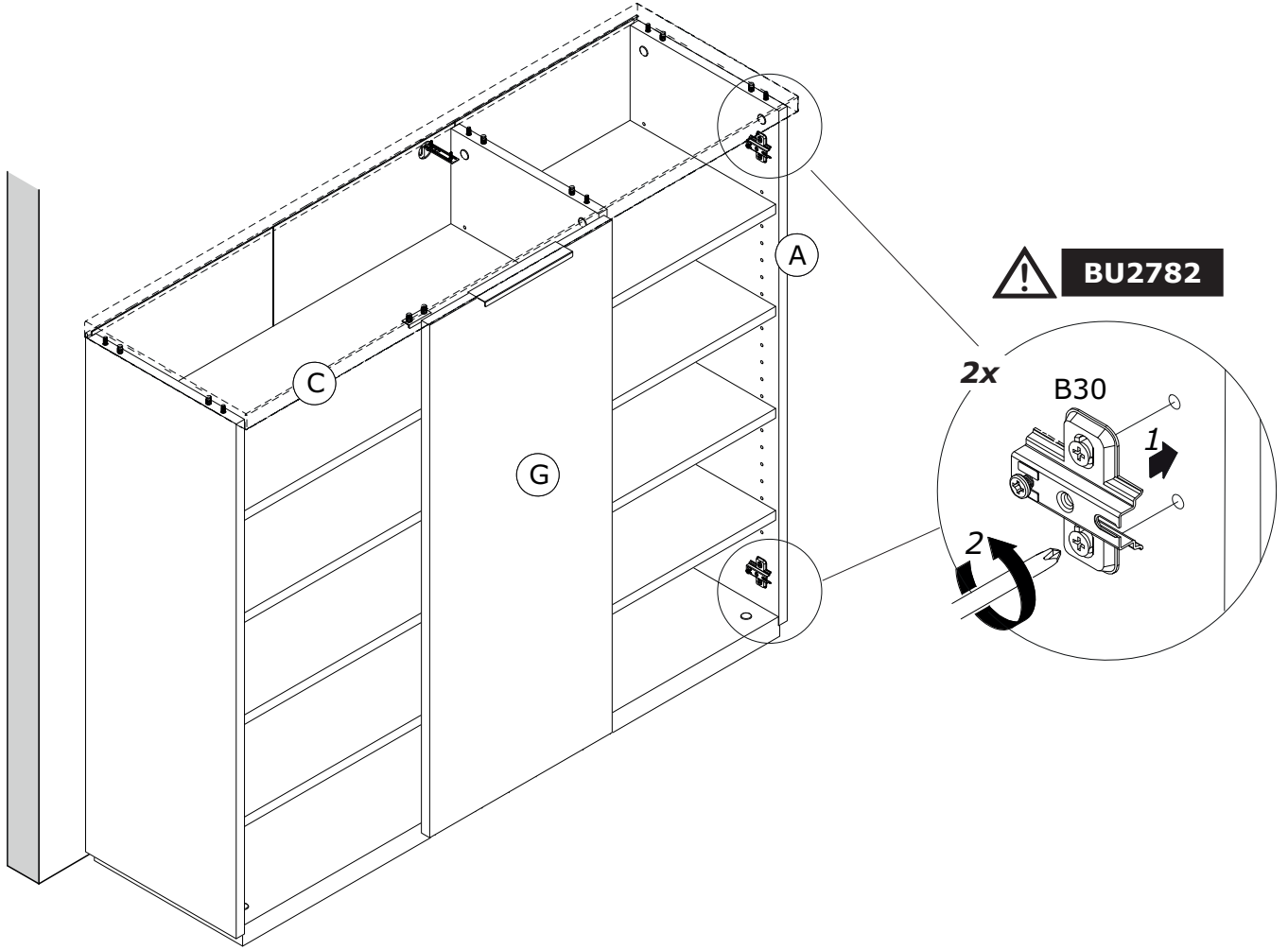
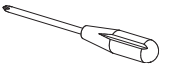
12



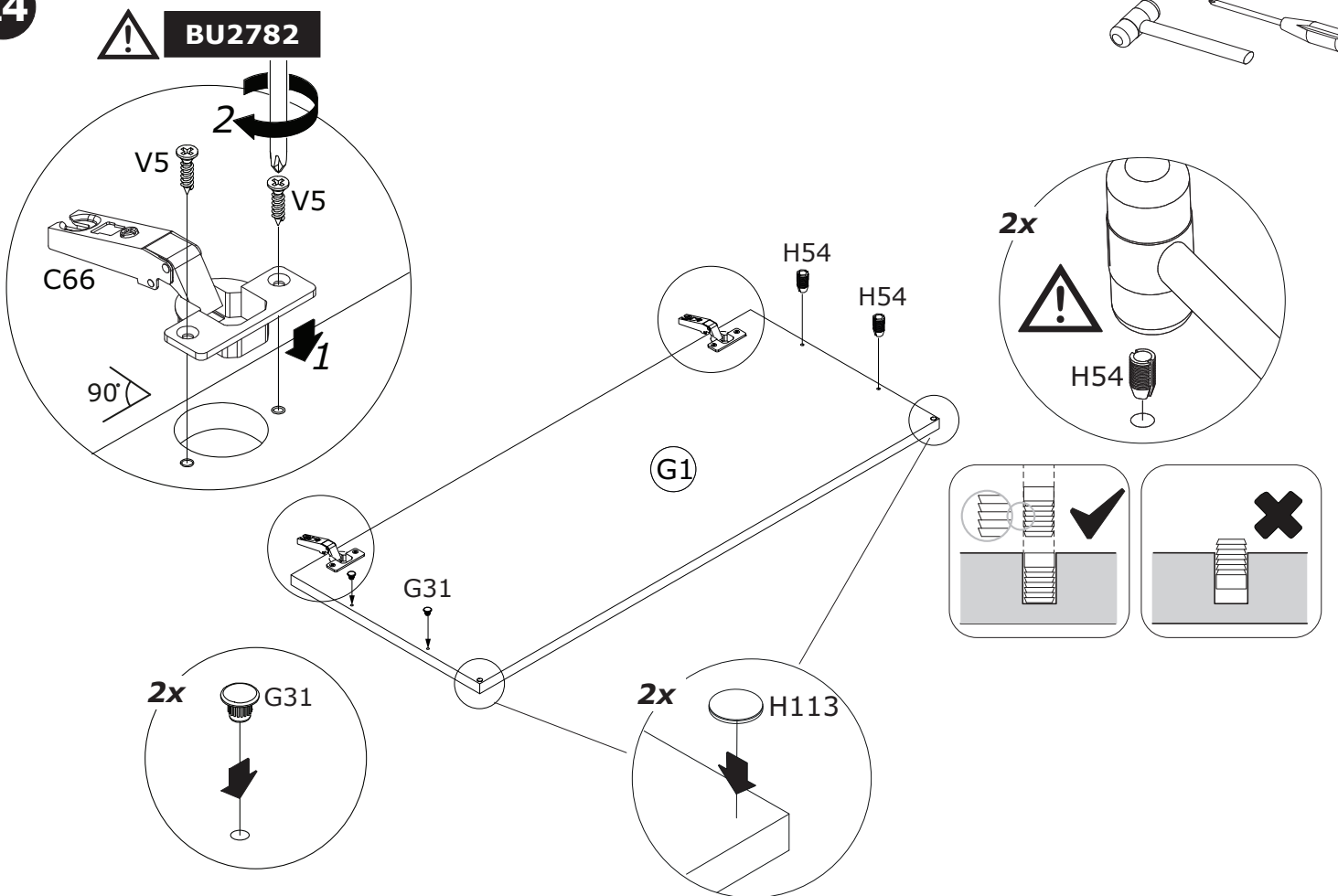
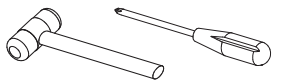
2x V5



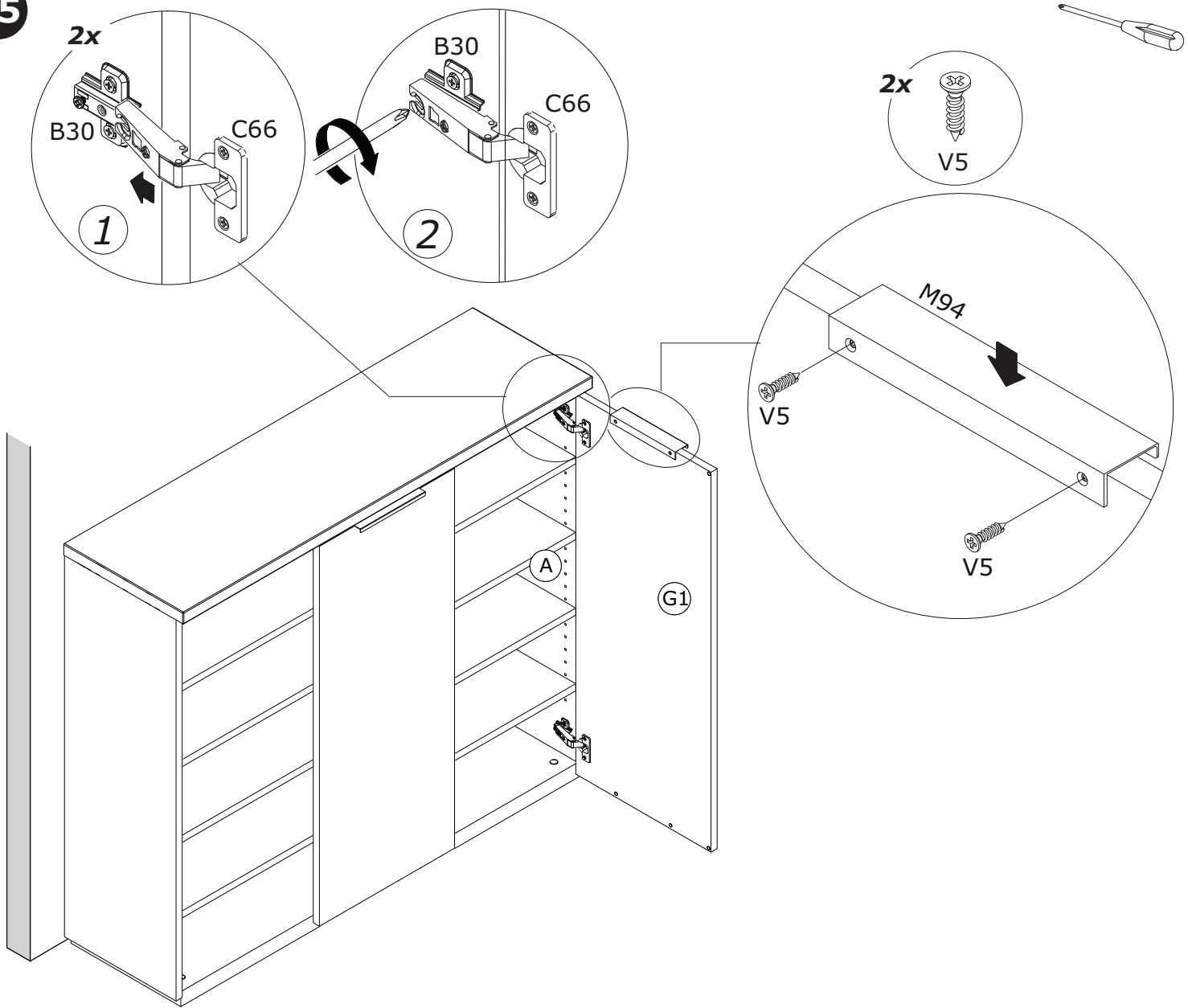
13



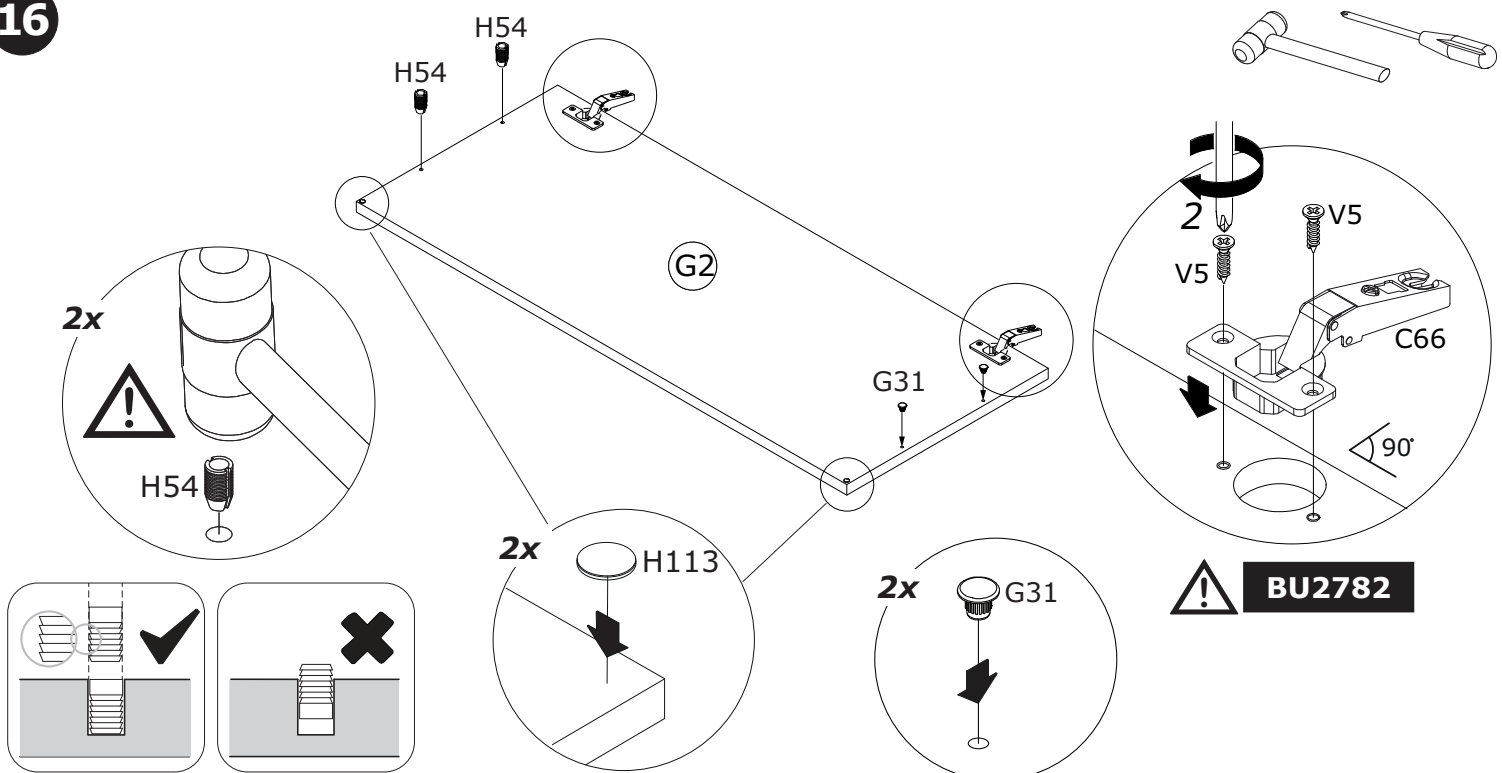
14



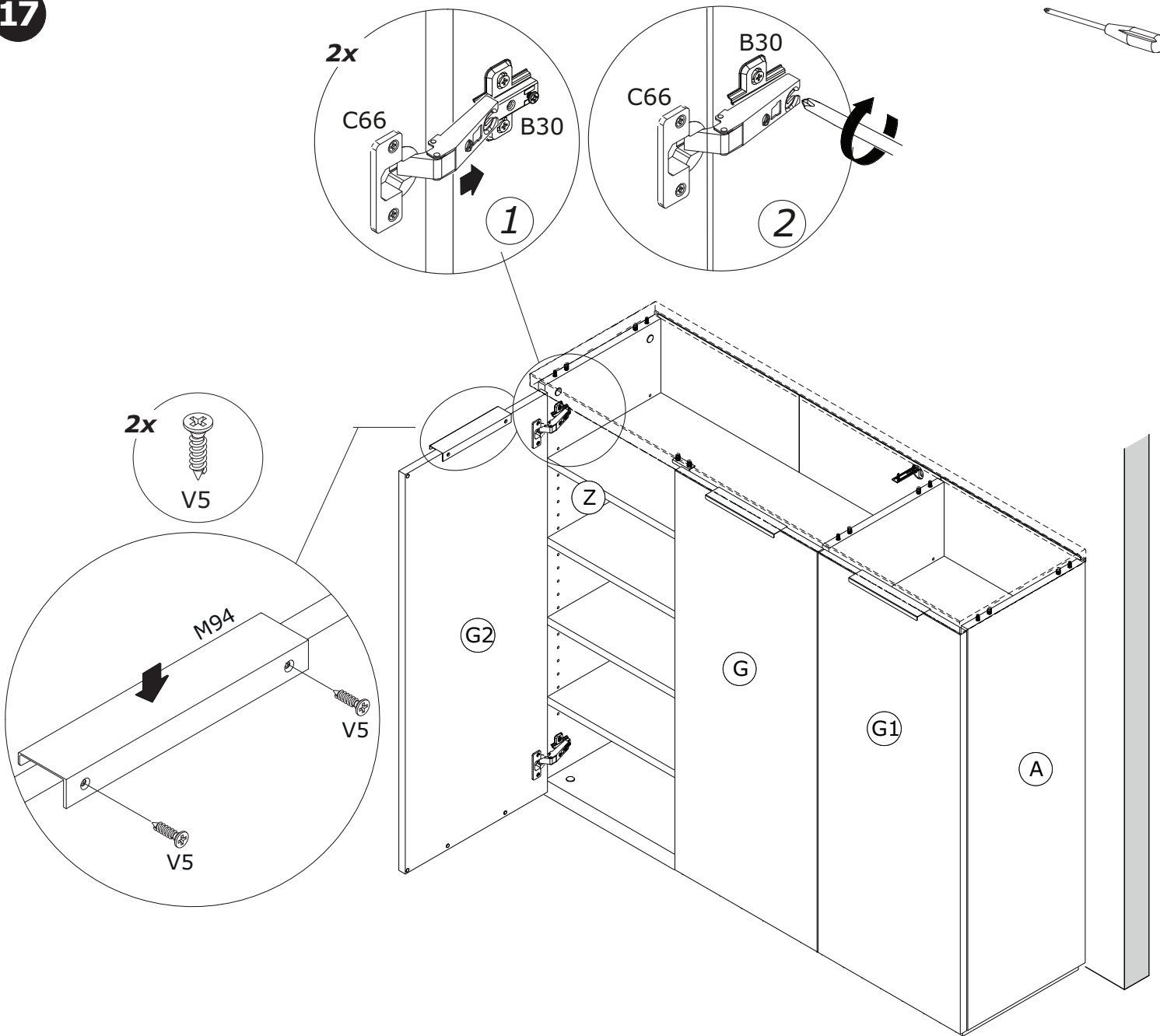
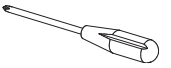
15



16



17



18

