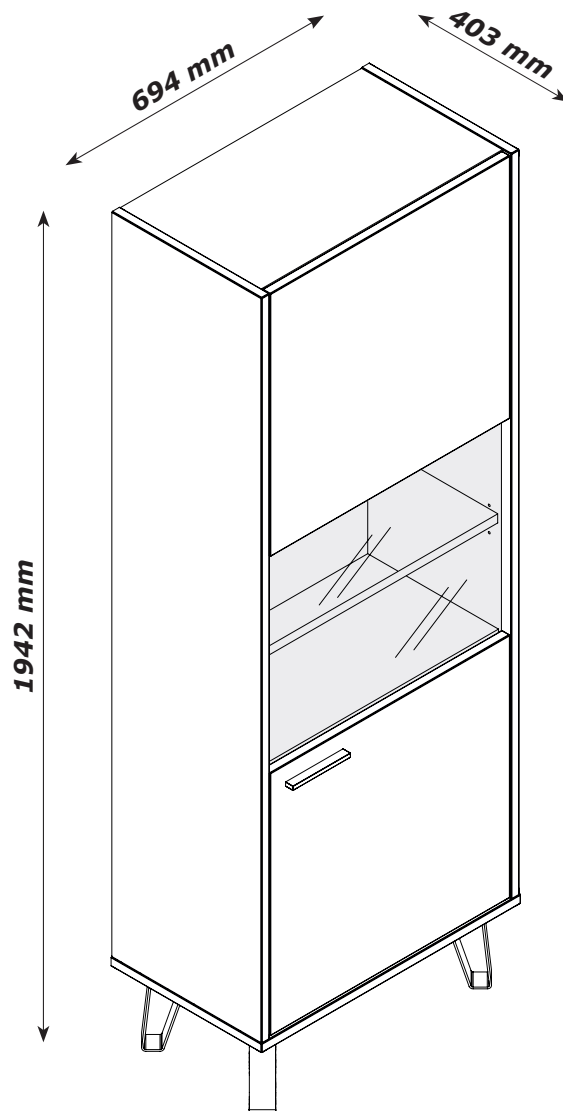
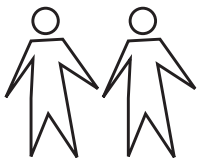


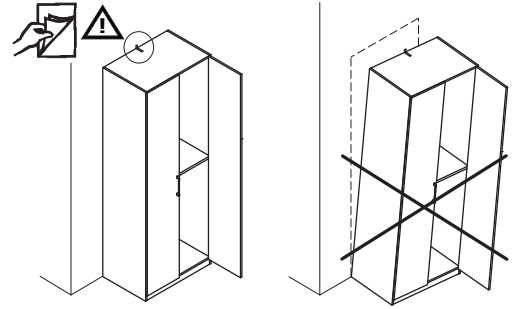
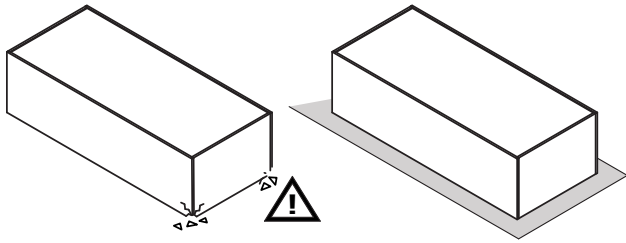
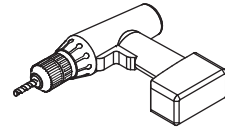
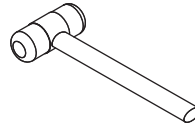
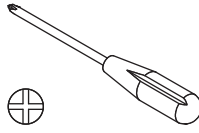
# CL4579K76504



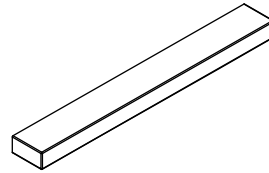
QF5672-2



2,5 h

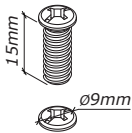


**BU4805**

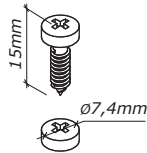


**M203**  
x1

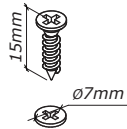
**BU4792**



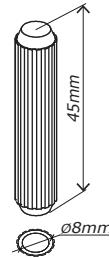
**V138**  
x4



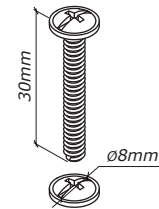
**V81**  
x22



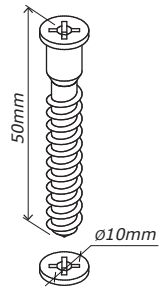
**V5**  
x12



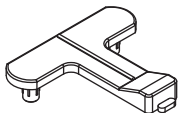
**H325**  
x16



**V35**  
x2



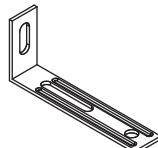
**V45**  
x4



**H306**  
x2



**R40**  
x12



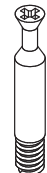
**H185**  
x1



**H129**  
x2



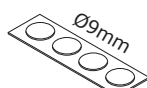
**H2**  
x12



**T28**  
x12



**T99**  
x12



**G187**  
x4



**H11**  
x8

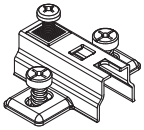


**H54**  
x8

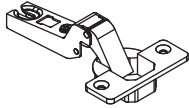


**H302**  
x4

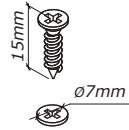
**BU4629** x2



**B31**  
x3 [6]

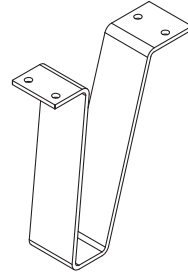


**C55**  
x3 [6]

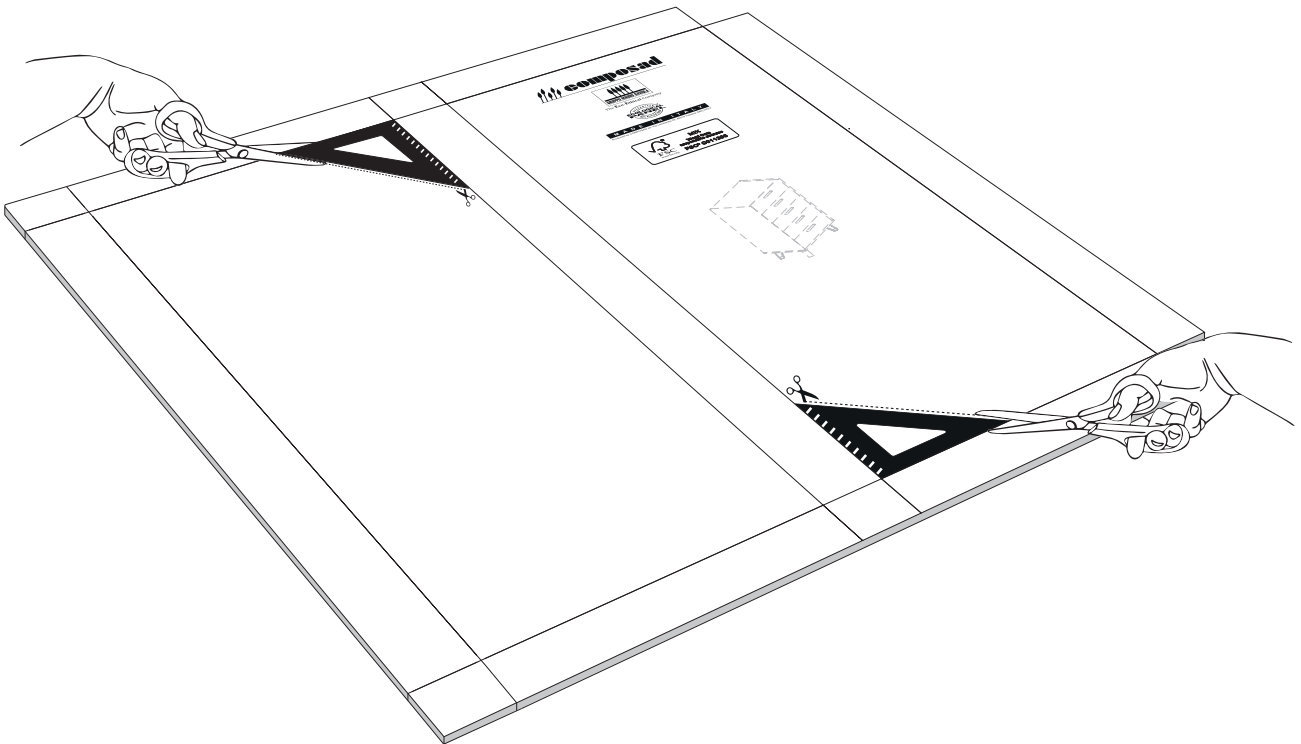


**V5**  
x6 [12]

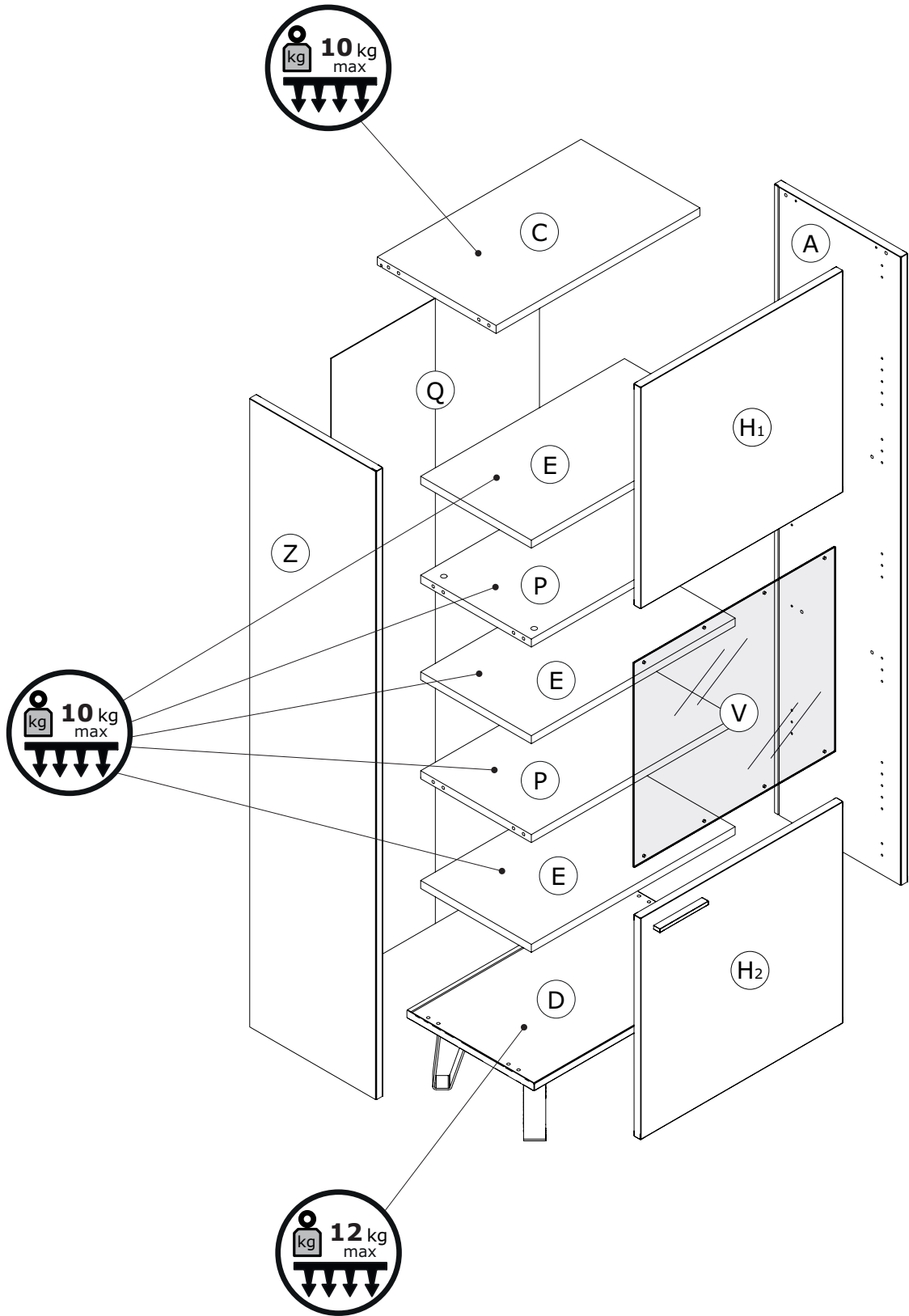
**BU4593** x2

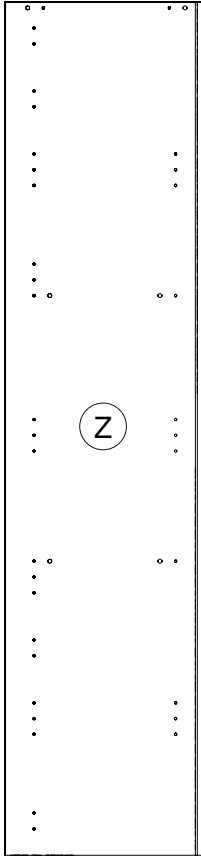


**P78**  
x2 [4]

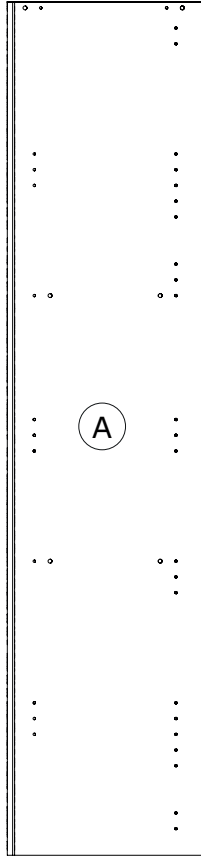


**7 8**

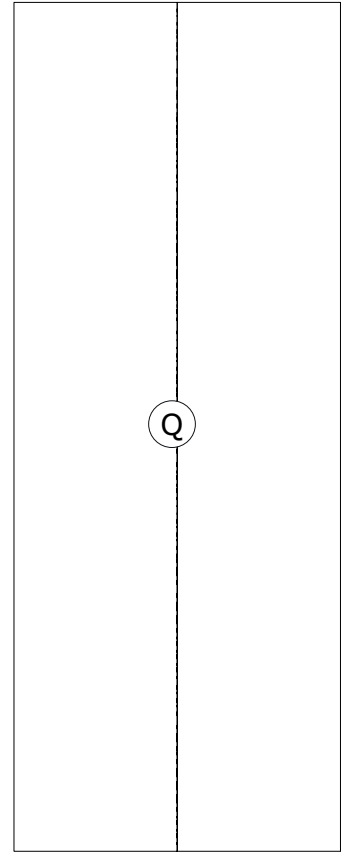




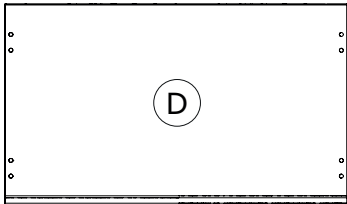
**FI9122**  
1736x403x22mm



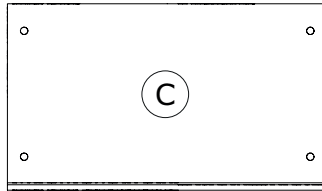
**FI9121**  
1736x403x22mm



**SH3598**  
1726x664x2mm

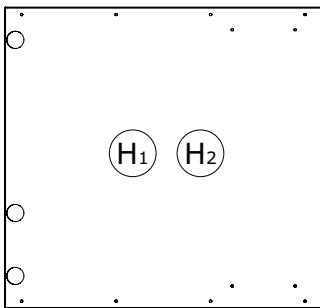


**BA2330**  
698x405x22mm

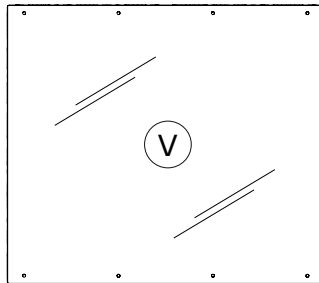


**CA3804**  
650x379x22mm

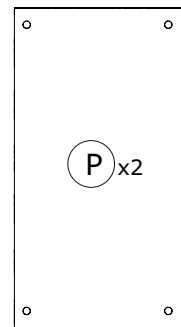
**BOX 1/2**



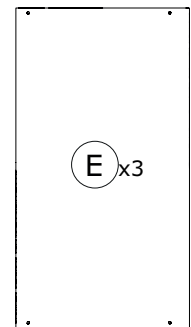
**AN3113**  
613x646x22mm



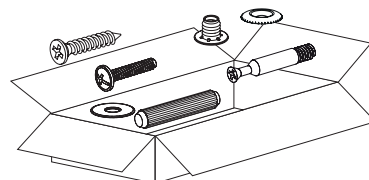
**VT0186**  
644x566x4mm



**PI7430**  
650x353x22mm

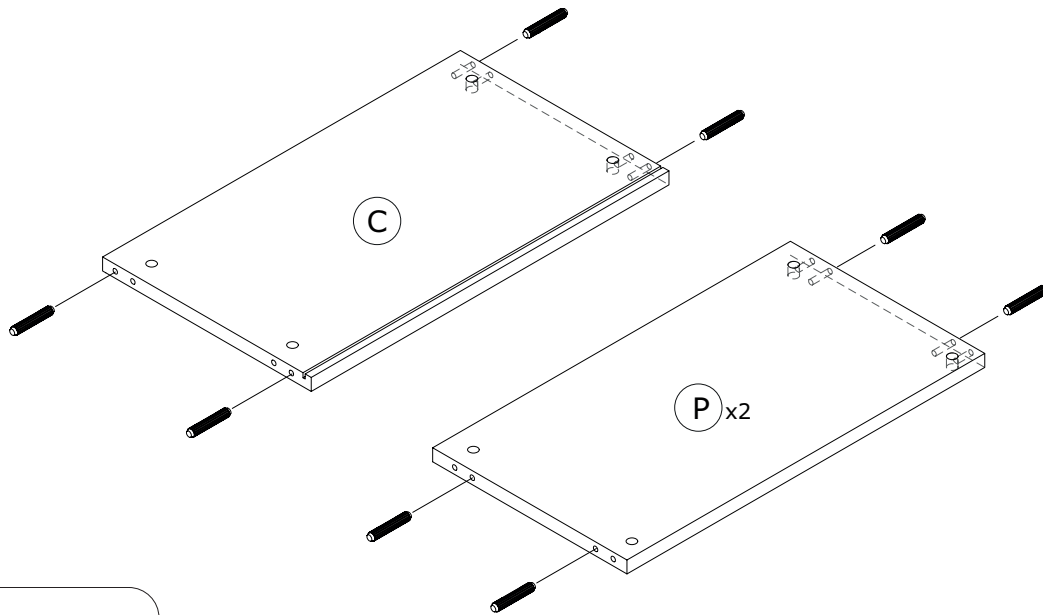


**PI7431**  
650x353x22mm

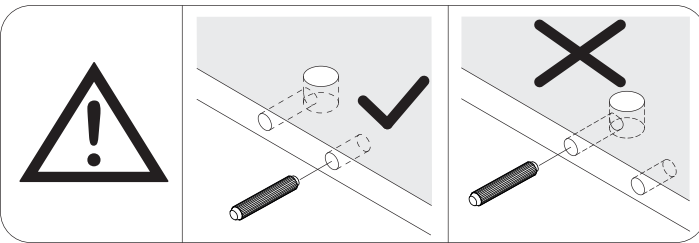
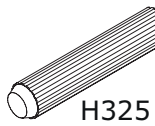


**BOX 2/2**

1

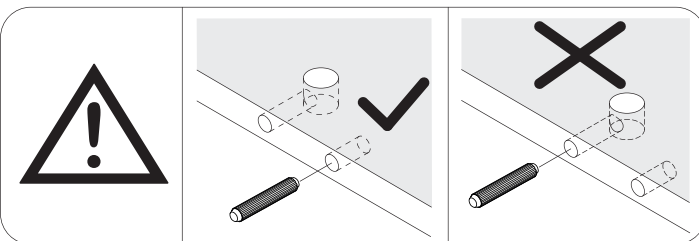
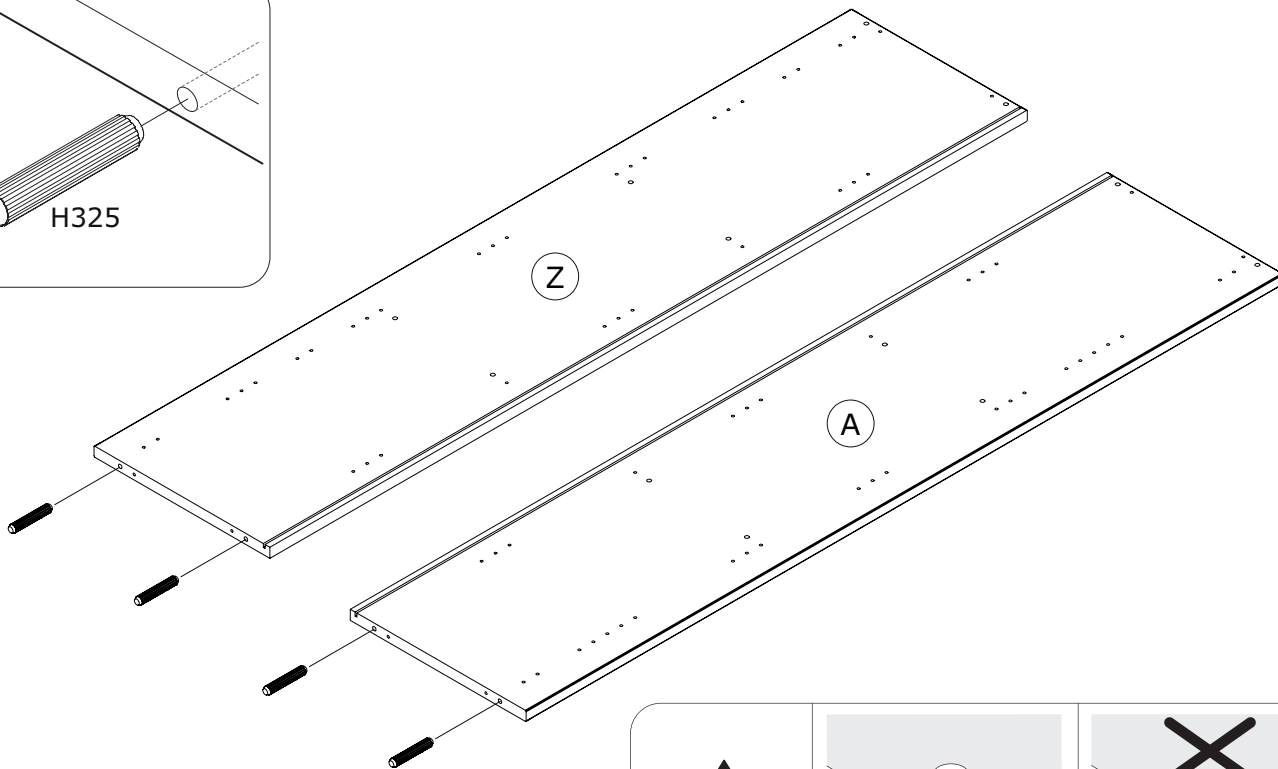
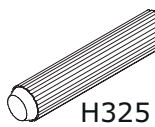


12x

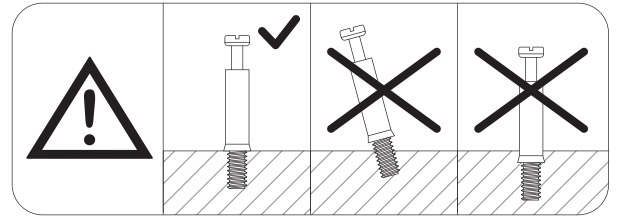
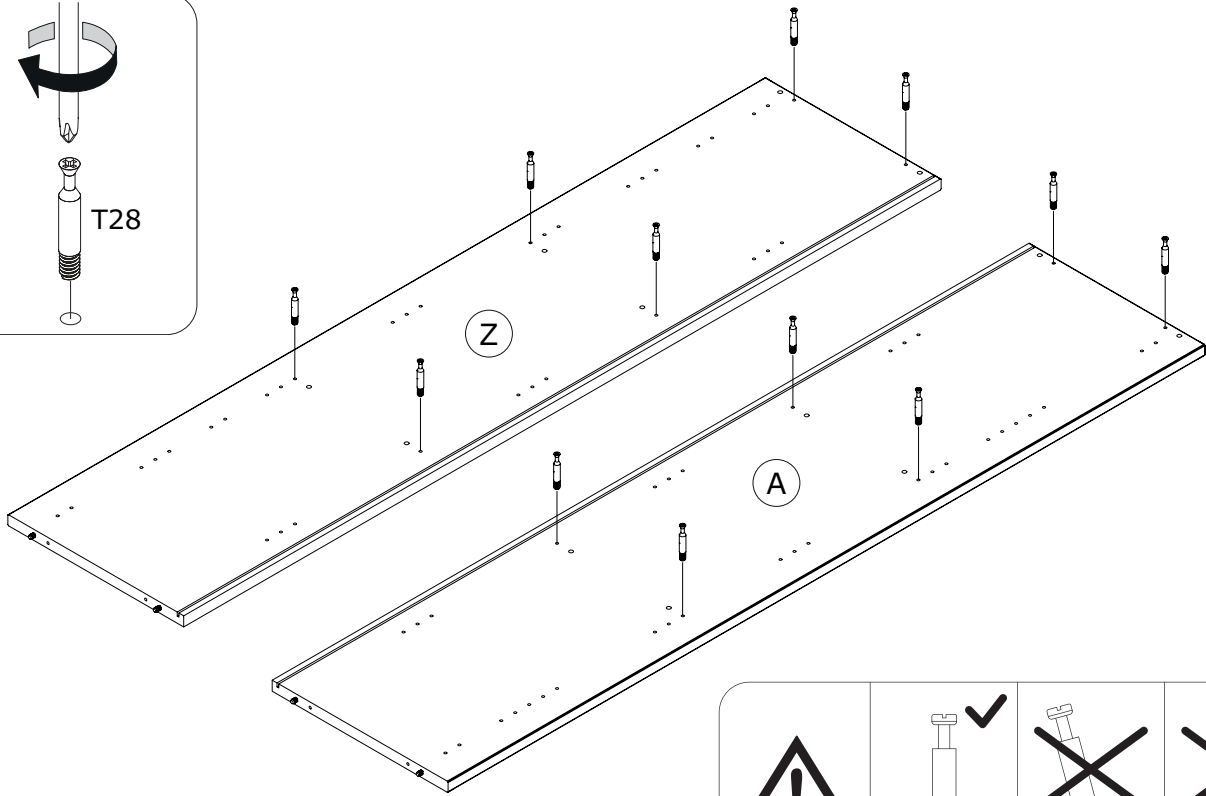
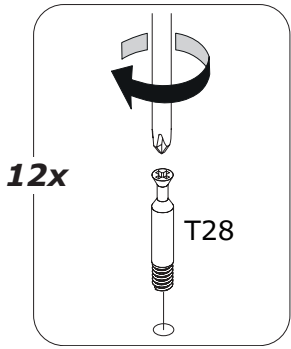
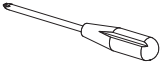


2

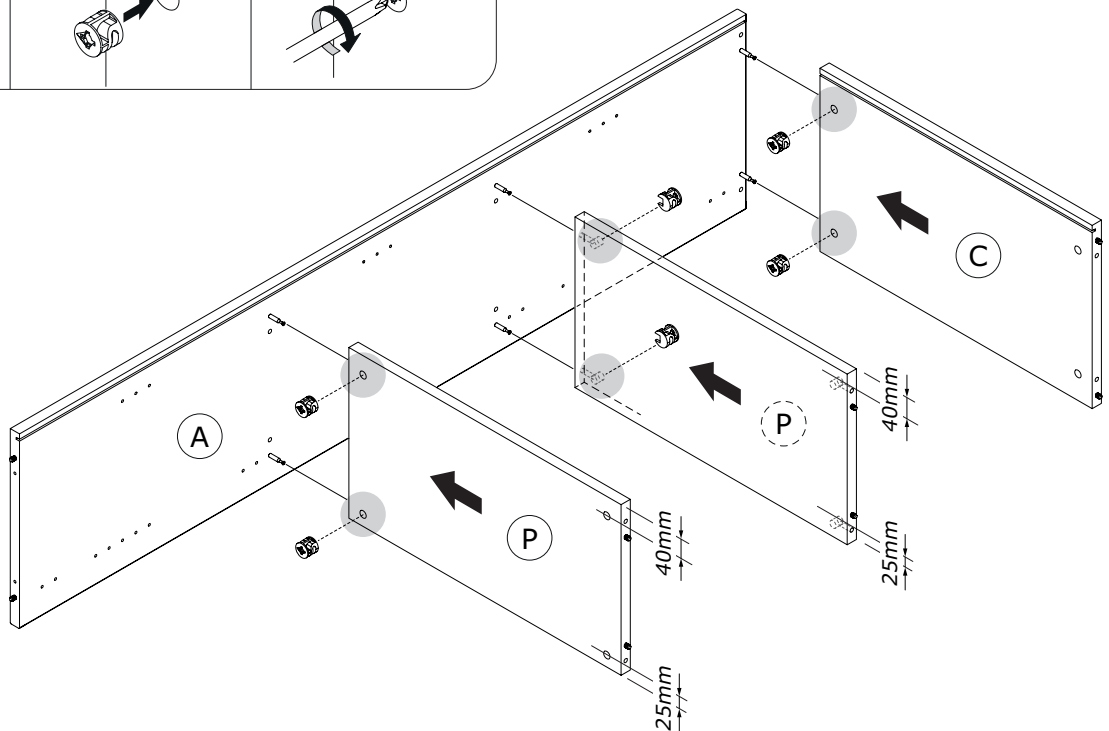
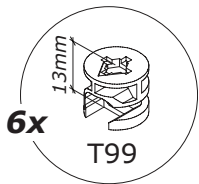
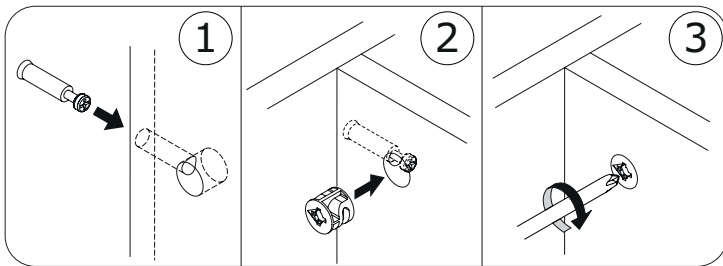
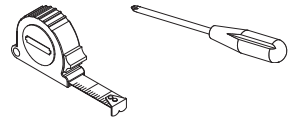
4x



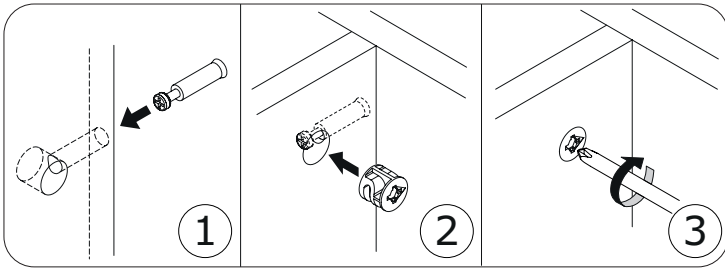
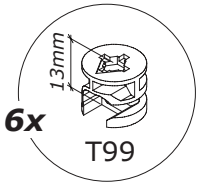
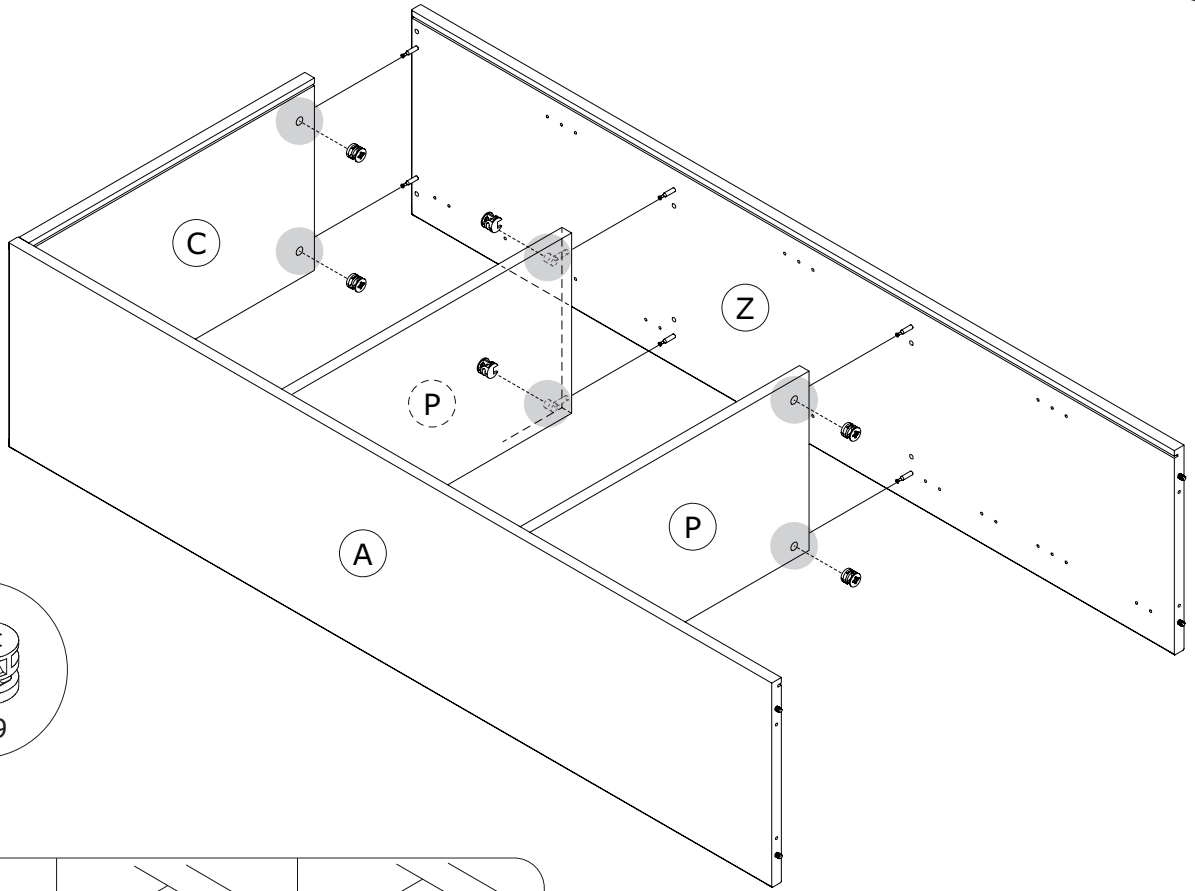
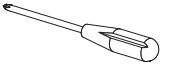
3



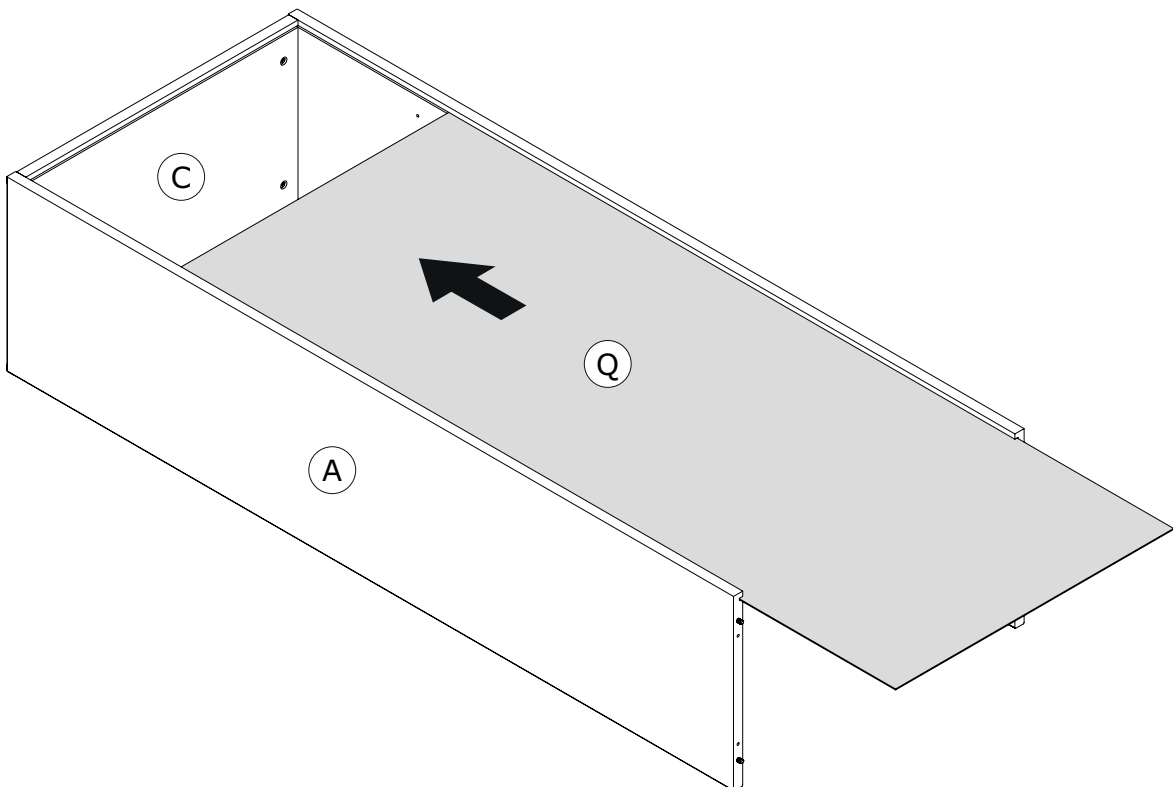
4



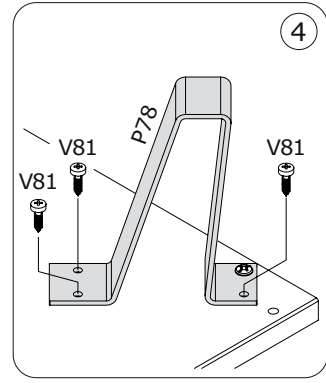
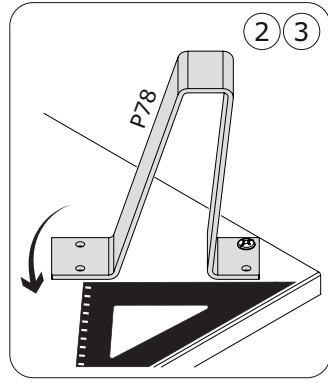
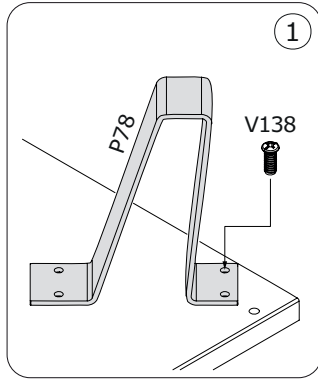
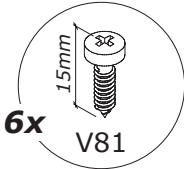
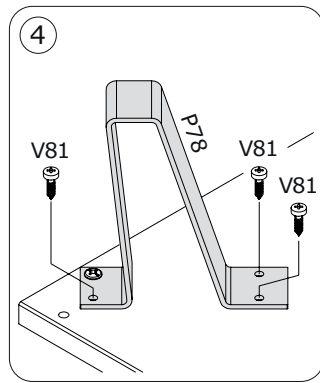
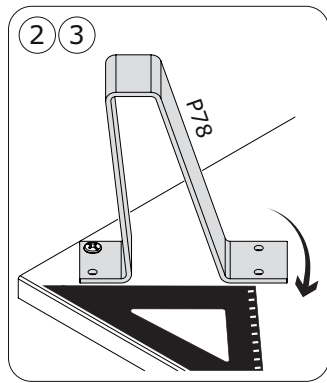
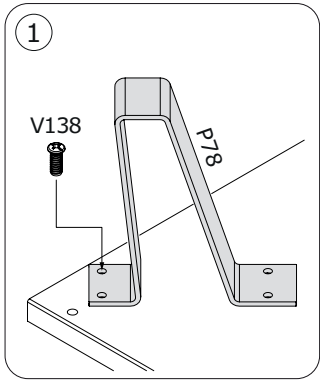
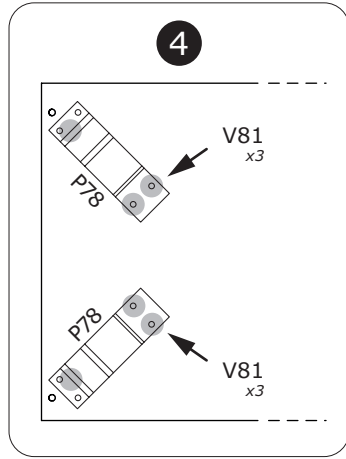
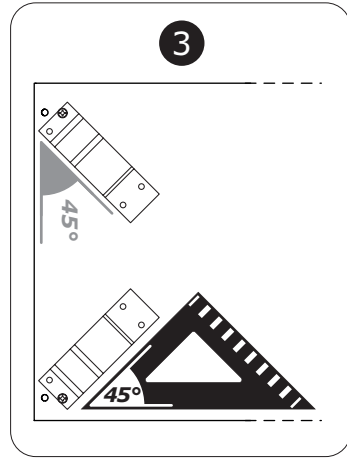
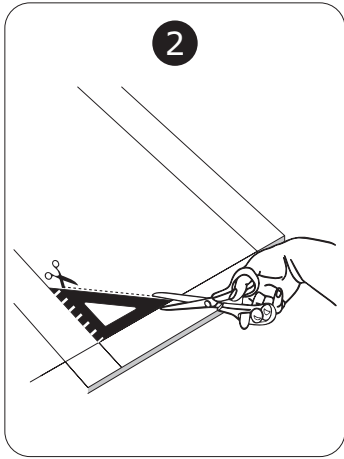
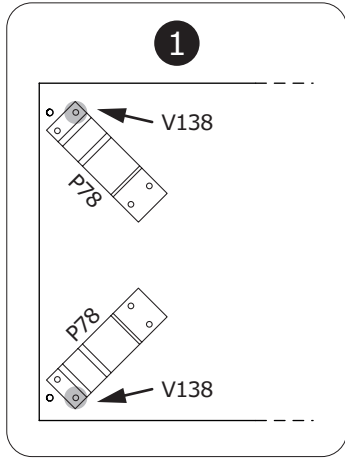
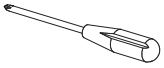
5

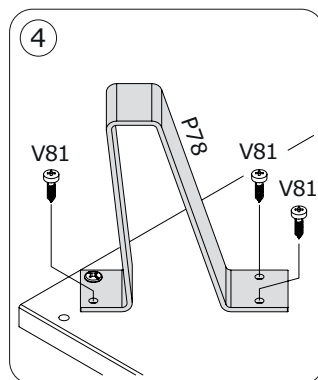
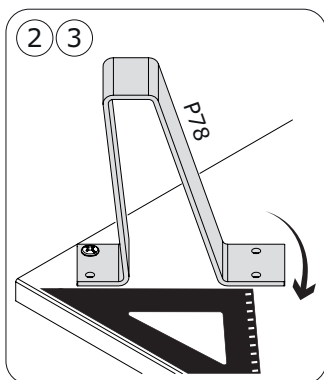
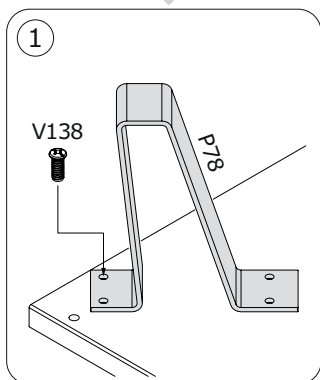
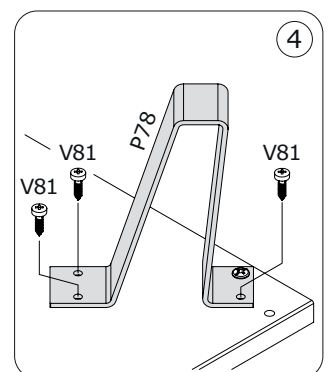
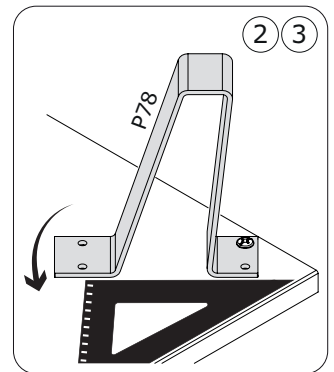
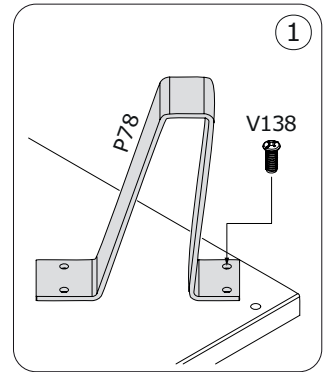
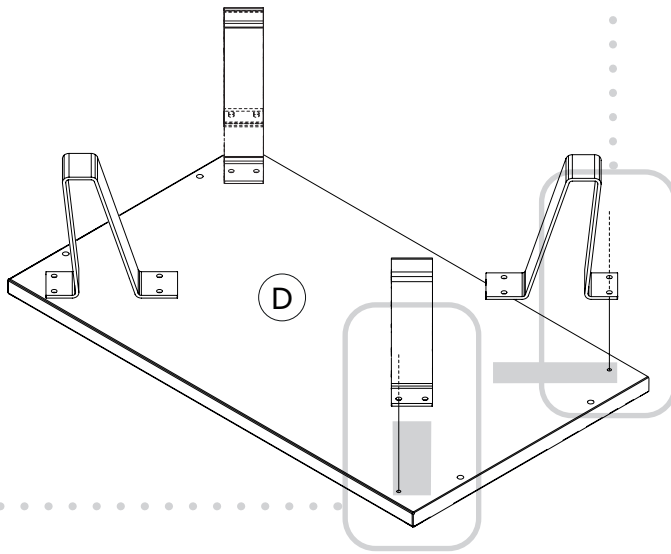
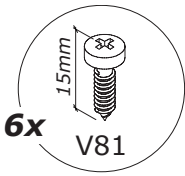
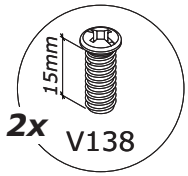
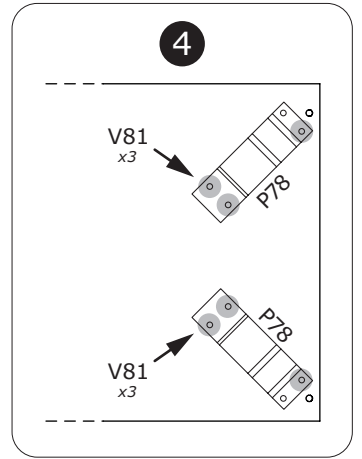
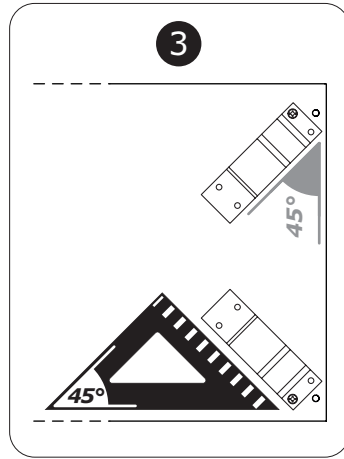
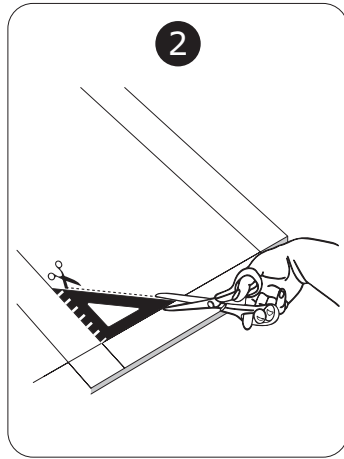
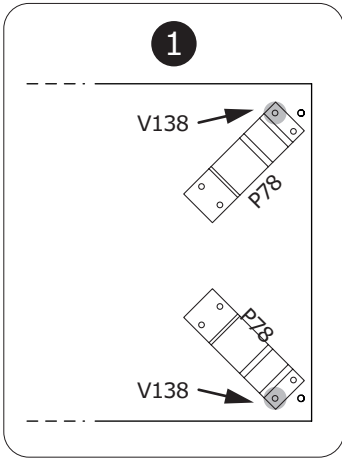
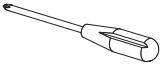


6

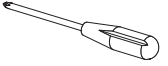
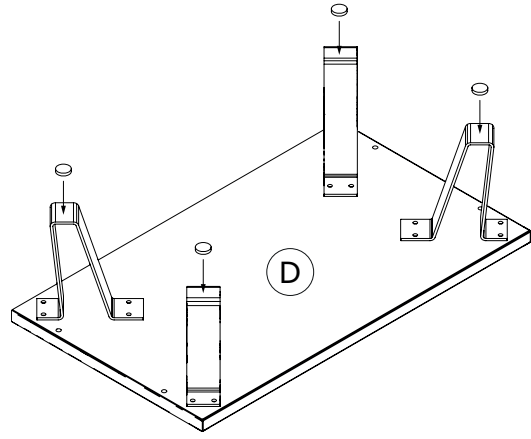
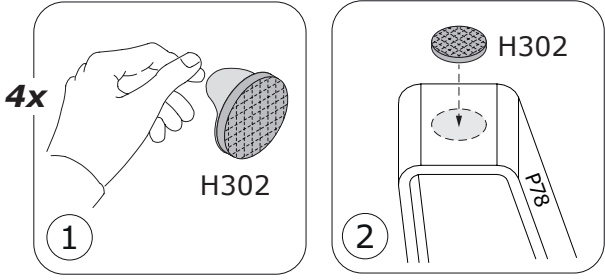




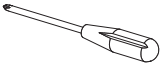
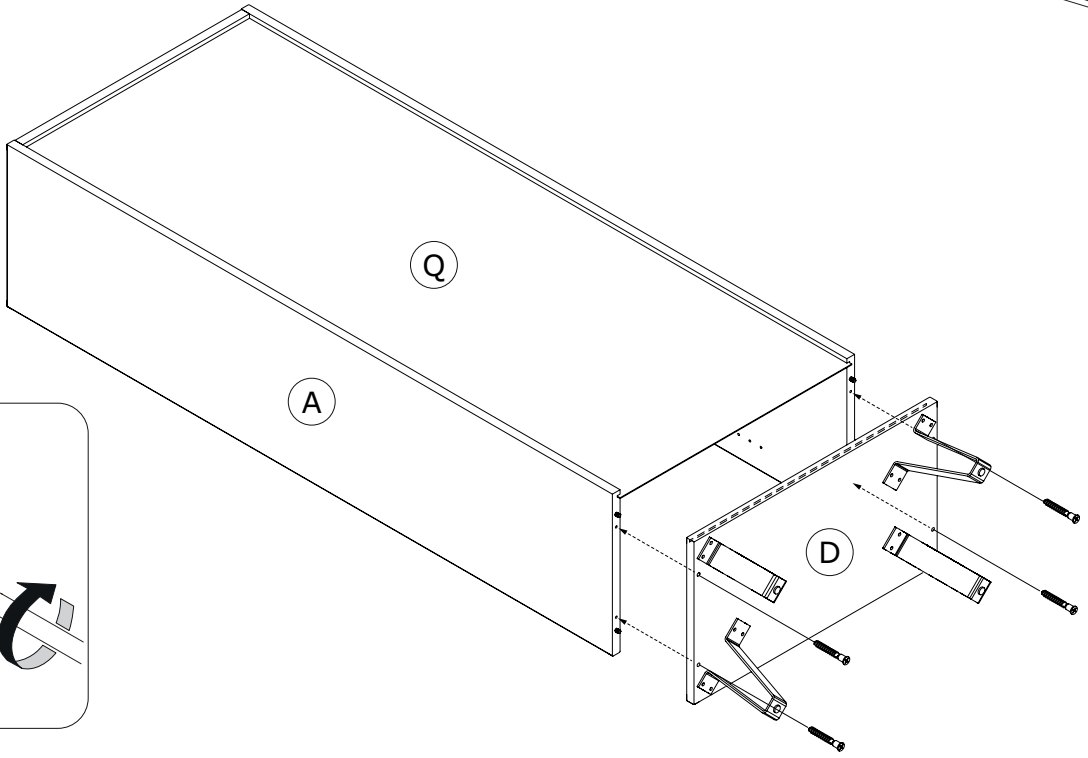
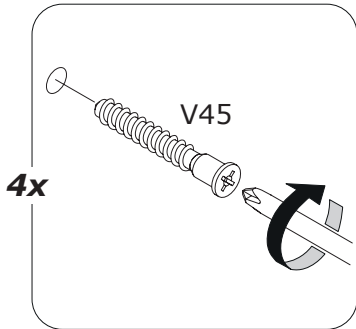




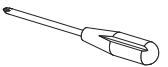
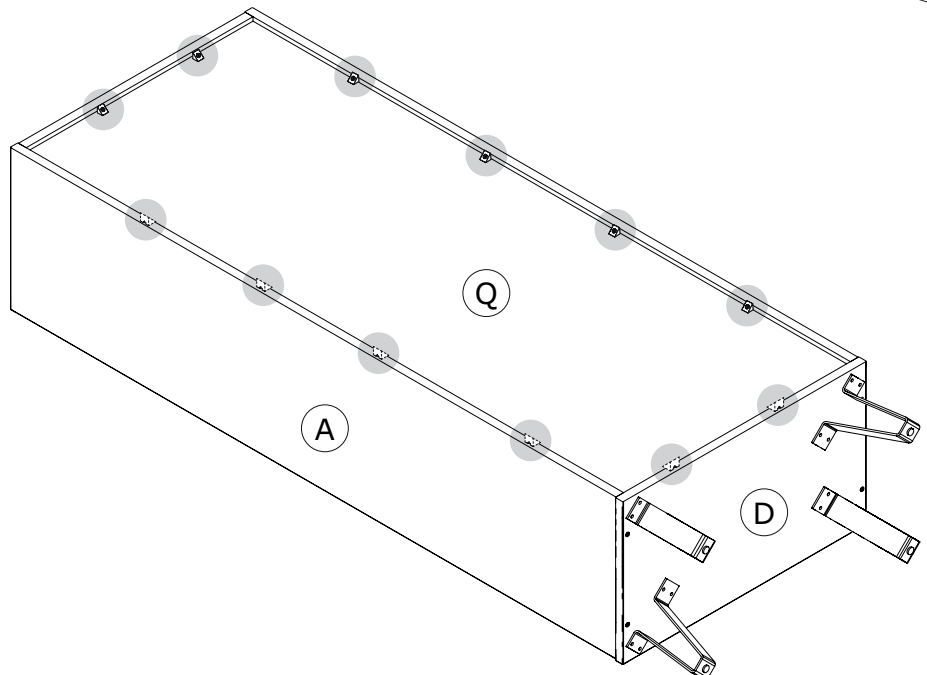
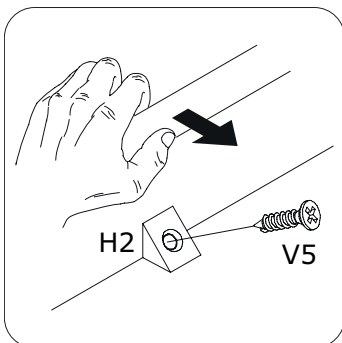
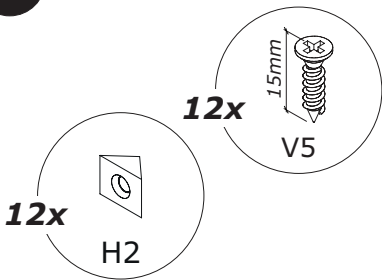
9

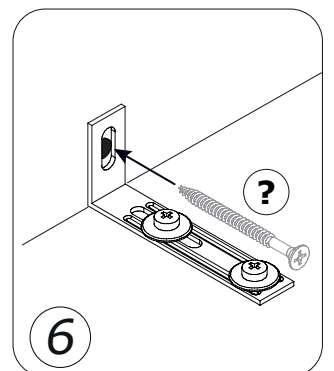
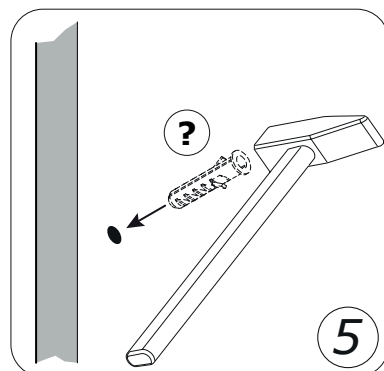
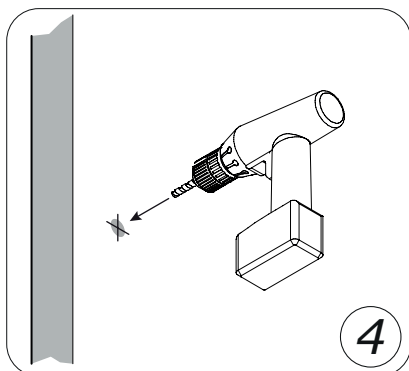
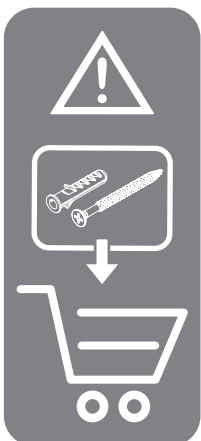
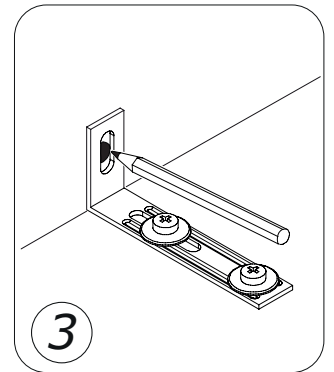
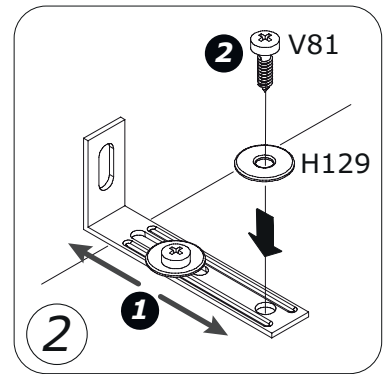
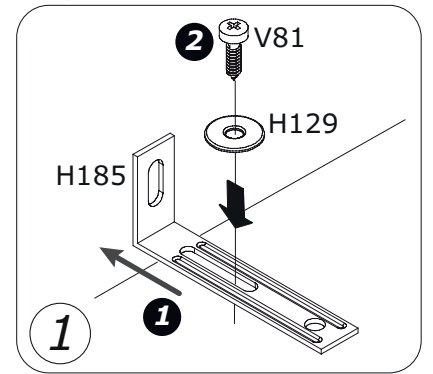
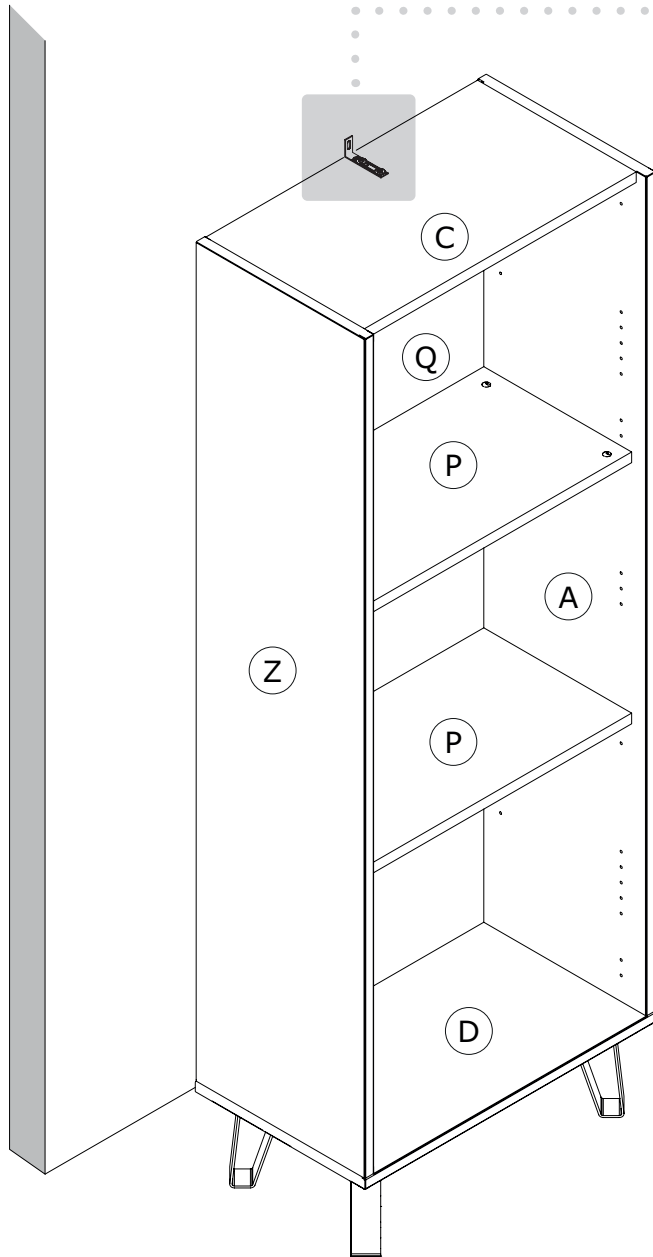
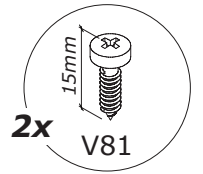


10

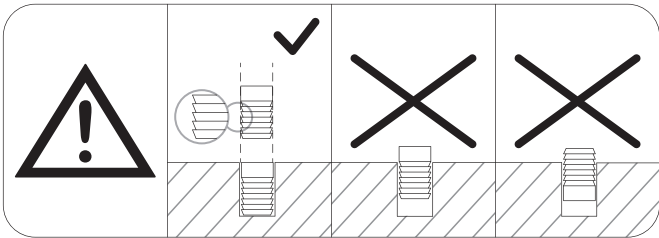
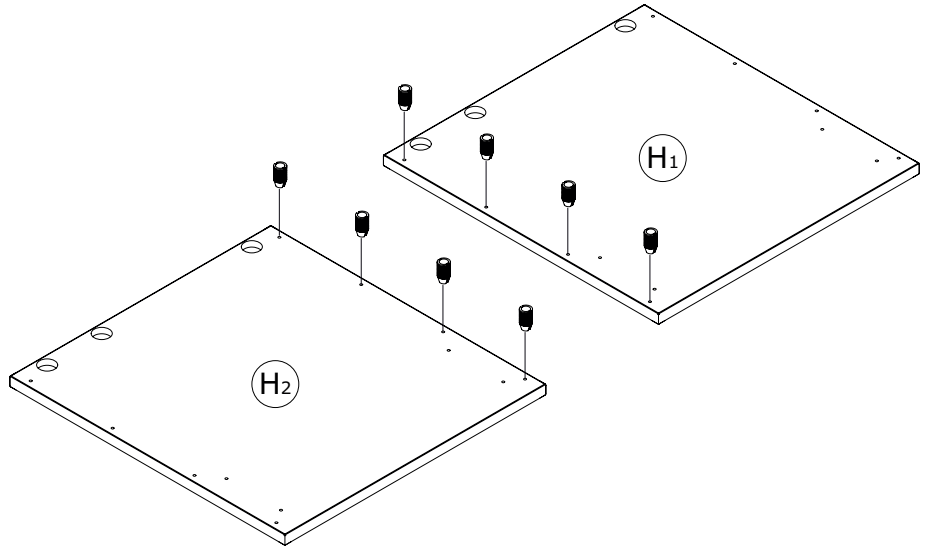
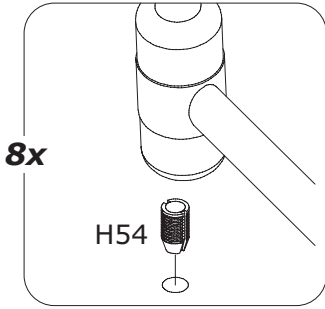
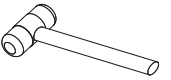


11

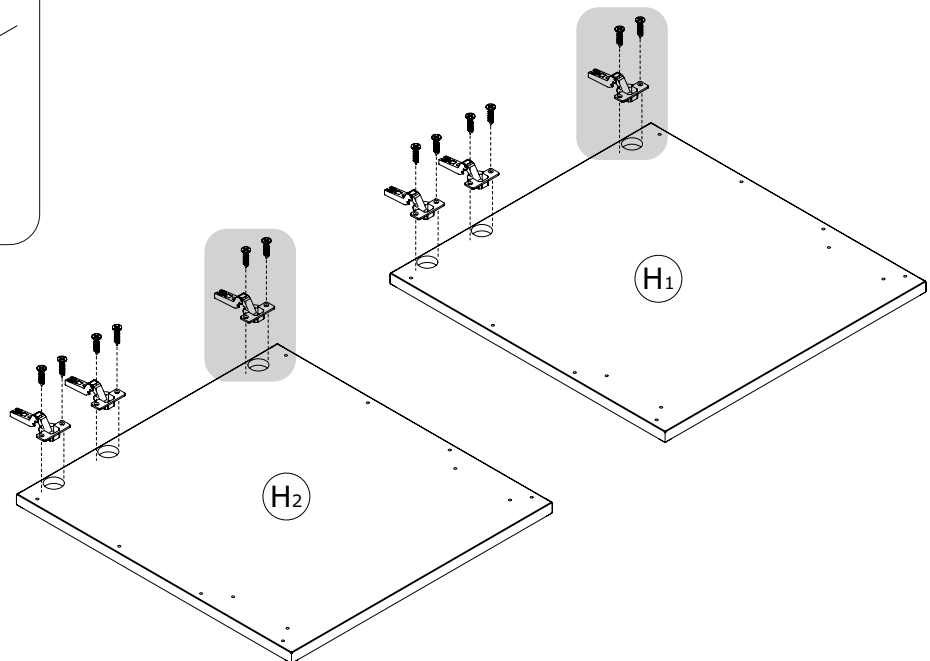
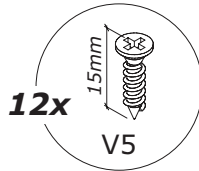
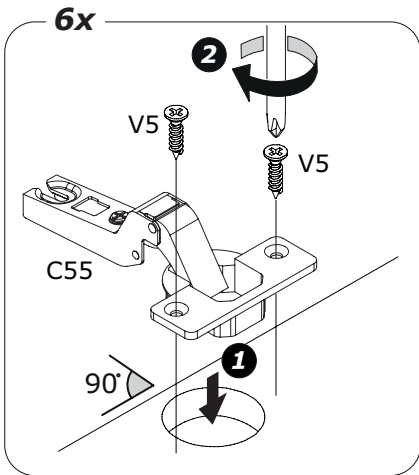
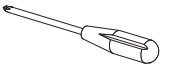


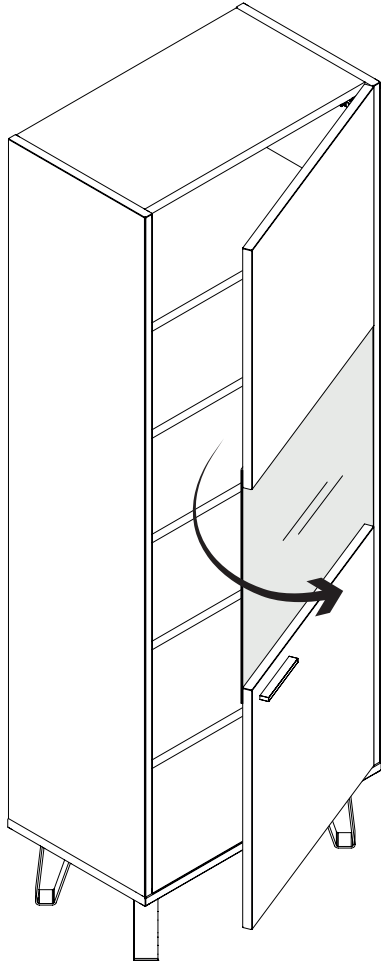


13



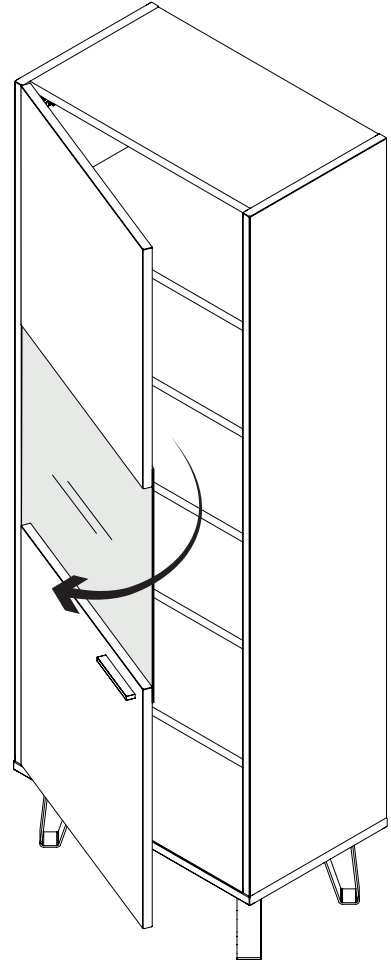
14





**A**

**15 - 19**

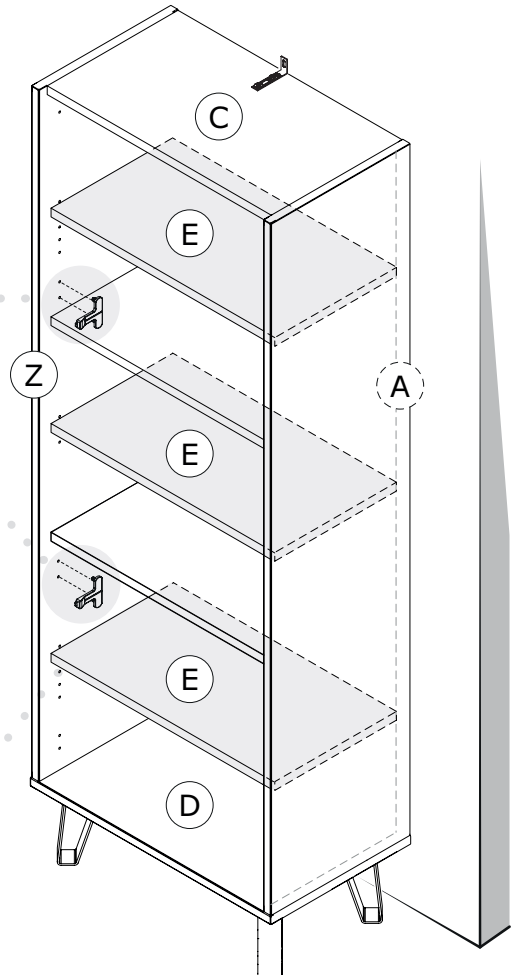
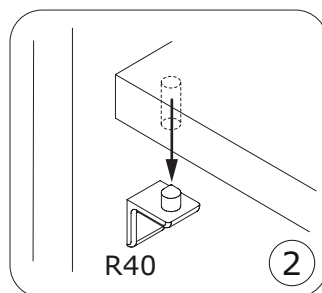
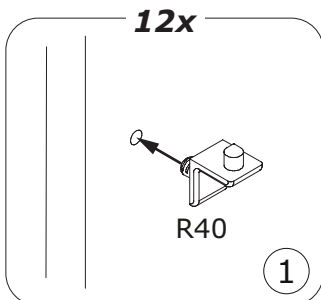
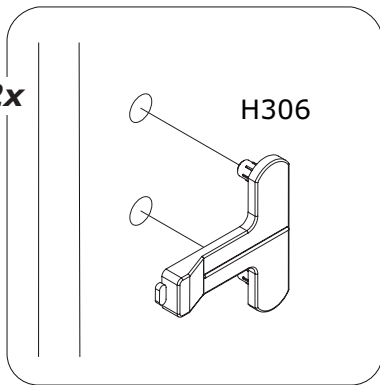
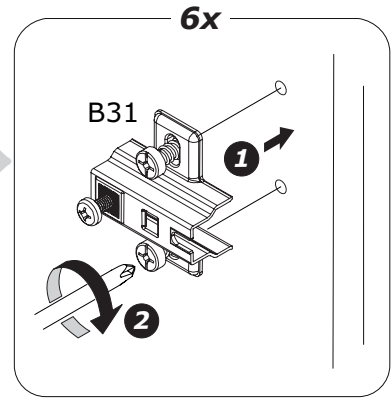
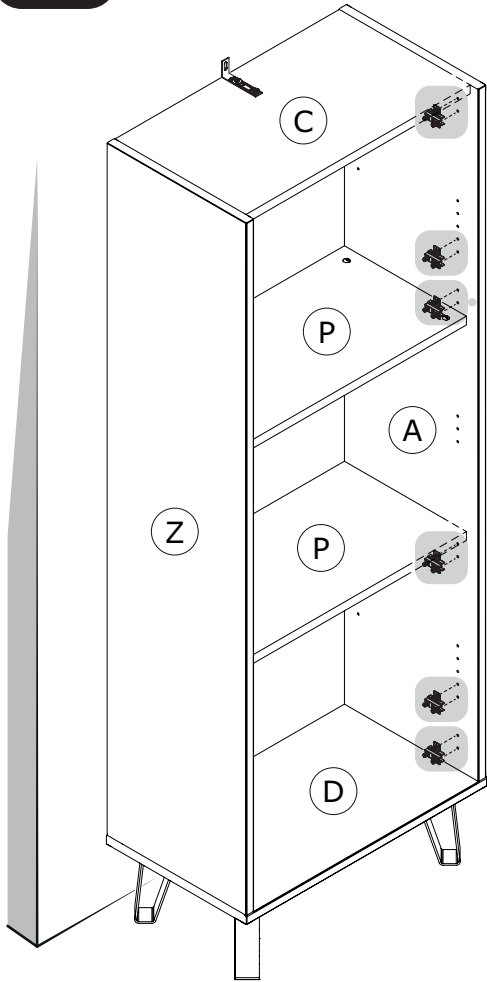
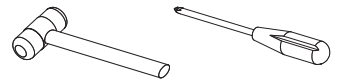


**B**

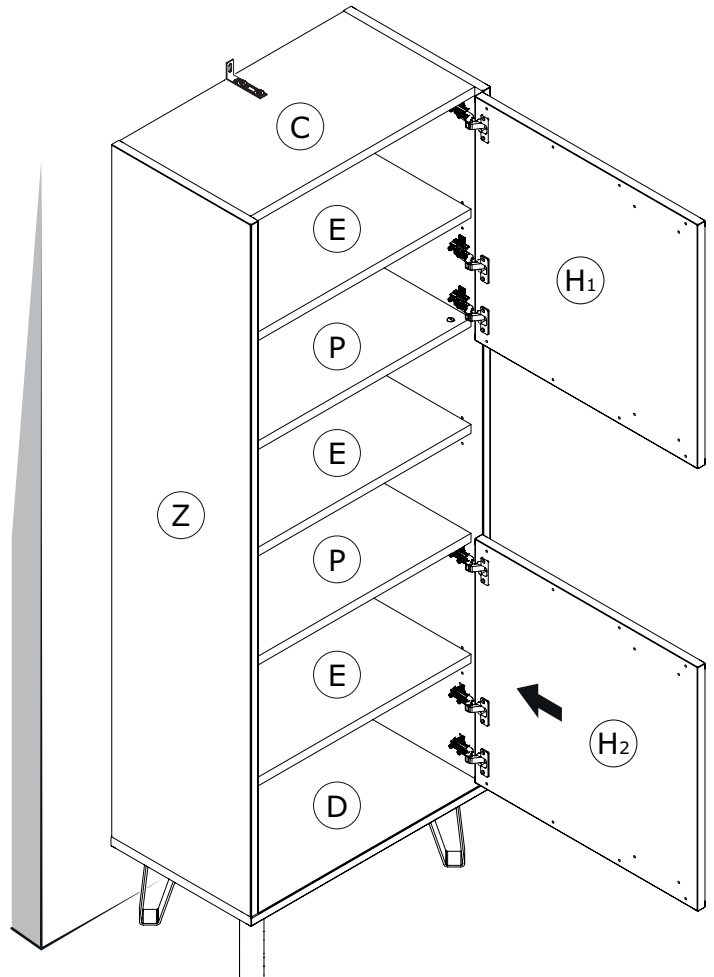
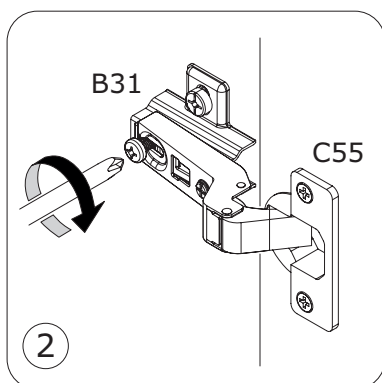
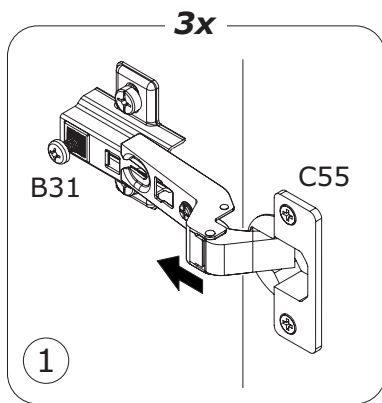
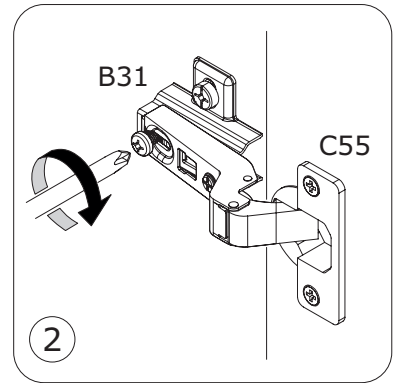
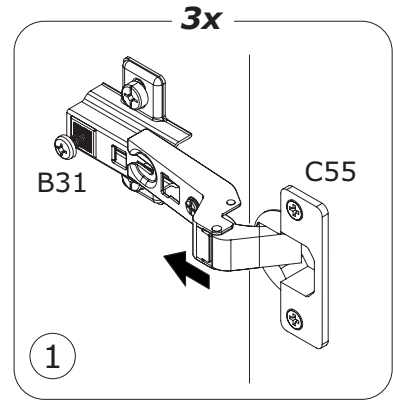
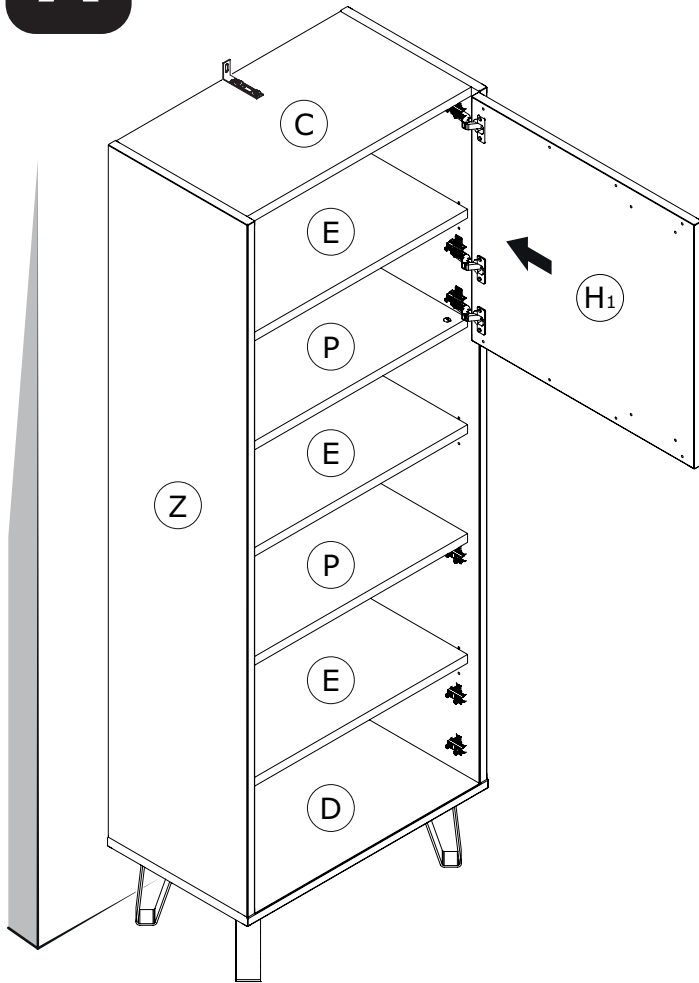
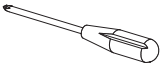
**20 - 24**

15

A

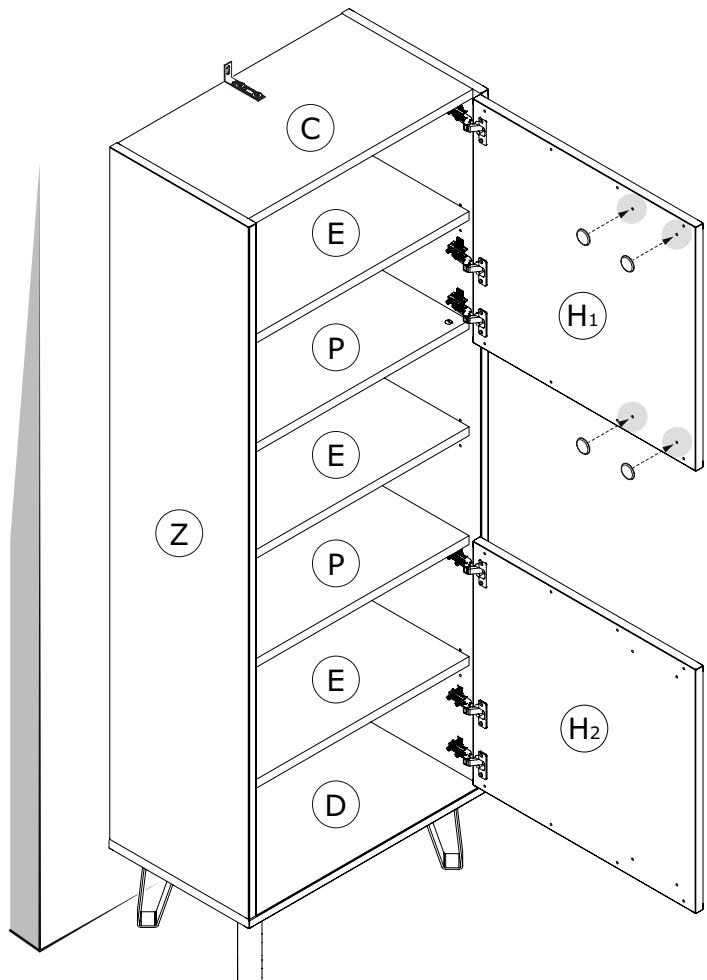
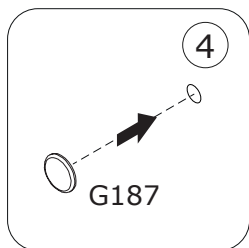
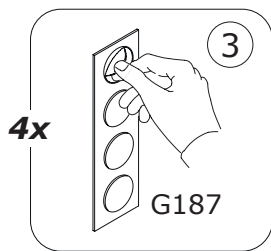
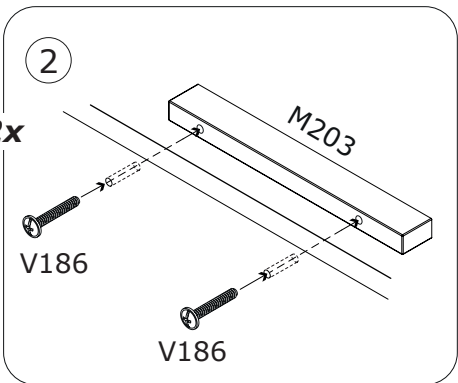
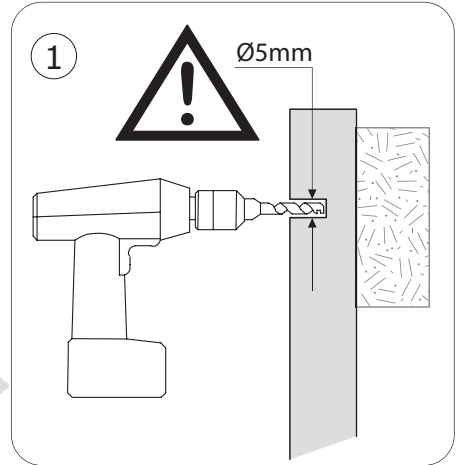
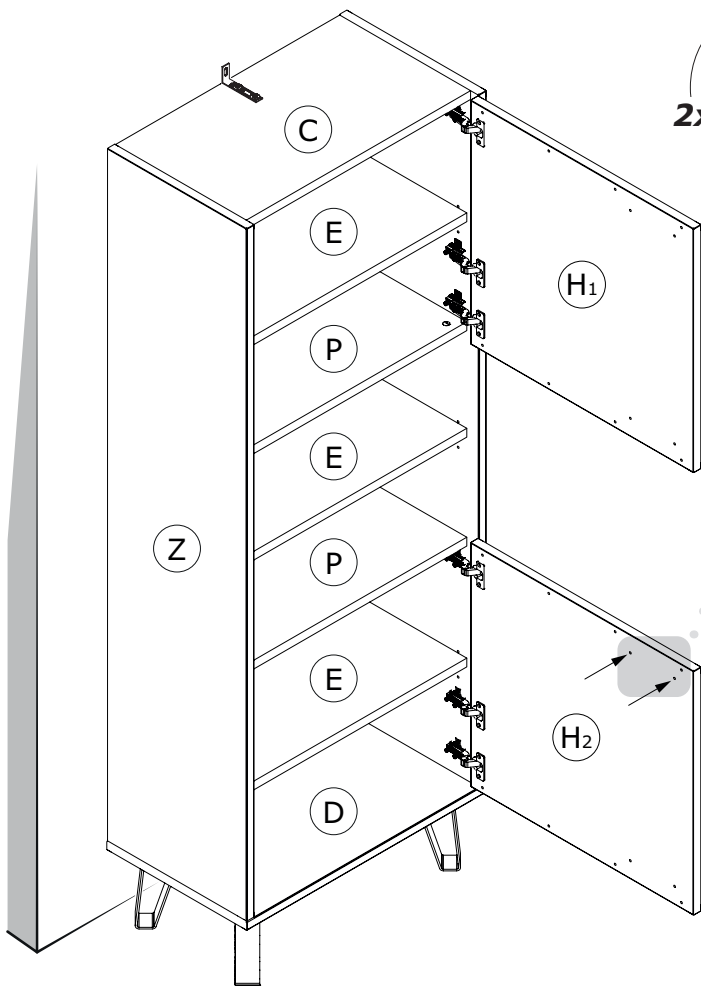
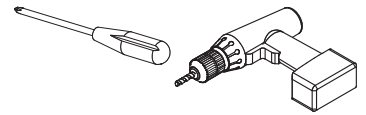


A



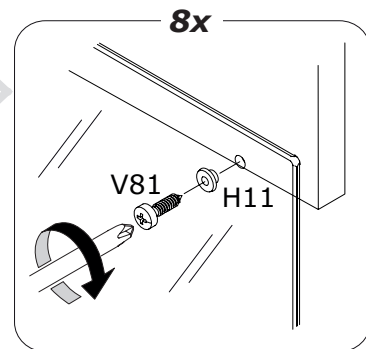
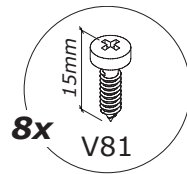
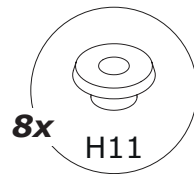
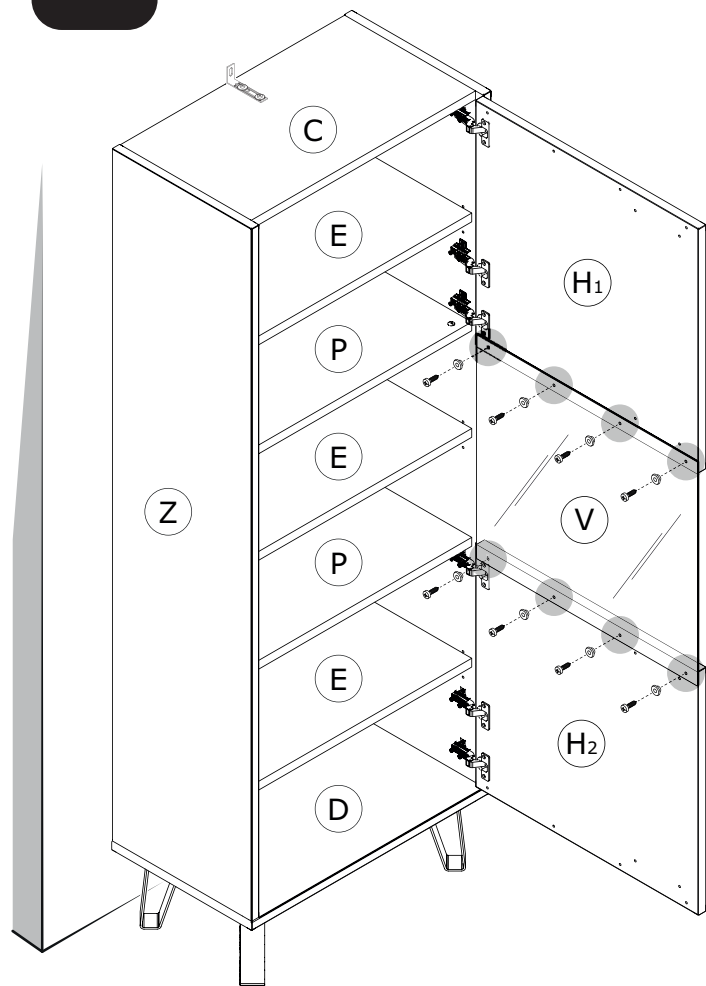


A

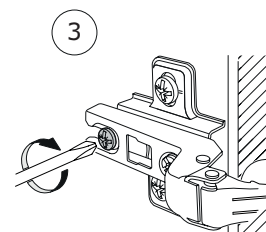
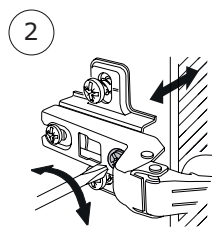
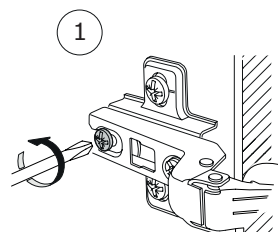
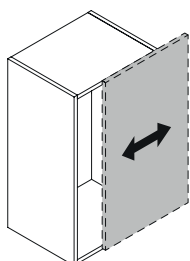
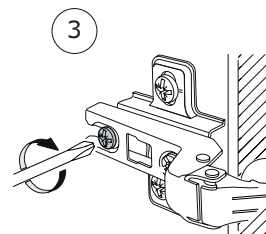
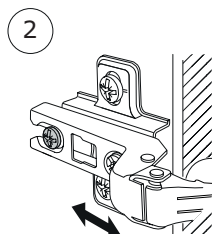
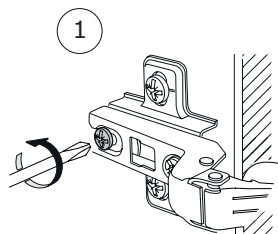
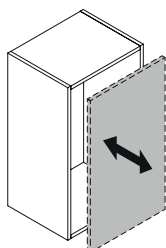
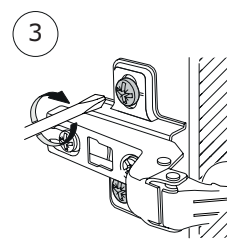
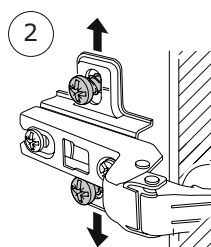
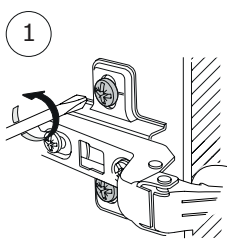
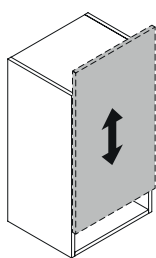


18

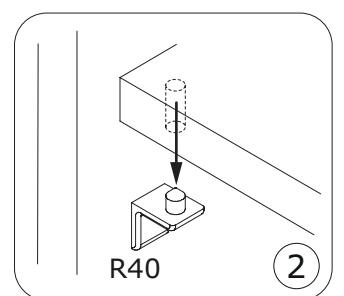
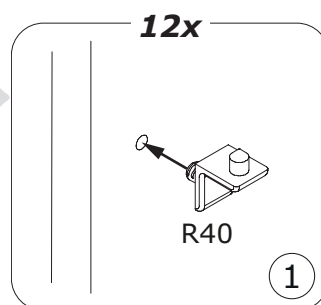
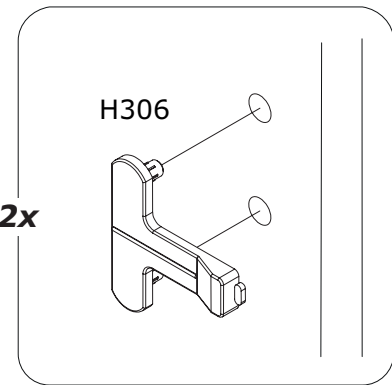
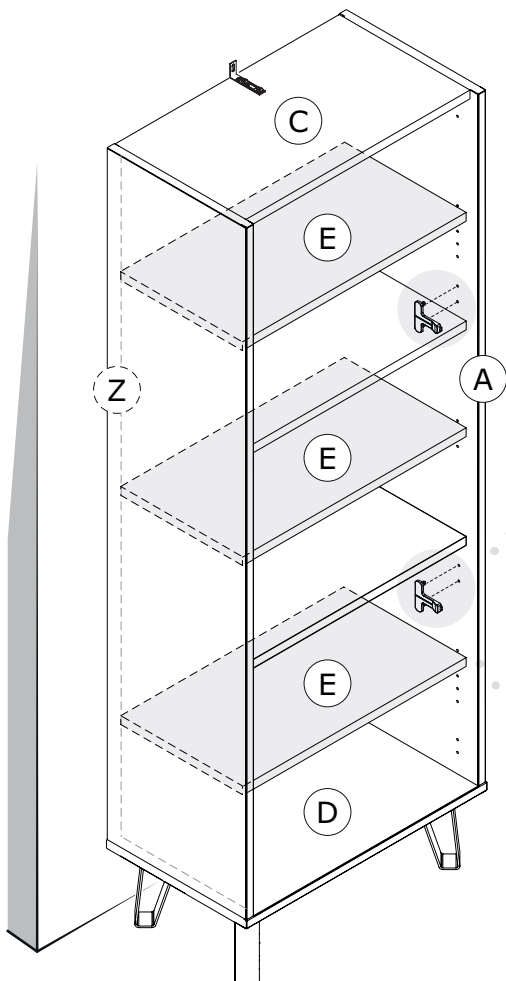
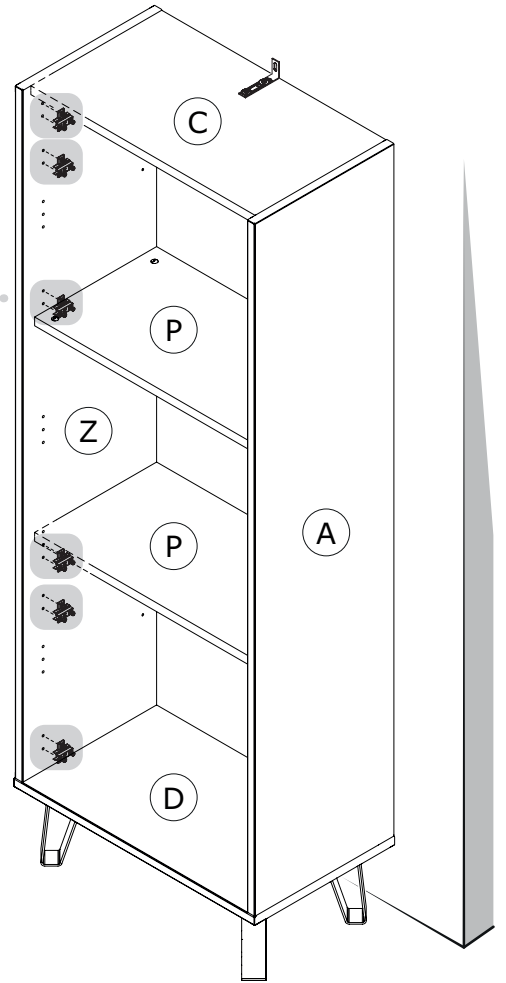
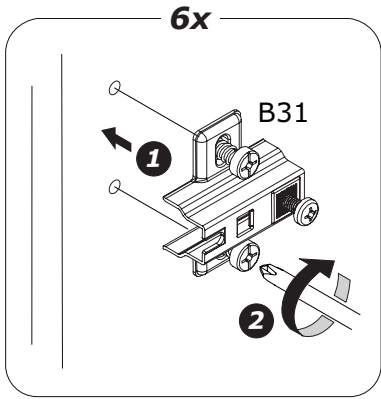
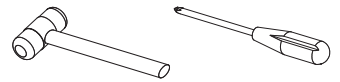
A



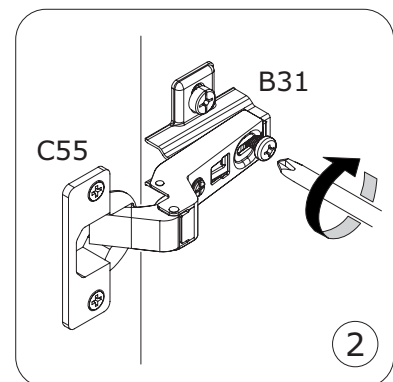
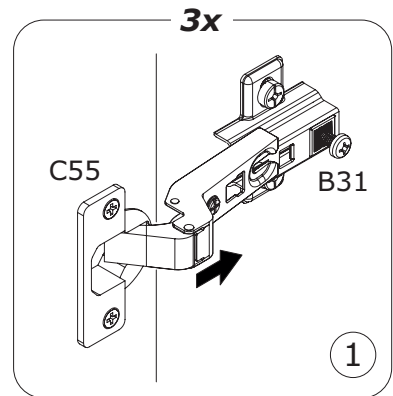
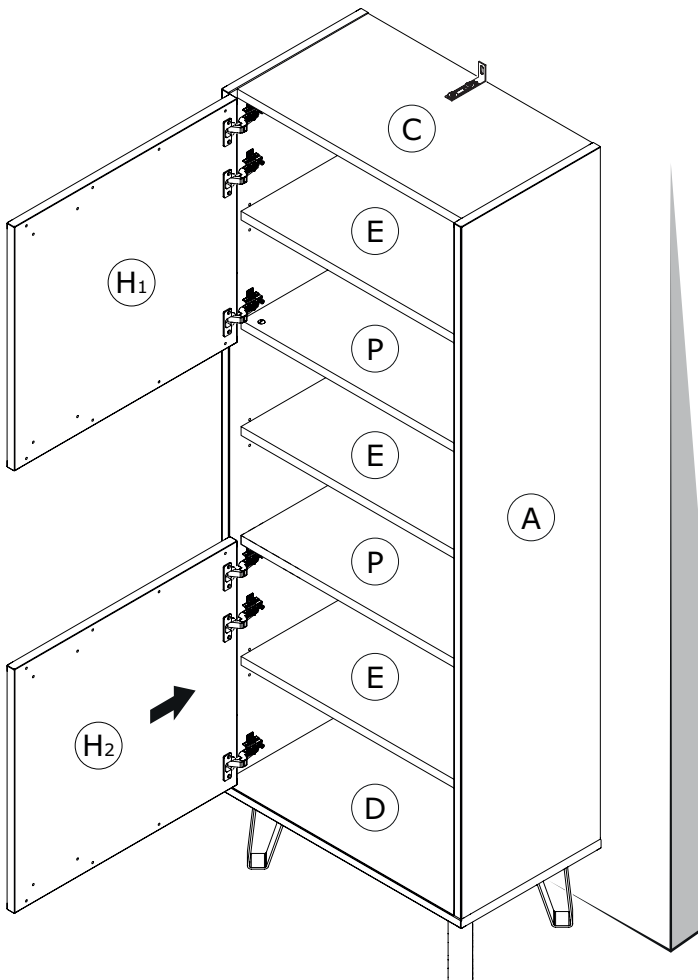
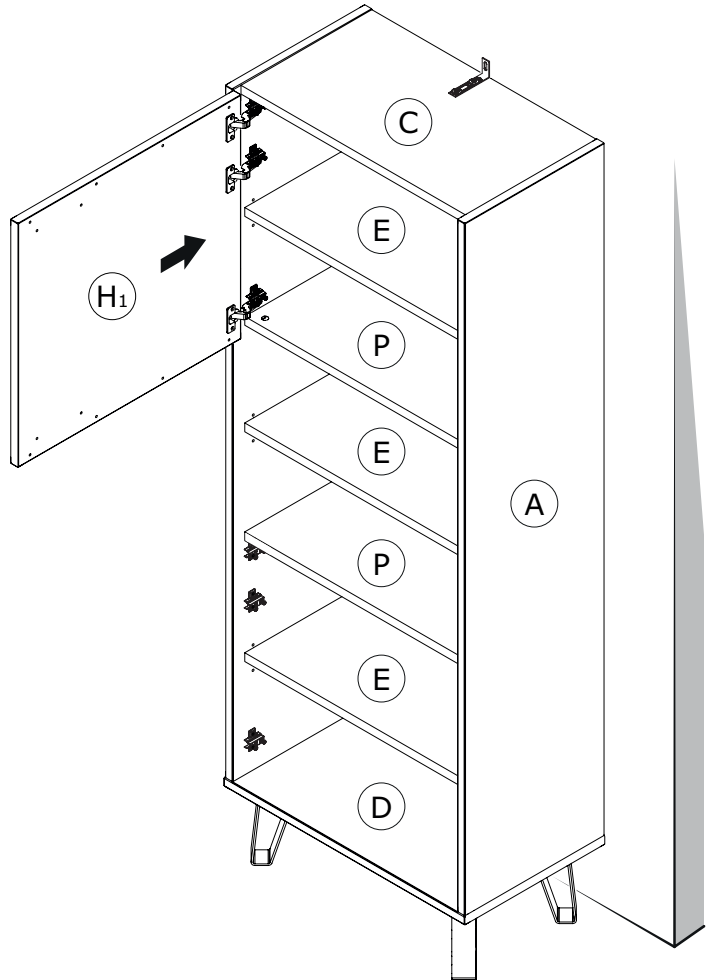
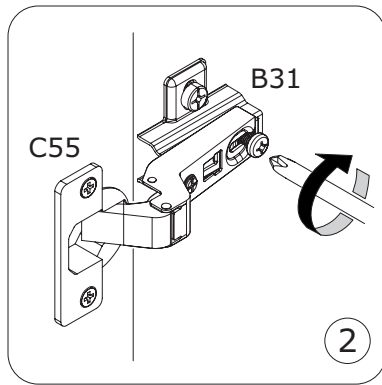
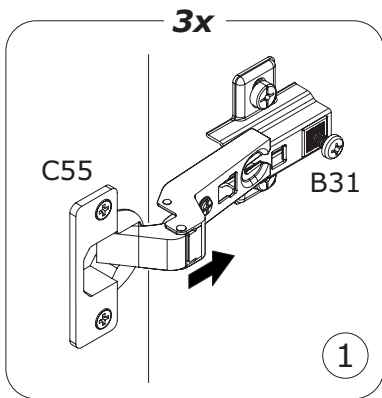
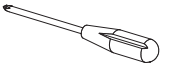
19



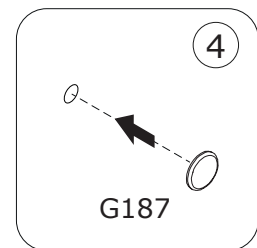
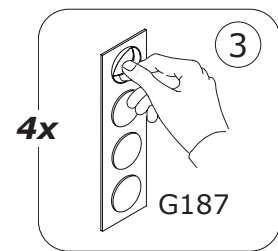
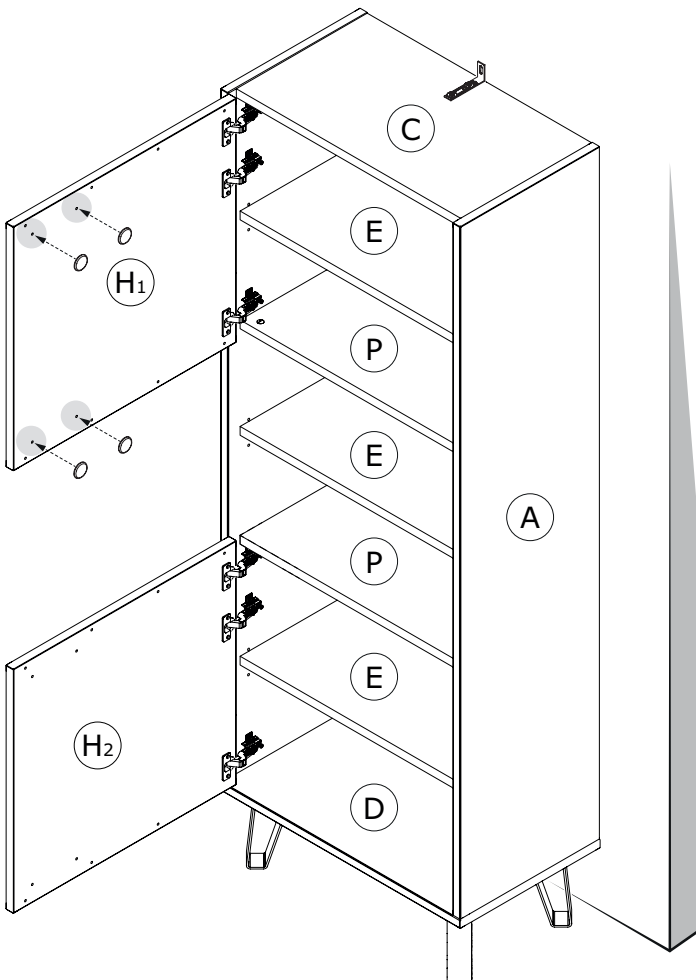
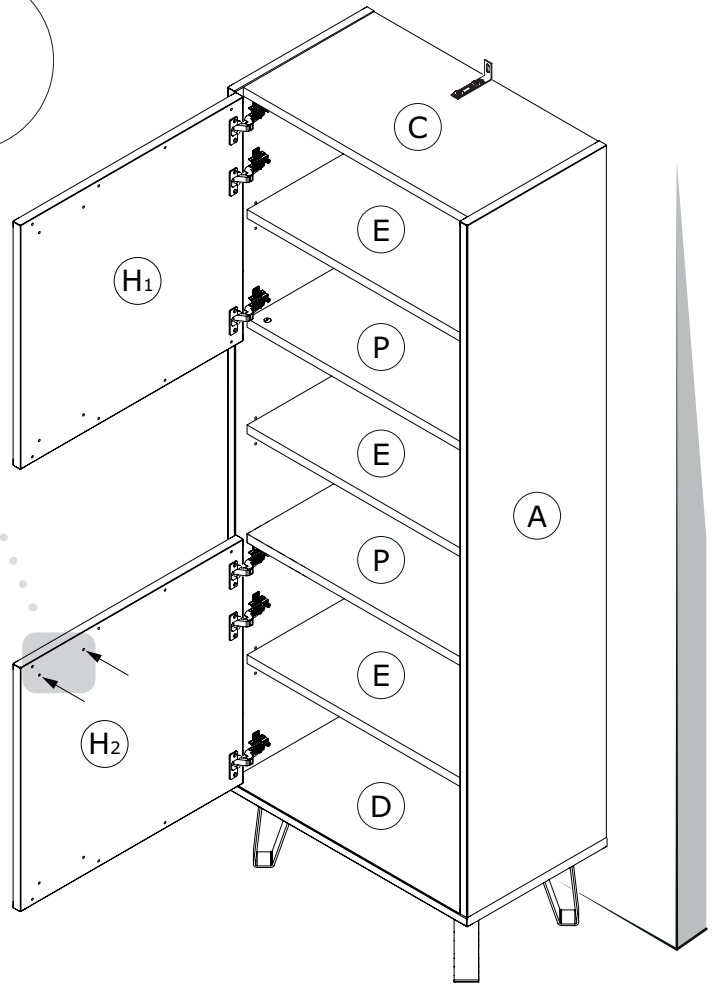
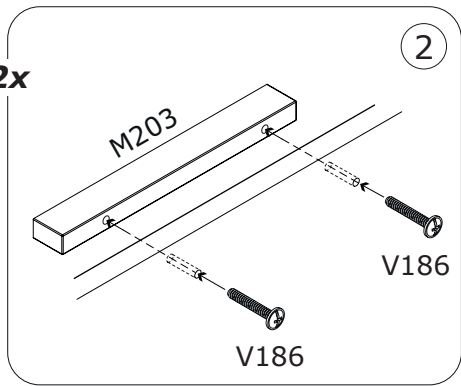
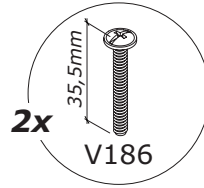
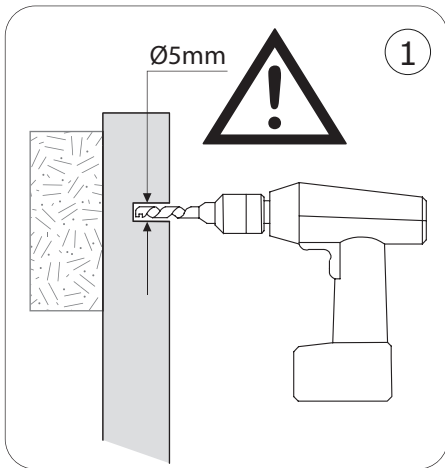
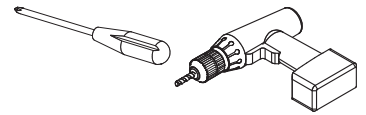
# B



**B**

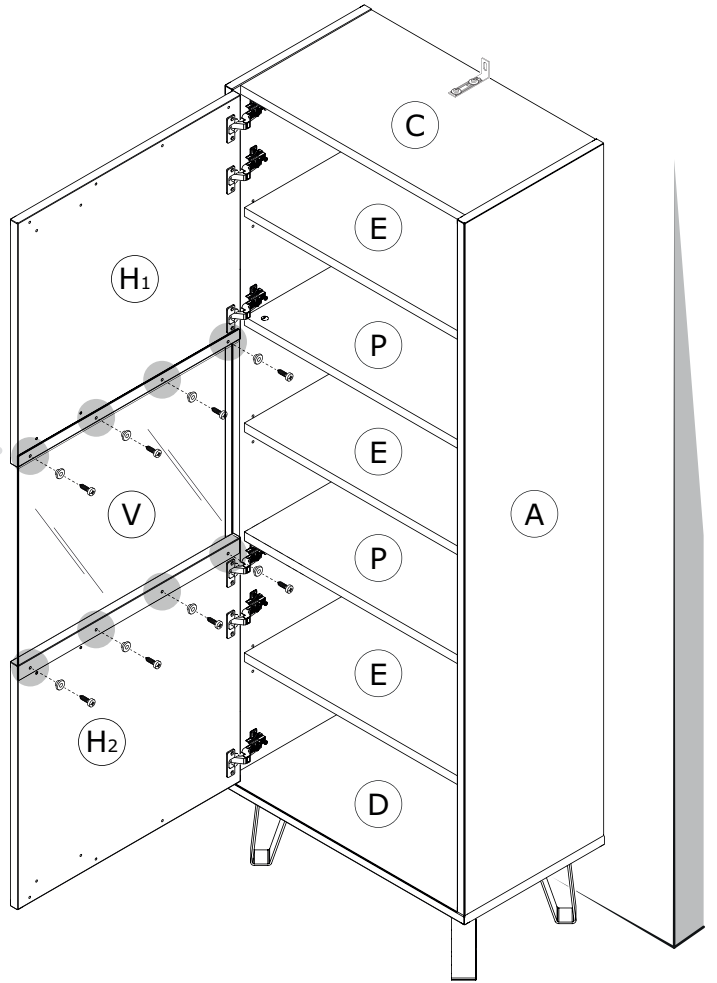
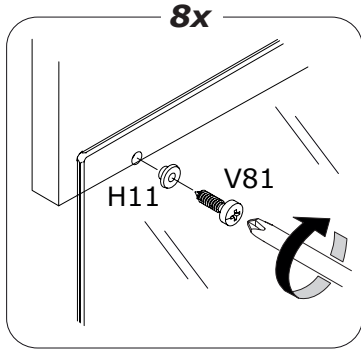
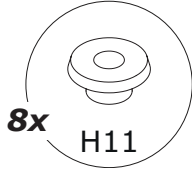
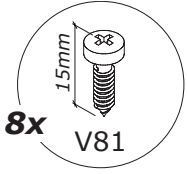
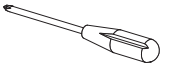


# B



23

**B**



24

