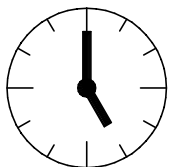
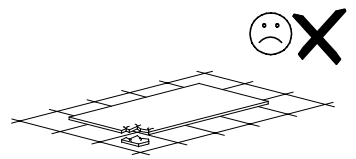
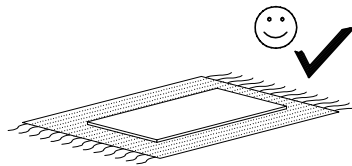
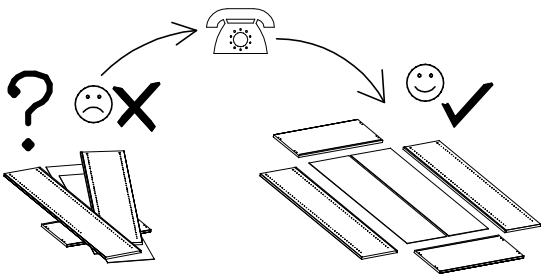
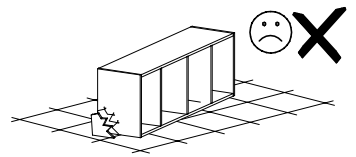
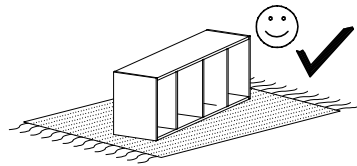
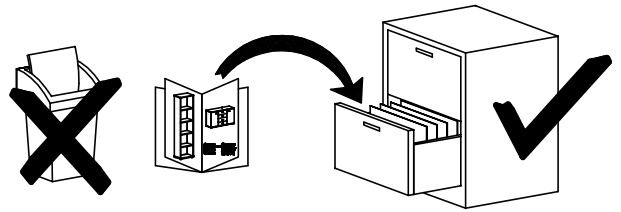
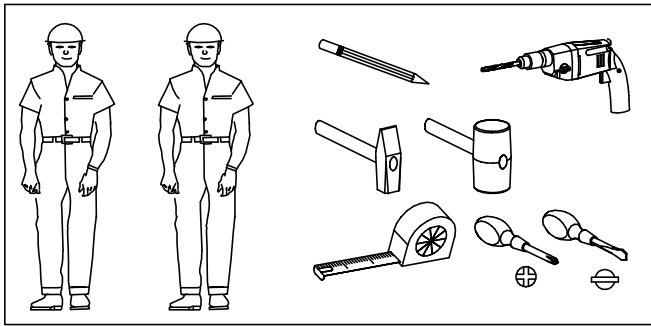
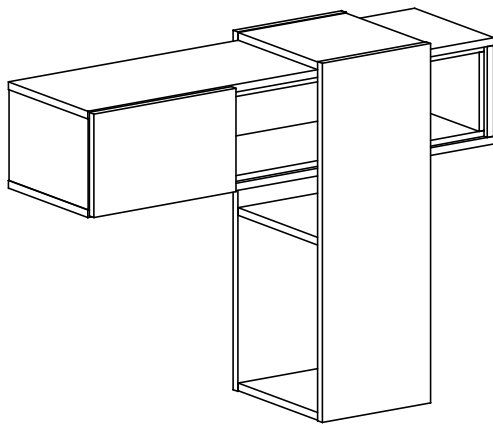
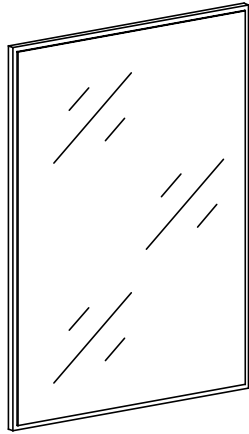
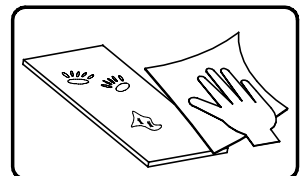
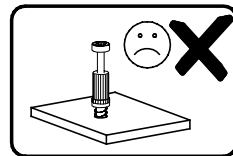
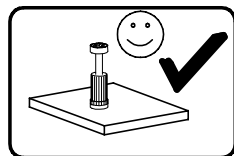


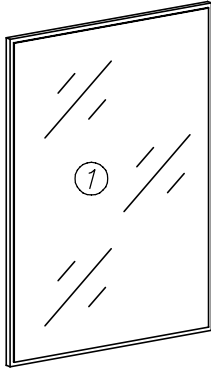
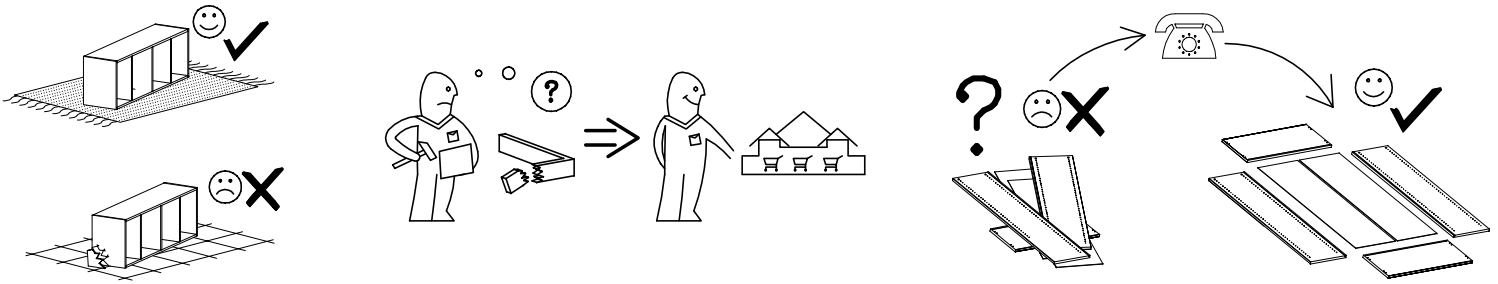
MOVE



1,5h

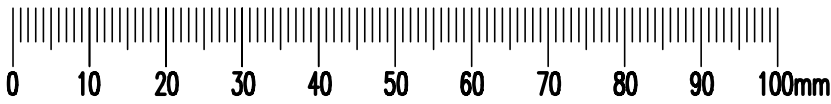
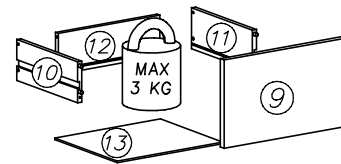
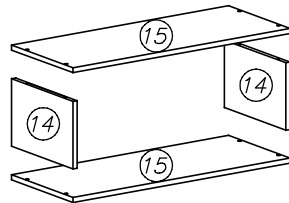
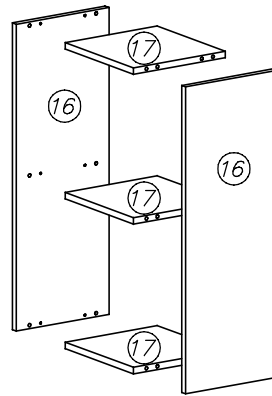
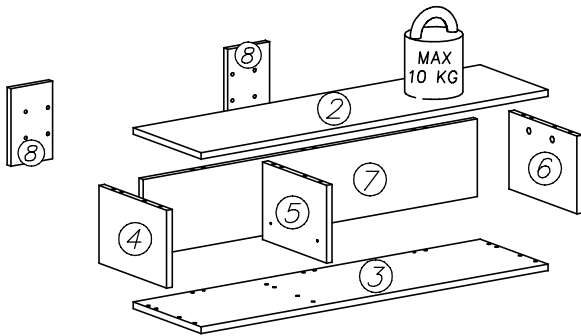


MOVE



nr	L[mm]	B[mm]	T[mm]	Menge	Colli
1	800	580	20	1	2/2
2	1000	278	16	1	1/2
3	1000	278	16	1	1/2
4	190	277	16	1	1/2
5	190	262	16	1	1/2

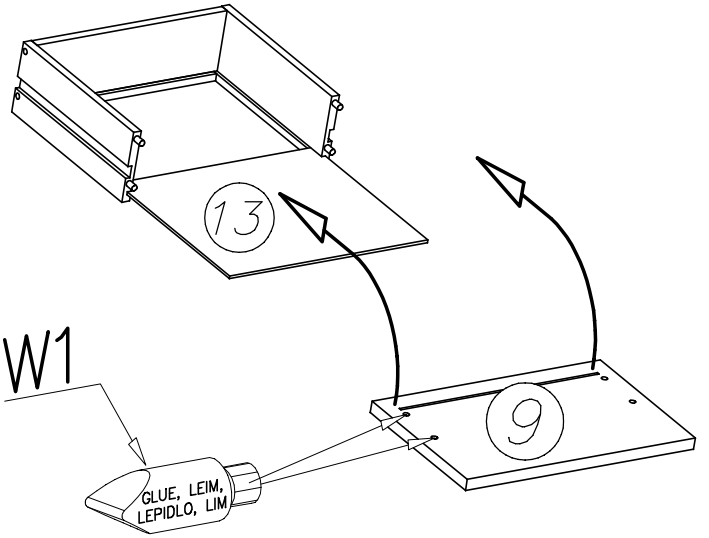
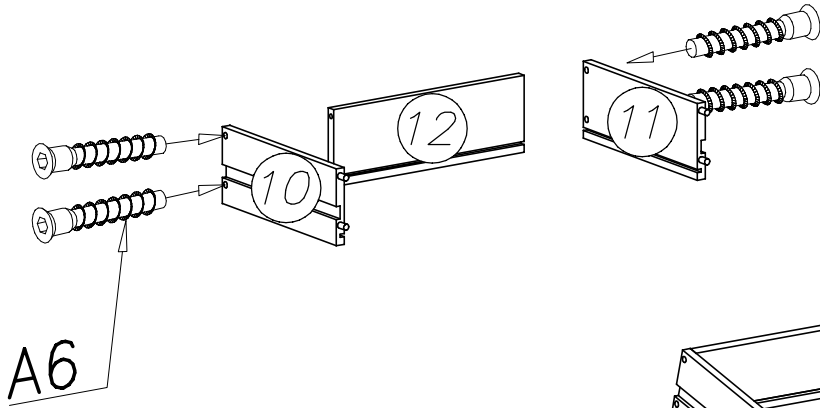
nr	L[mm]	B[mm]	T[mm]	Menge	Colli
6	190	277	16	1	1/2
7	966	190	16	1	1/2
8	190	120	16	2	1/2
9	350	216	16	1	1/2
10	250	100	12	1	1/2
11	250	100	12	1	1/2
12	292	100	12	1	1/2
13	302	251	3	1	1/2
14	165	250	12	2	1/2
15	624	252	12	2	1/2
16	750	266	16	2	1/2
17	280	262	16	3	1/2



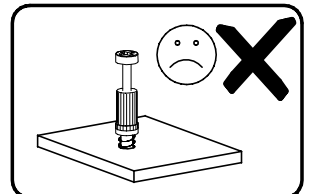
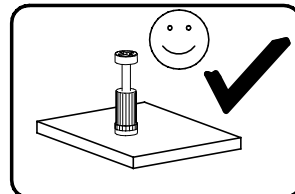
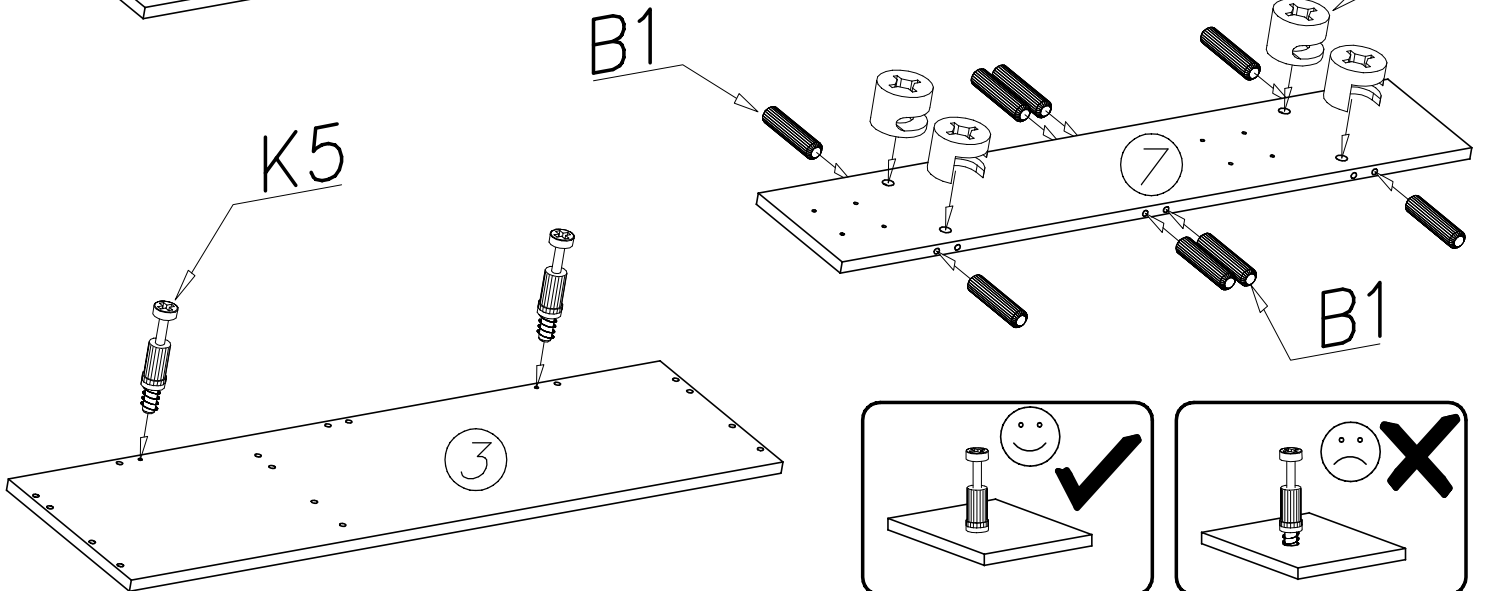
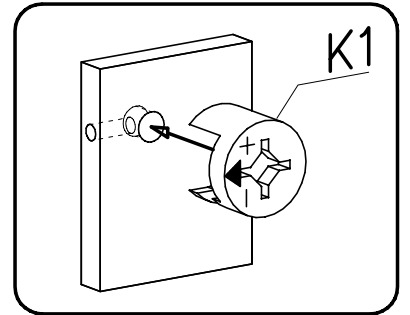
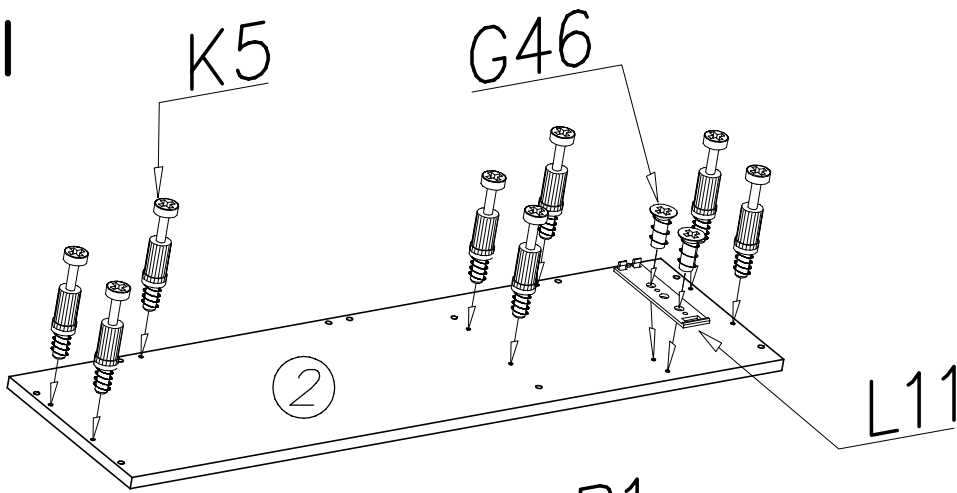
W7 3mm x...(1)	W2 4mm x...(1)	W1 GLUE, LEIM, LEPIDLO, LIM x...(1)	U7S x...(4)	U1 x...(2)
A1 ø7x50 x...(6)	L11 x...(1)	G12 4x25 x...(2)	U8 ø10x60 x...(4)	A4 ø5x40 x...(8)
K1 ø15x12 x...(22)	N1 M4x9 x...(2)	A8 ø7x28 x...(8)	A6 ø7x40 x...(4)	W8 50x20 x...(4)
K5 x...(22)	B1 ø8x35 x...(32)	H2 250mm x...(2)	G46 6x8 x...(10)	

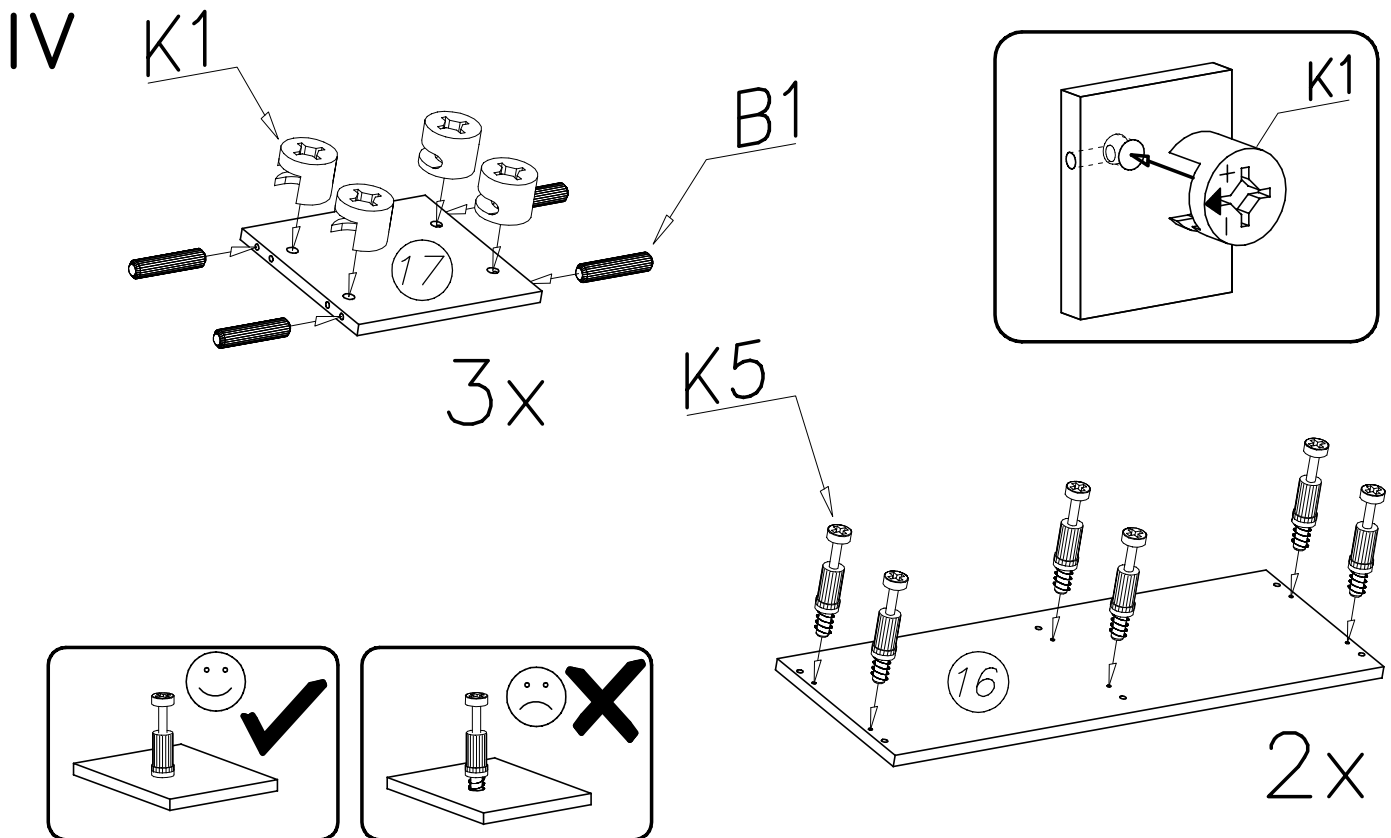
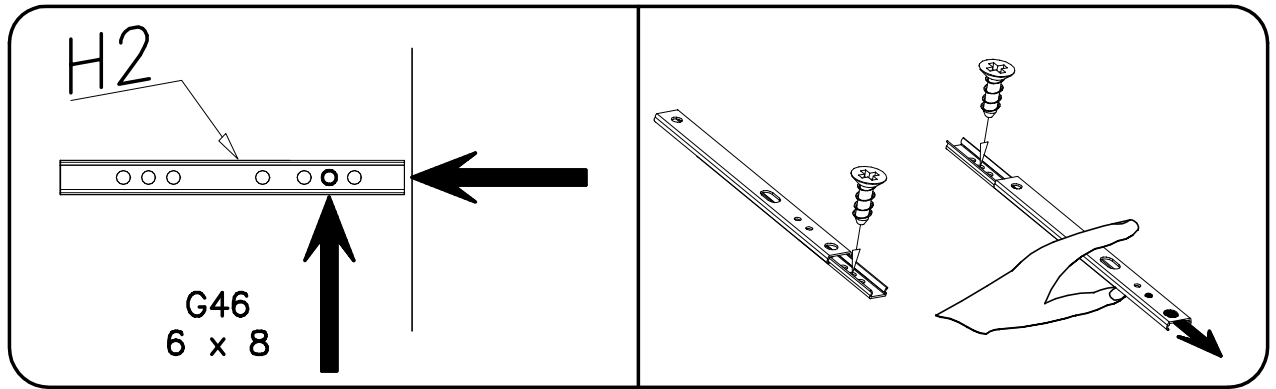
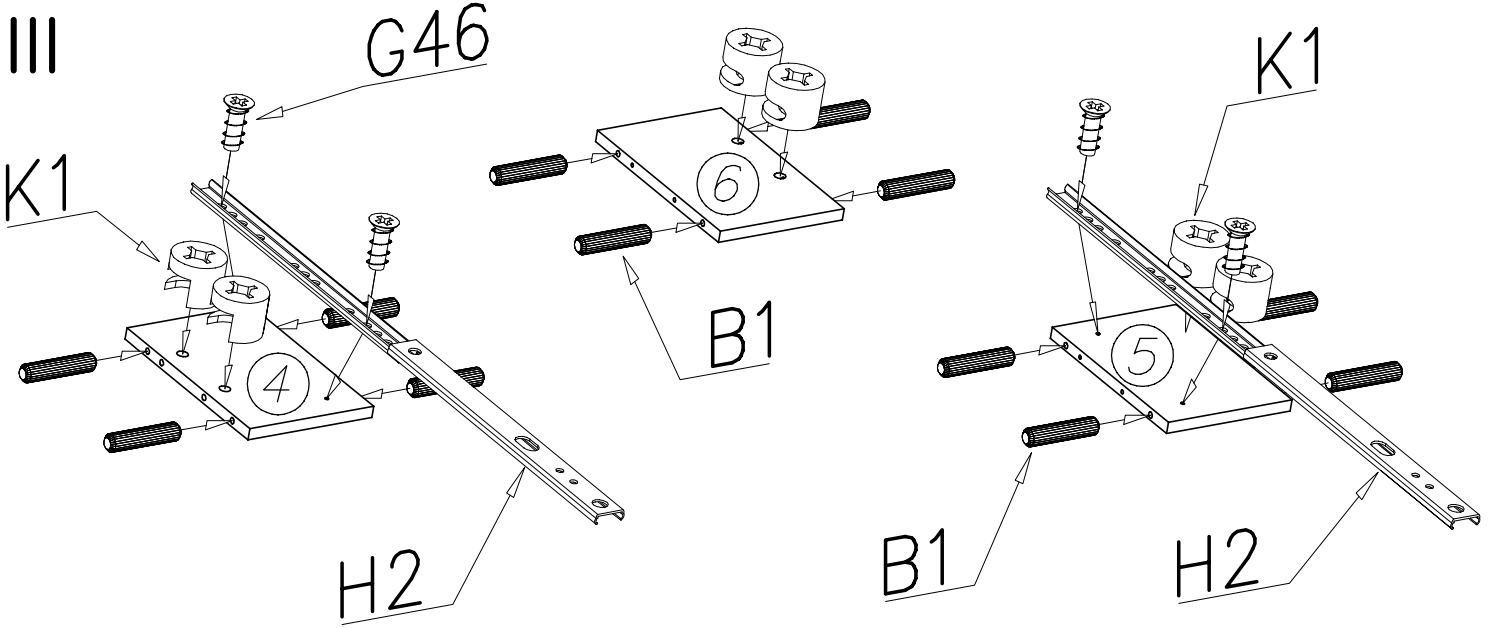


I



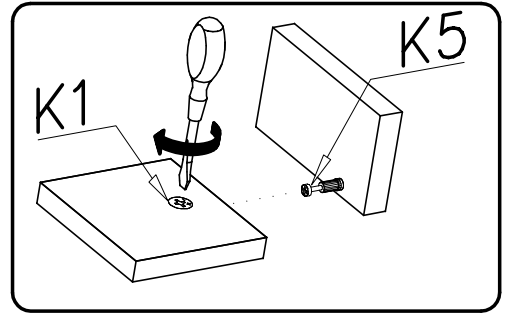
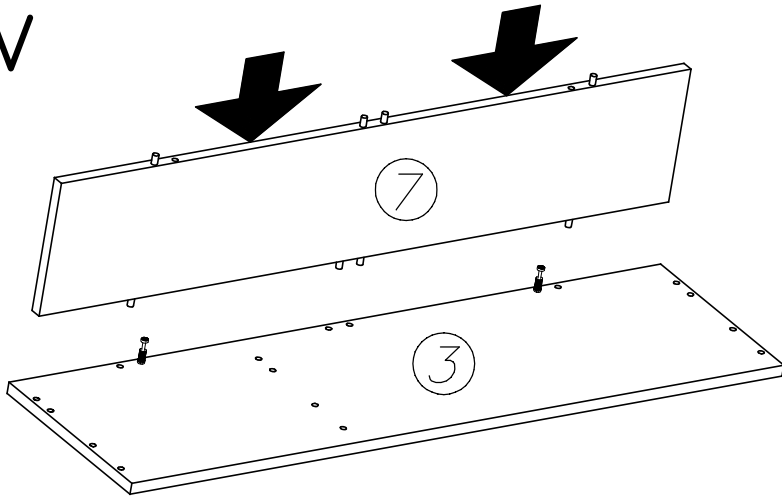
II



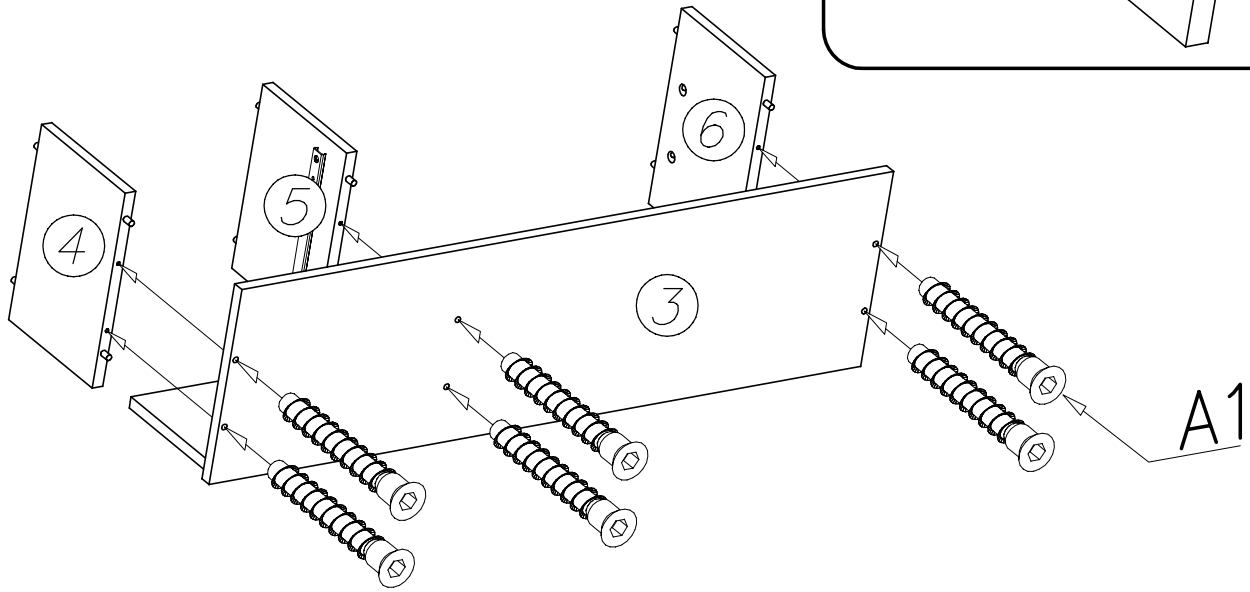




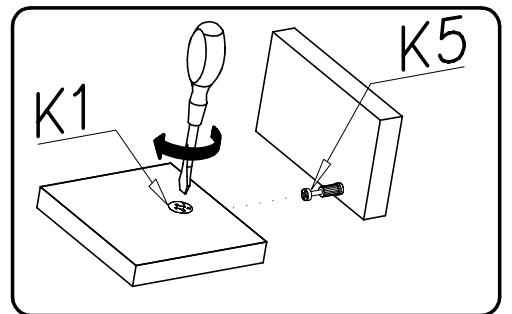
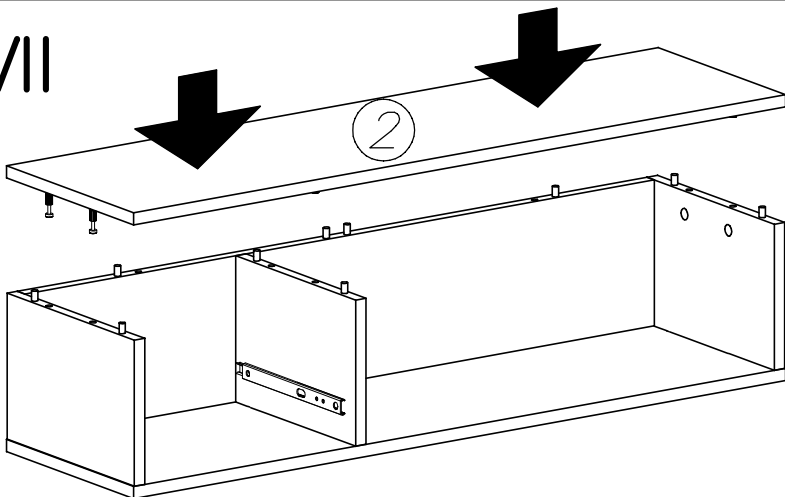
V



VI

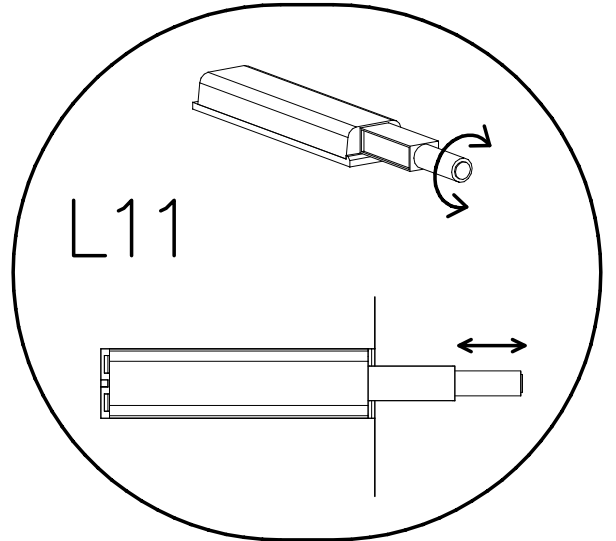
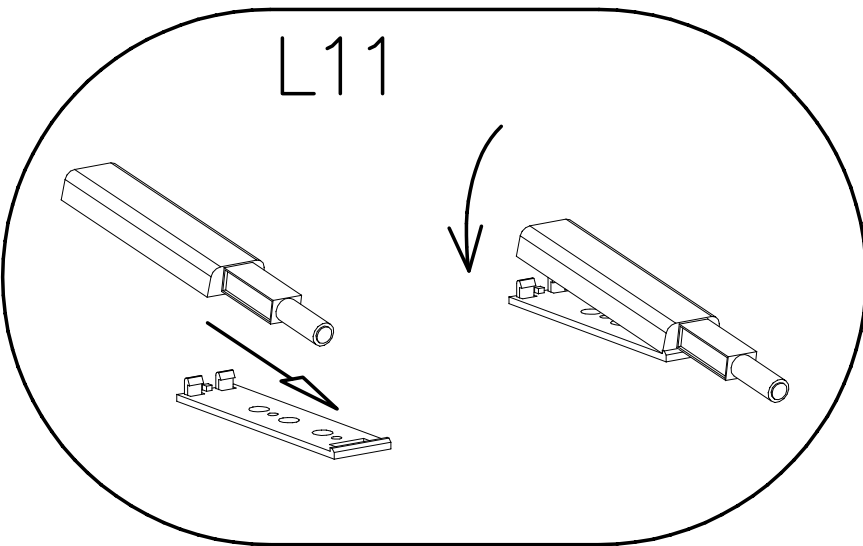
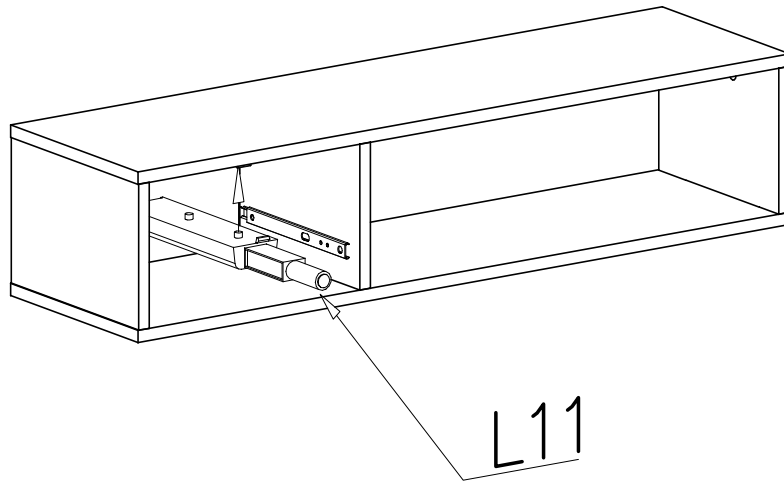


VII

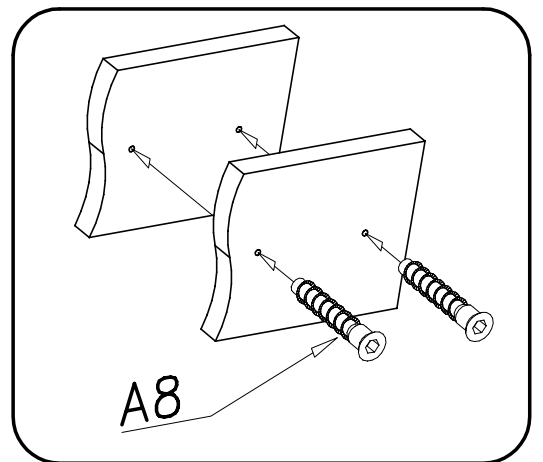
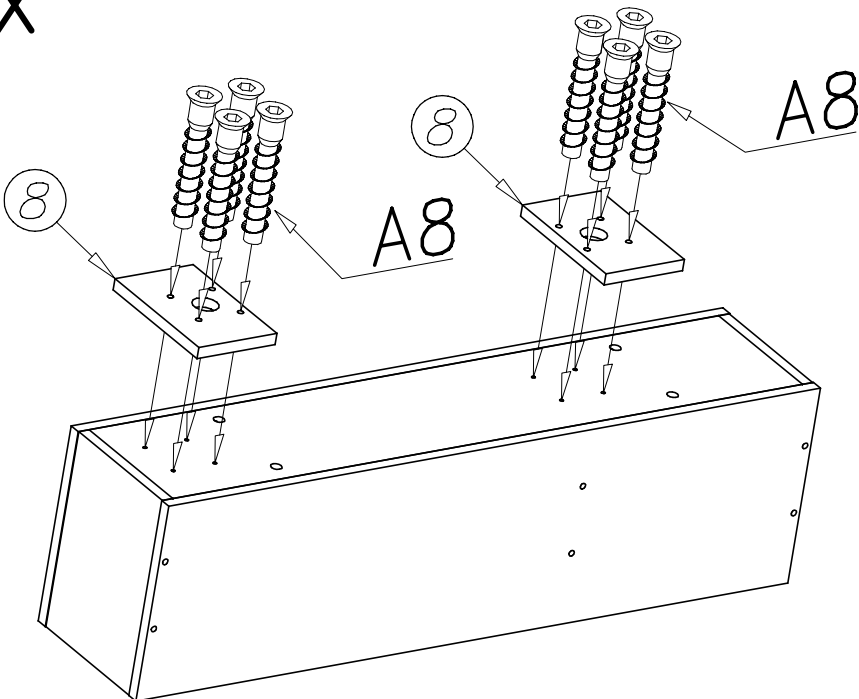




VIII

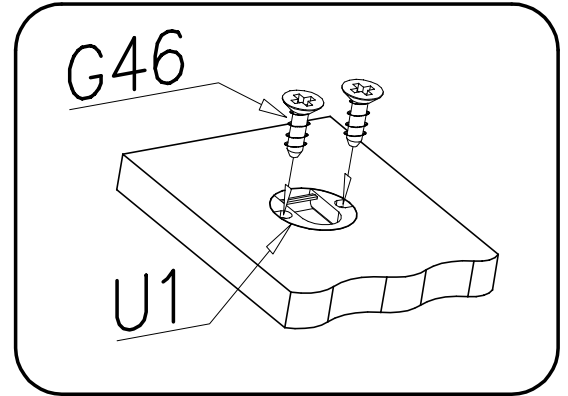
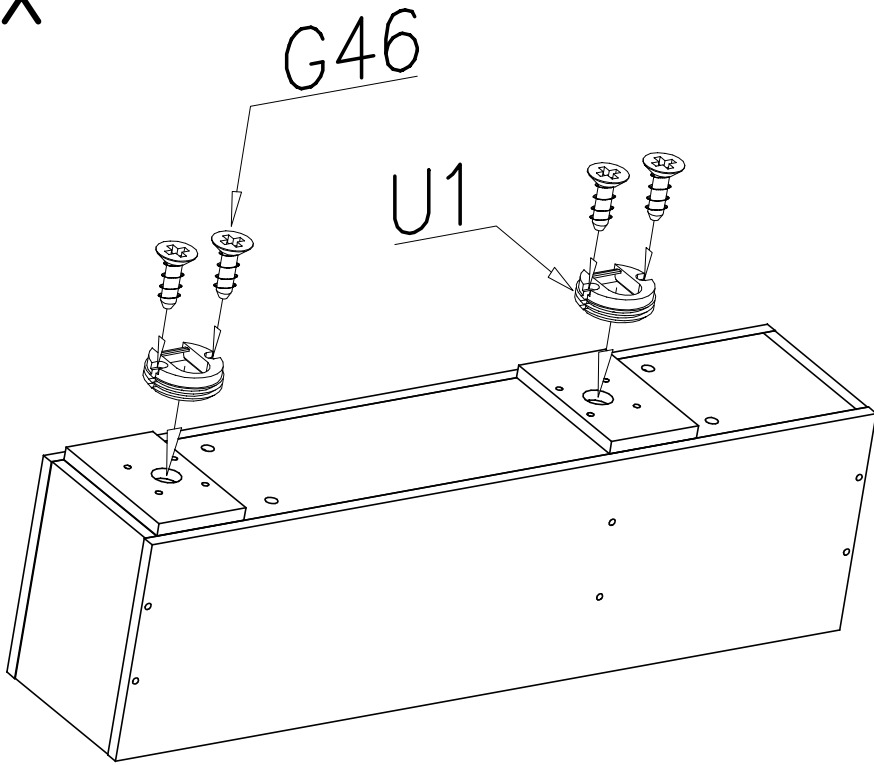


IX

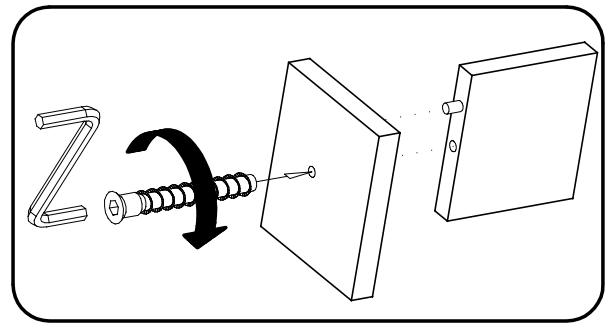
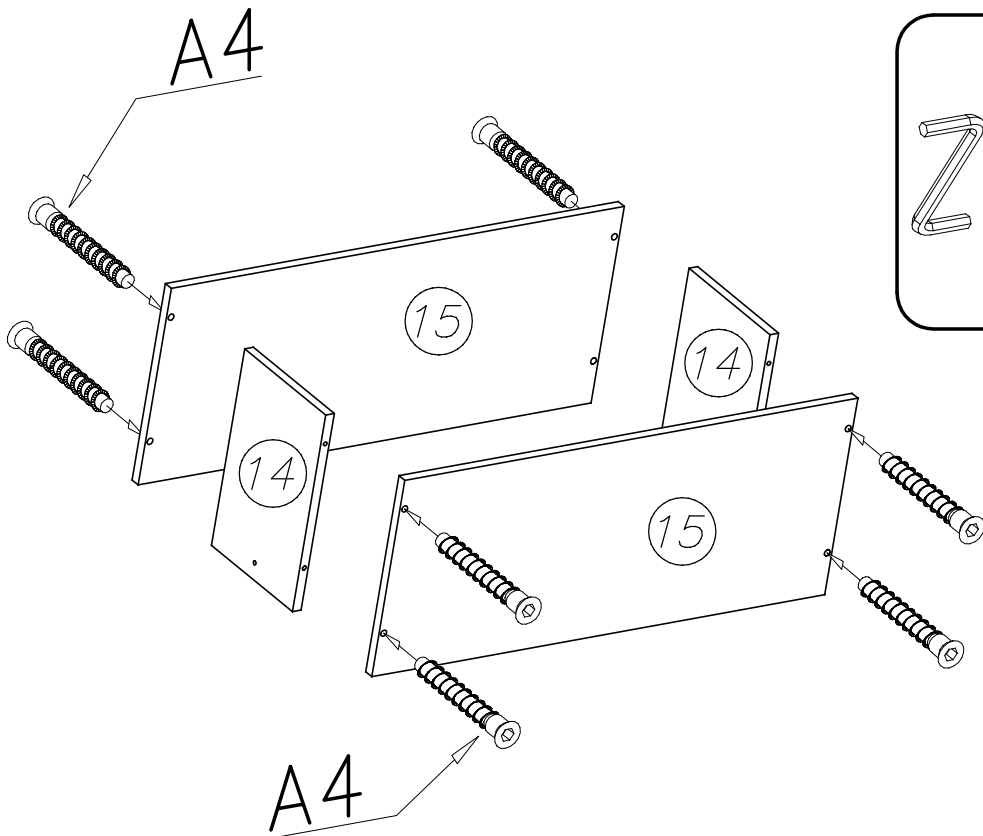




X

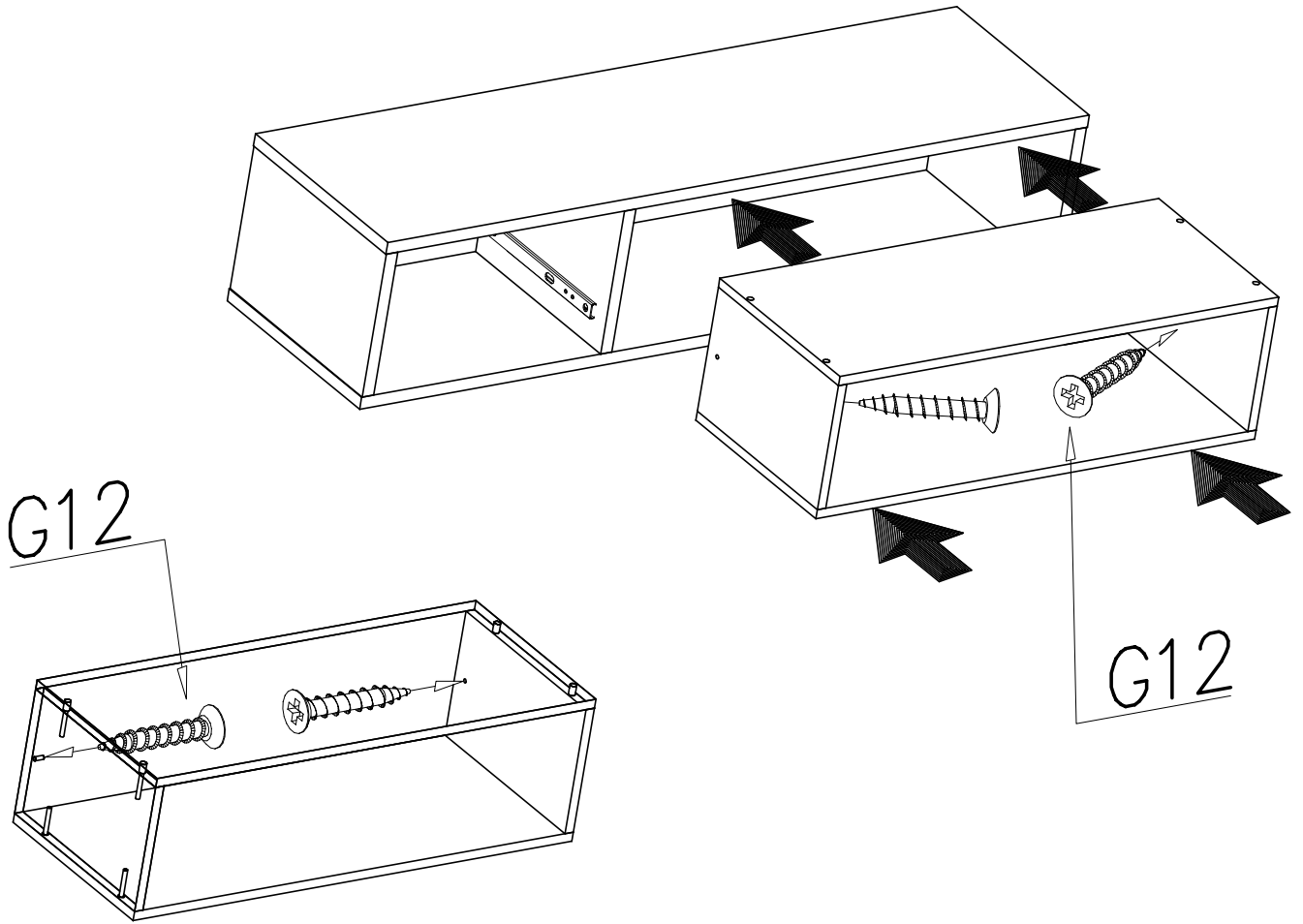


XI

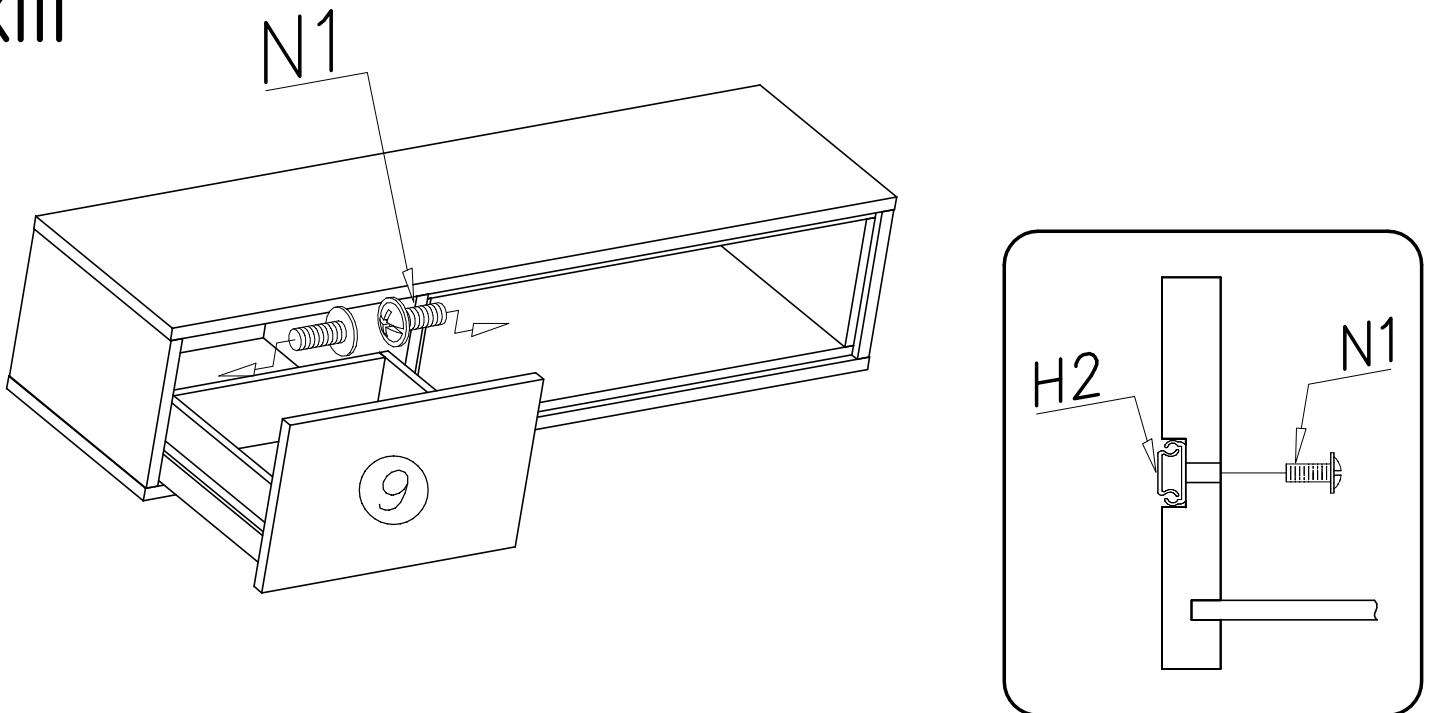




XII

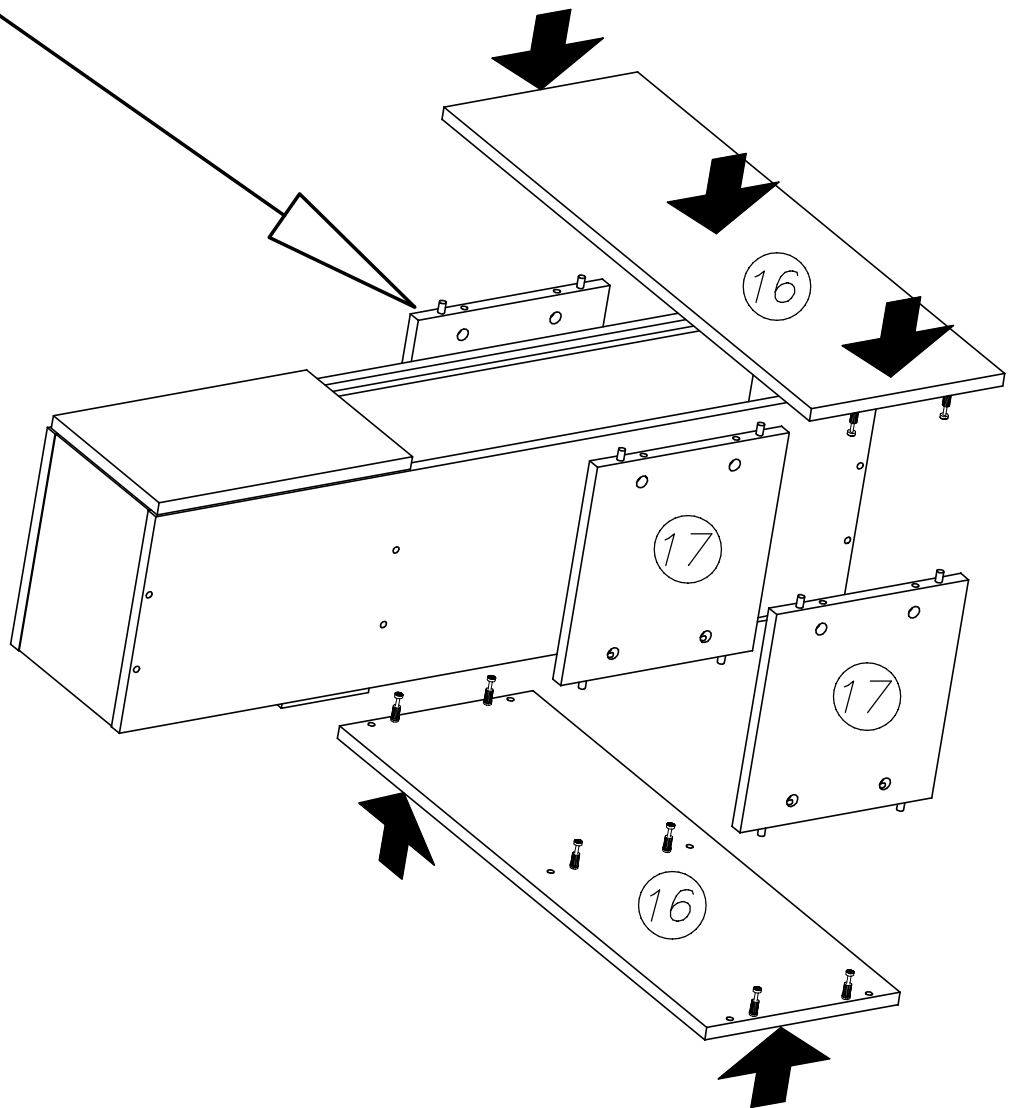
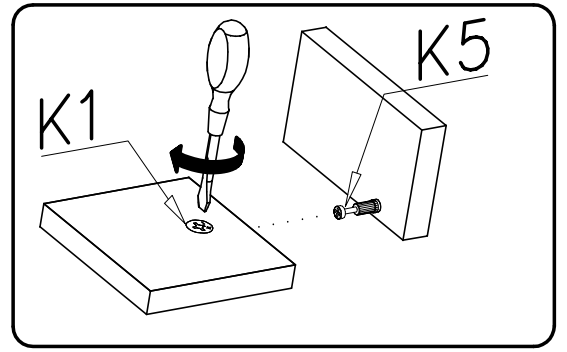
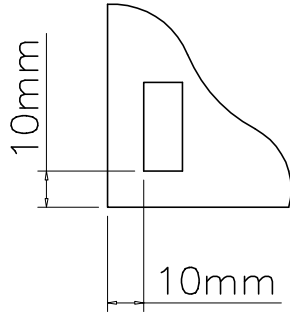
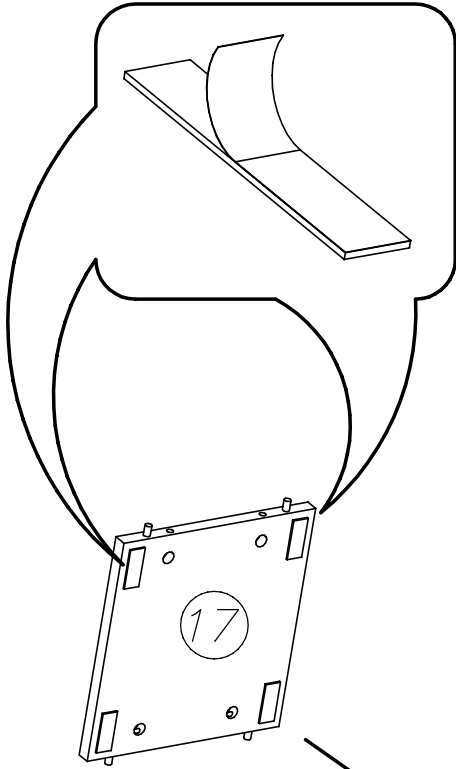


XIII



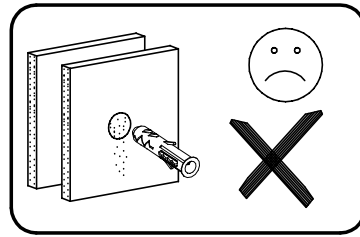
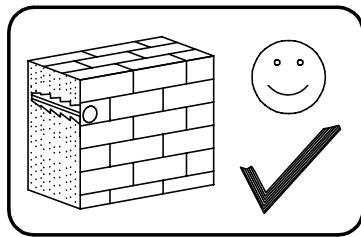
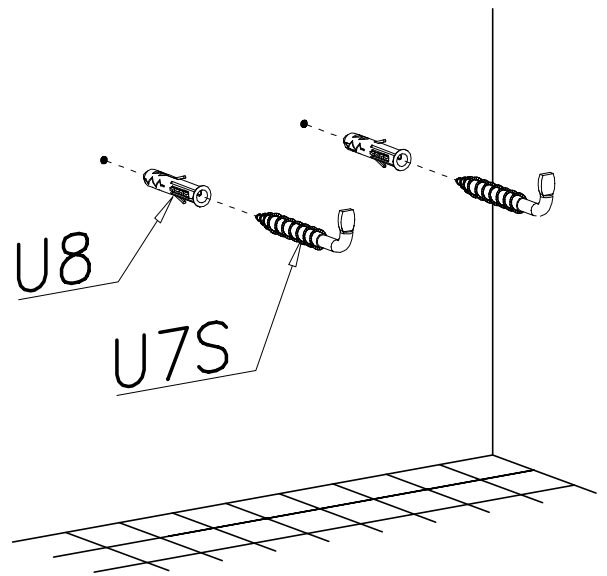
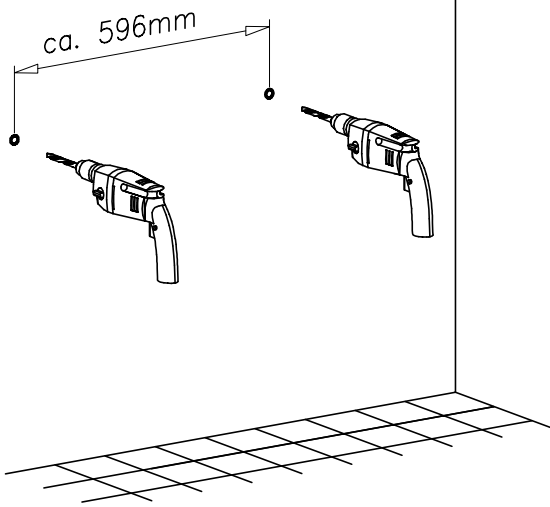


XIV

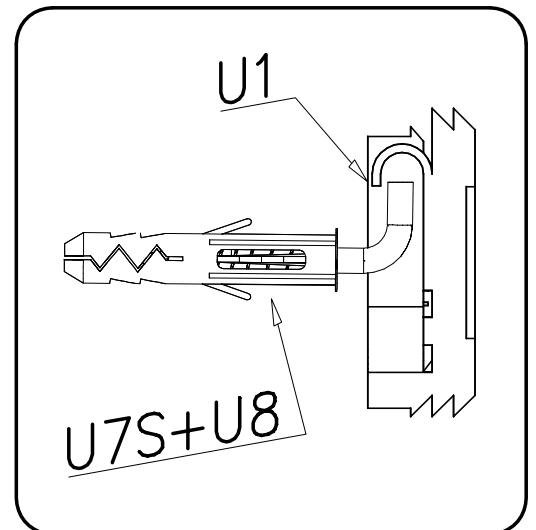
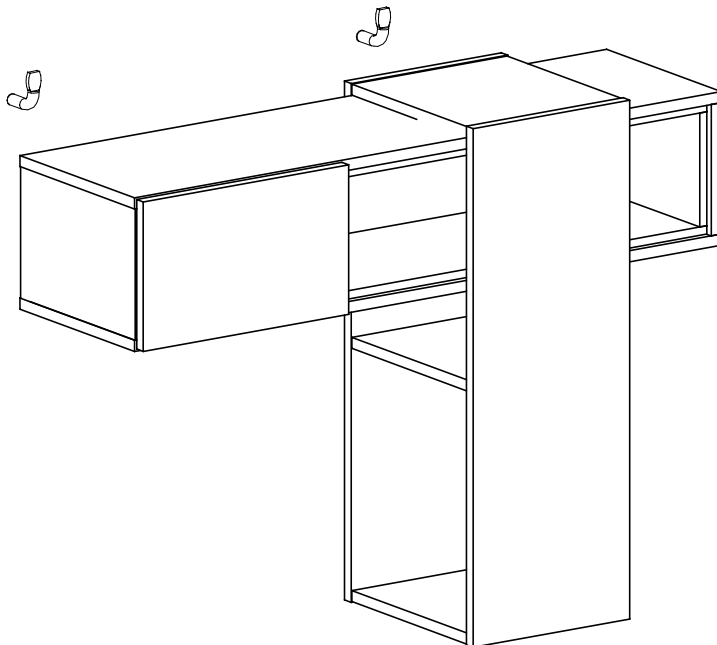




XV

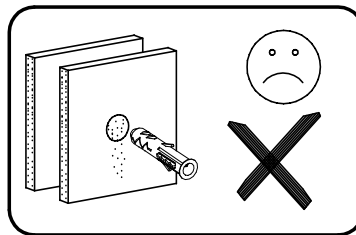
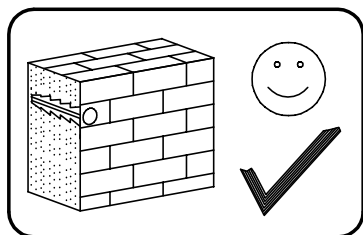
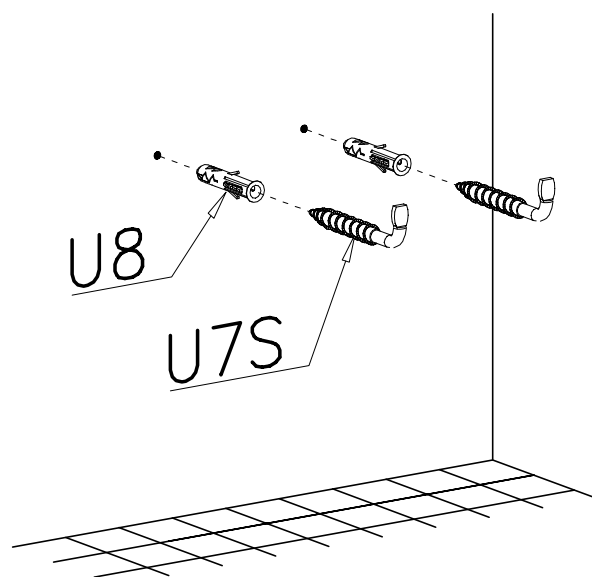
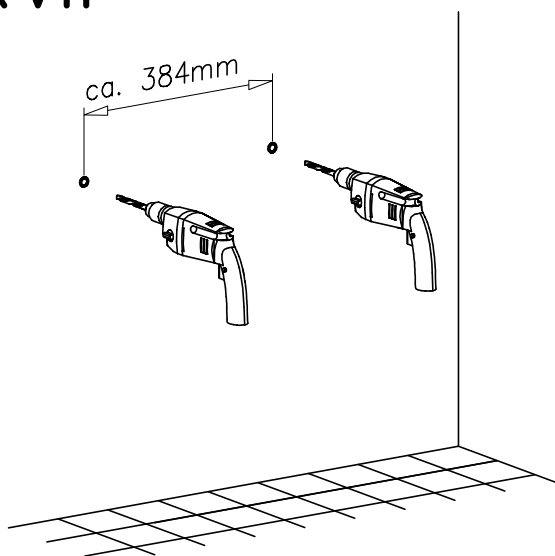


XVI





XVII



XVIII

