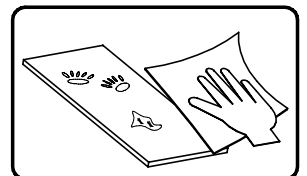
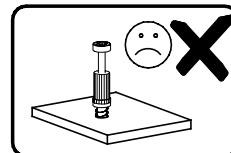
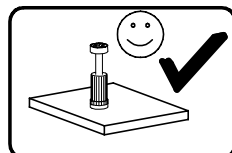
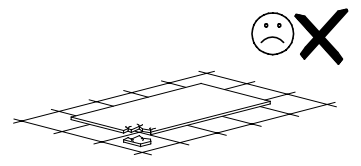
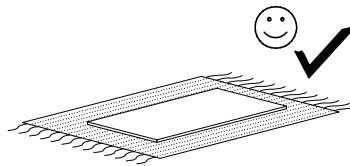
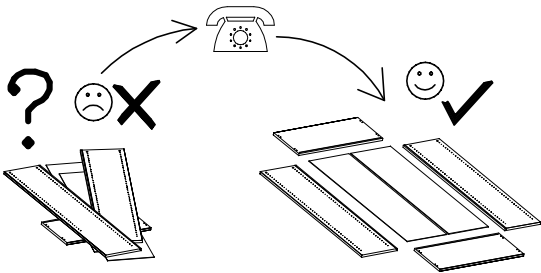
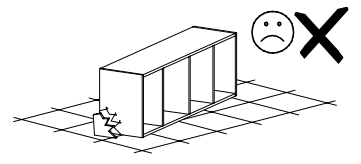
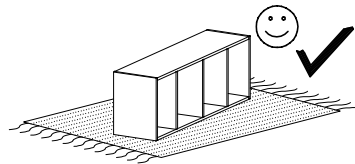
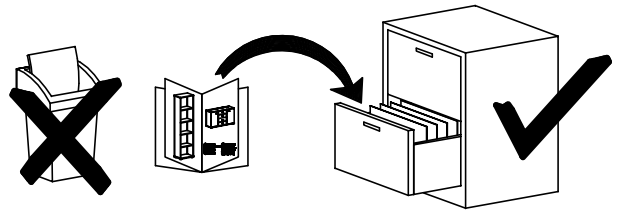
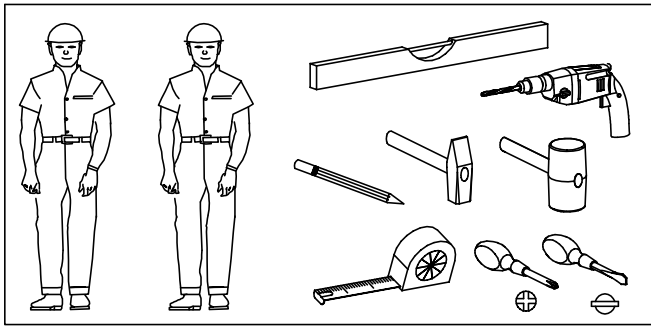
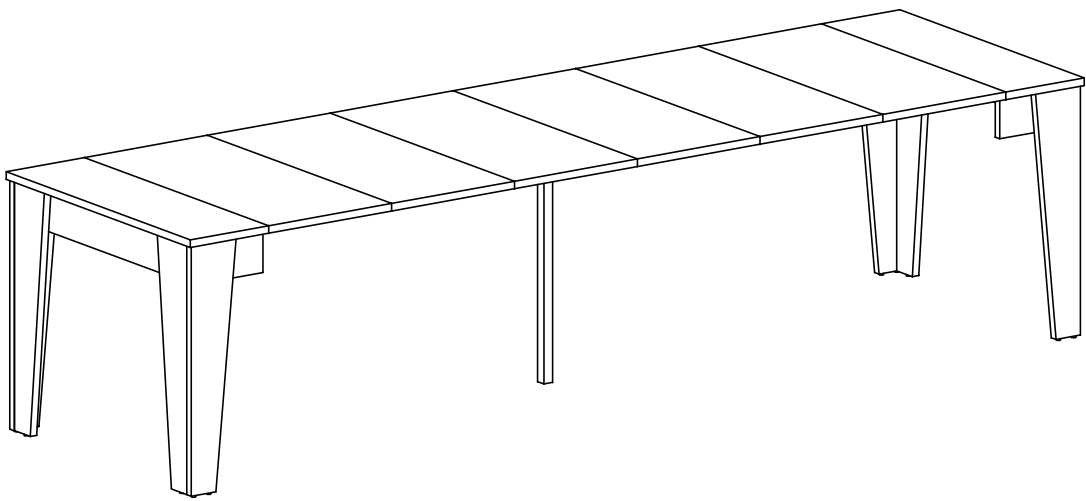
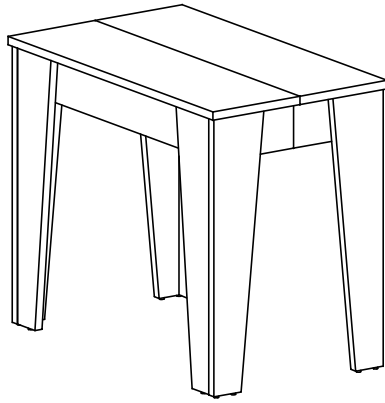
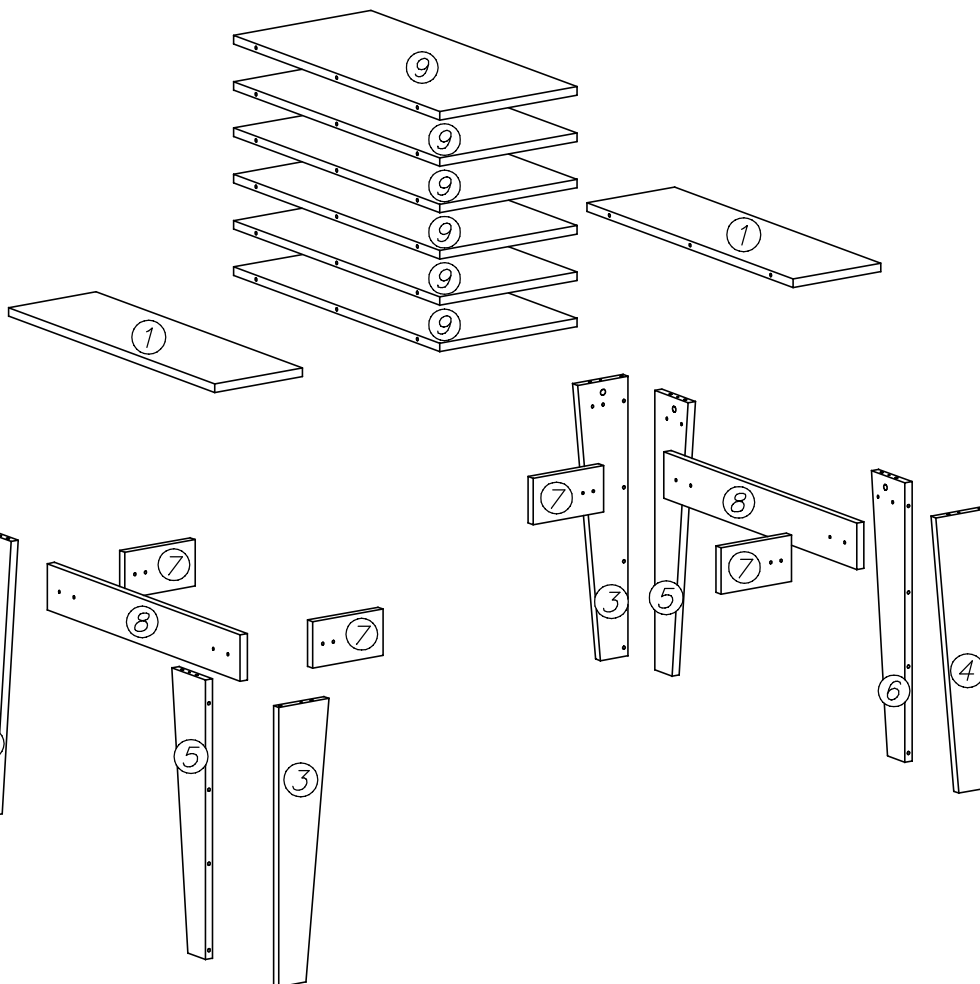
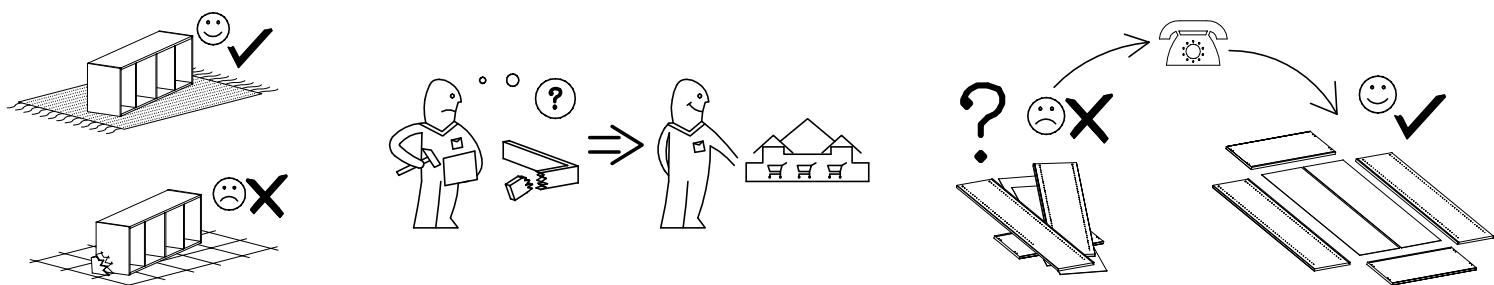





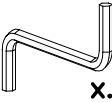
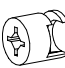
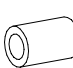

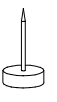
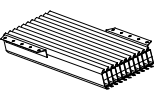
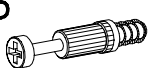

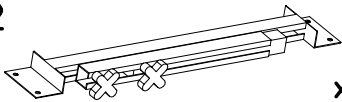

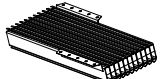
CONSOLA L

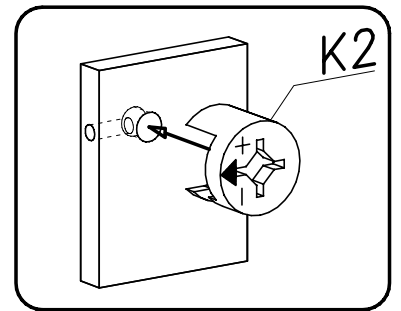
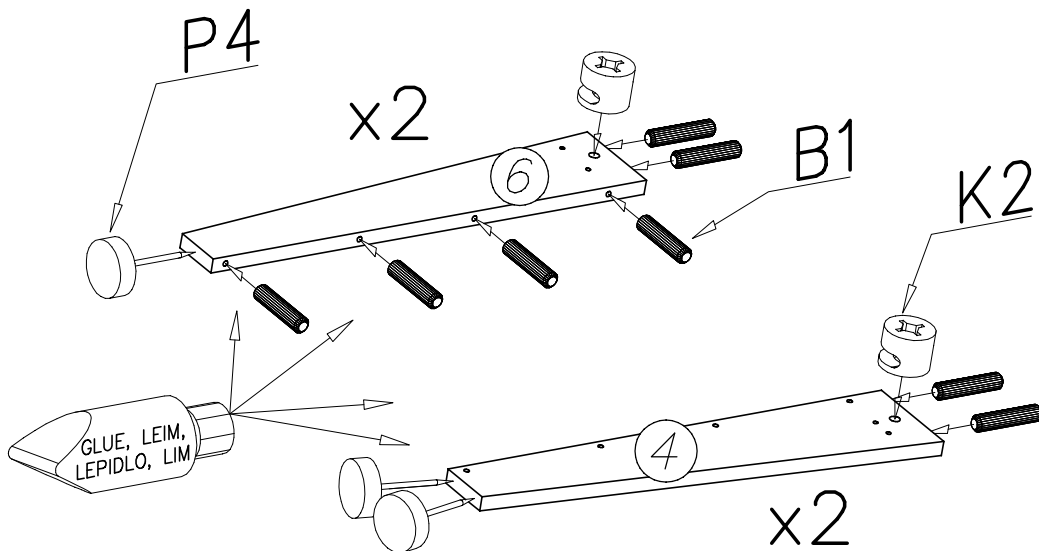
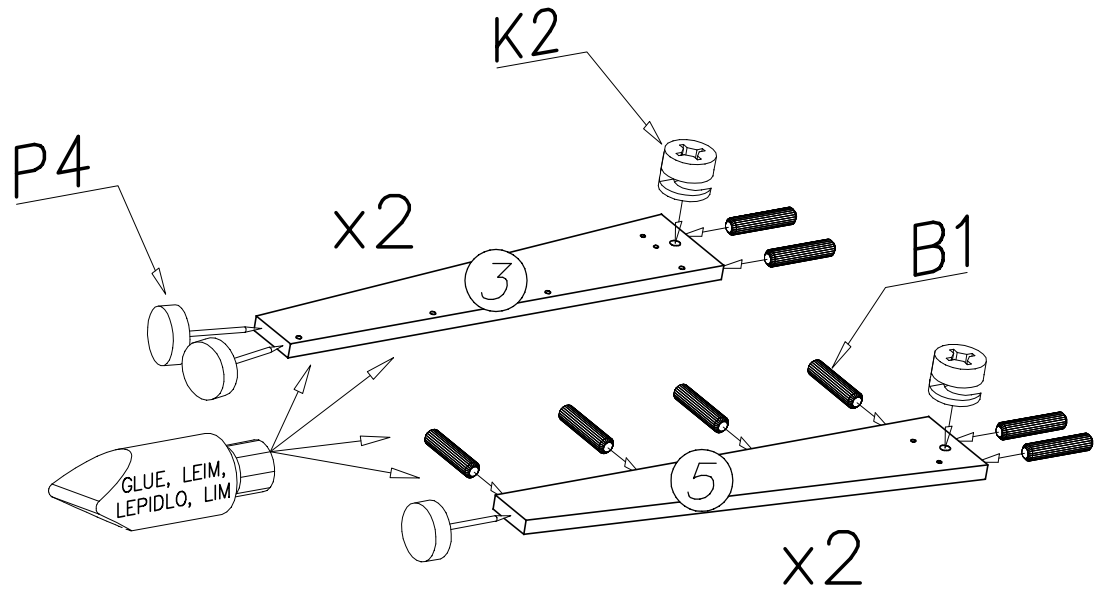
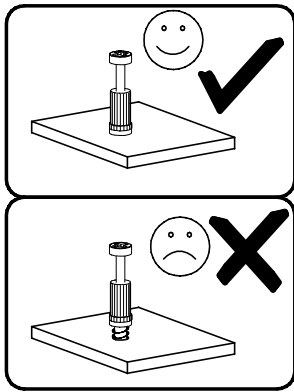
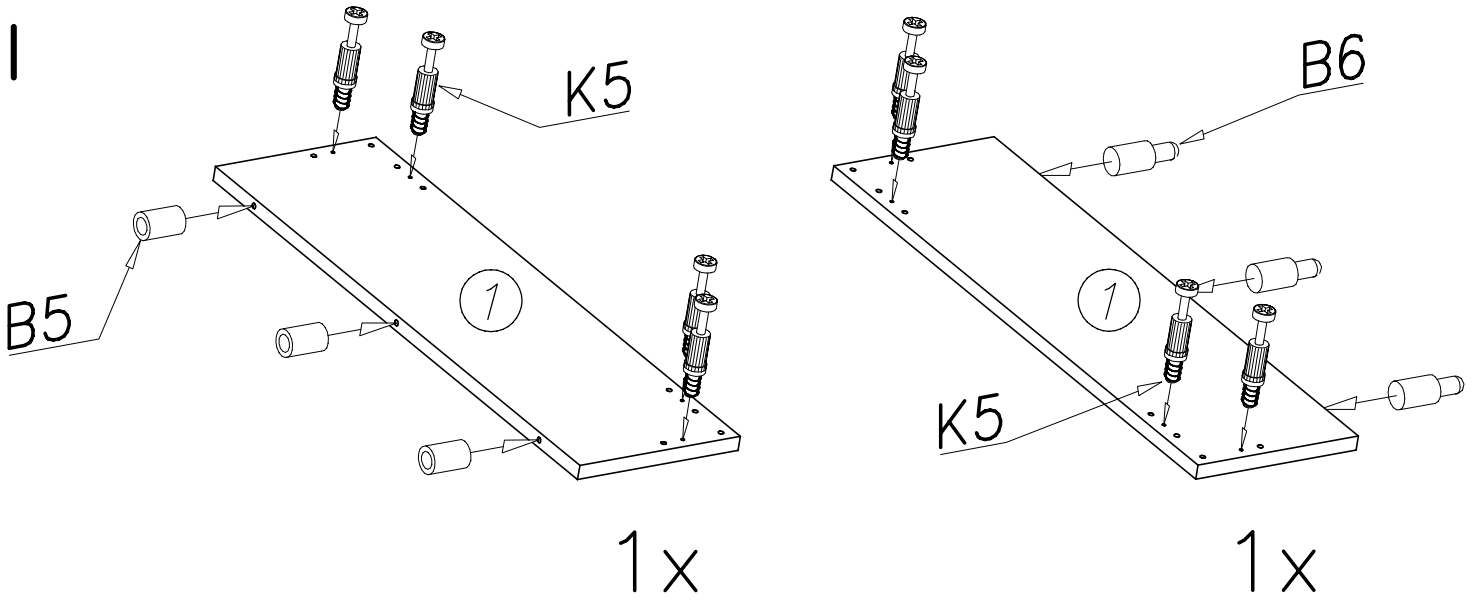


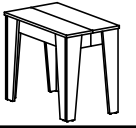
CONSOLA L



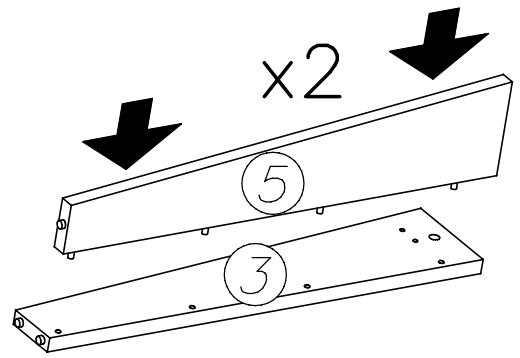
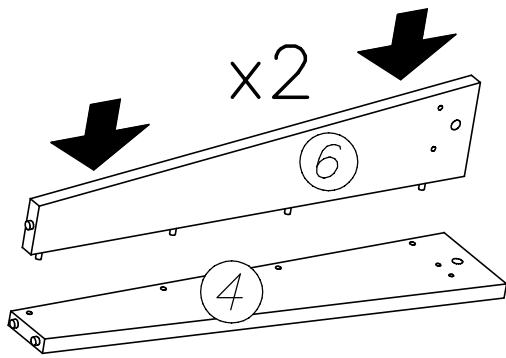
	L[mm]	D[mm]
1	1000	268
3	731	157
4	731	157
5	731	149
6	731	149
7	123	215
8	123	842
9	900	420

A6  ø7x40 x...(16)	W1  GLUE, LEIM, LEPIDLO, LIM x...(2)	N35  M6x9 x...(4)				
W2  x...(1)	K2  ø15x16 x...(8)	B5  x...(21)	B6  x...(21)	P4  x...(12)	H18  x...(1)	
K5  x...(8)	B1  ø8x35 x...(32)	P42  x...(1)		G11  4x20 x...(12)		 x...(1)

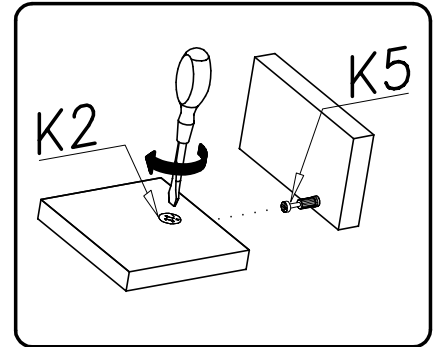
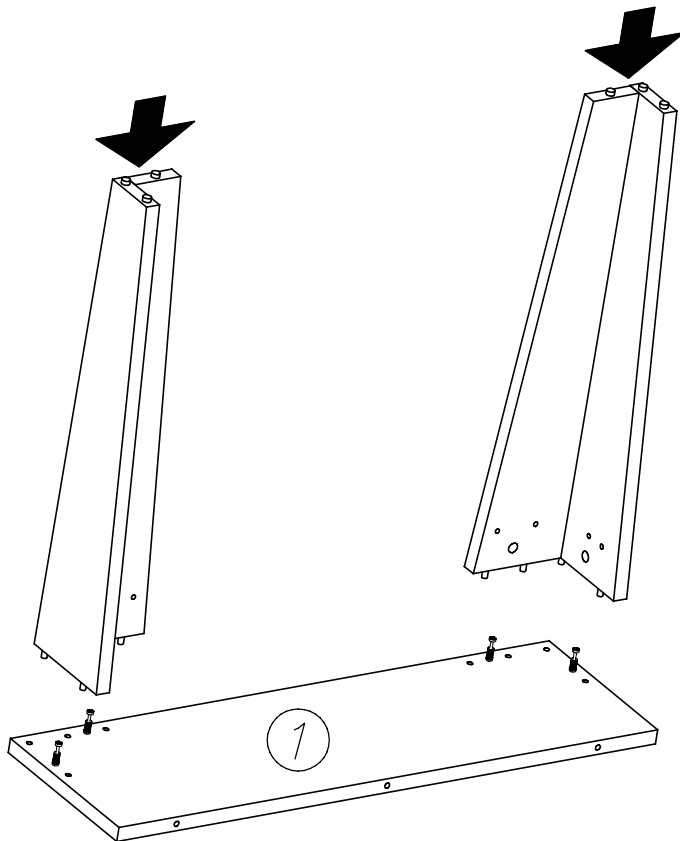




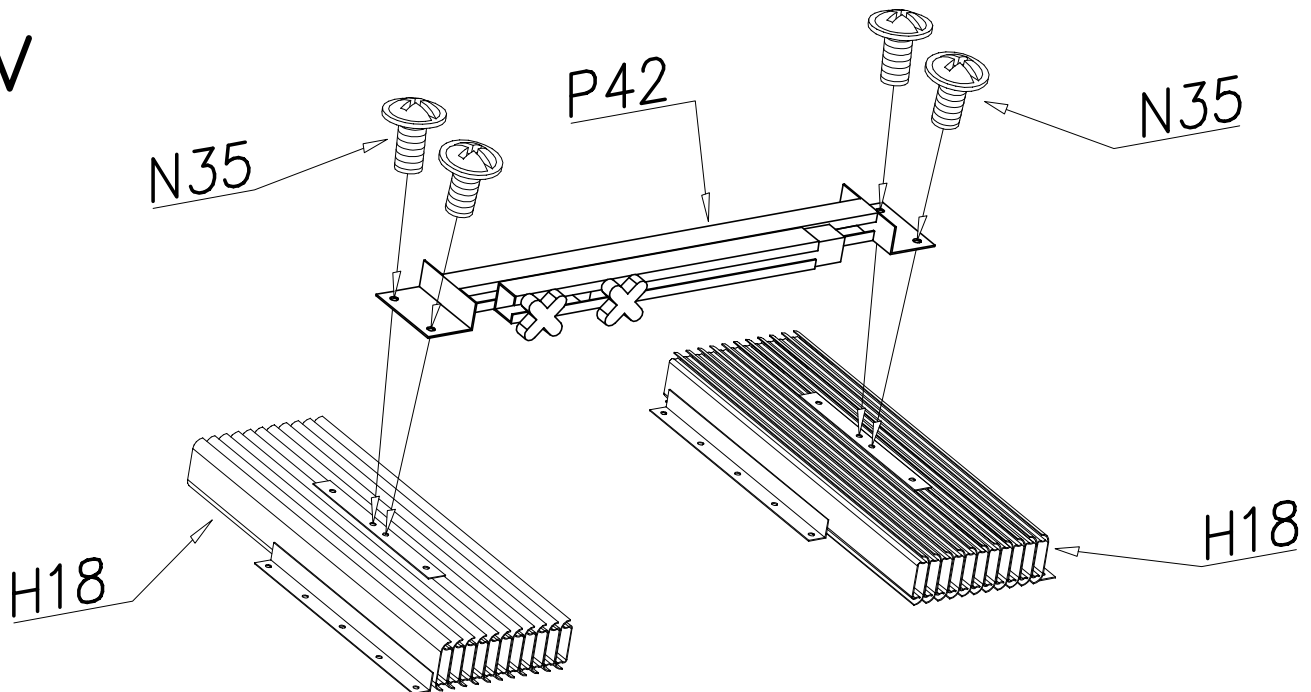
II



III

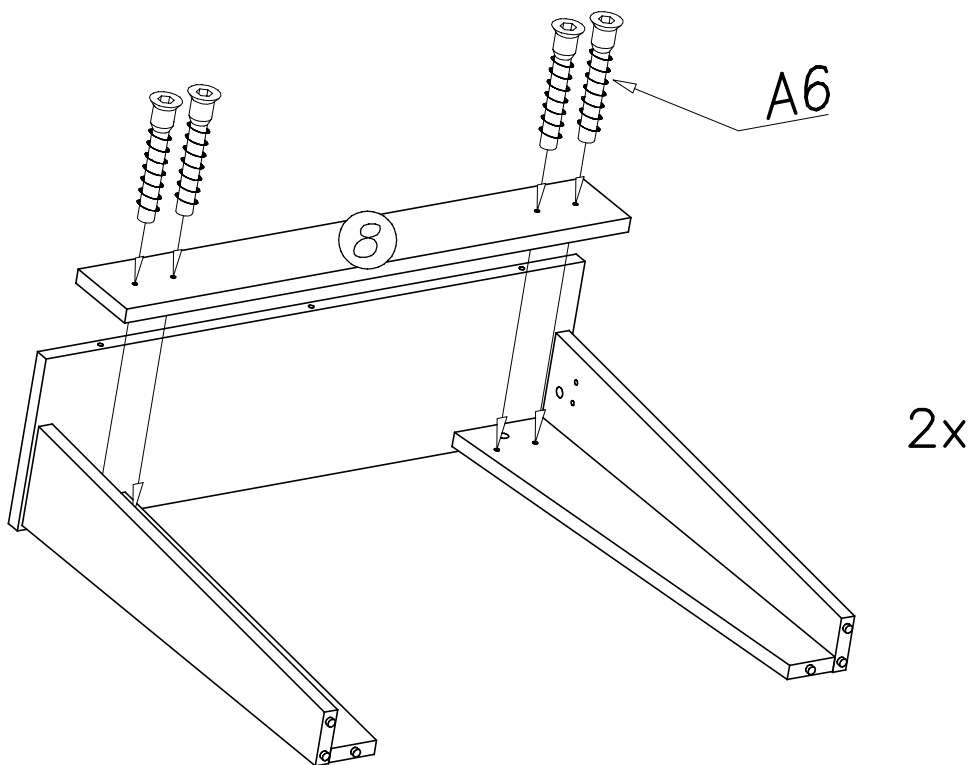


IV

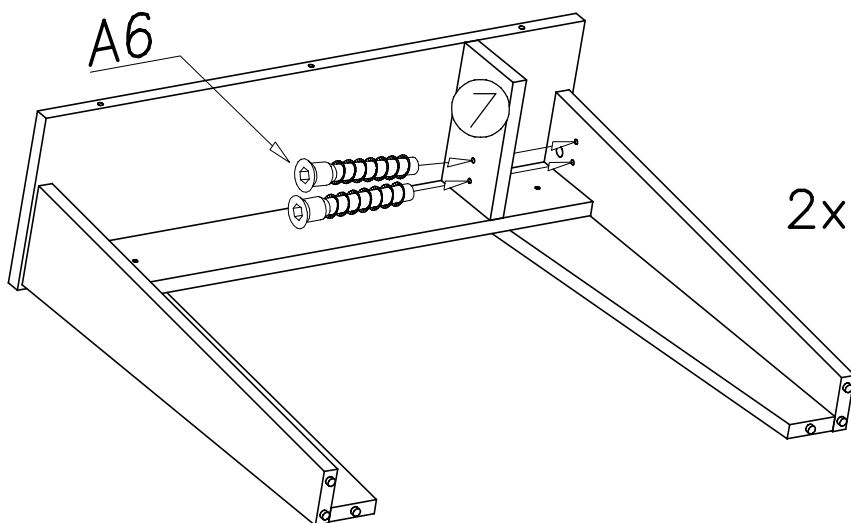




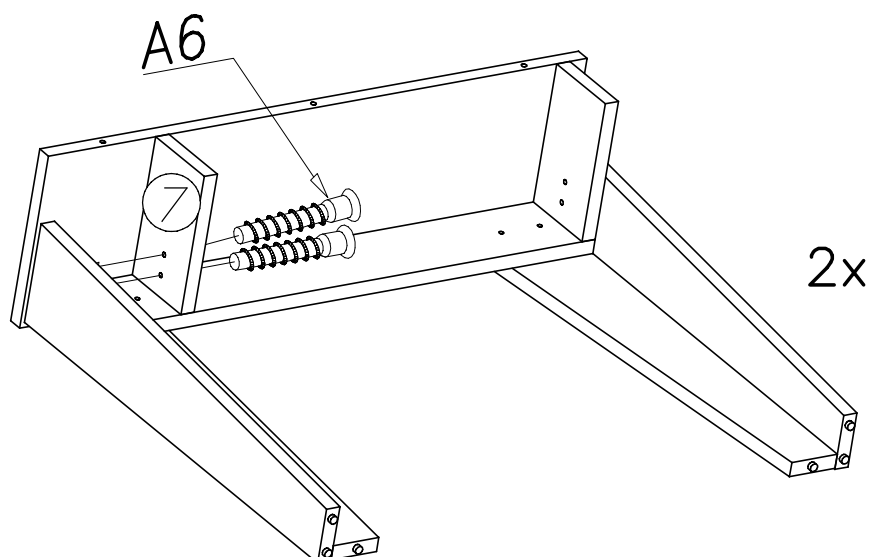
V



VI

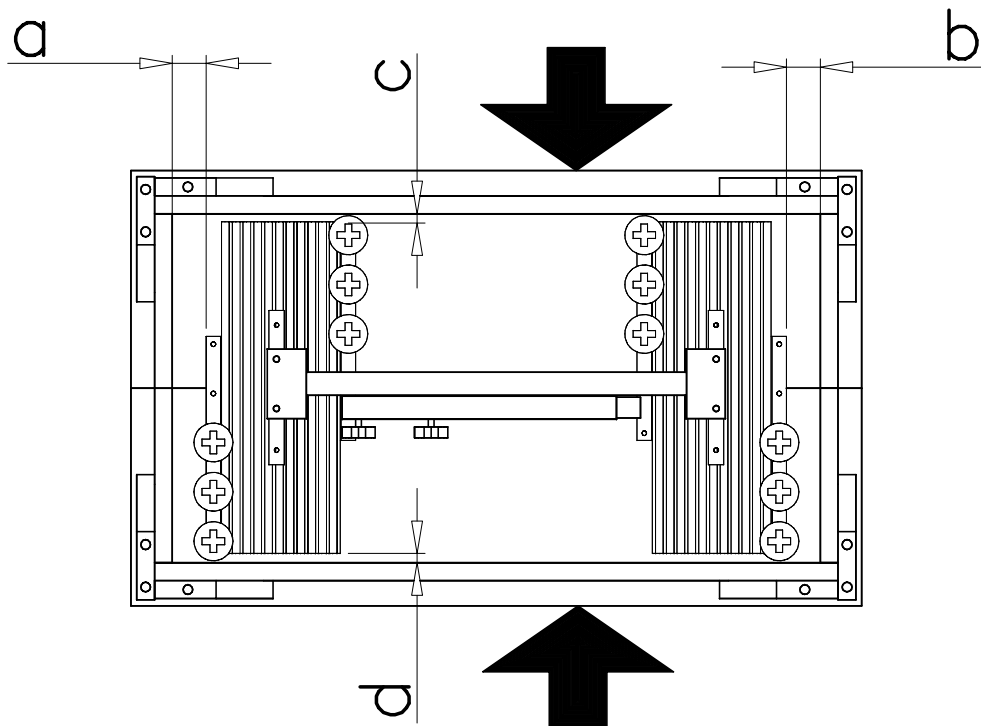
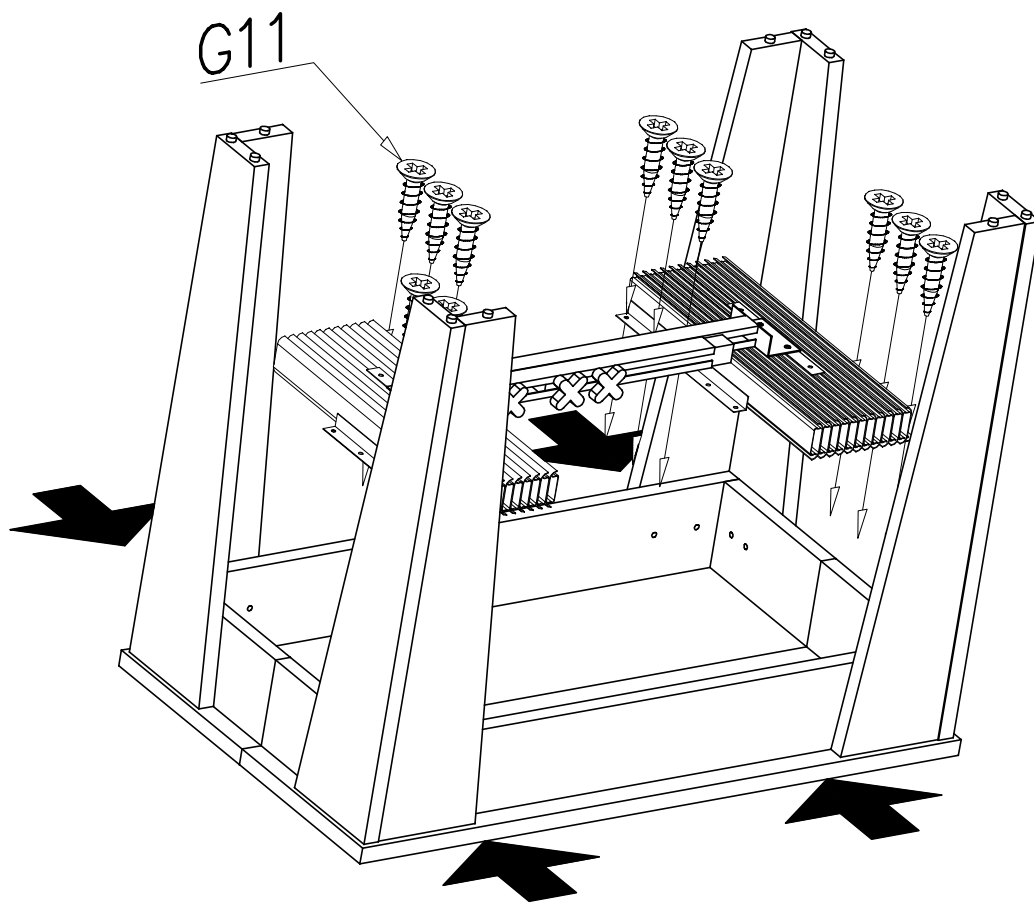


VII





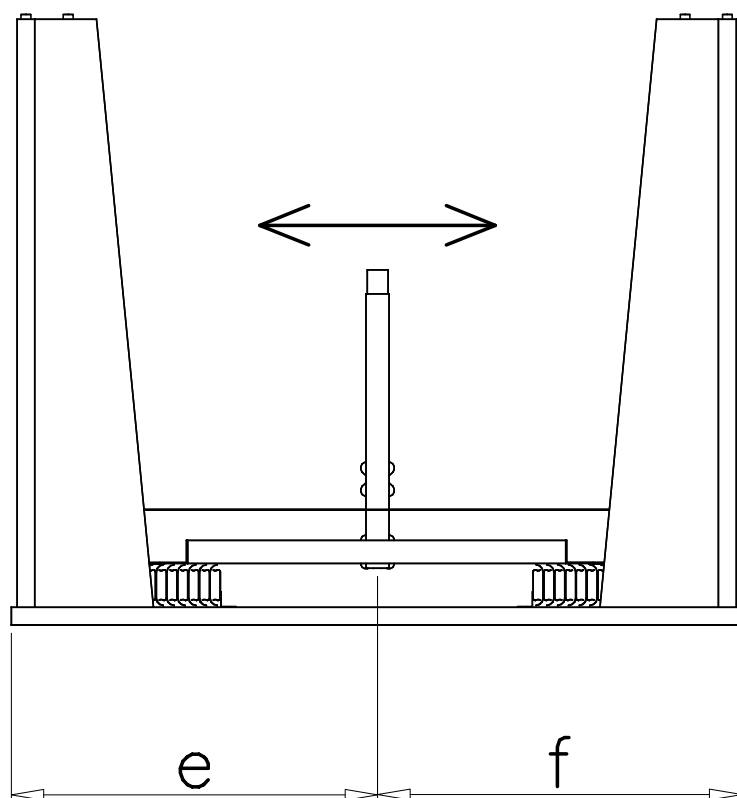
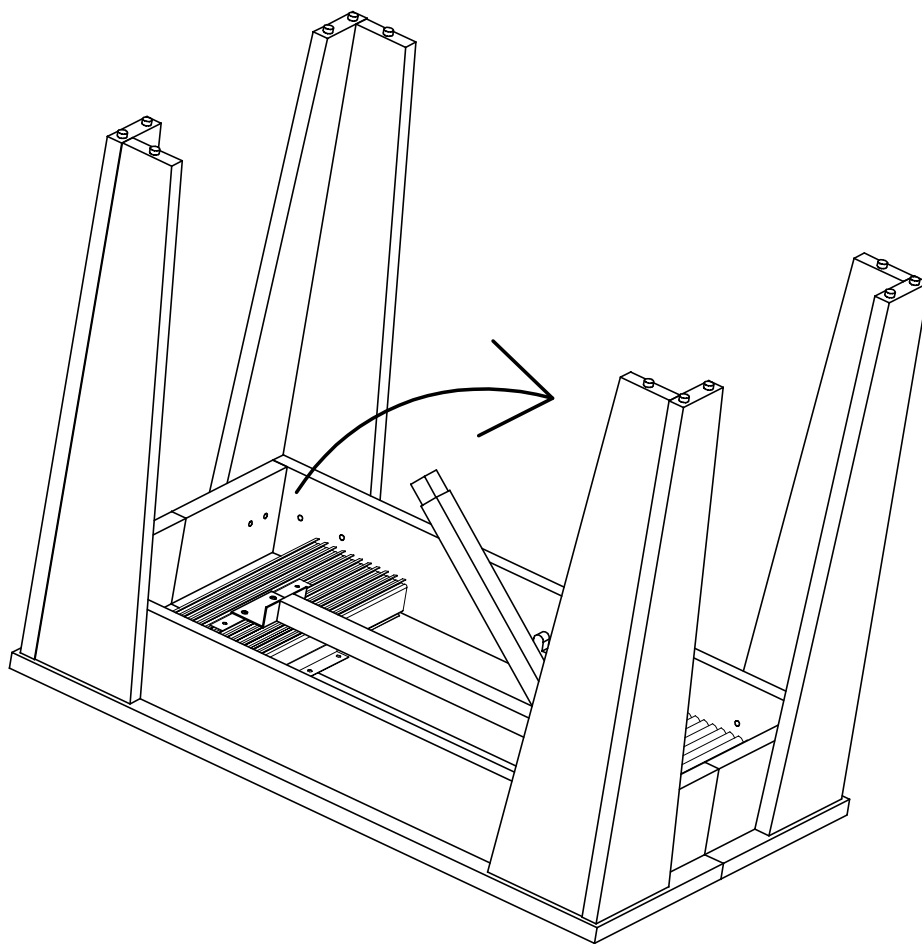
VIII



$$a = b$$
$$c = d$$



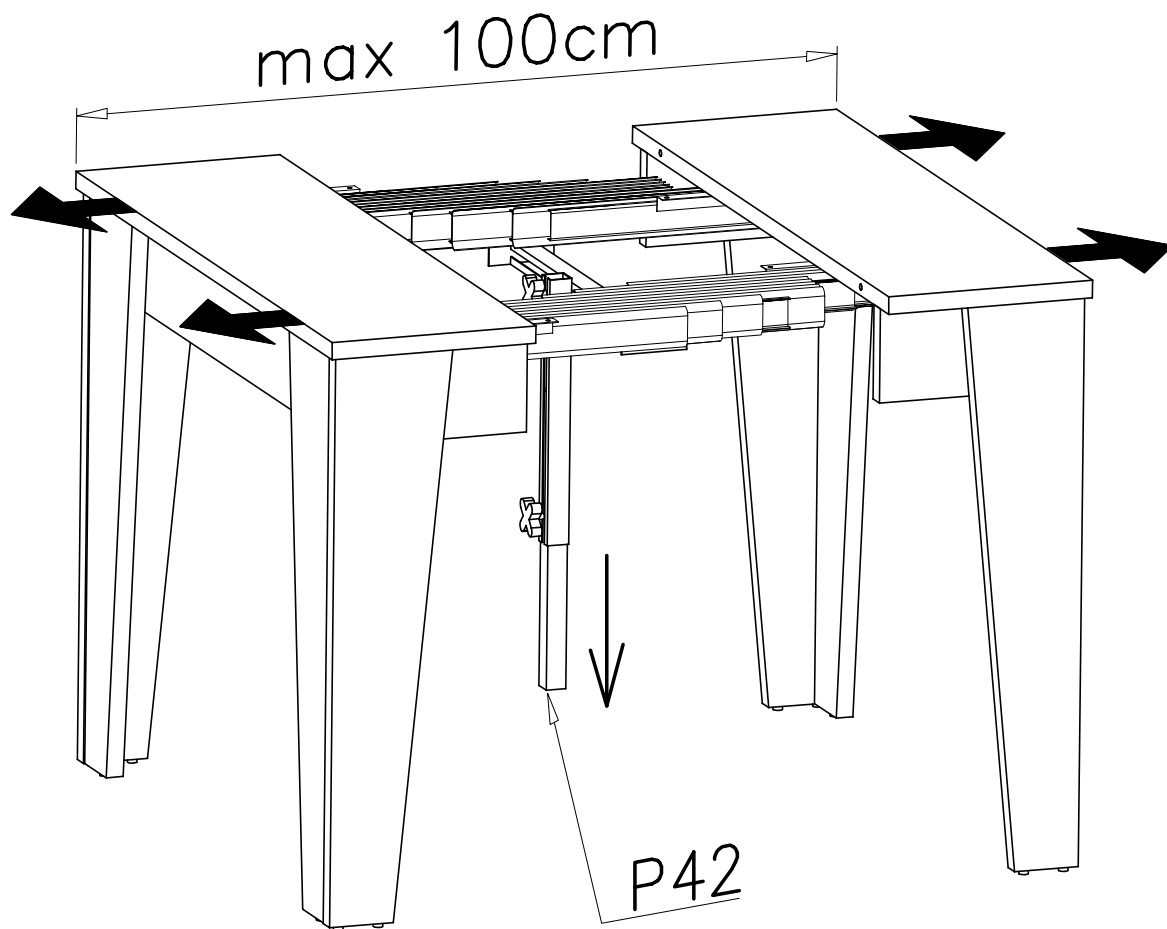
IX



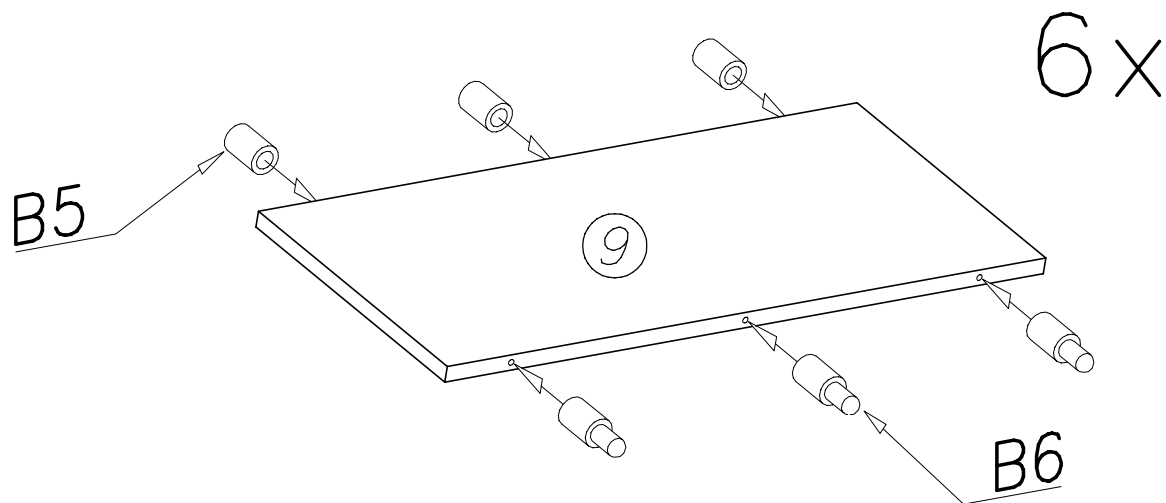
$$e = f$$

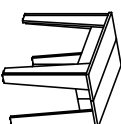


X



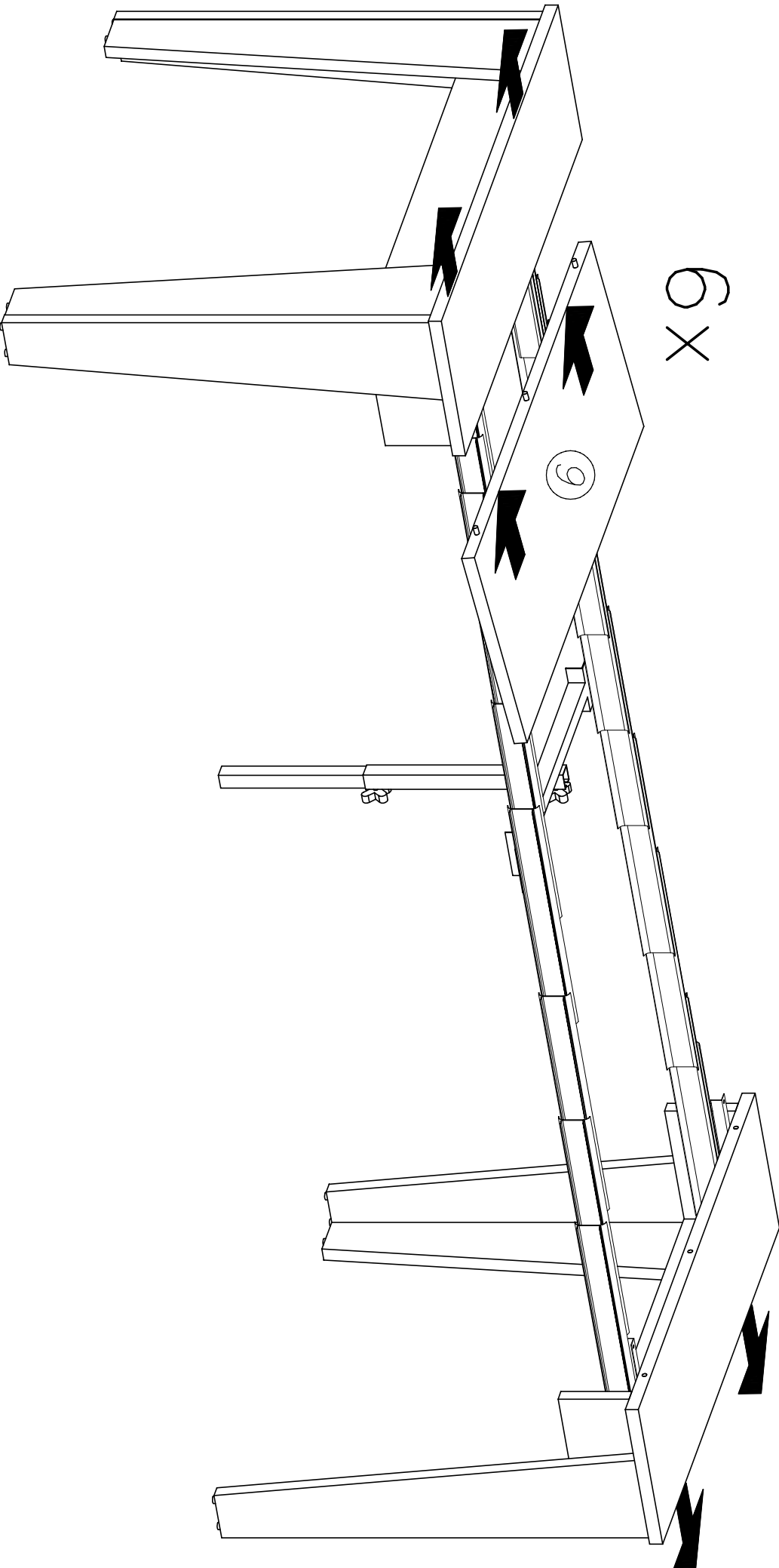
XI





XIII

6x





XIII

