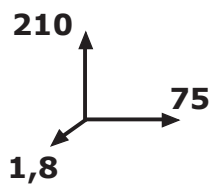
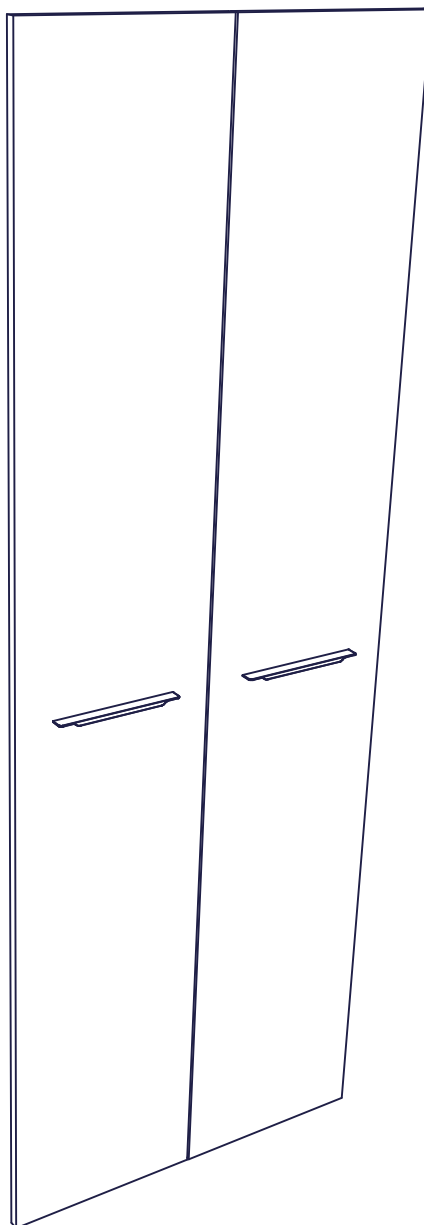
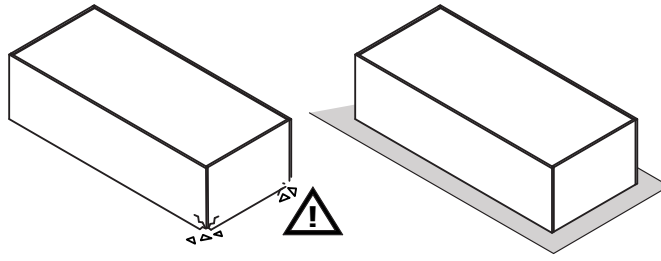
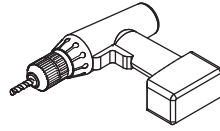
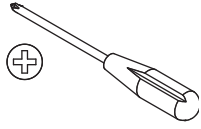
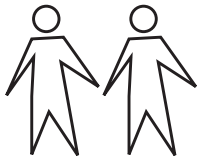


# AN4805K30404



QF3547

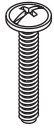


**BU2942**

**BU2929**



**H113**  
x10



**V137**  
x4

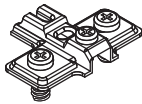


**G31**  
x4

**BU0319** x4



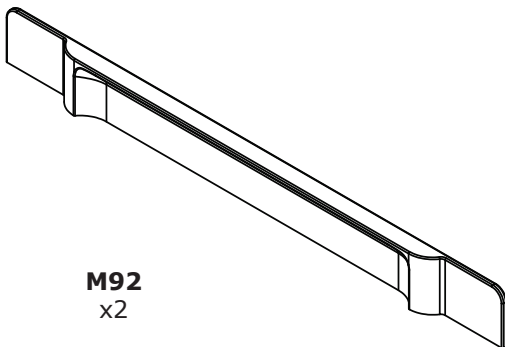
**C39**  
x2



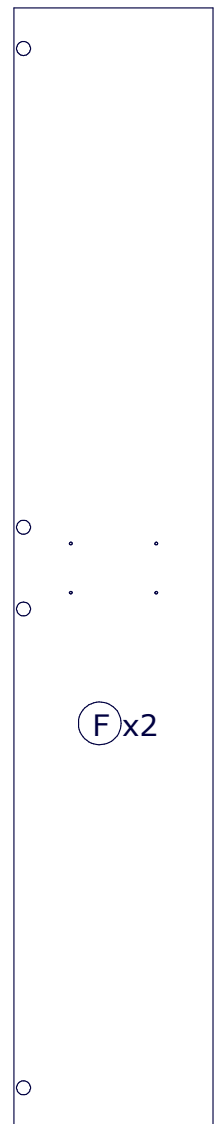
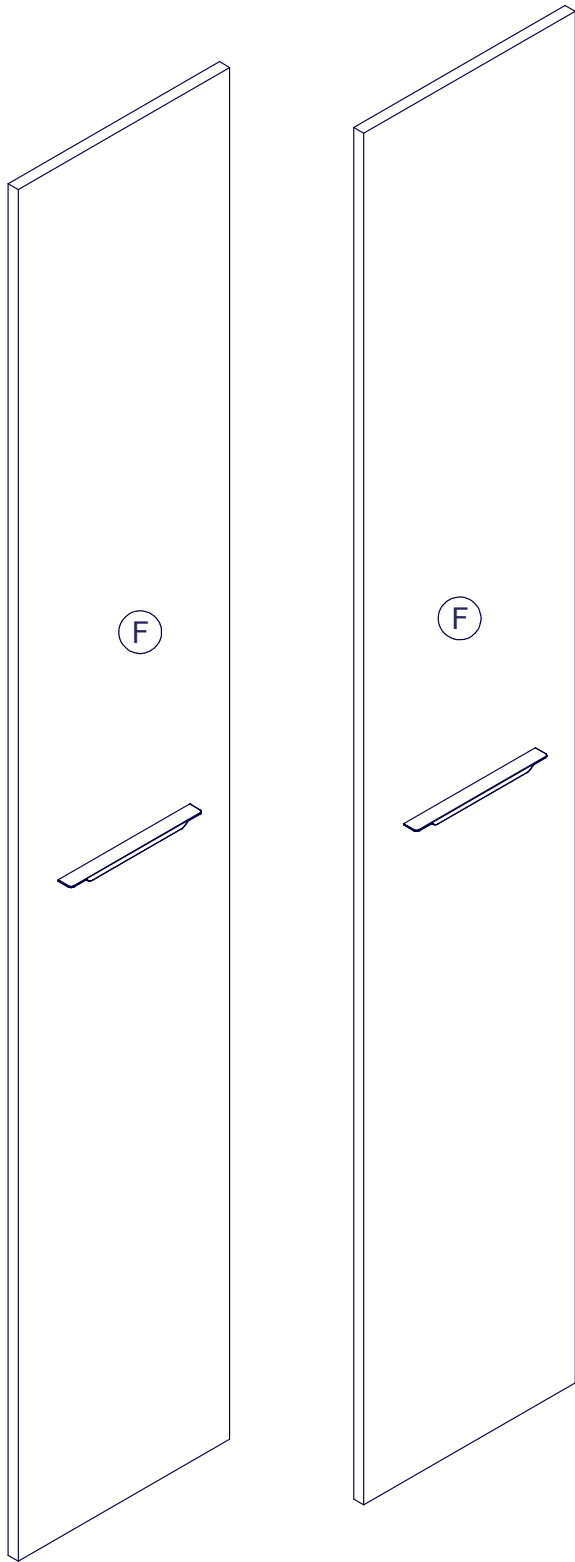
**B9**  
x2



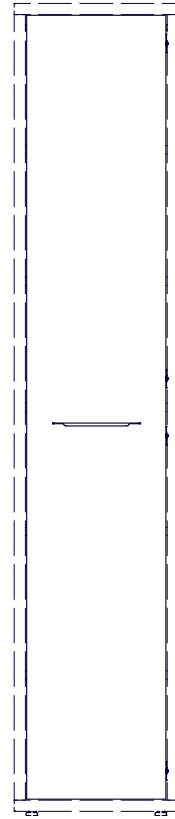
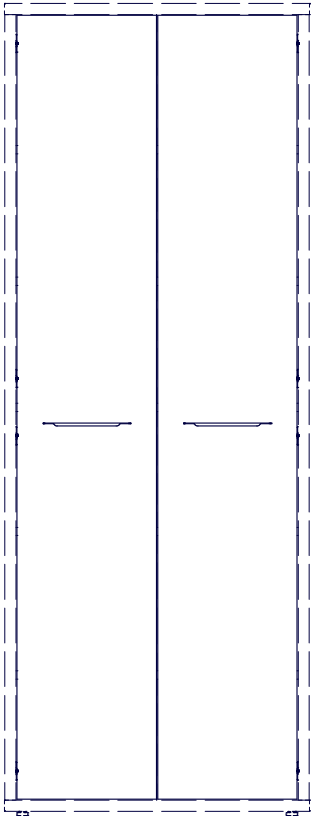
**V5**  
x4



**M92**  
x2

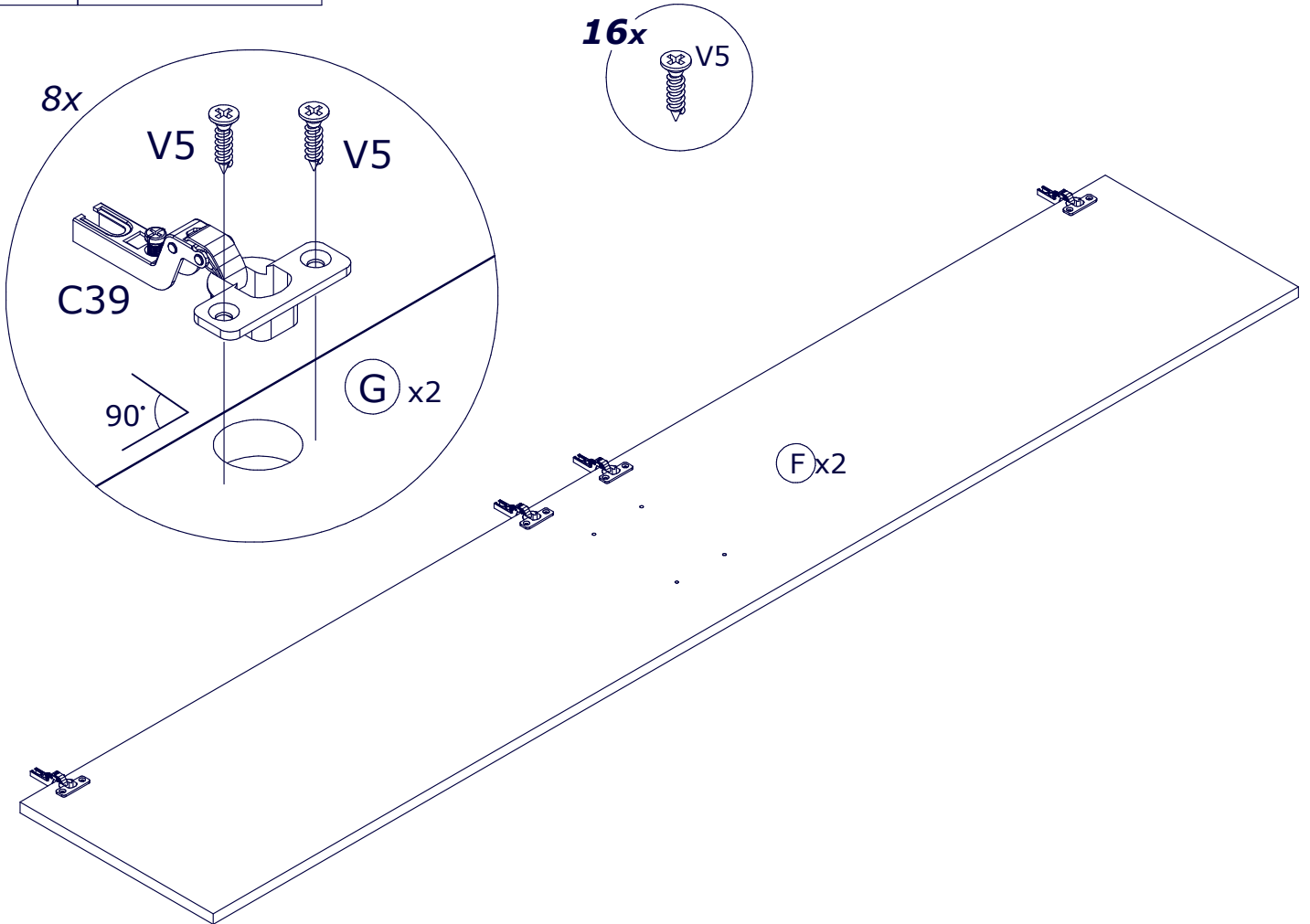
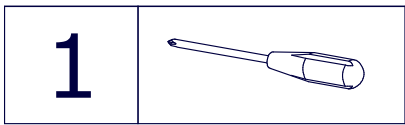


• **AN2051**  
2096x373x18mm



**A**

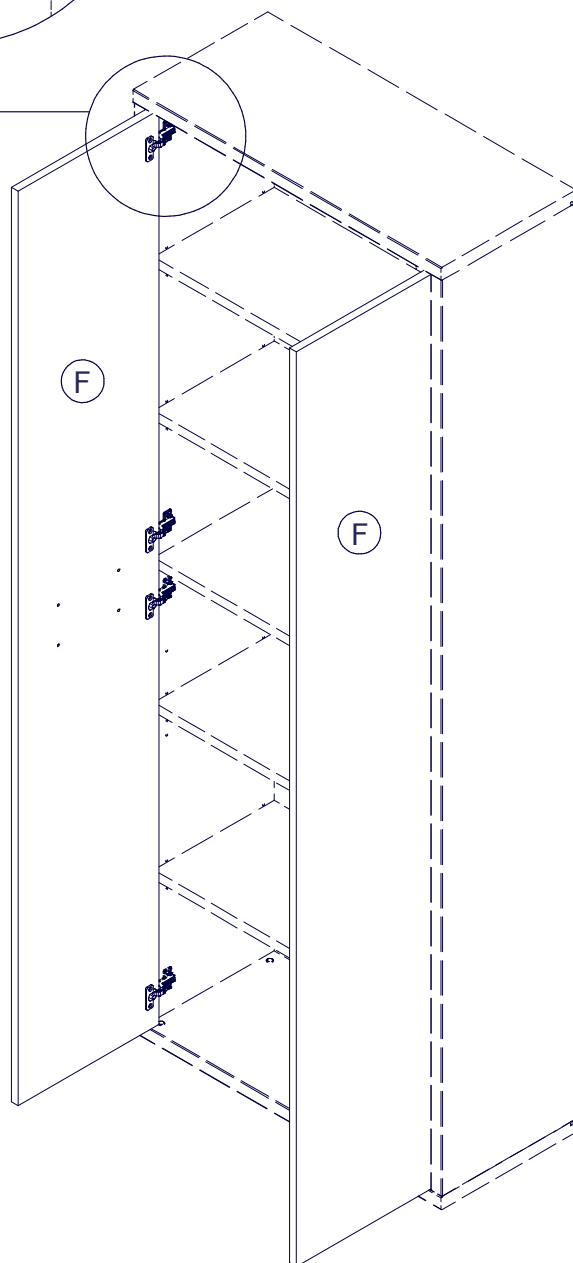
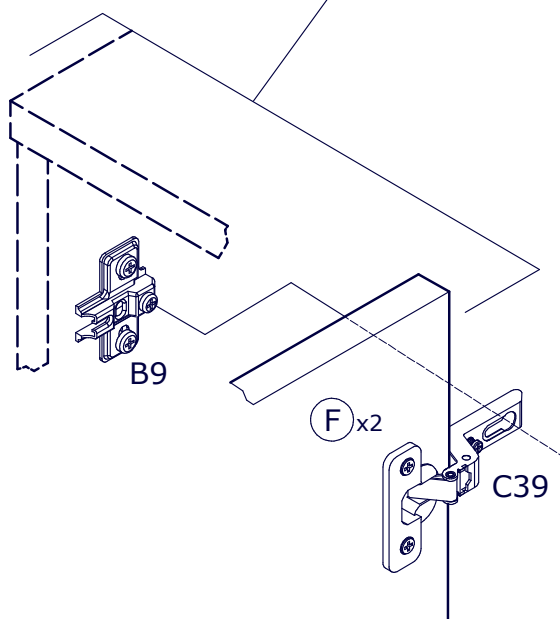
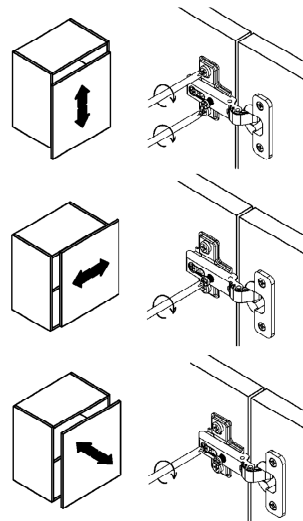
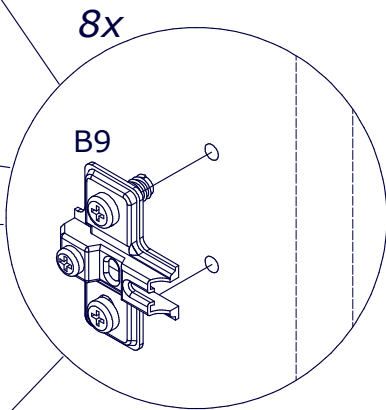
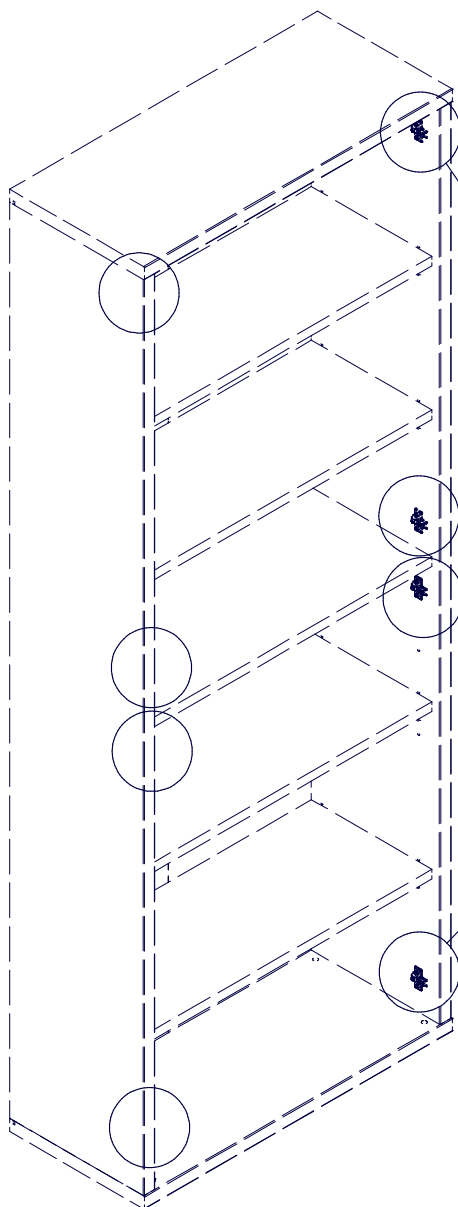
**B**



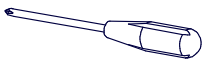
2A



A



3A

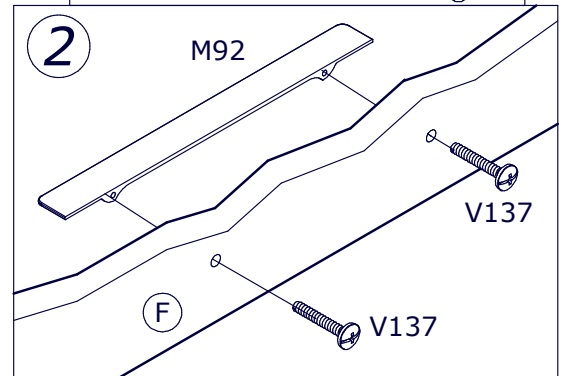
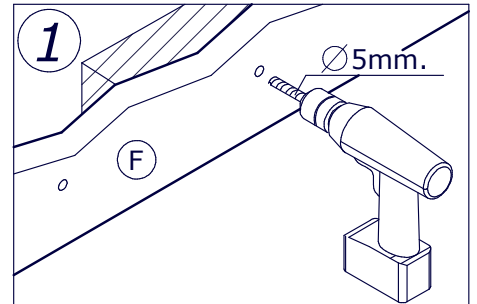
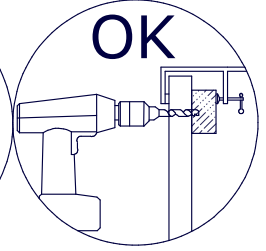
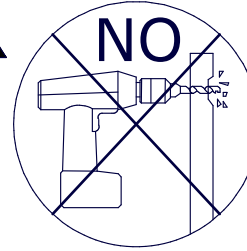
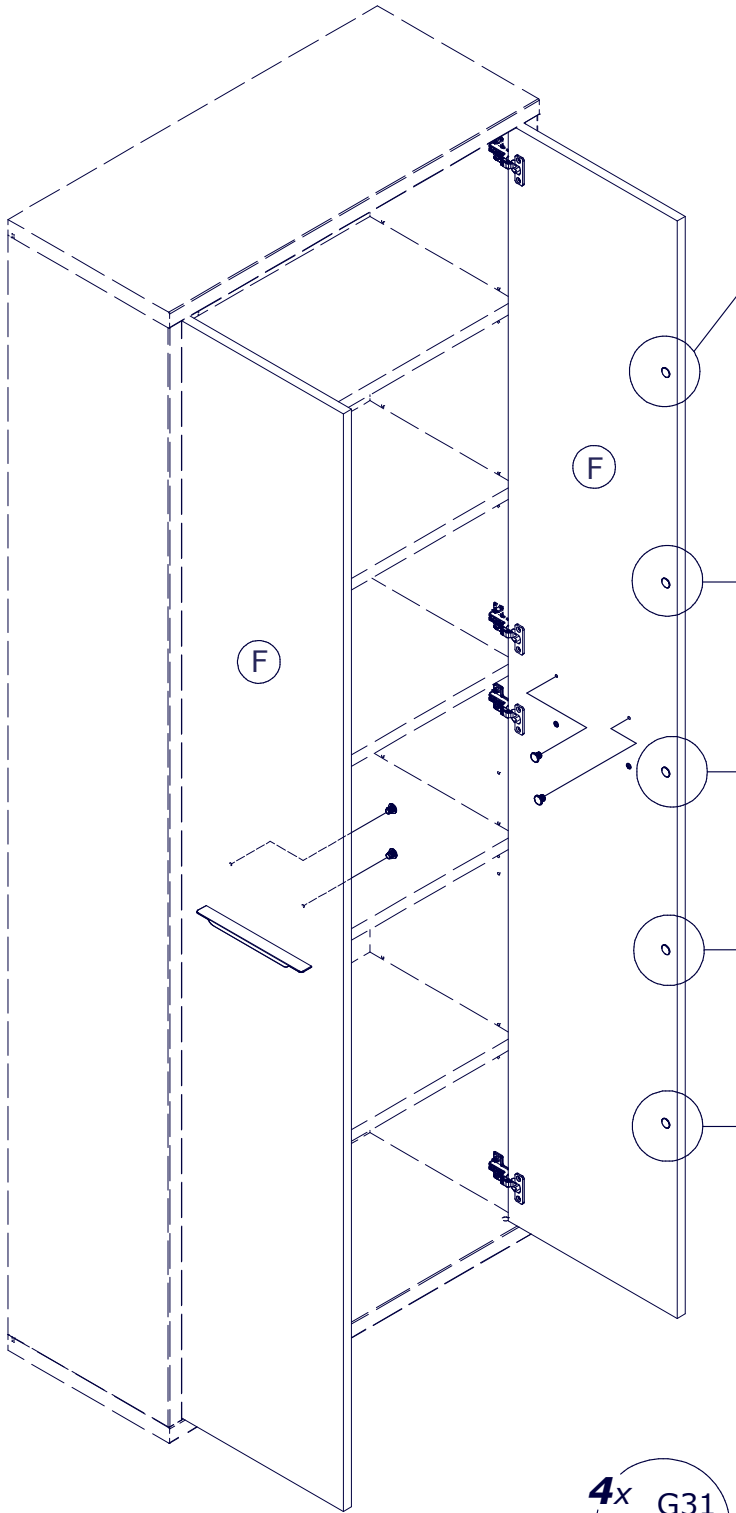


10x

H113

F

A



4x G31

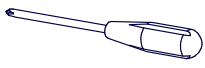


4x

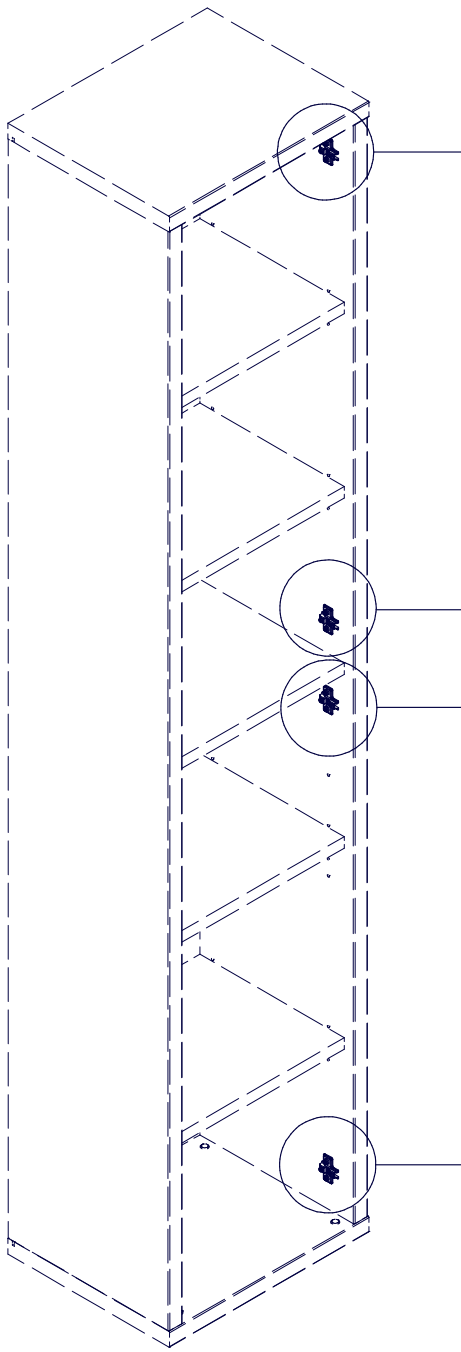
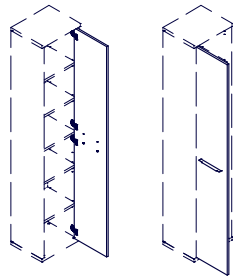
V137



2B

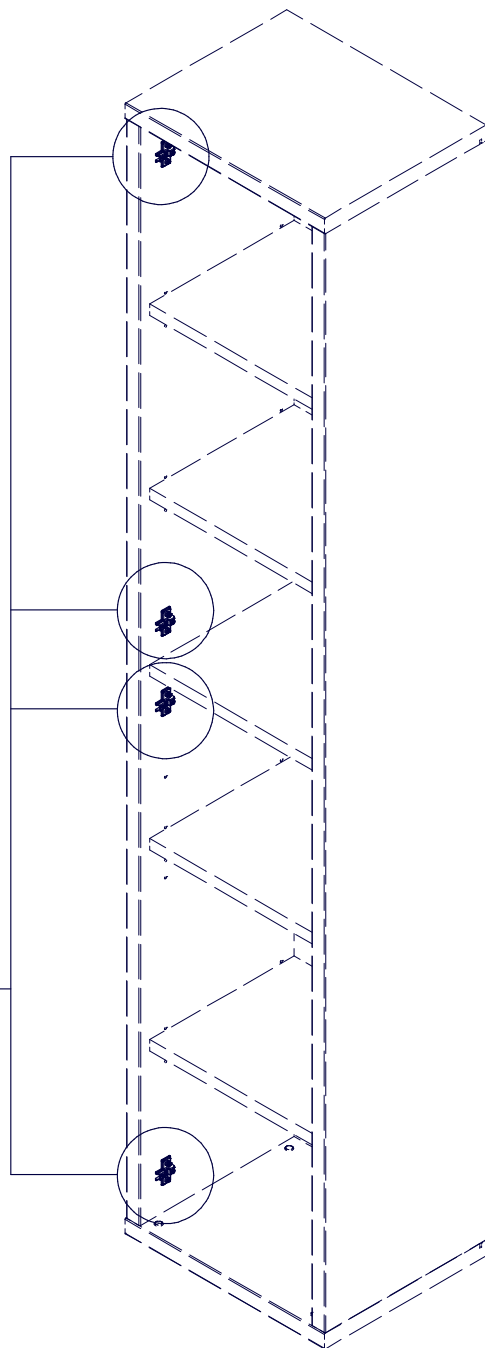
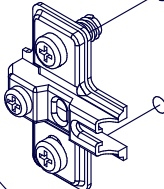


B



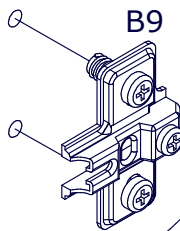
4x

B9

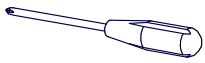


4x

B9

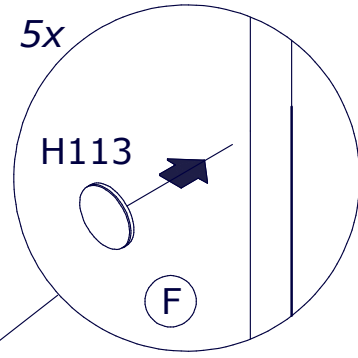


3B



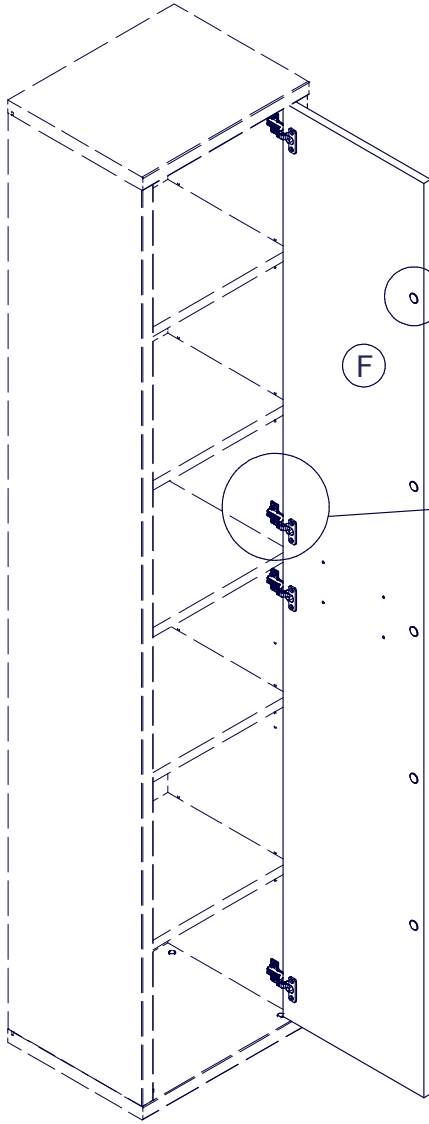
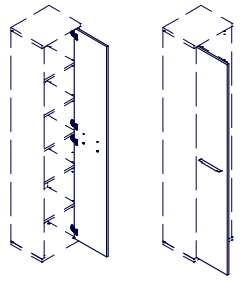
5x

H113

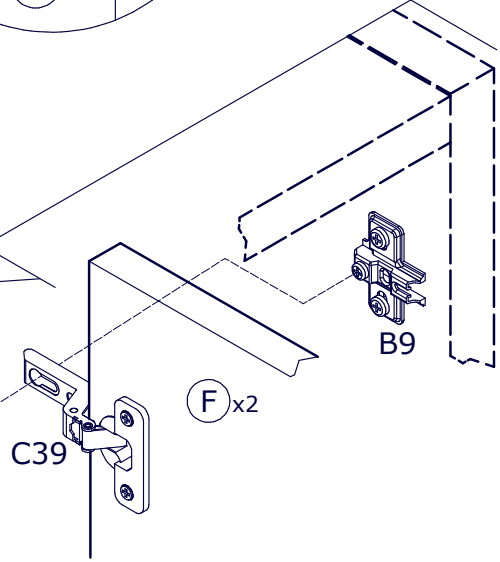
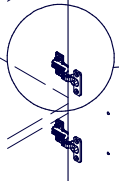


F

B



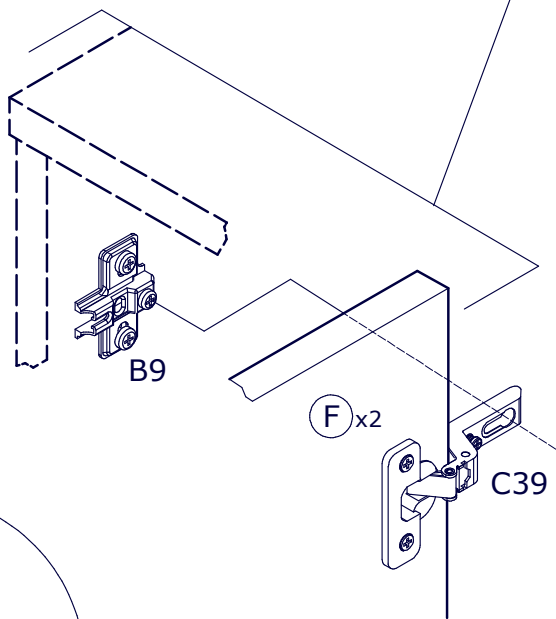
F



B9

F x2

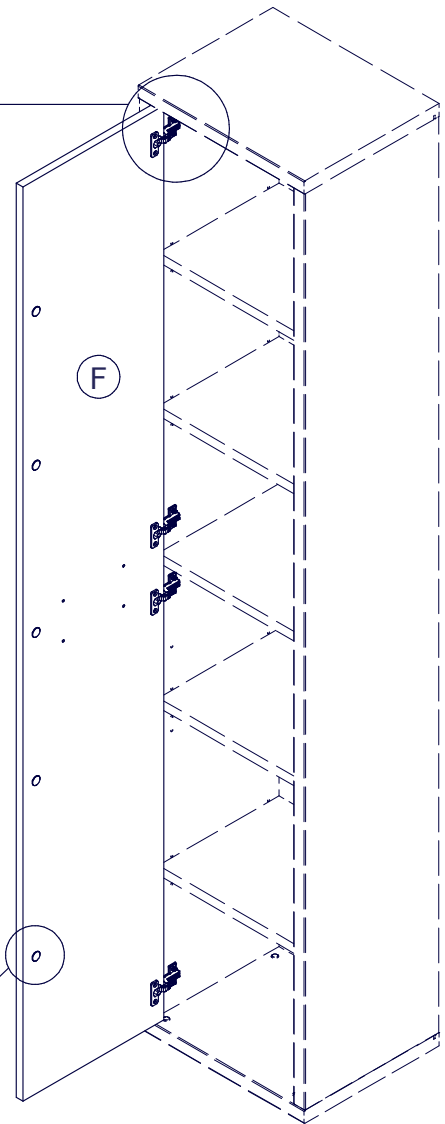
C39



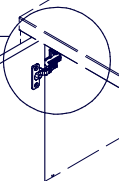
B9

F x2

C39

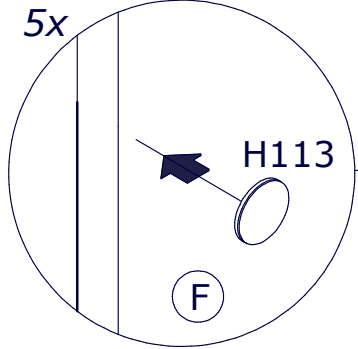


F



5x

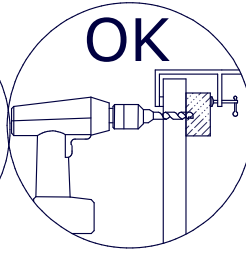
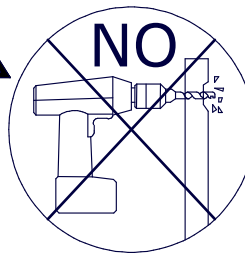
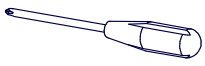
H113



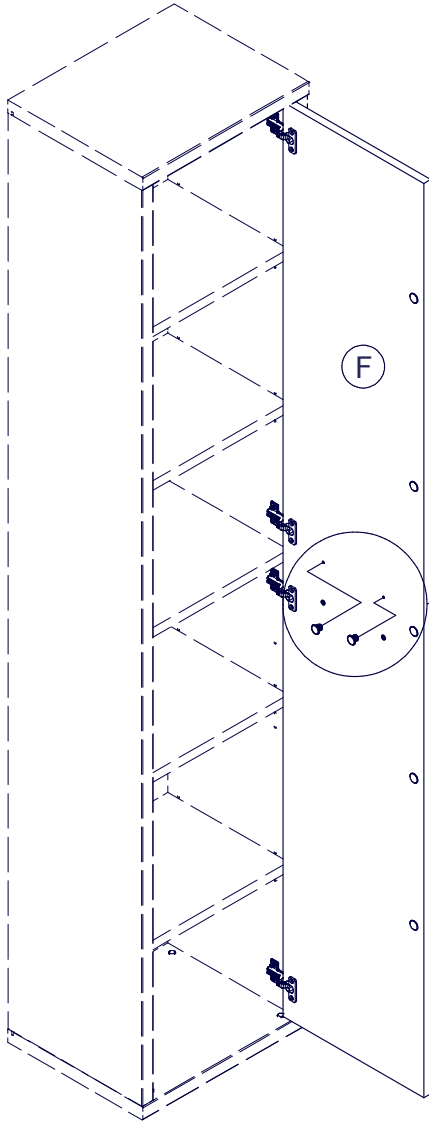
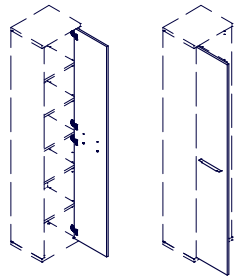
F



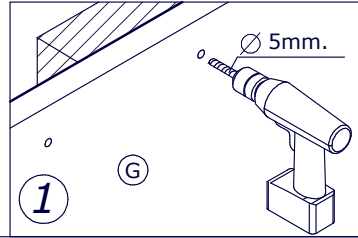
4B



B

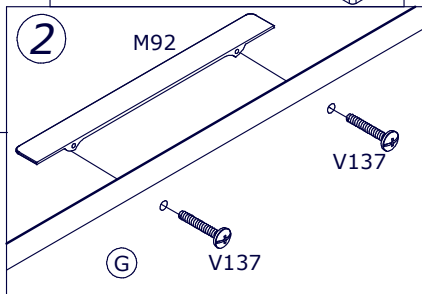


F



1

G



2

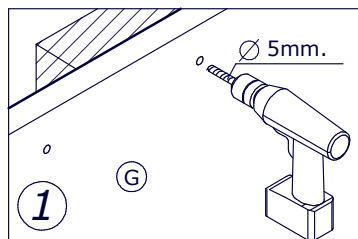
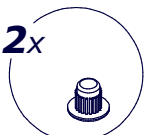
G

2x



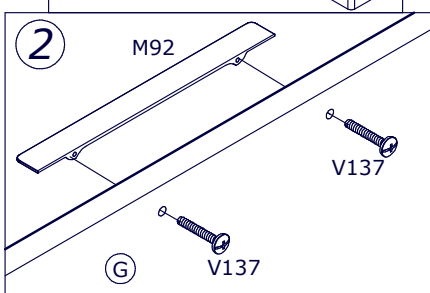
V137

2x



1

G

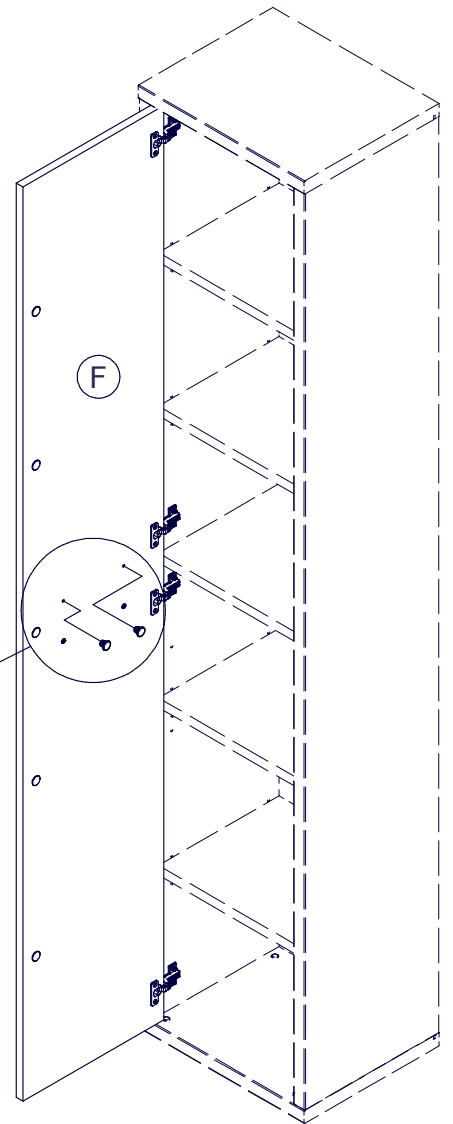


2

G

V137

V137



F