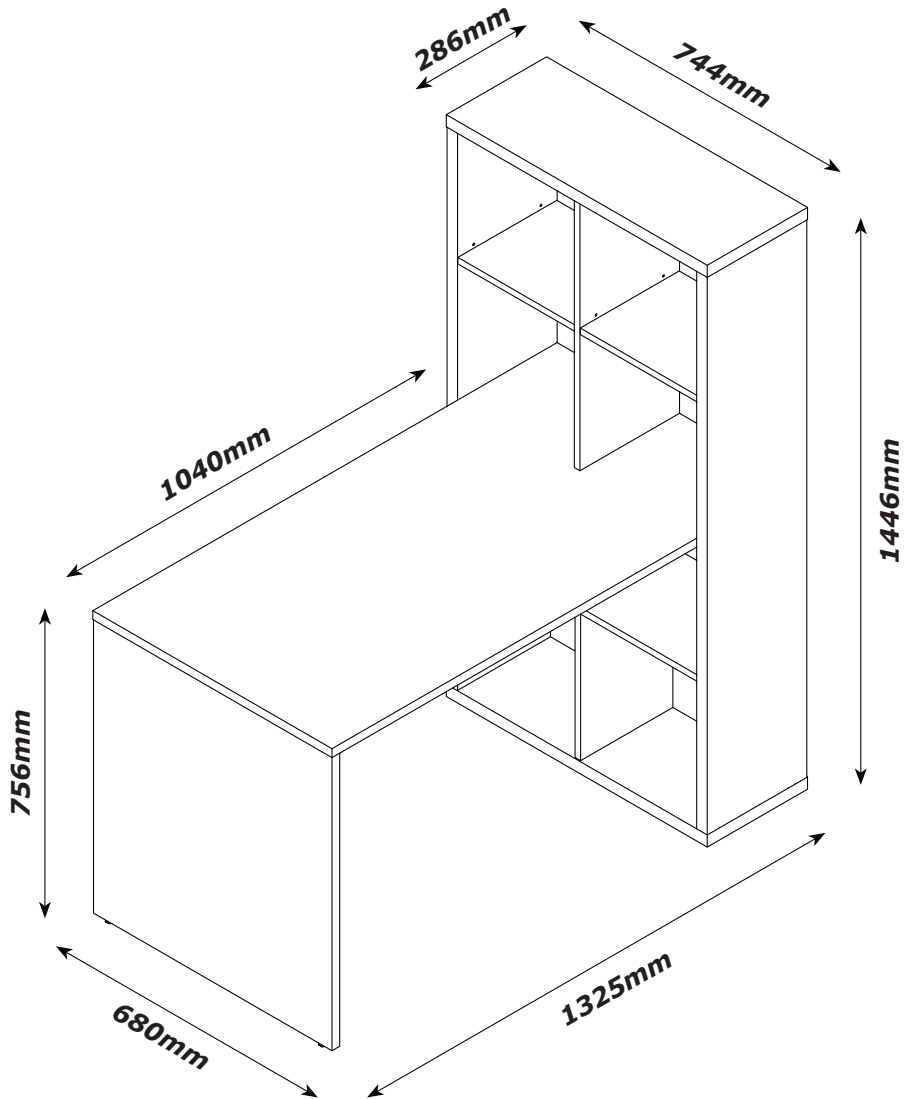


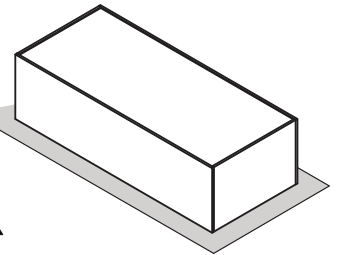
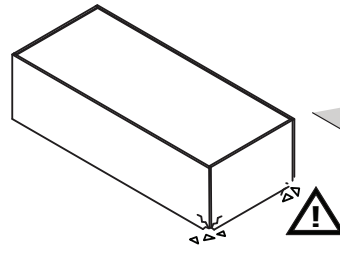
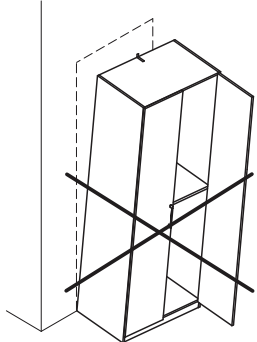
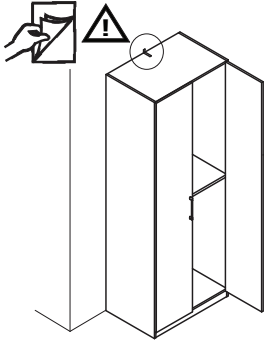
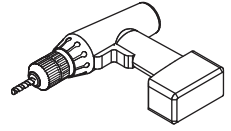
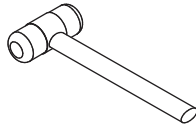
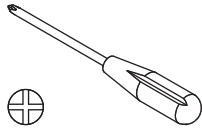
SR0758K79504



QF5954



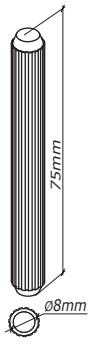
1,5h



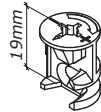
BU5079



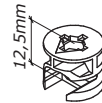
H325
x27



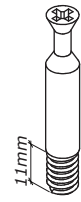
H270
x4



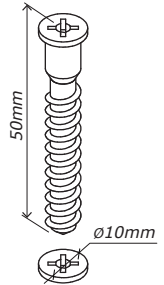
T97
x4



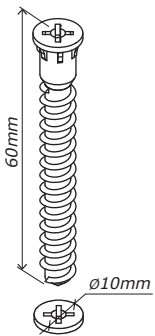
T7
x9



T28
x13



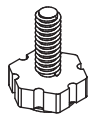
V45
x2



V57
x6



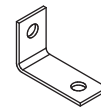
T94
x6



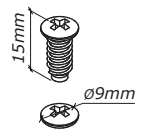
P39
x6



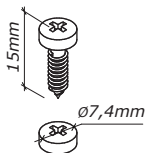
R40
x8



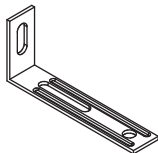
H141
x5



V10
x10



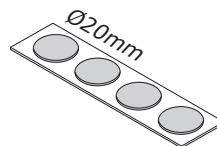
V81
x2



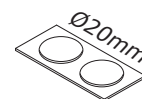
H185
x1



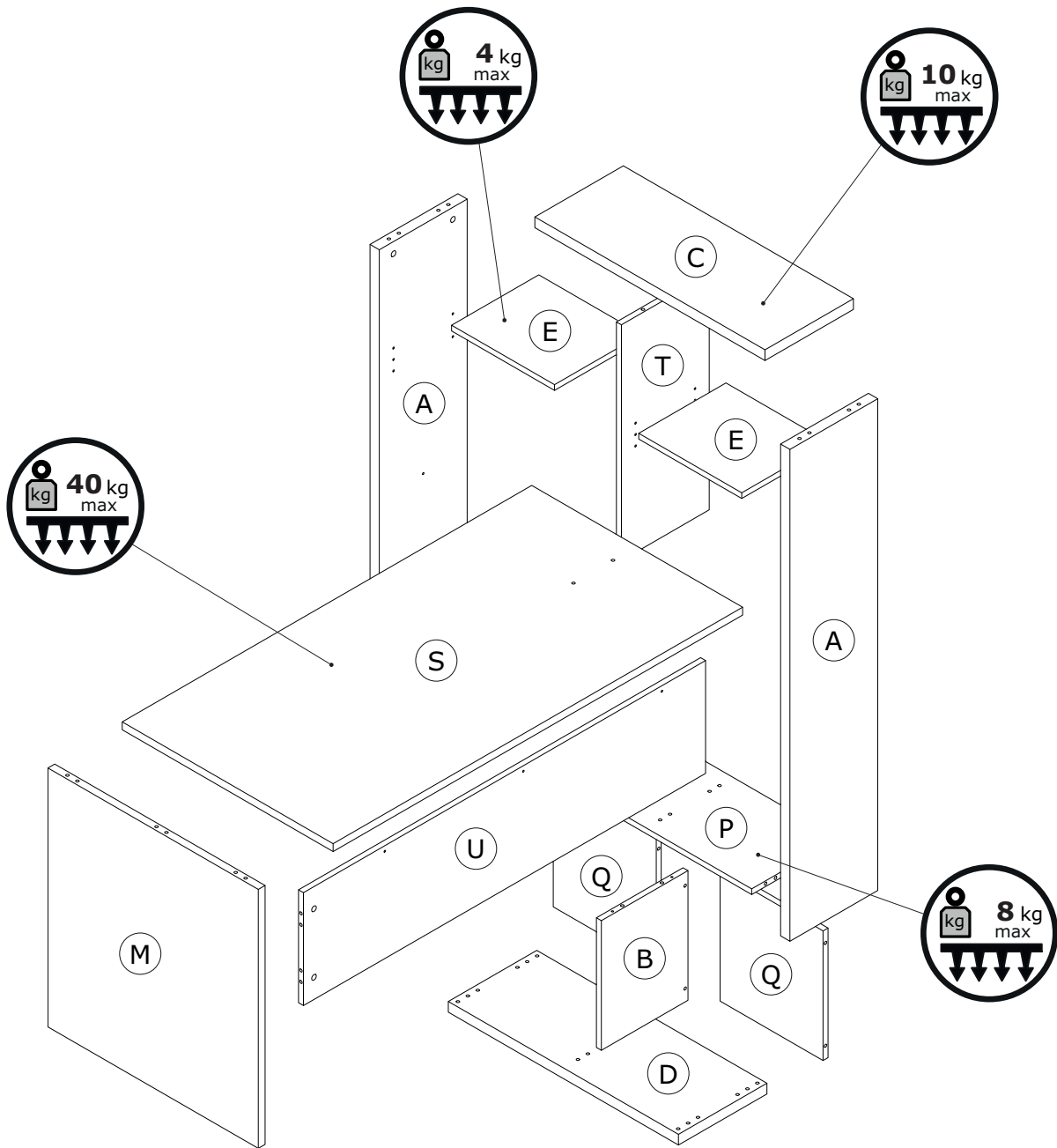
H129
x2

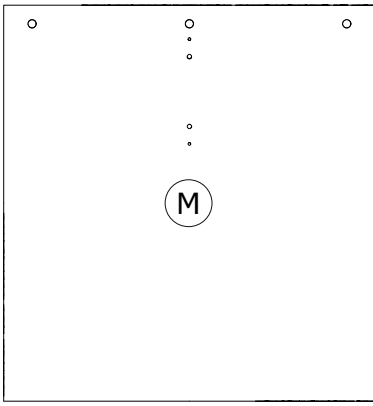


G196
x10

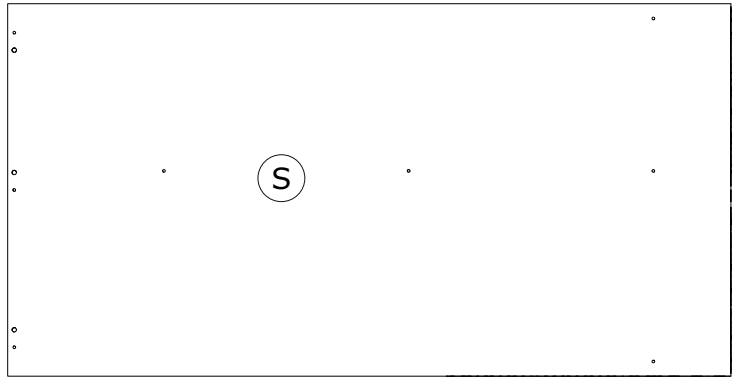


G150
x2

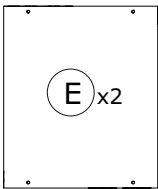




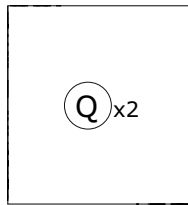
FI9194
725x680x22mm



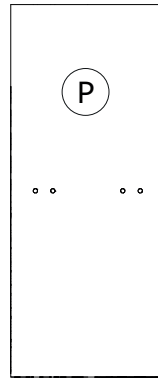
CA3854
1324x682x22mm



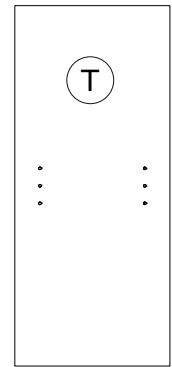
PI7641
333x282x16mm



SH3843
333x363x16mm

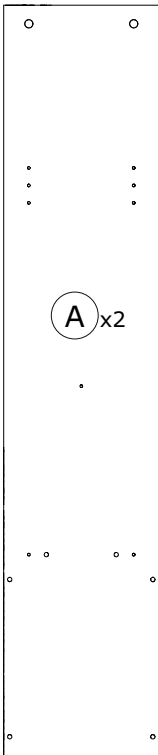


PI7640
682x282x16mm

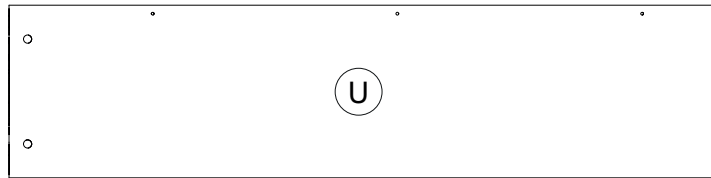


TR2547
660x284x16mm

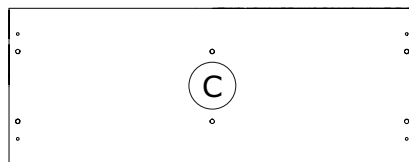
BOX 1/2



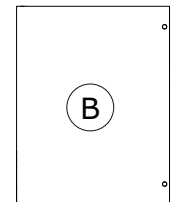
FI9444
1377x284x30mm



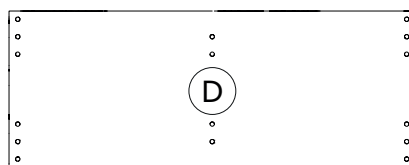
FS4989
1300x316x16mm



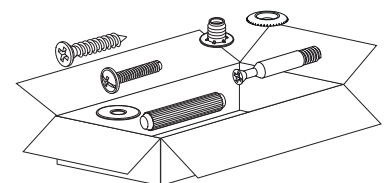
CA3961
744x286x30mm



TR2548
363x280x16mm

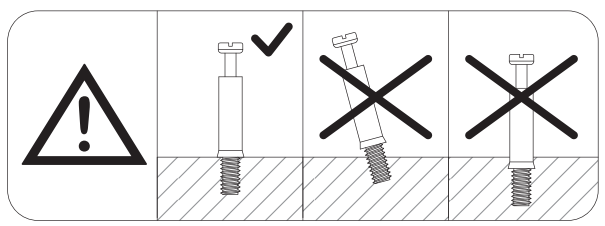
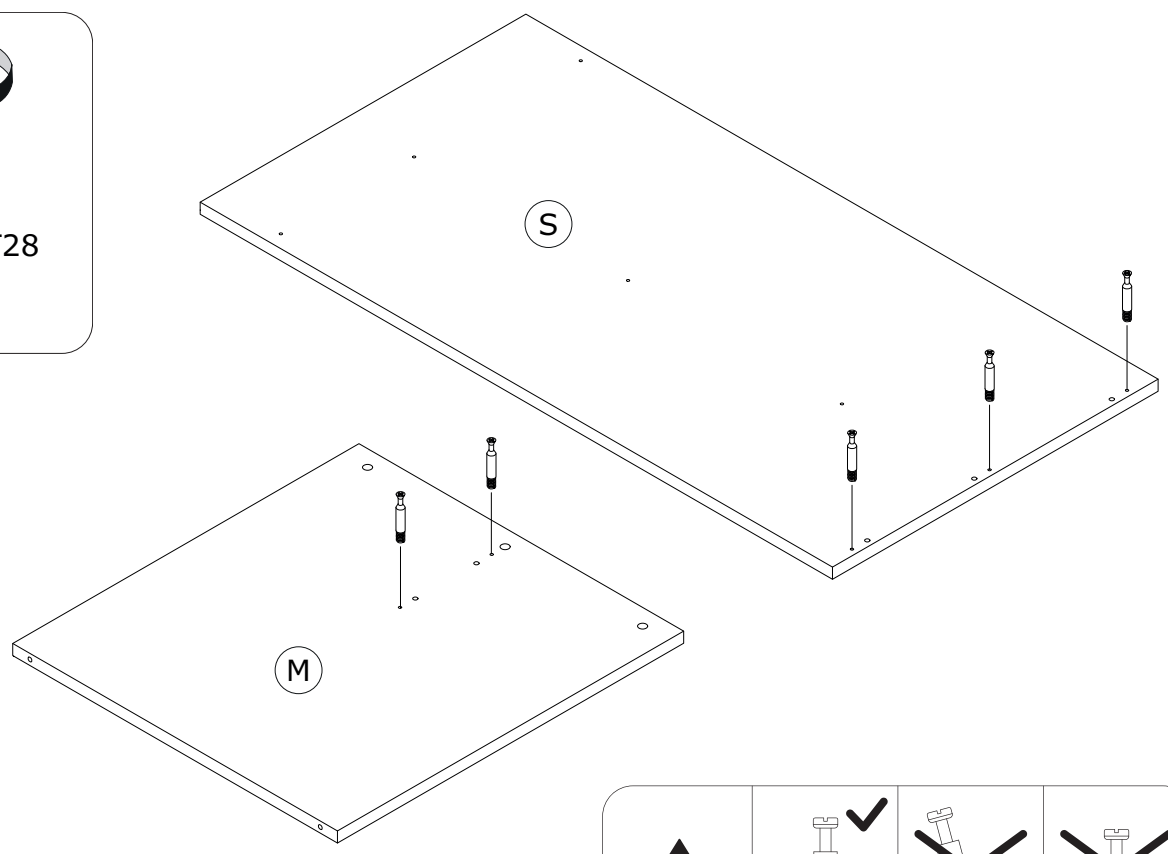
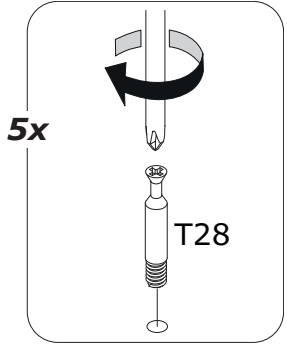
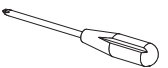


BA2425
744x286x30mm

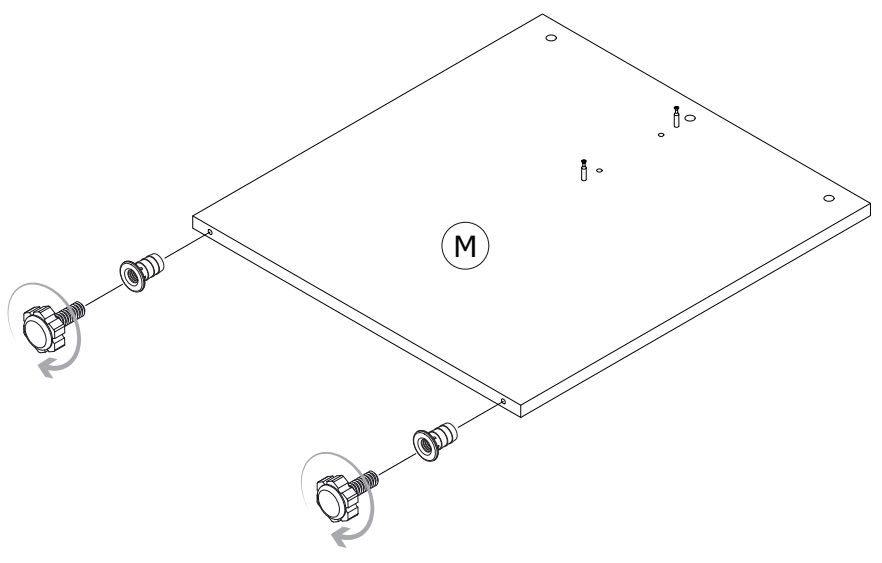
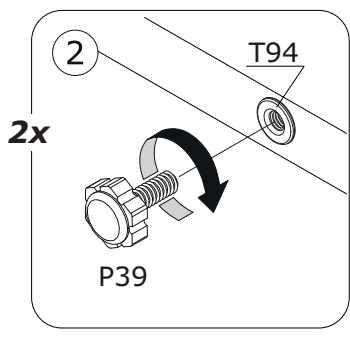
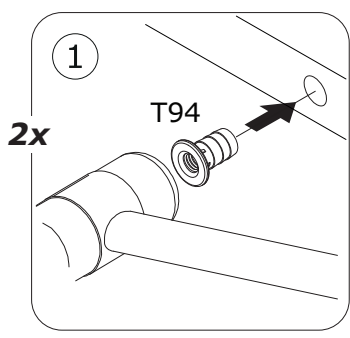
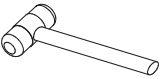


BOX 2/2

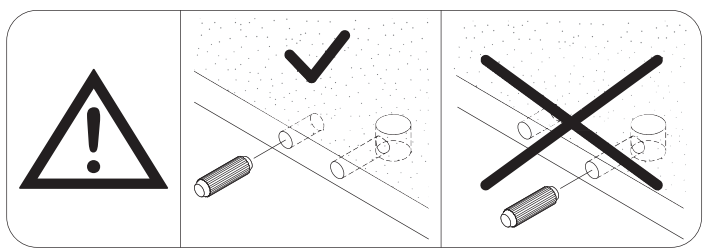
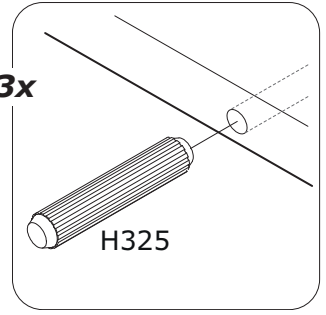
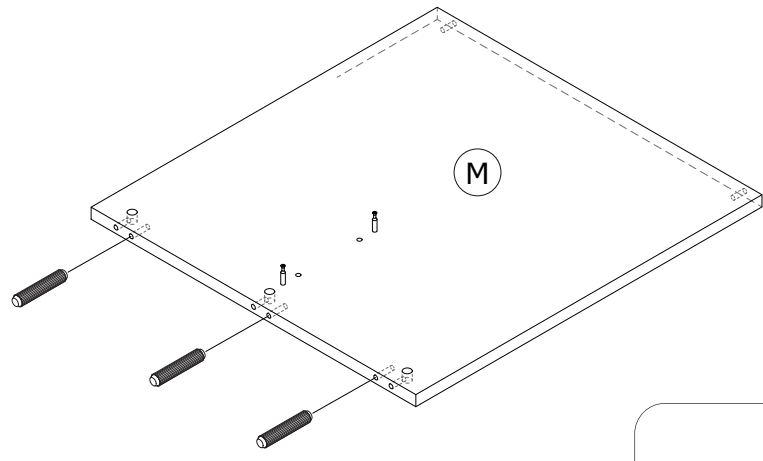
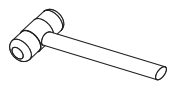
1



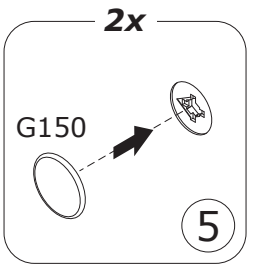
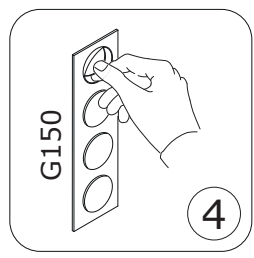
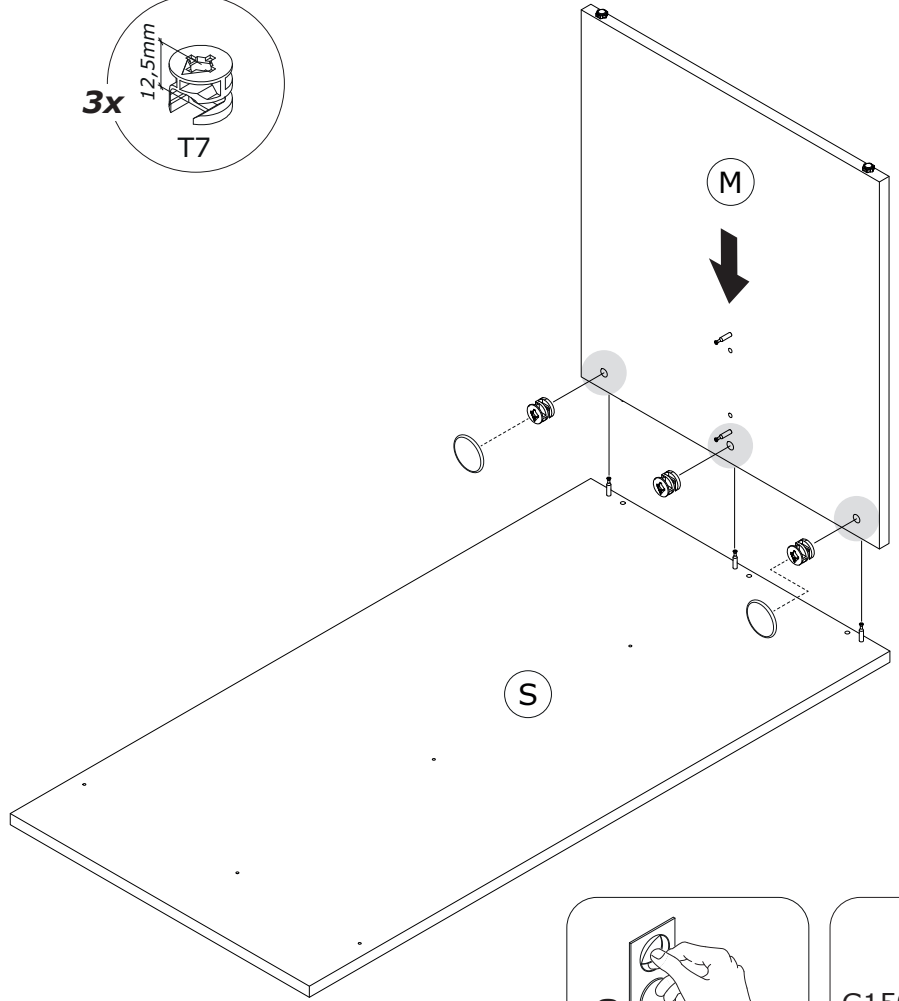
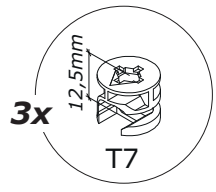
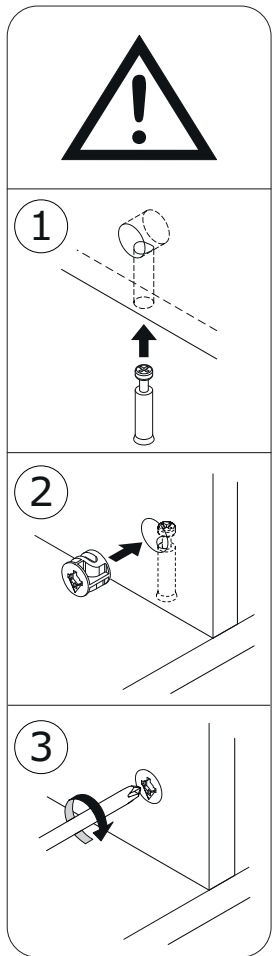
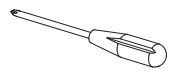
2



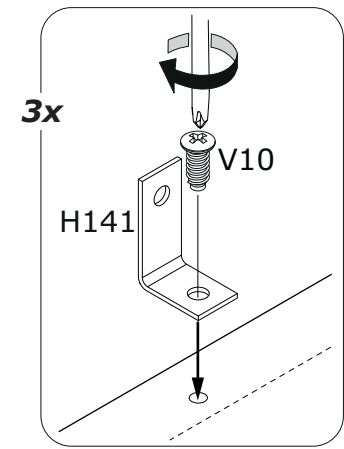
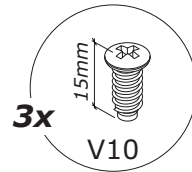
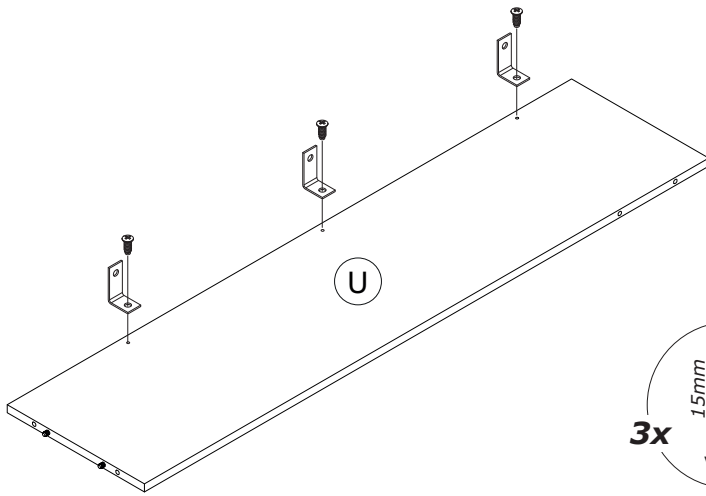
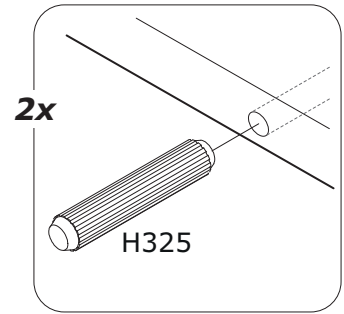
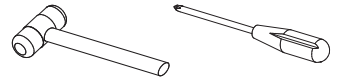
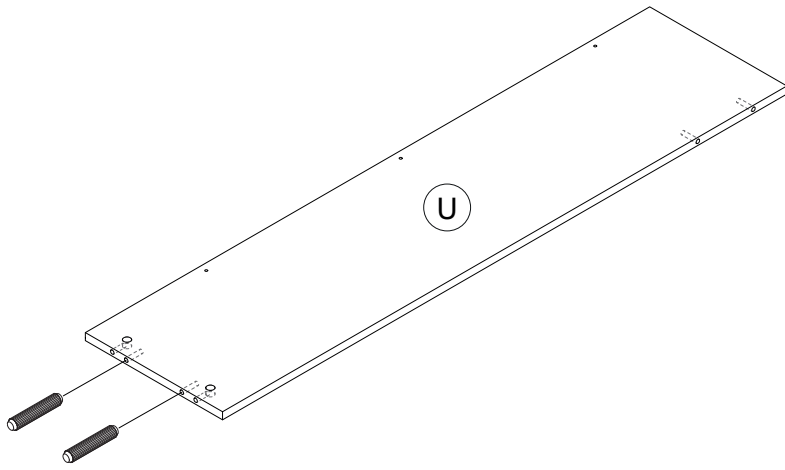
3



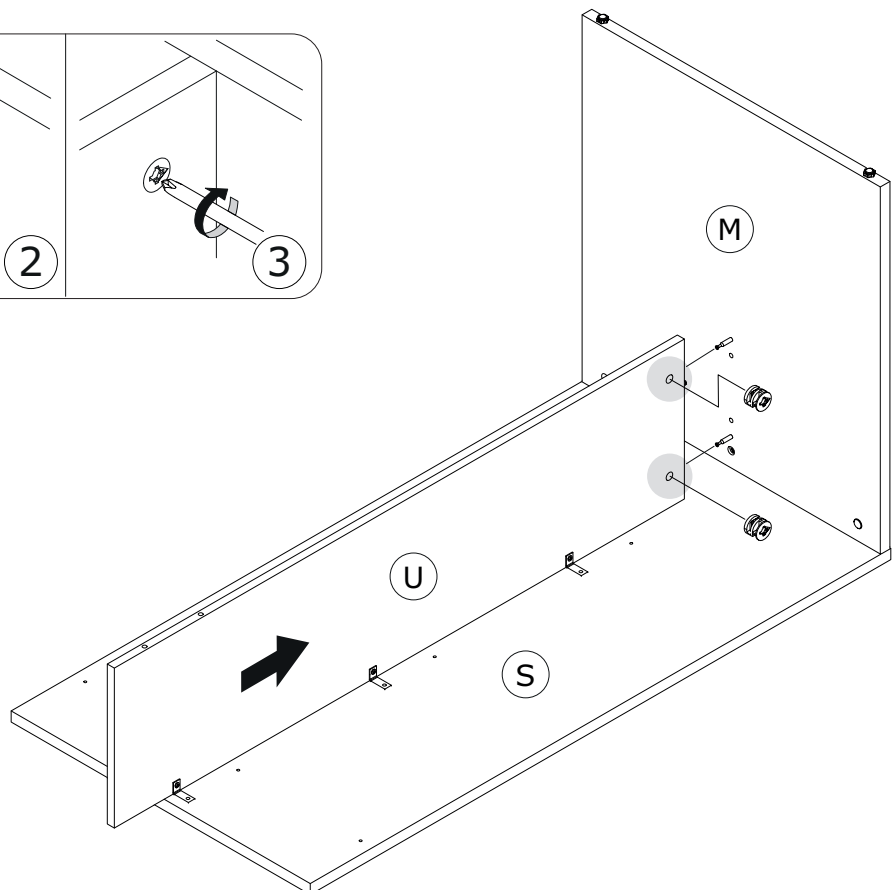
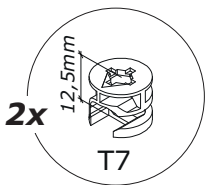
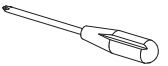
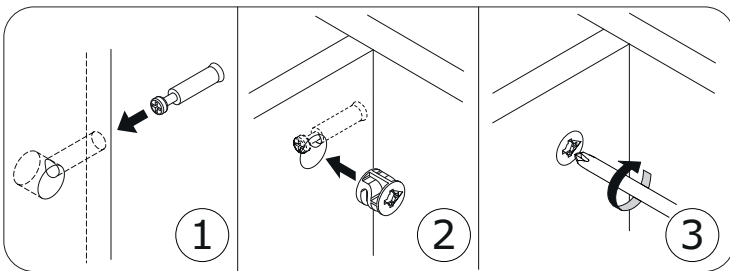
4



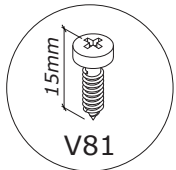
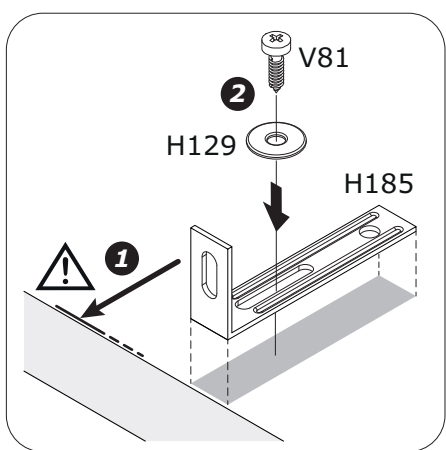
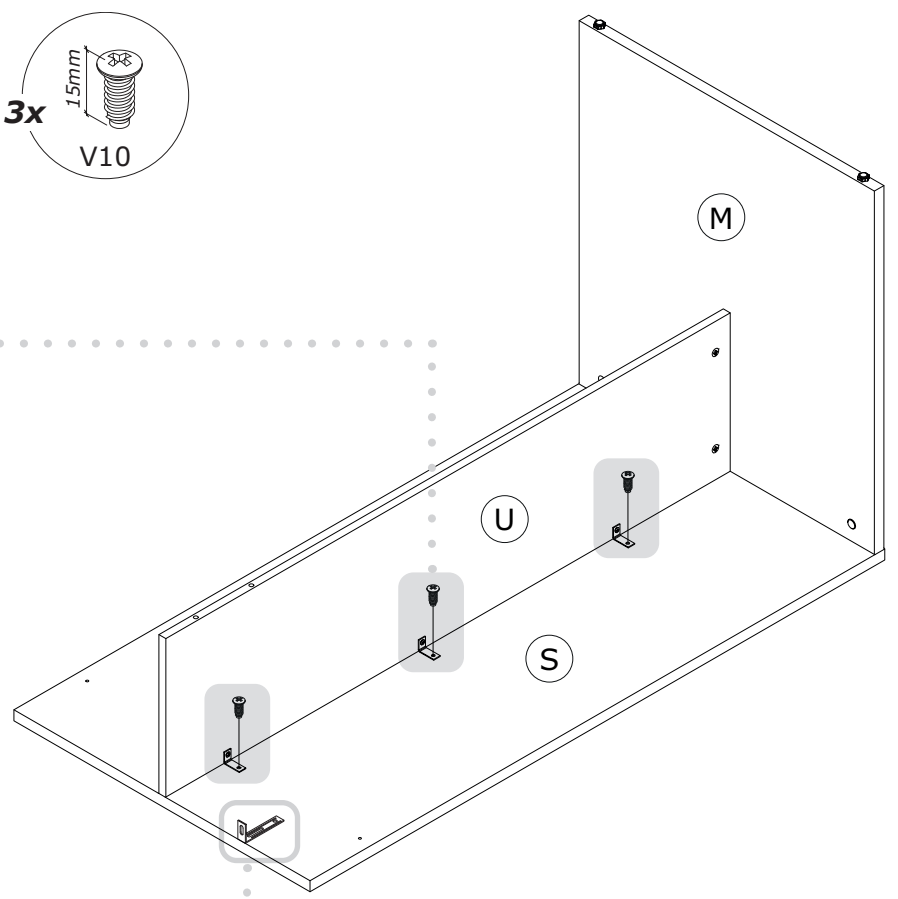
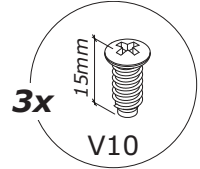
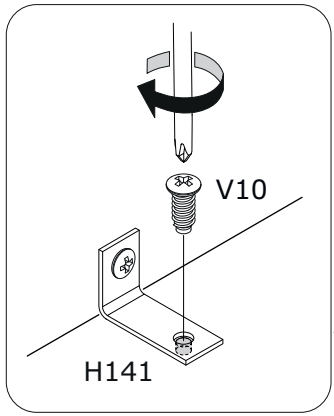
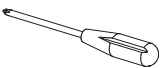
5



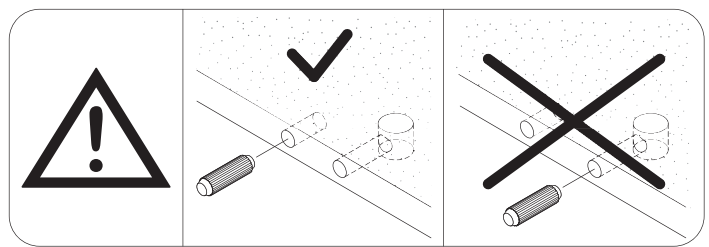
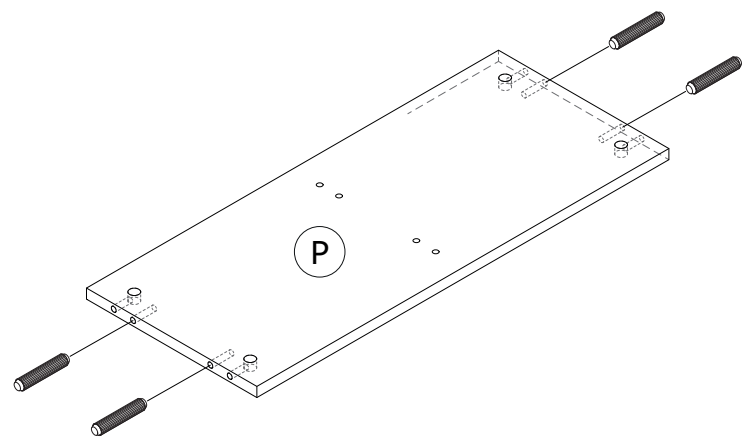
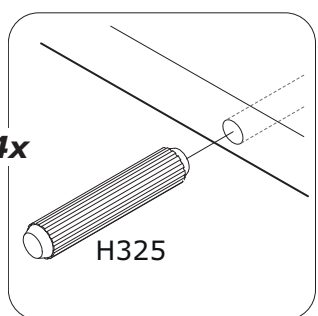
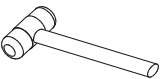
6



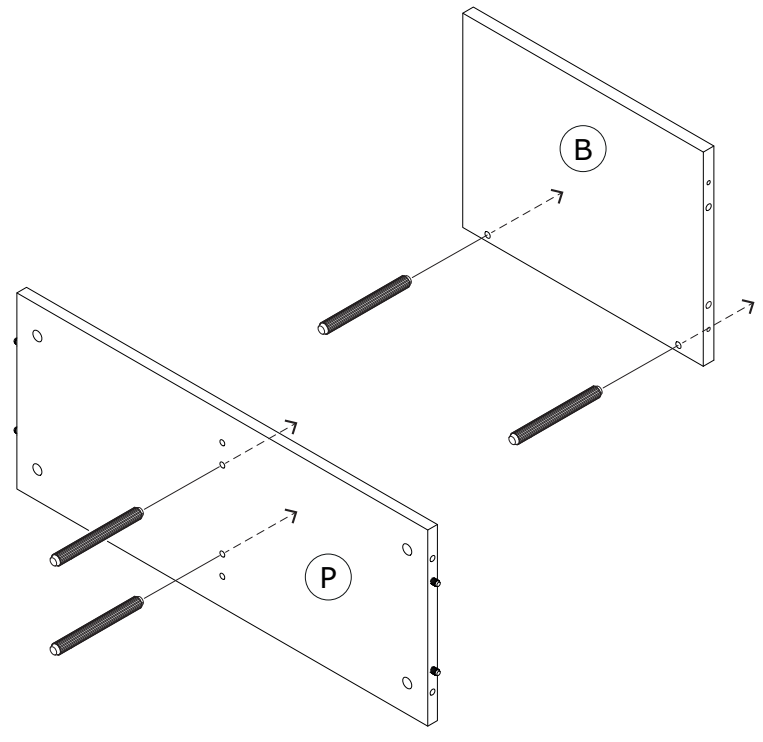
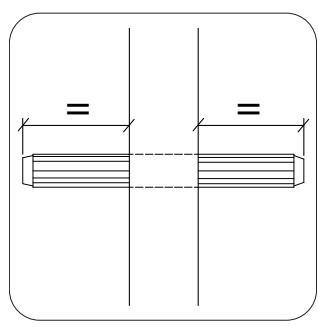
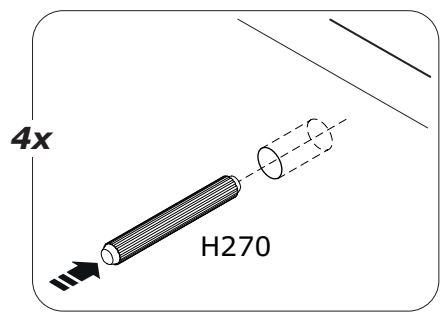
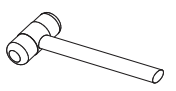
7



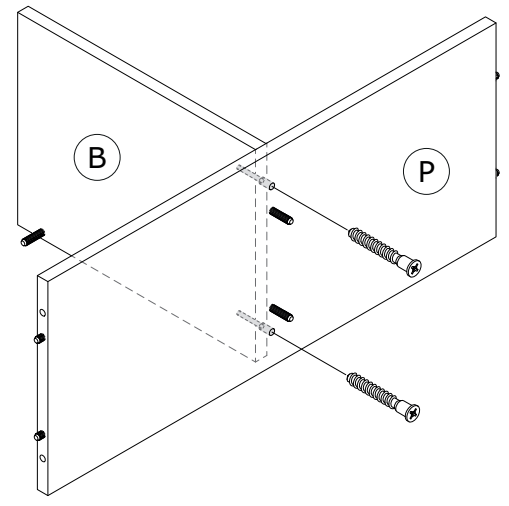
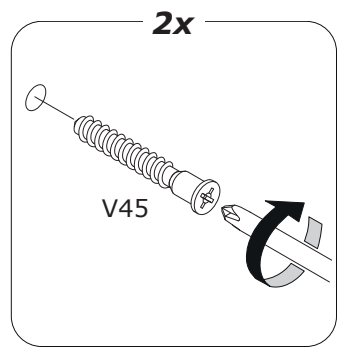
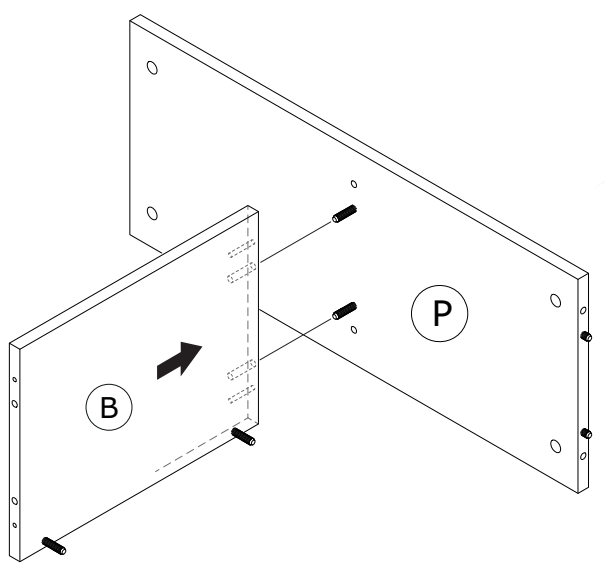
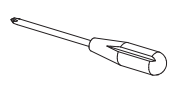
8



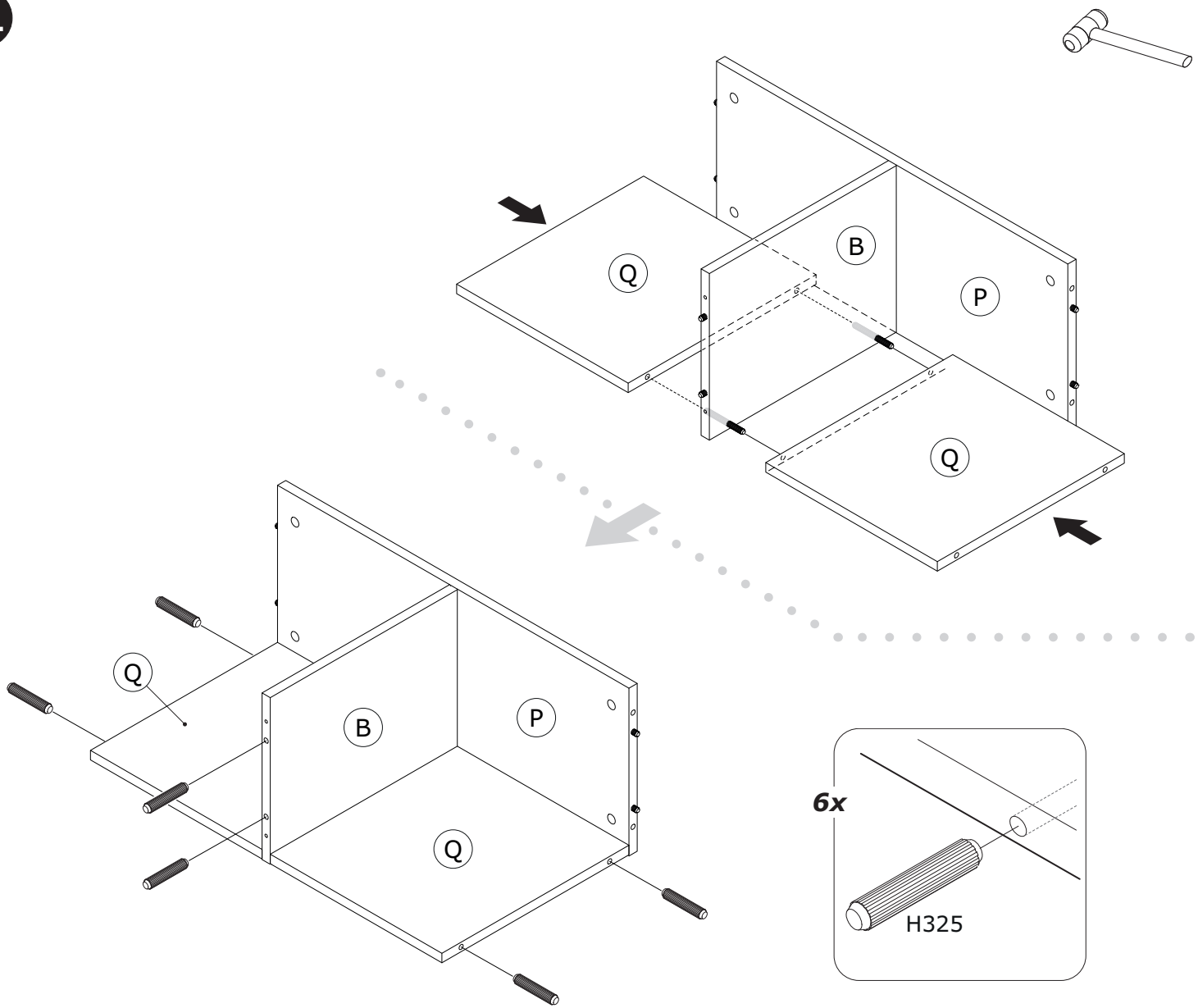
9



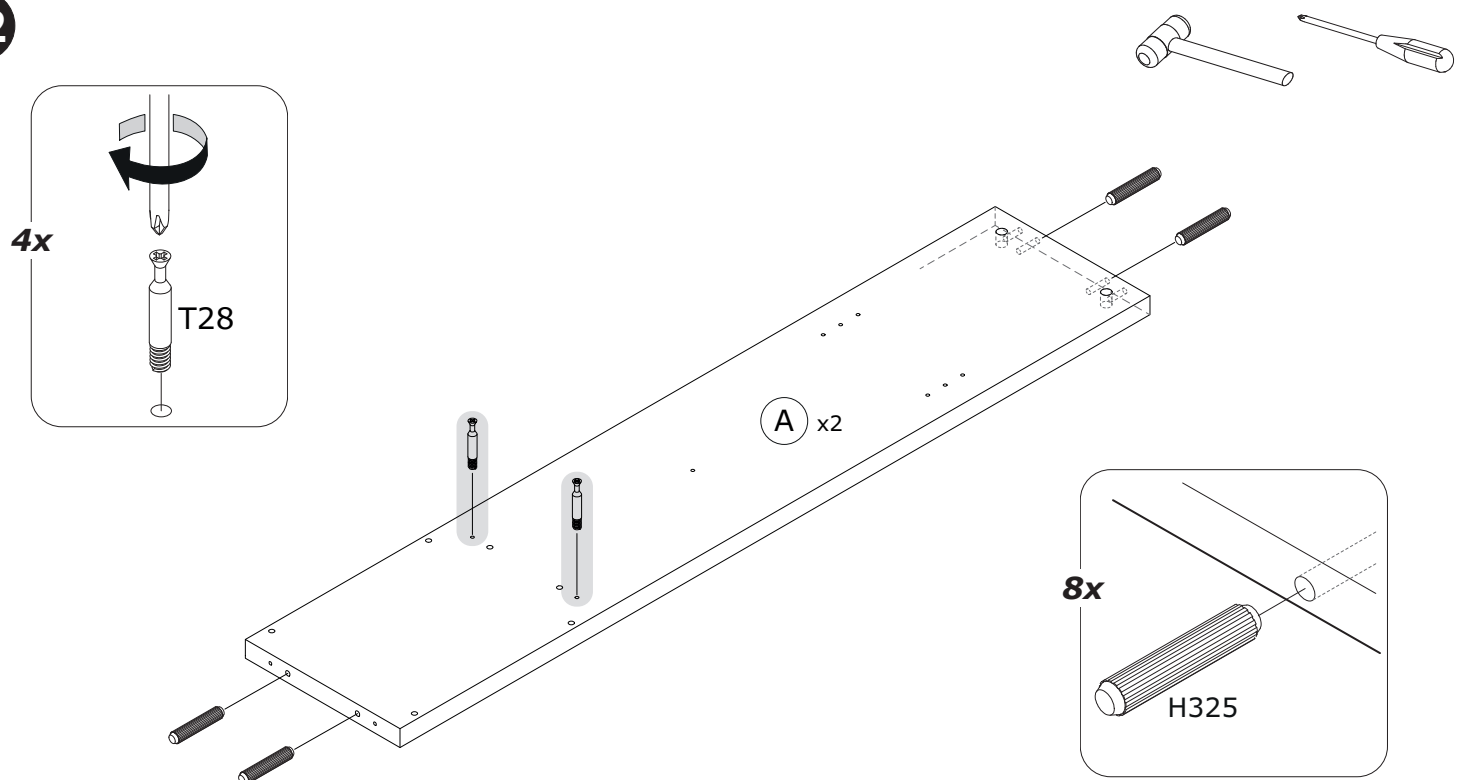
10



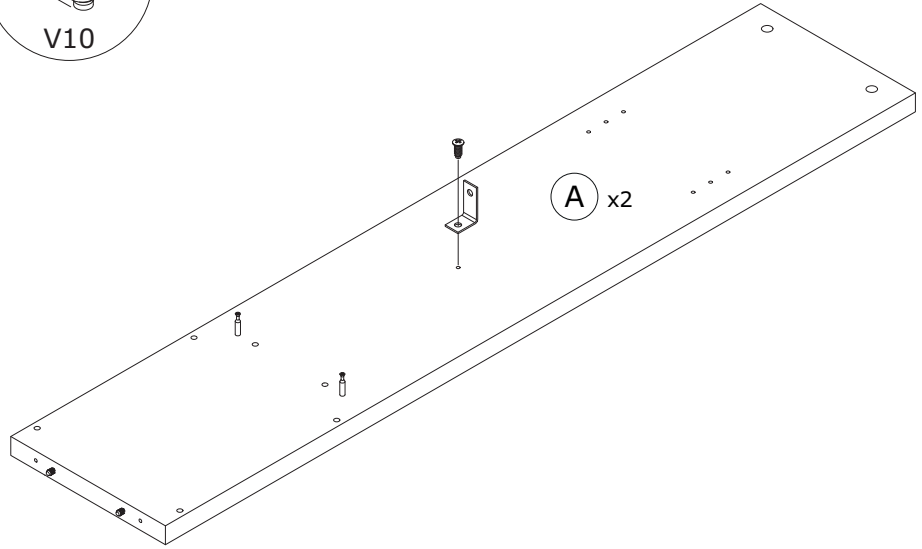
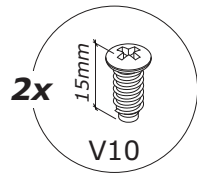
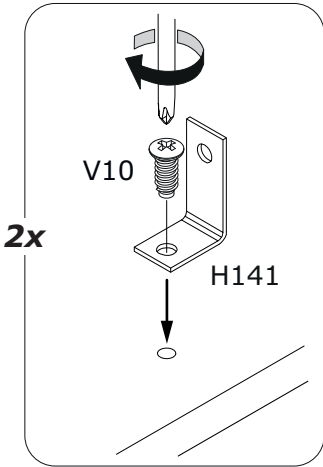
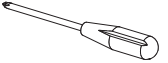
11



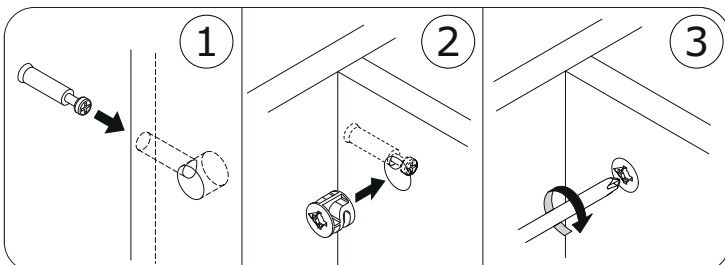
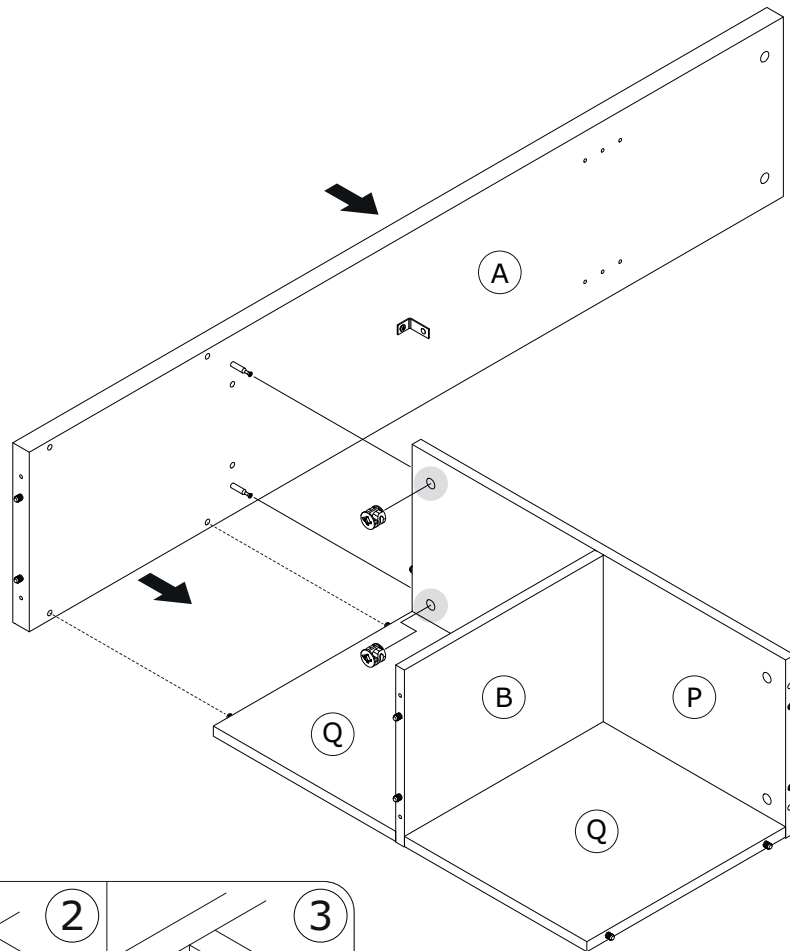
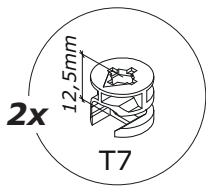
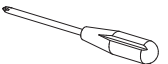
12



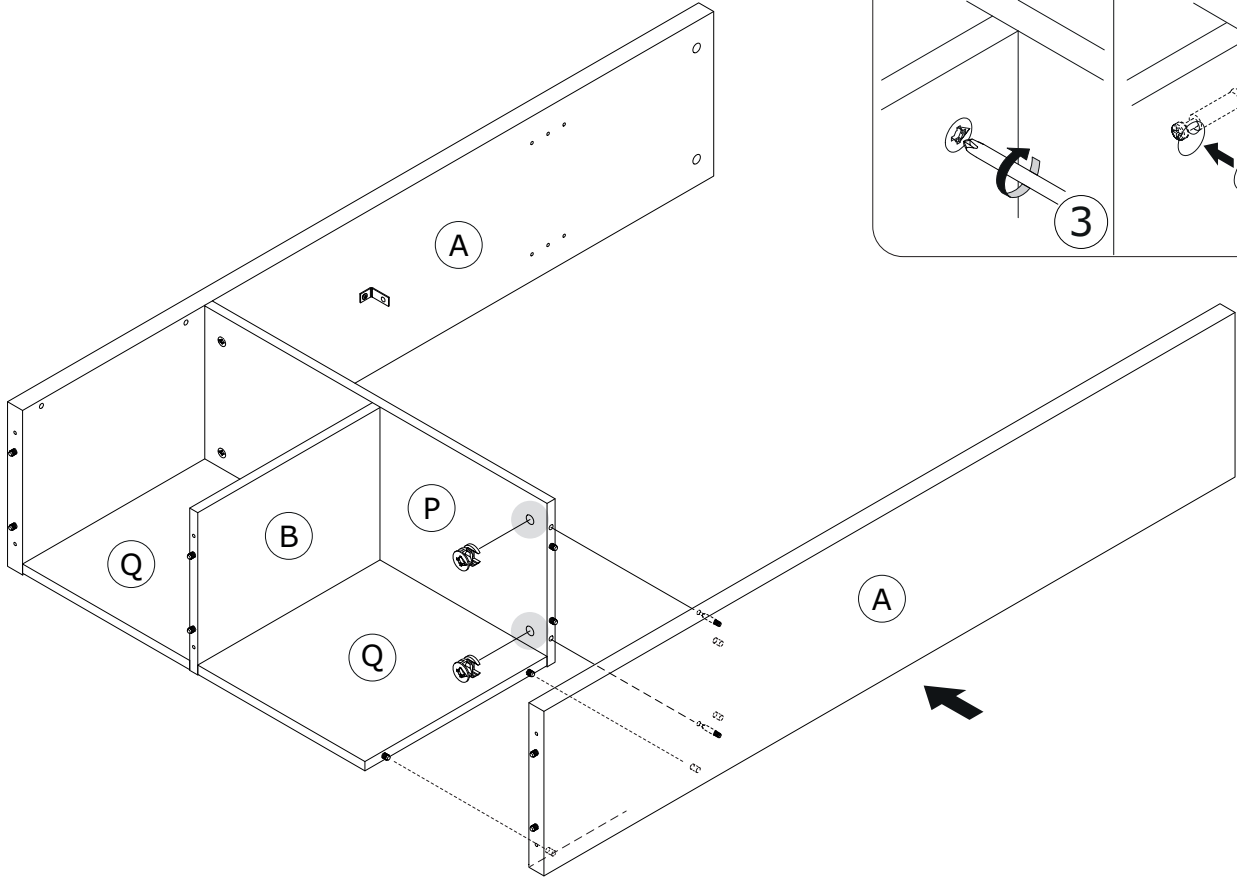
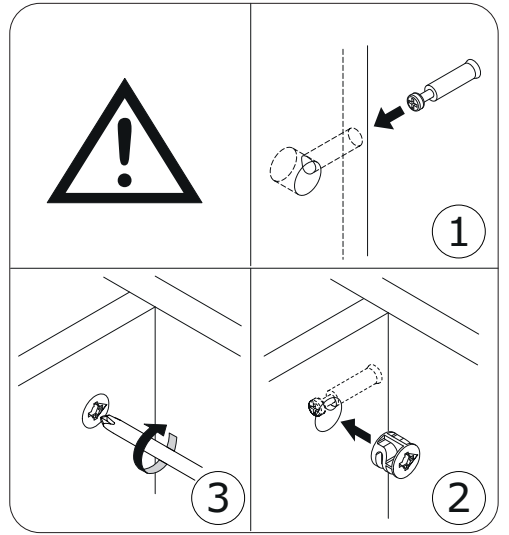
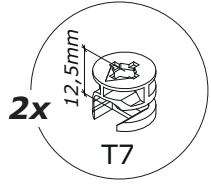
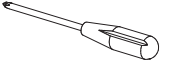
13



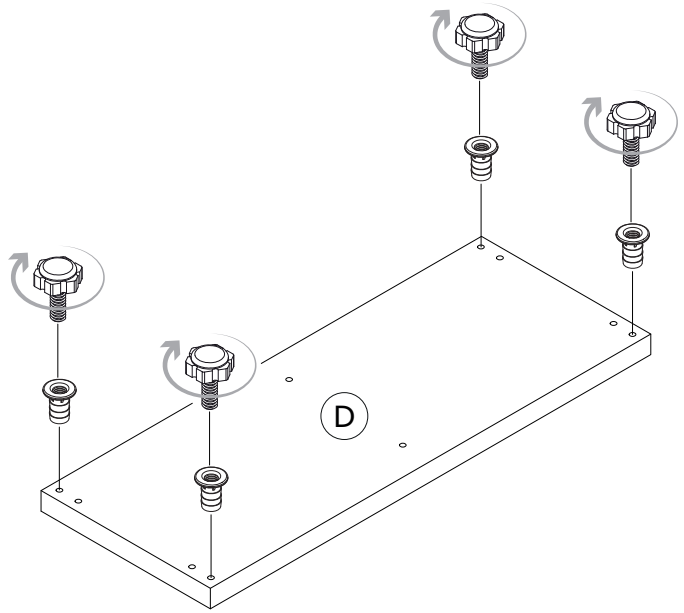
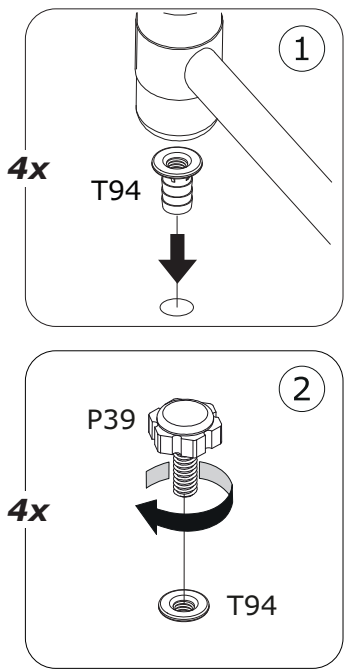
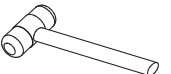
14



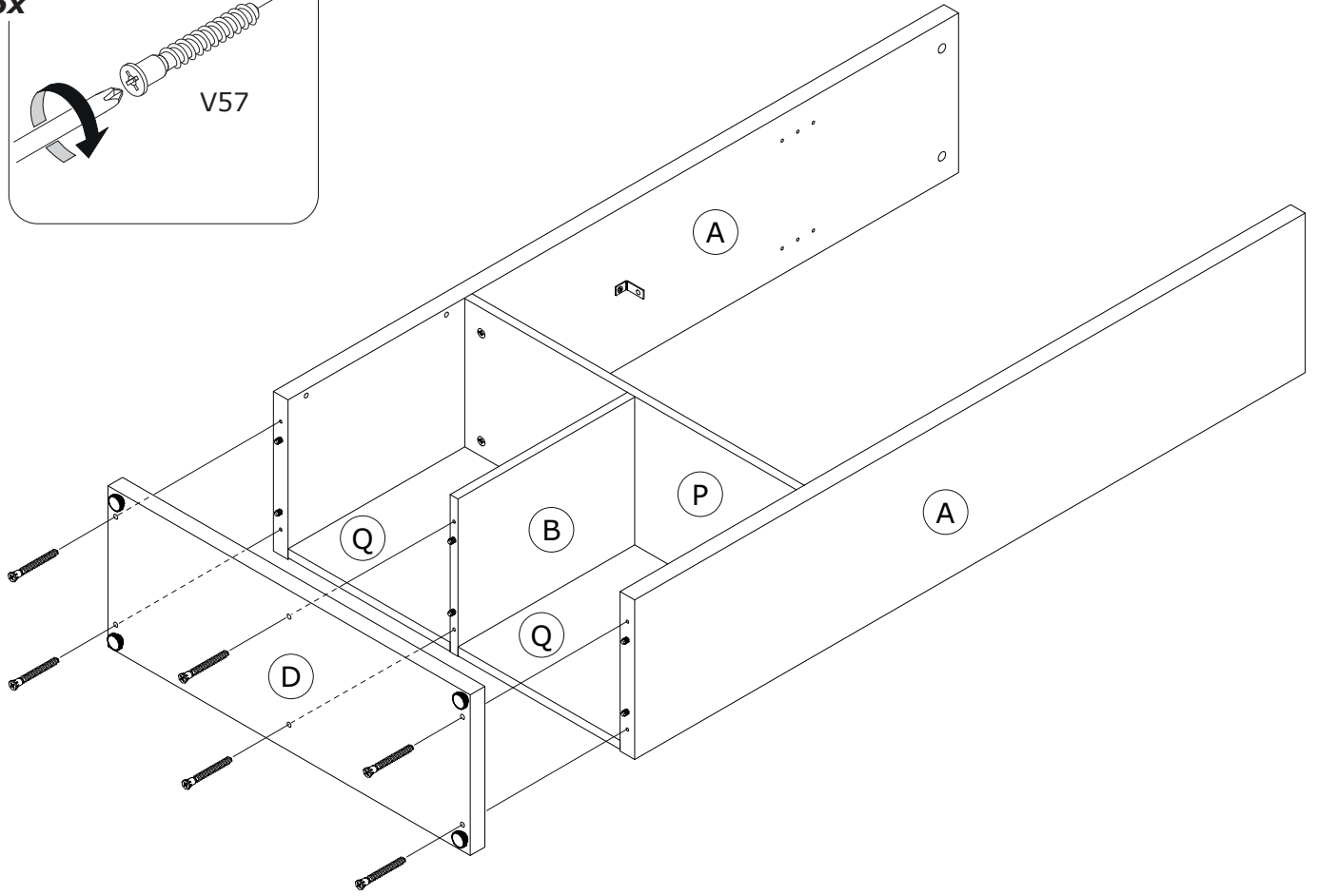
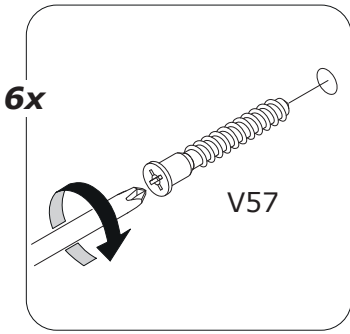
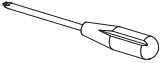
15



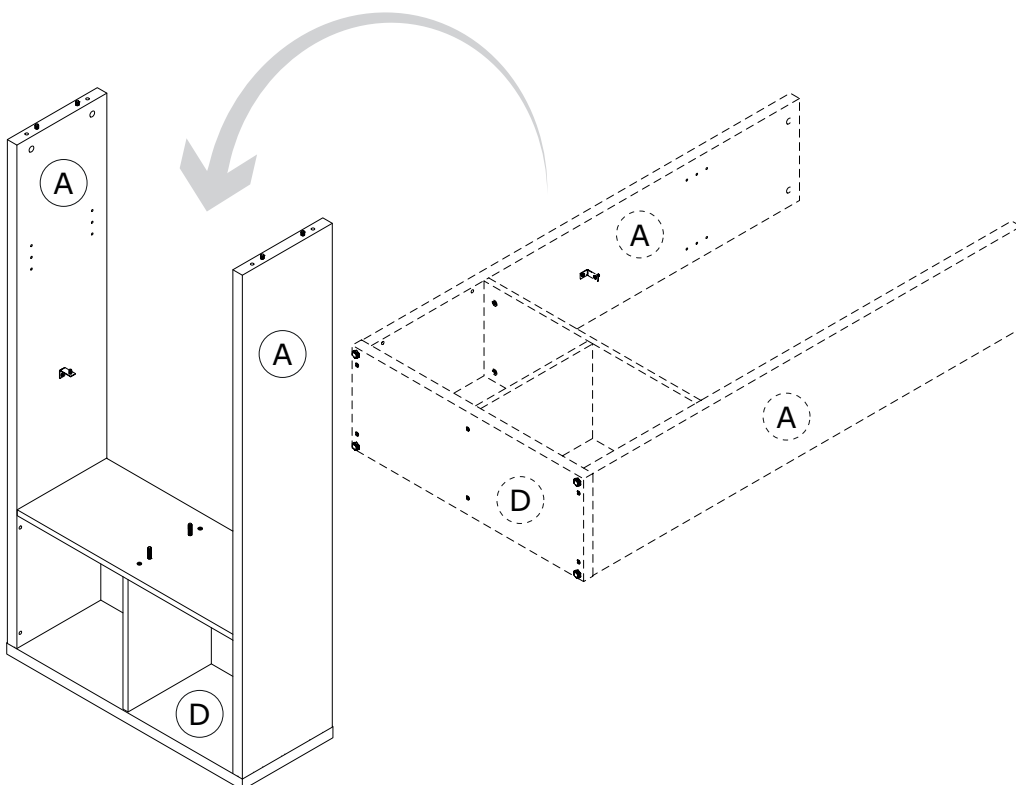
16

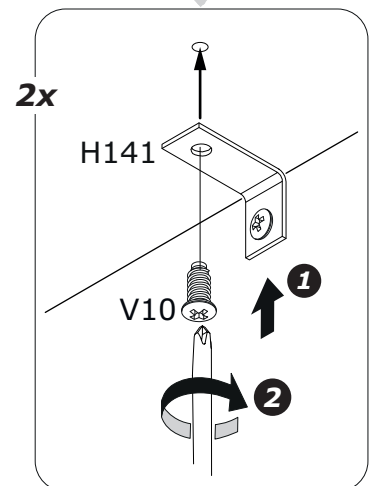
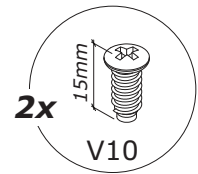
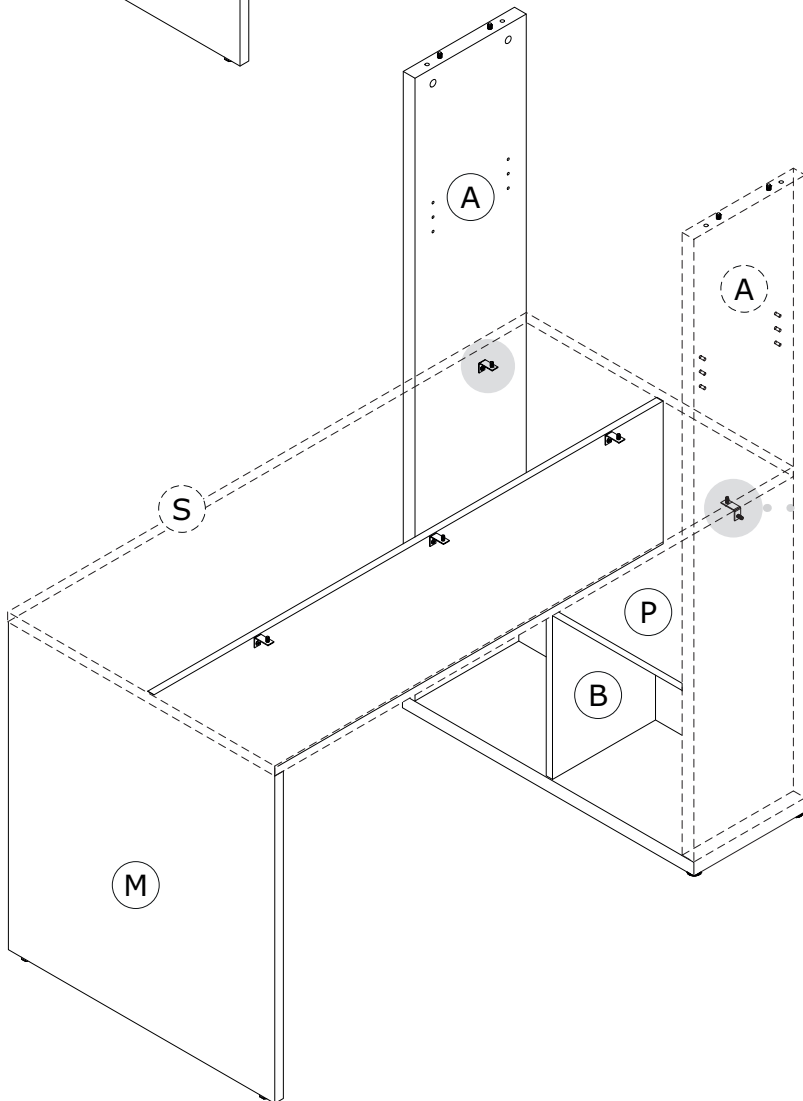
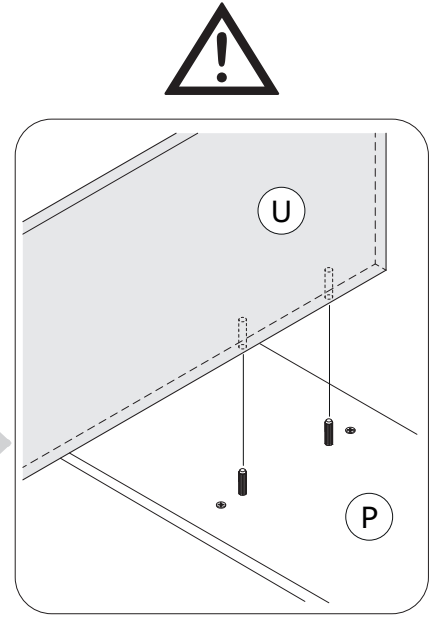
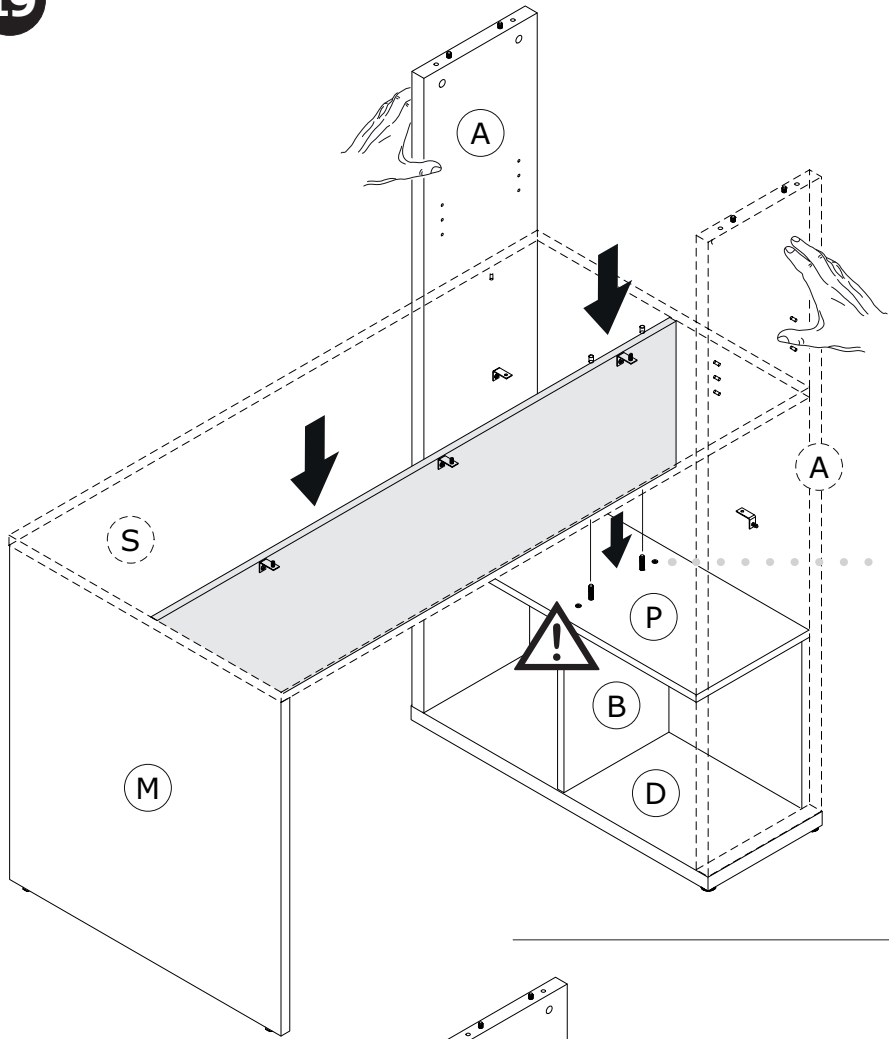


17

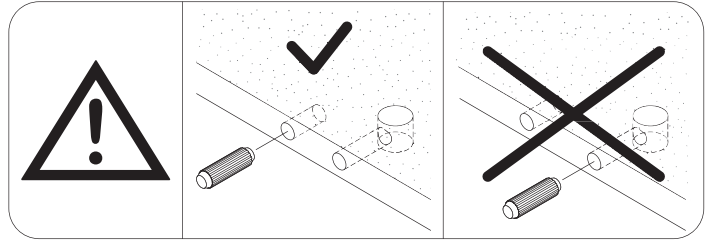
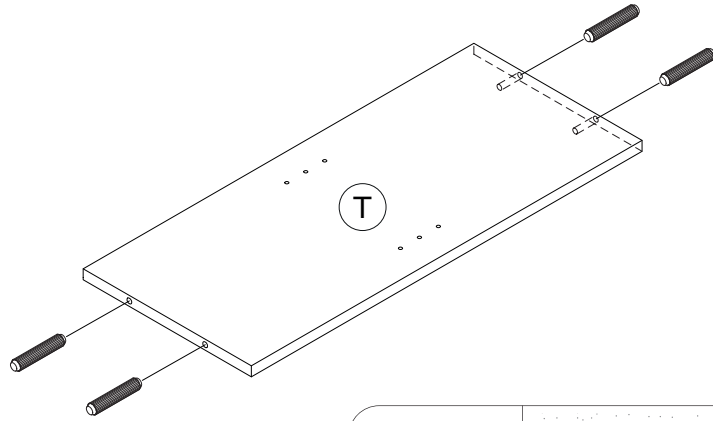
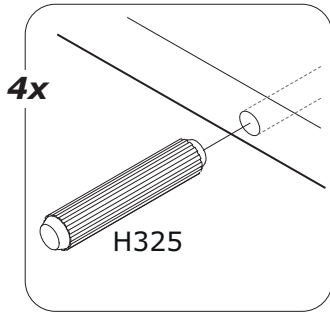
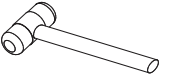


18

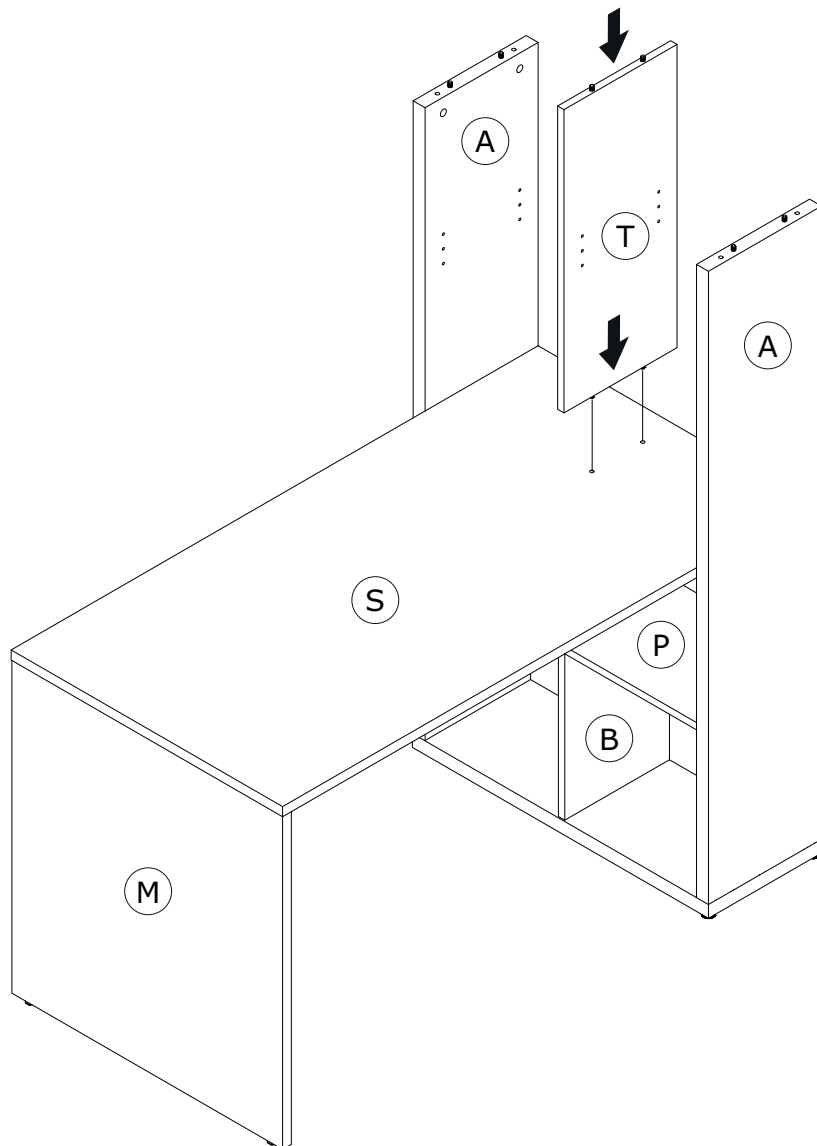




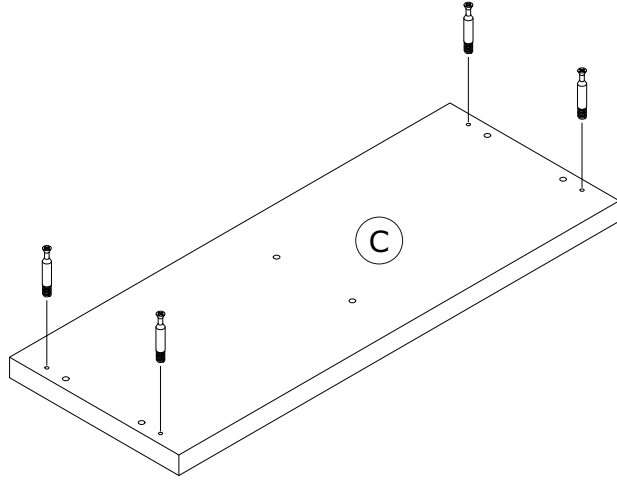
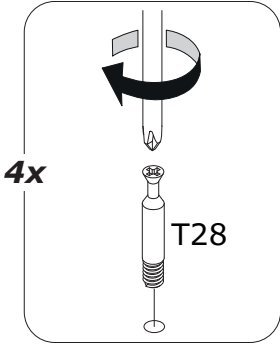
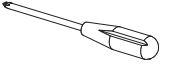
20



21



22



23

