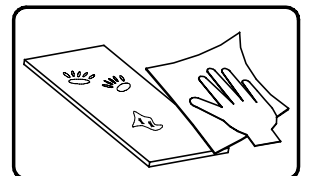
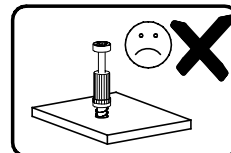
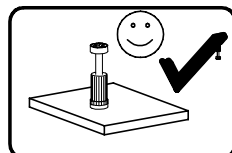
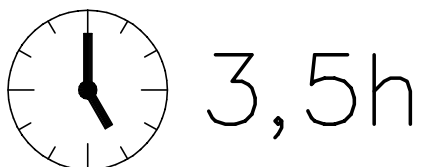
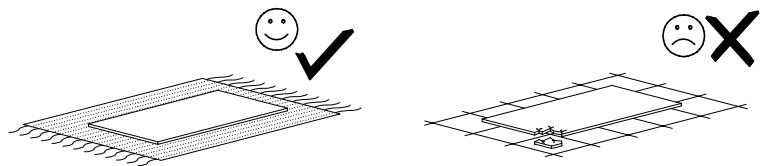
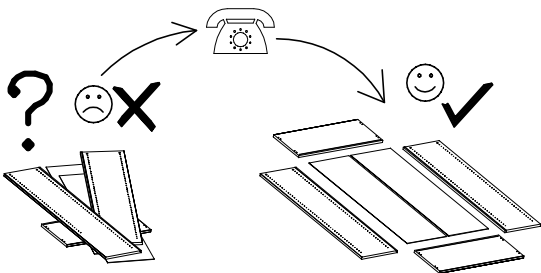
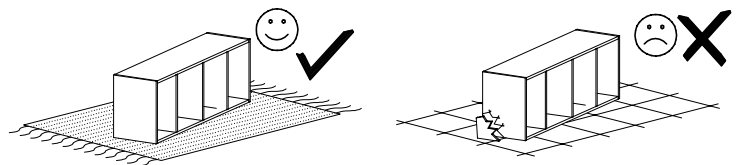
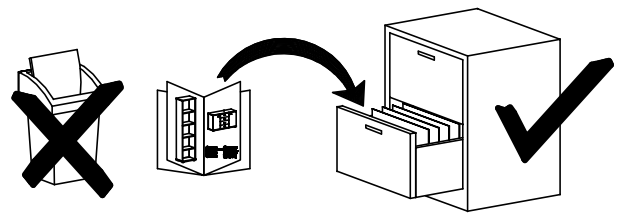
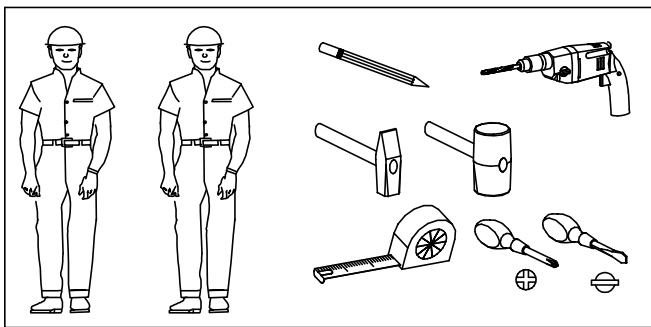
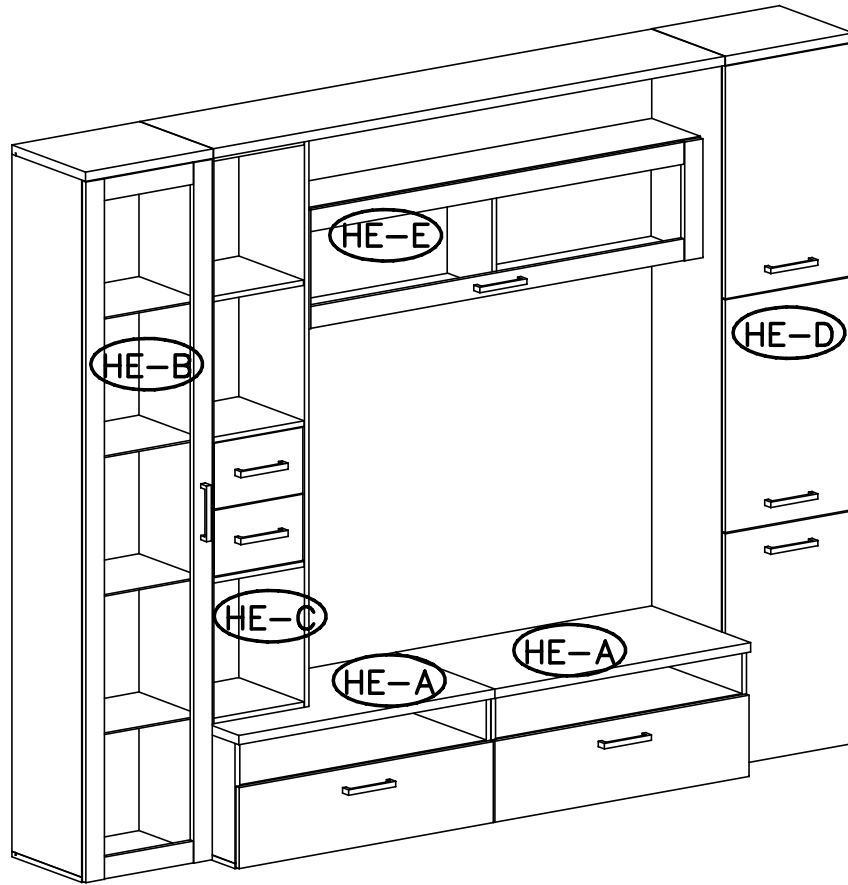
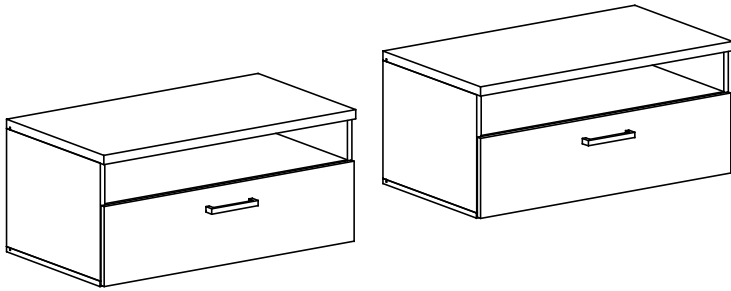
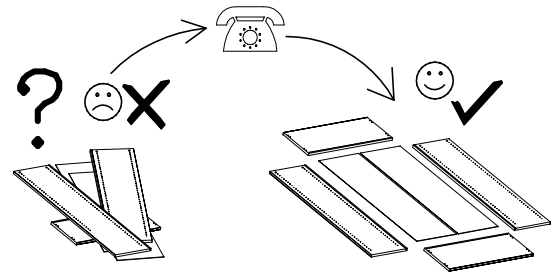
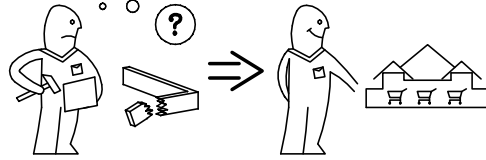
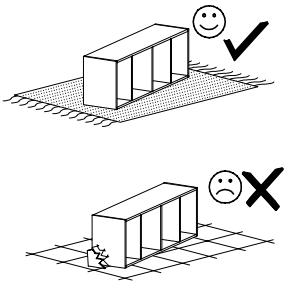
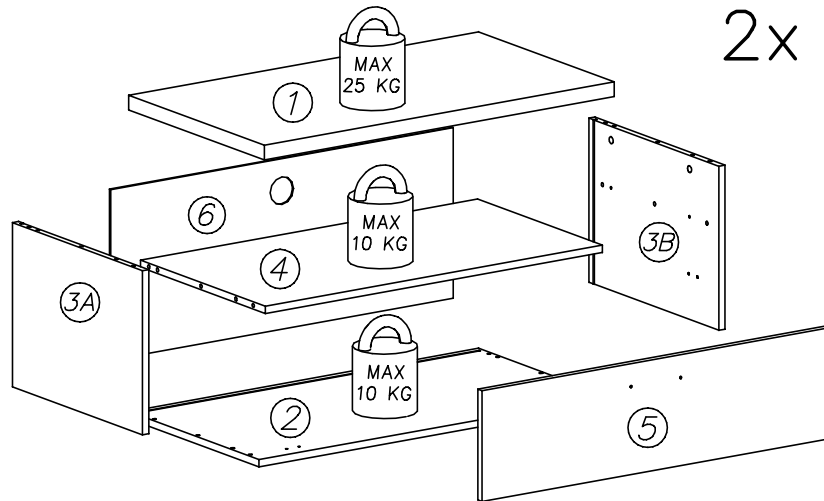



HERCULES

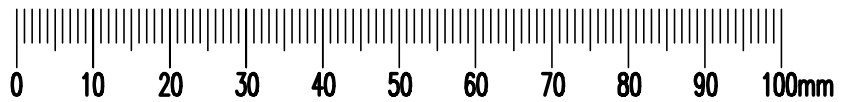


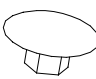



nr	L[mm]	B[mm]	T[mm]	Menge	Colli
1	900	498	32	2	1,2/7
2	900	478	16	2	1,2/7
3A	358	478	16	2	1,2/7
3B	358	478	16	2	1,2/7
4	867	458	16	2	1,2/7
5	242	894	16	2	1/7
6	879	370	3	2	1,2/7



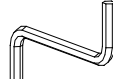
G8 
4x30 x...(4)





I7 
ø18 x...(16)

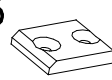
E17 
160mm x...(2)

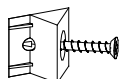
L6 
x...(4)


W2 
x...(1)

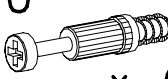
A1 
ø7x50 x...(8)


K1 
ø15x12 x...(16)

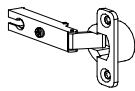
P33 
x...(8)

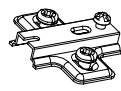
I1 
x...(12)


G21 
3x16 x...(24)

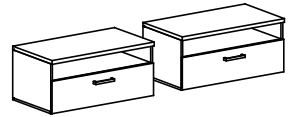
K10 
x...(16)

B1 
ø8x35 x...(36)

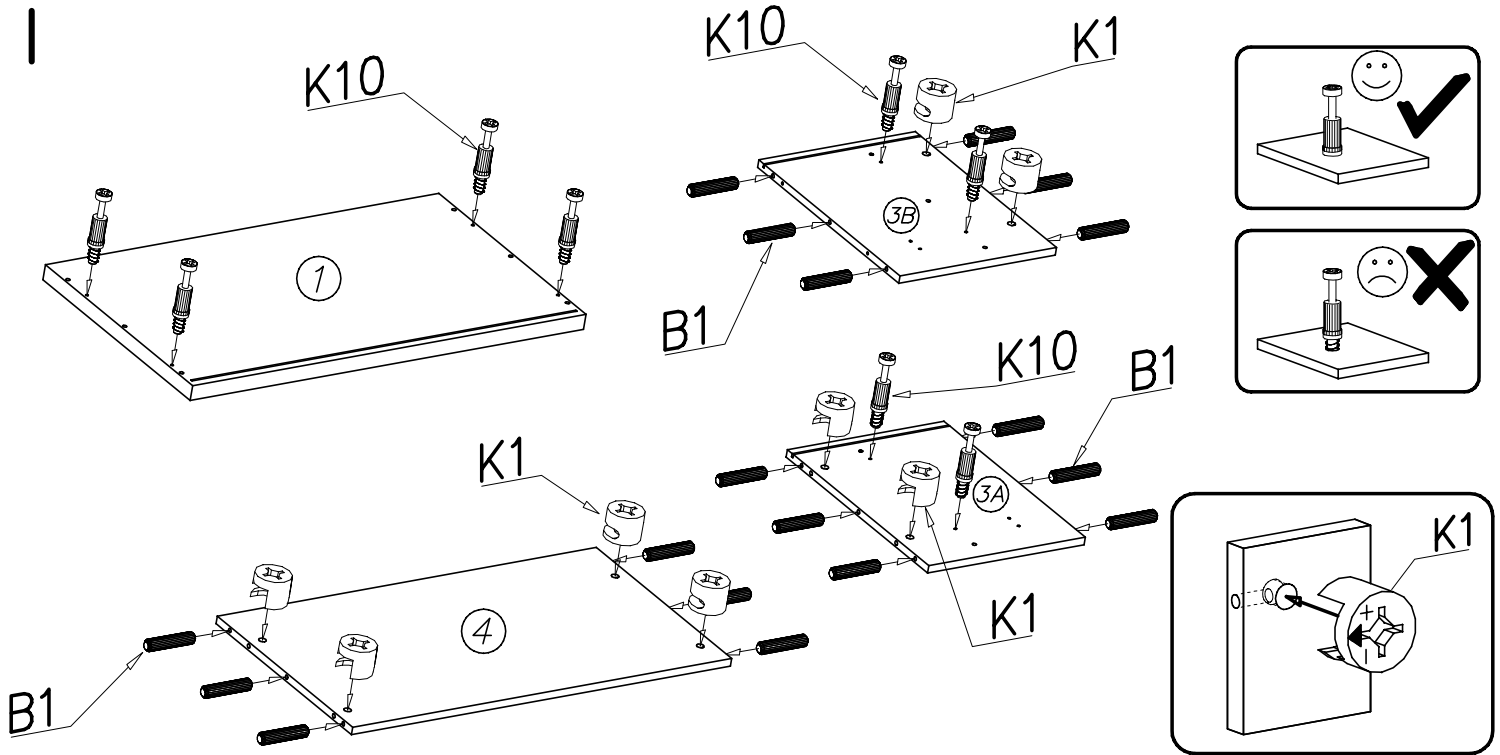
C3 
Z35PR x...(4)

D3 
PZ35PR x...(4)

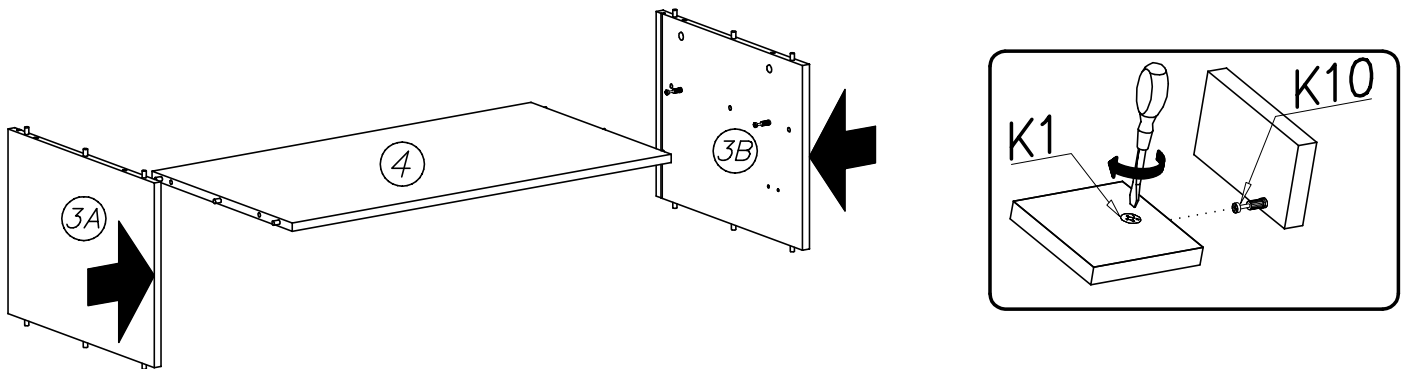
G36 
3,5x13 x...(36)



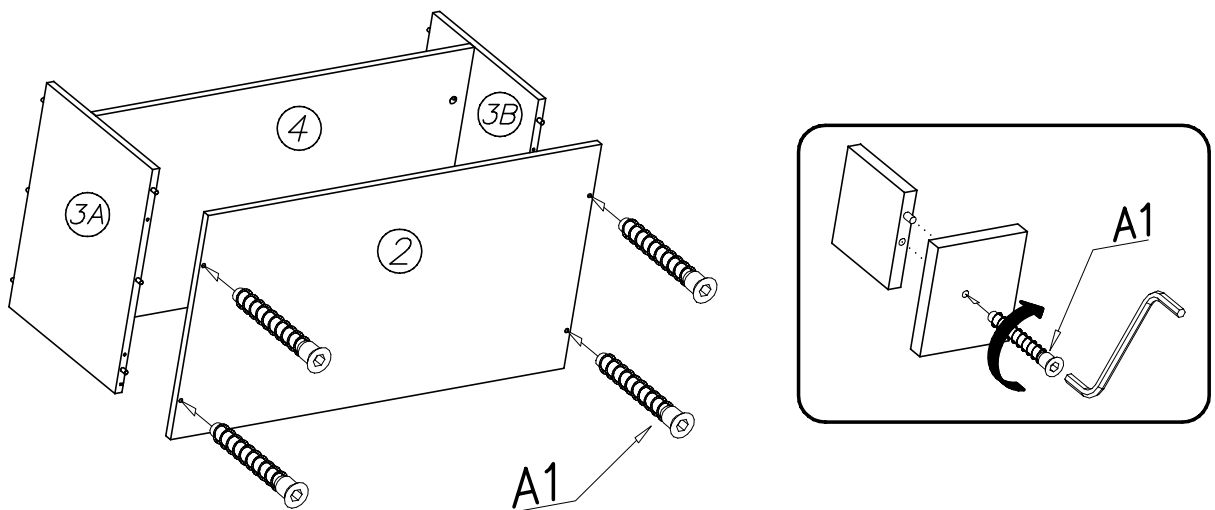
I

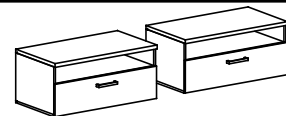


II

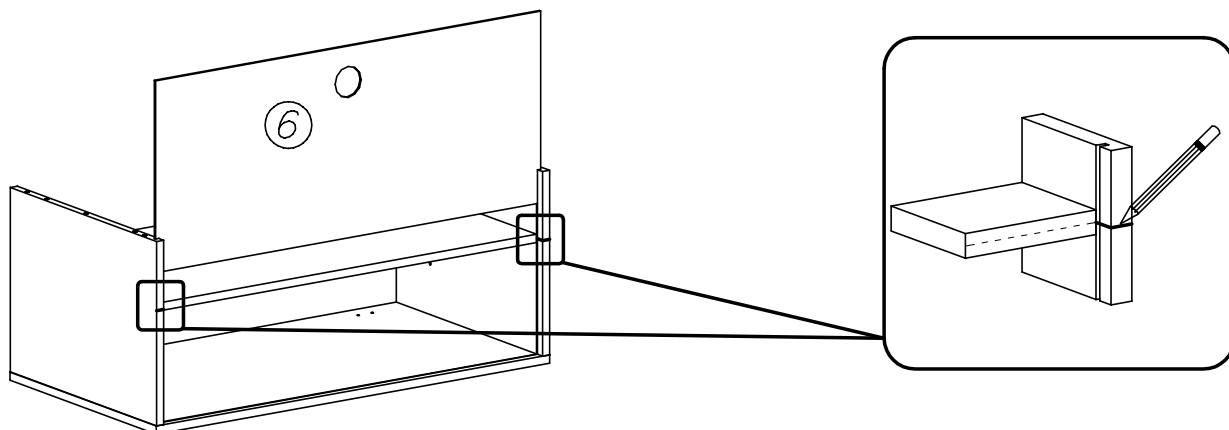


III

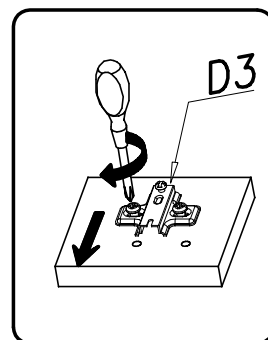
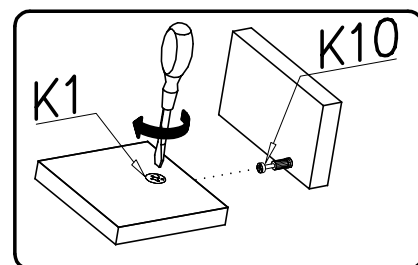
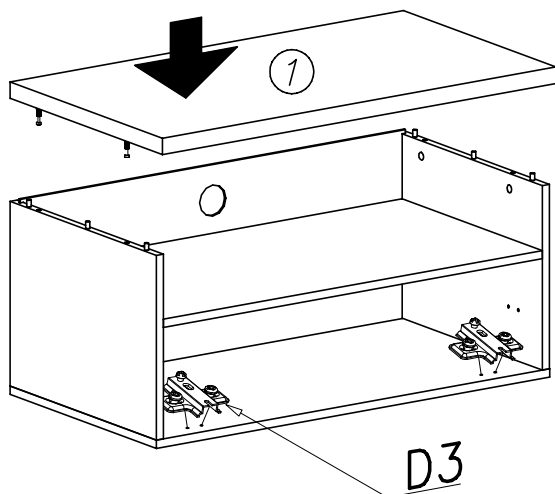




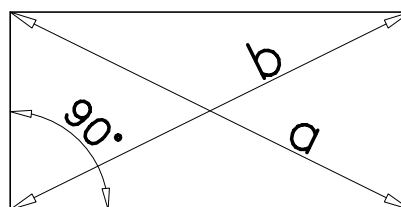
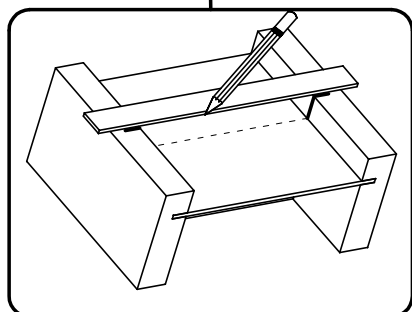
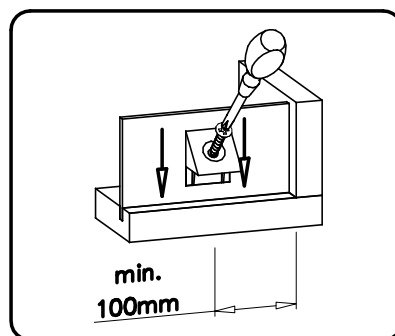
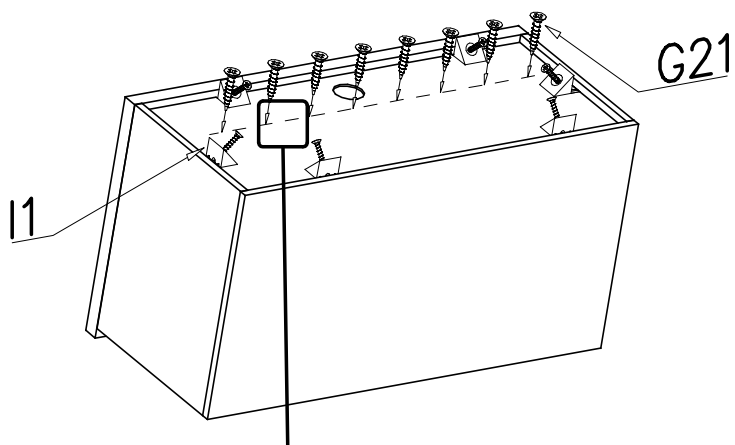
IV



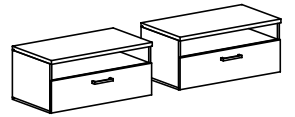
V



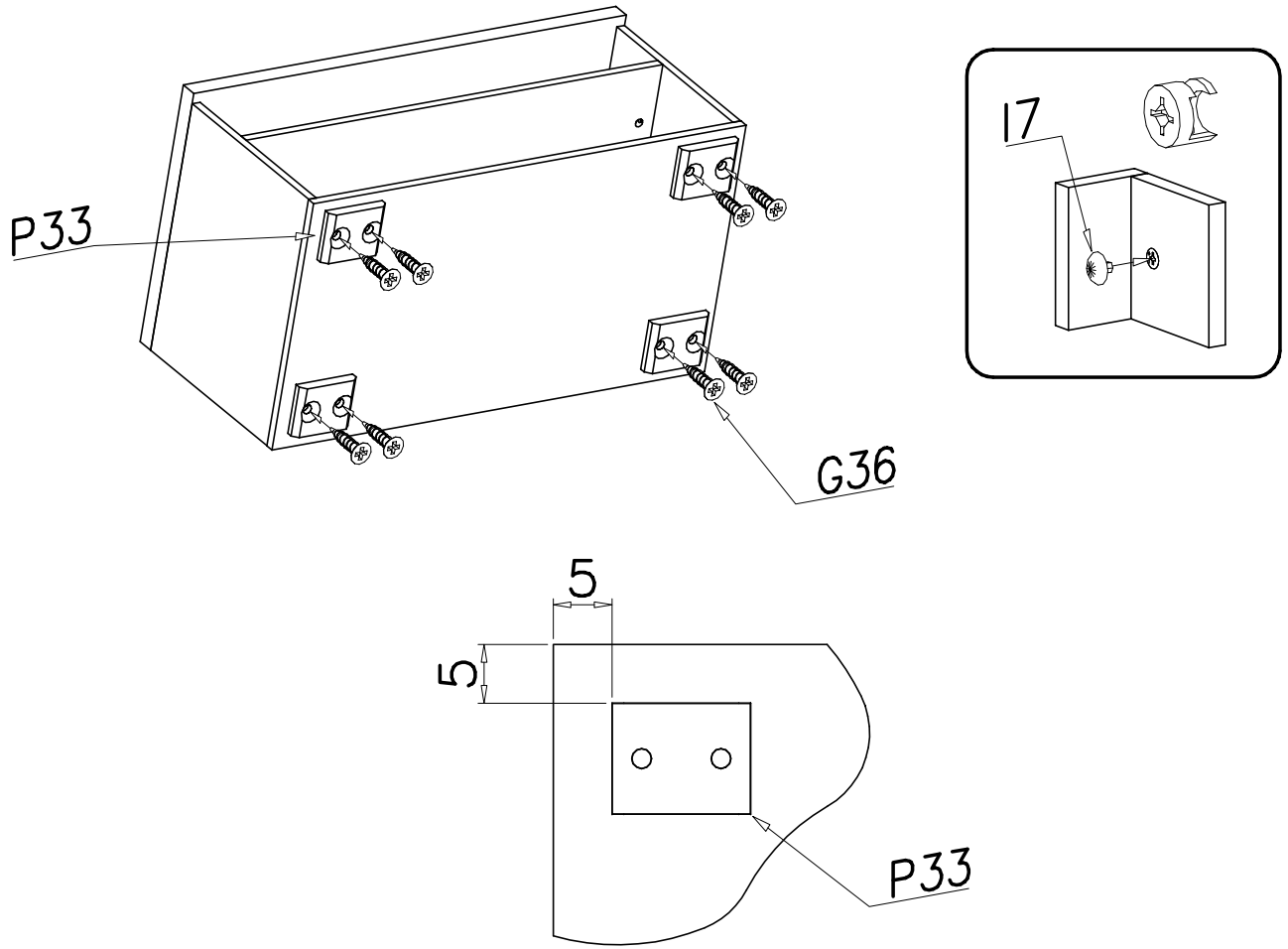
VI



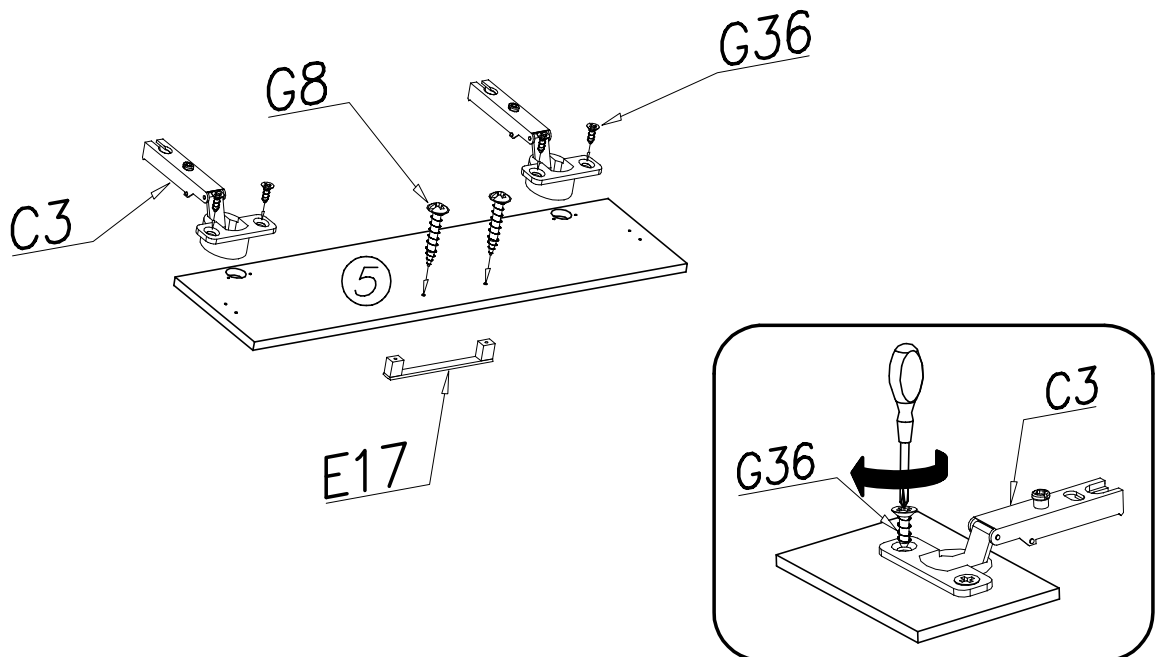
$$a = b$$

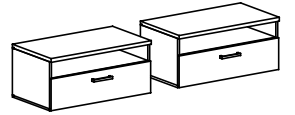


VII

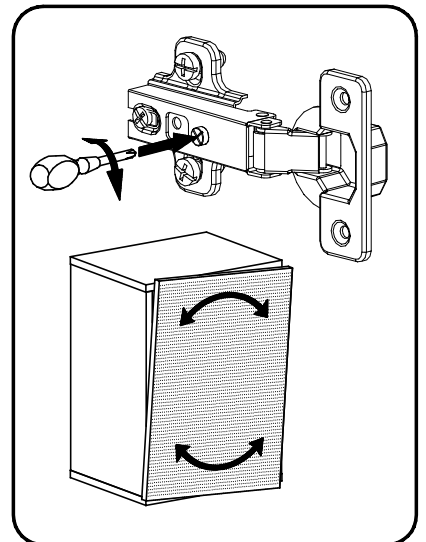
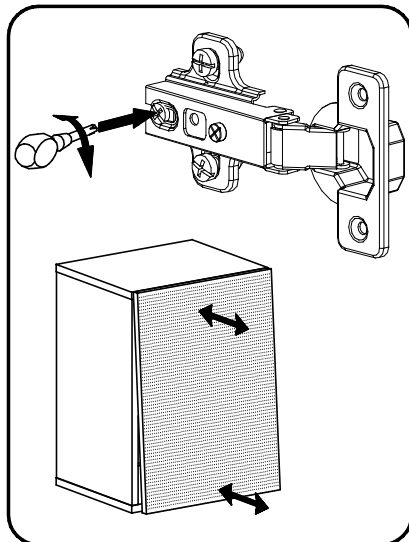
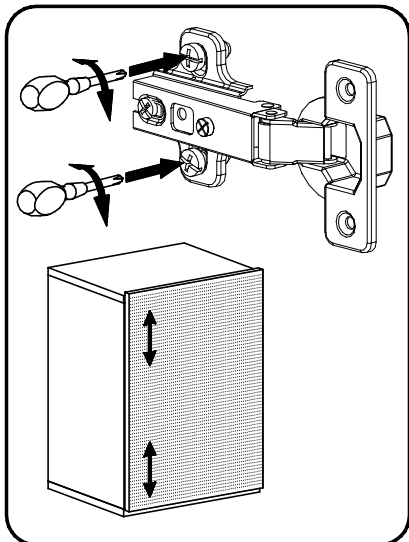
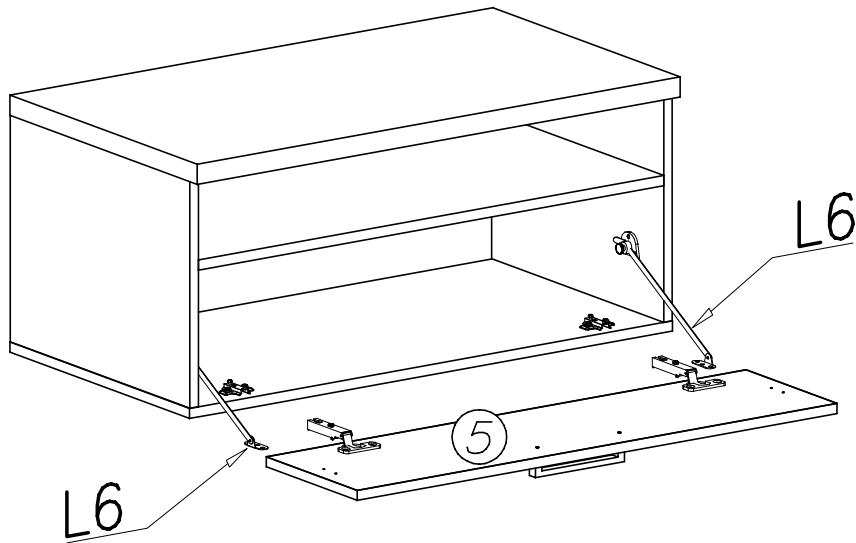
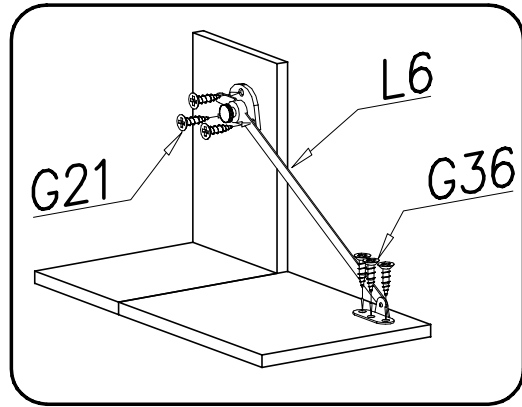
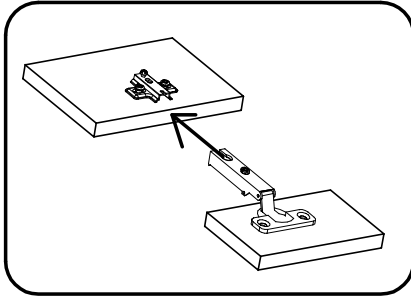


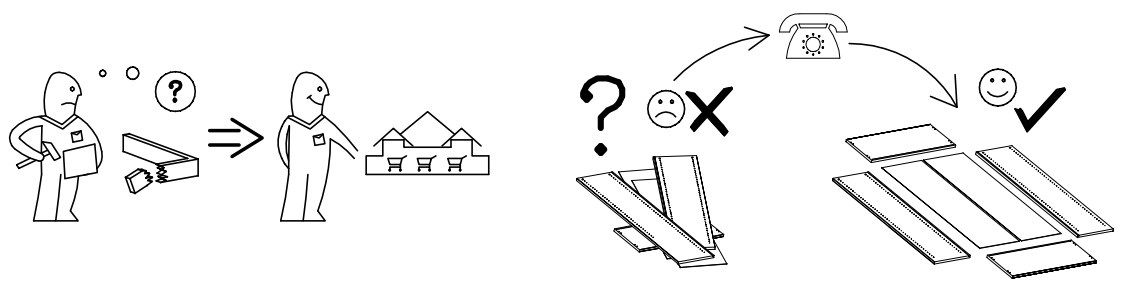
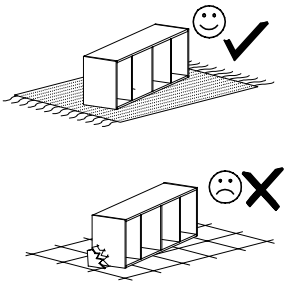
VIII



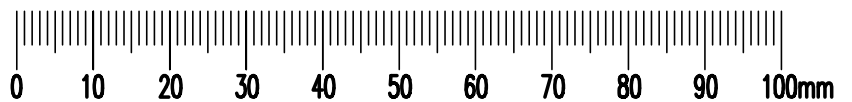
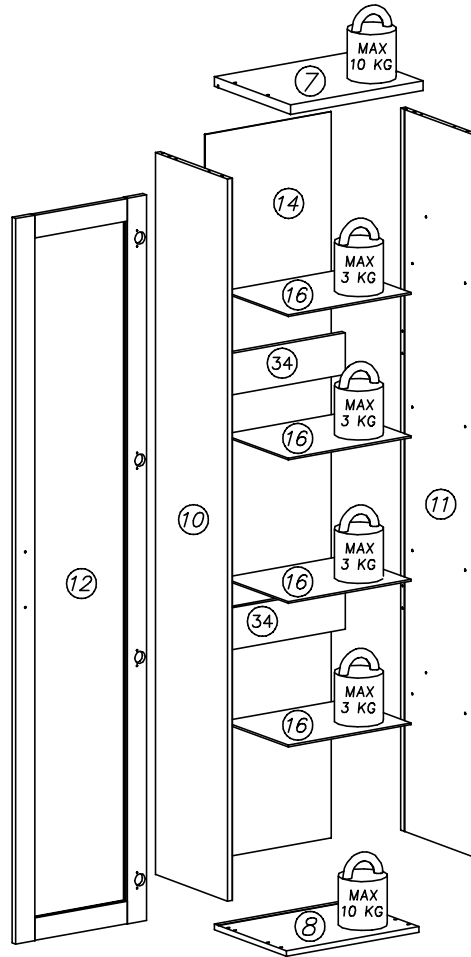
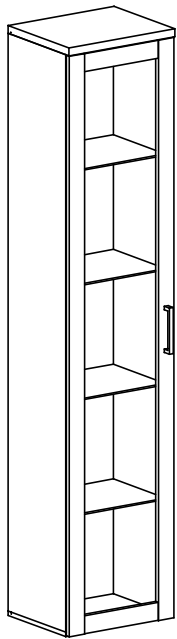




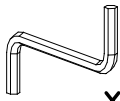
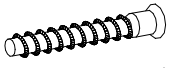

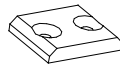

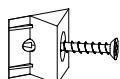
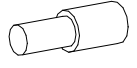
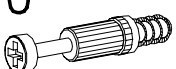

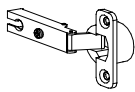
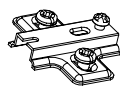
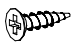
IX

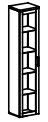




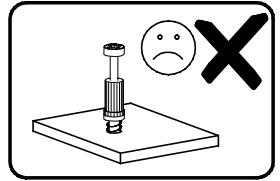
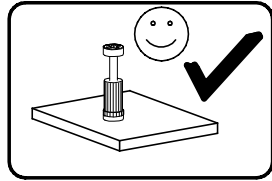
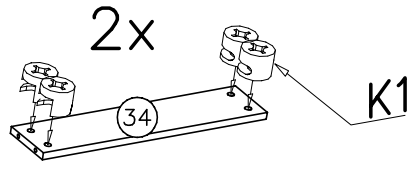
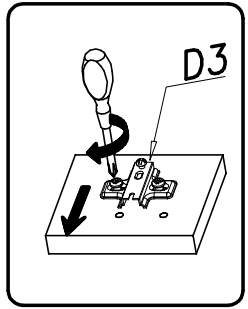
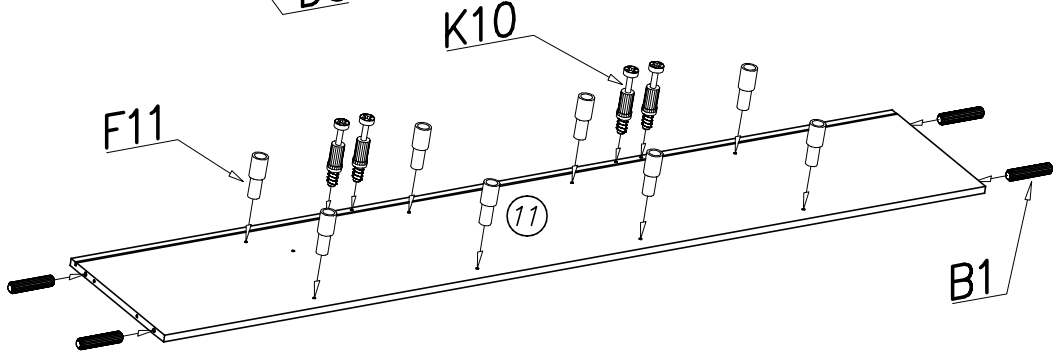
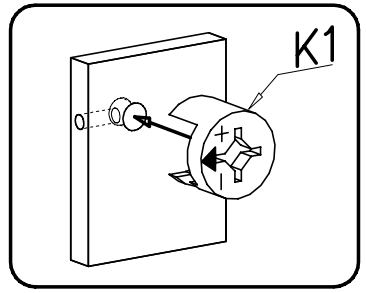
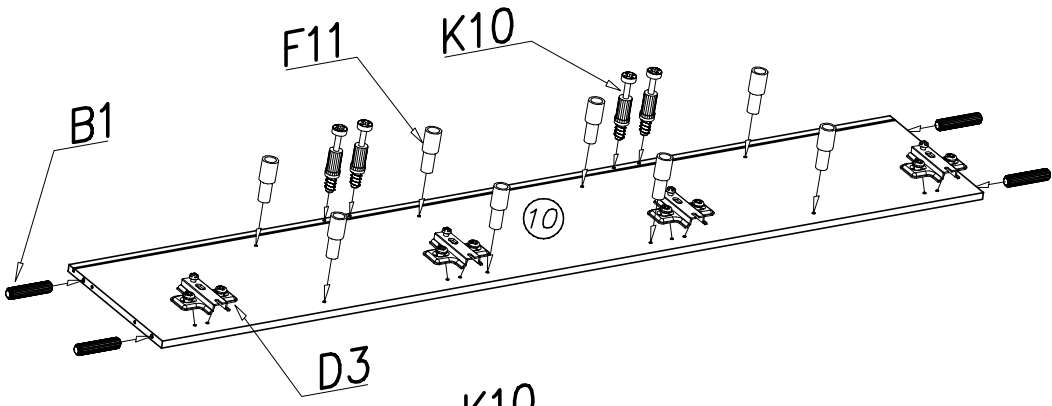
nr	L[mm]	B[mm]	T[mm]	Menge	Coll
7	450	370	28	1	4/7
8	450	350	16	1	4/7
10	2079	350	16	1	4/7
11	2079	350	16	1	4/7
12	2089	444	18	1	3/7
14	2091	429	3	1	3/7
16	415	315	5	4	4/7
34	417	120	16	2	2/7



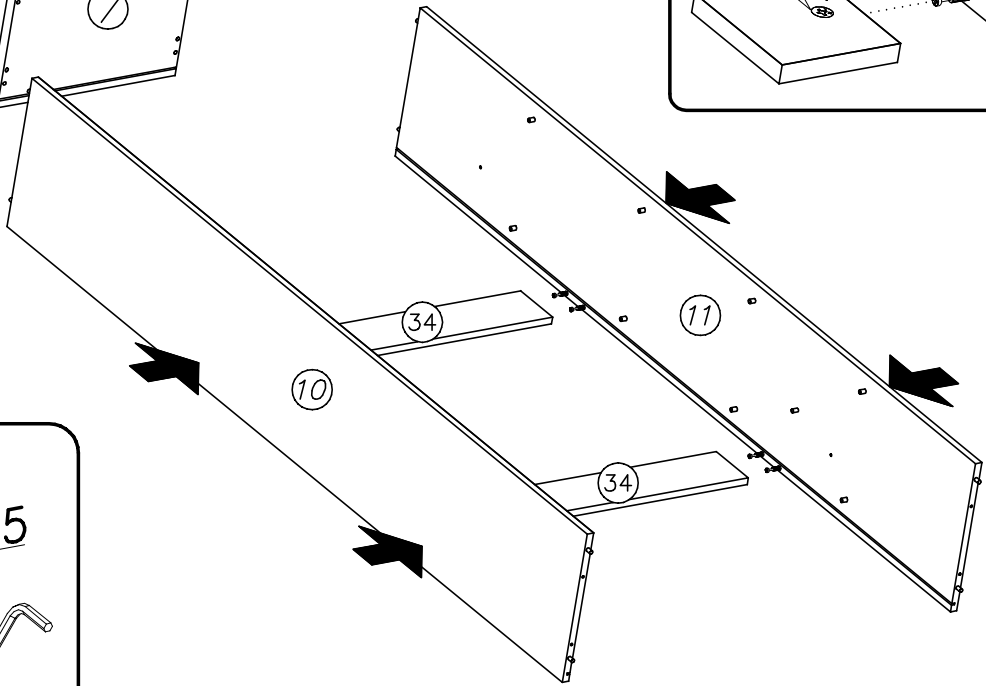
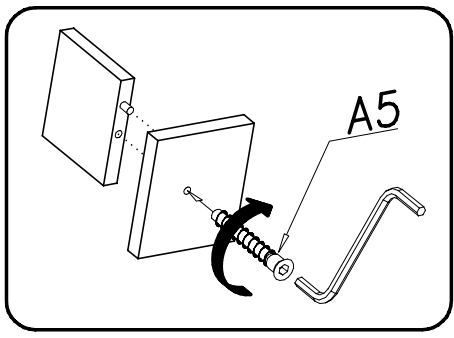
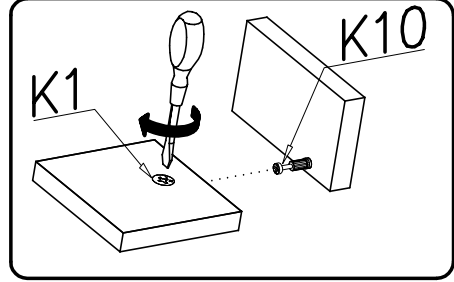
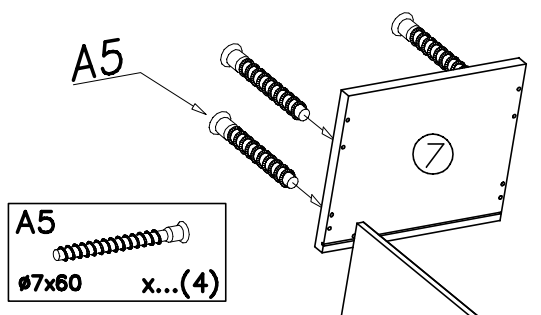
	G8  4x30 x...(2)	E17  160mm x...(1)	W2  x...(1)	A1  ø7x50 x...(4)
K1  ø15x12 x...(8)	P33  x...(4)	A5  ø7x60 x...(4)	I1  x...(12)	F11  x...(16)
K10  x...(8)	B1  ø8x35 x...(8)	C3  Z35PR x...(4)	D3  PZ35PR x...(4)	G36  3,5x13 x...(16)



I

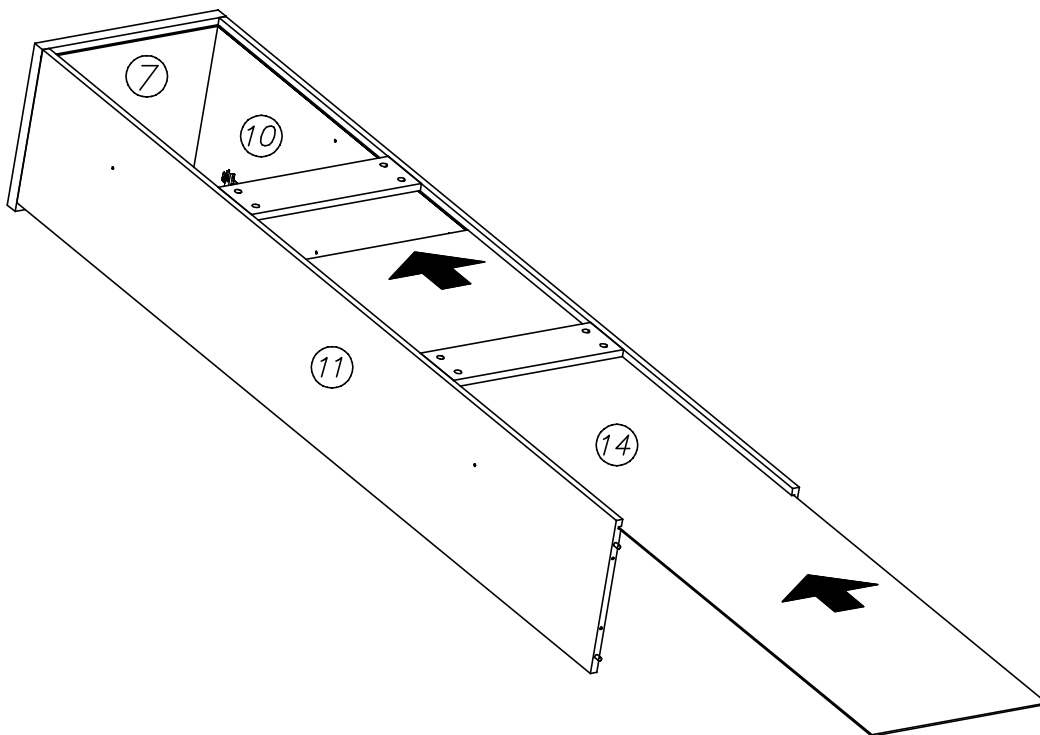


II

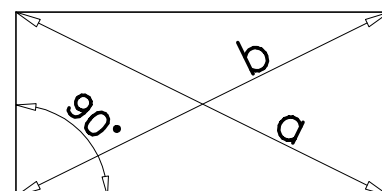
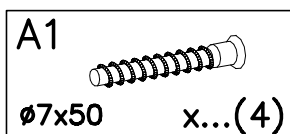
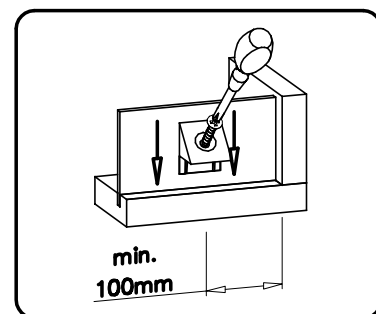
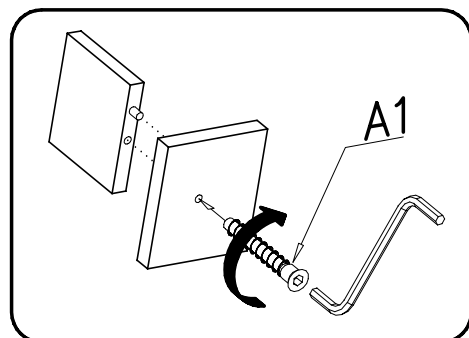
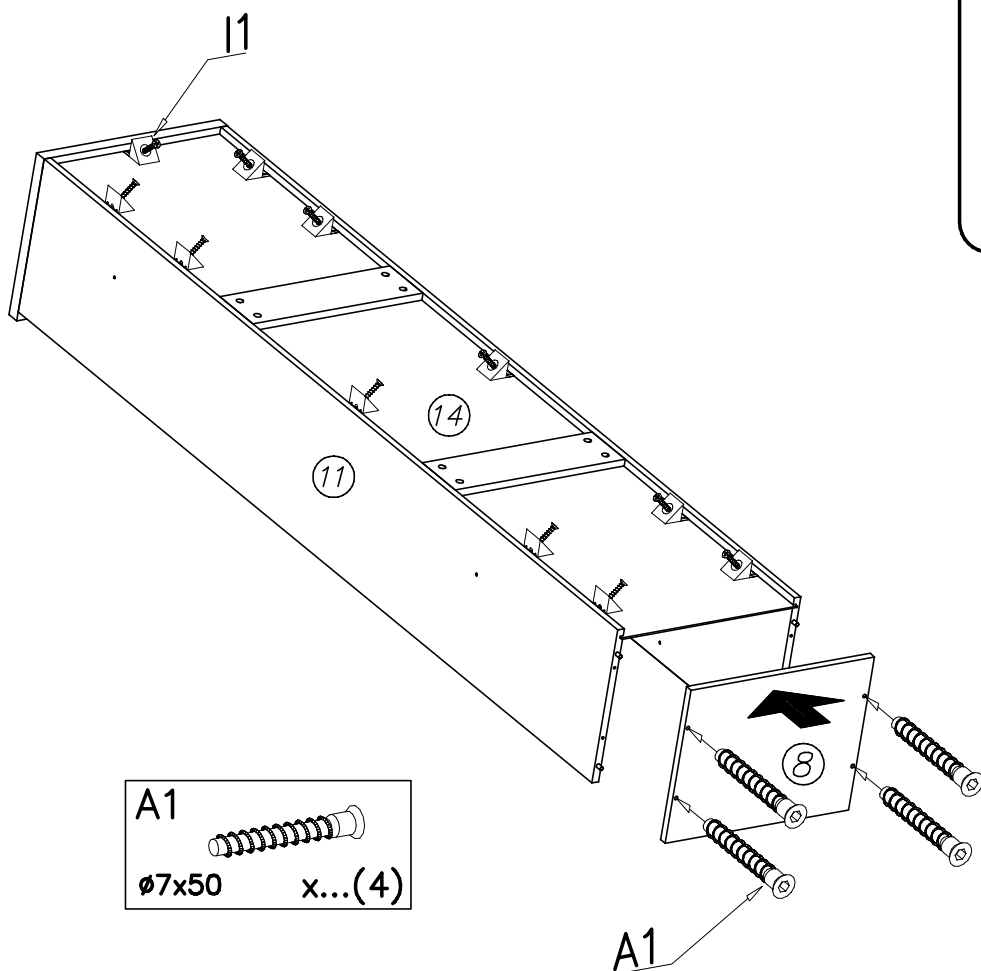


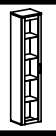


III

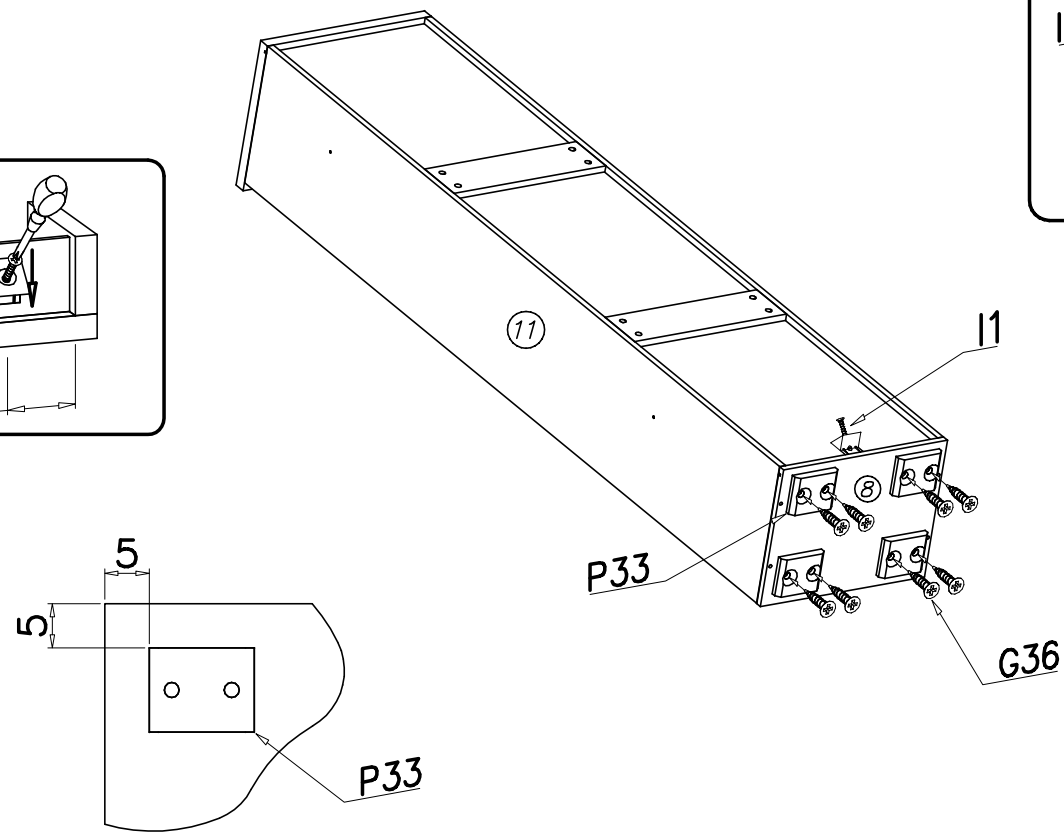
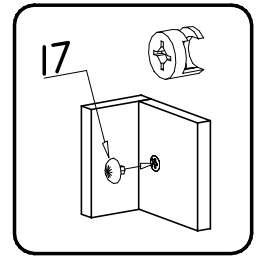
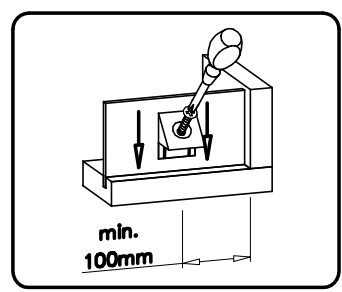


IV

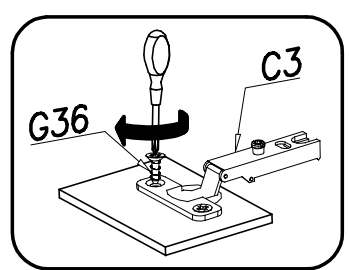
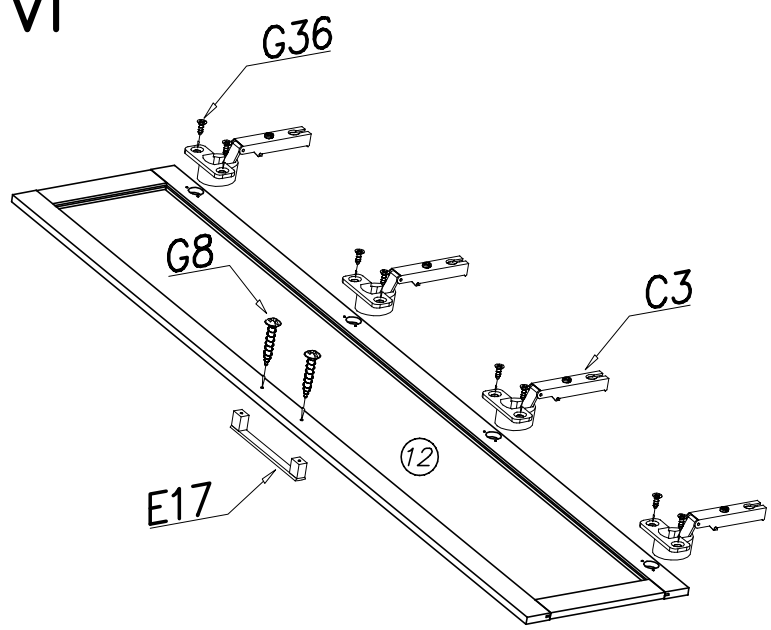




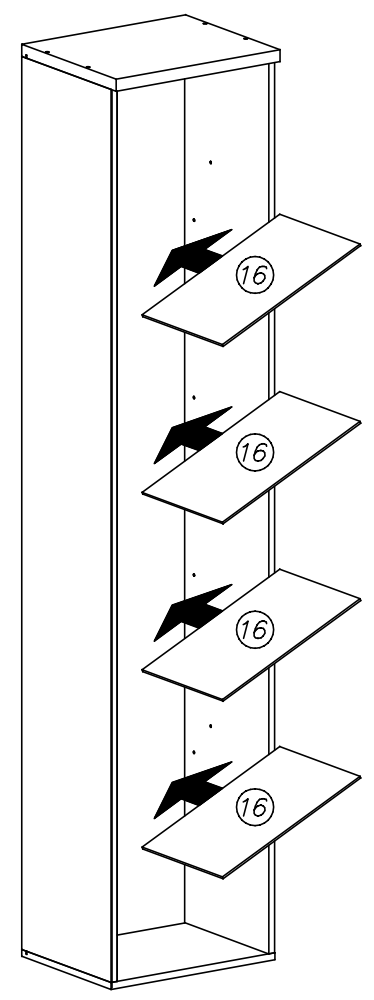
V

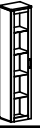


VI

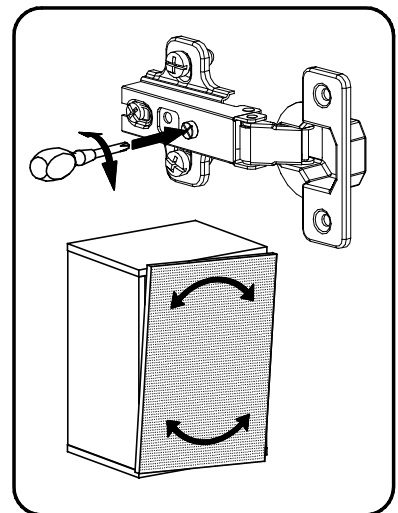
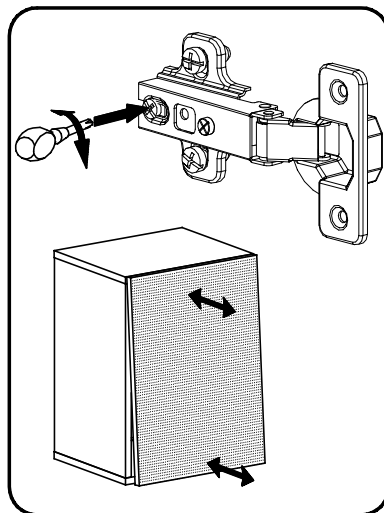
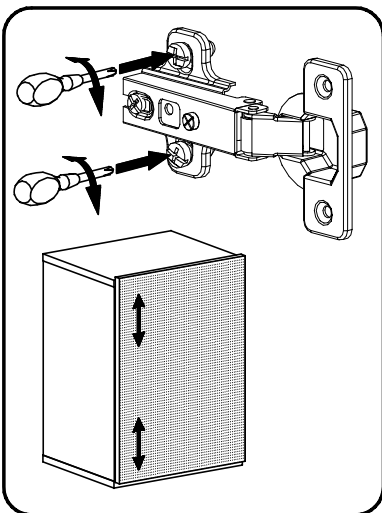
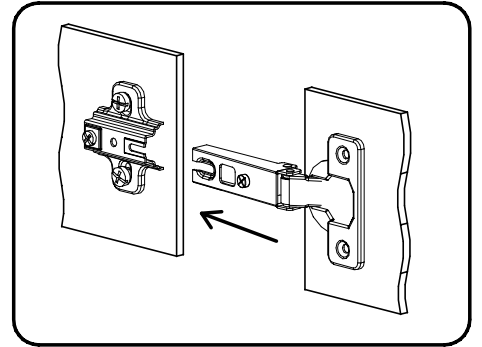
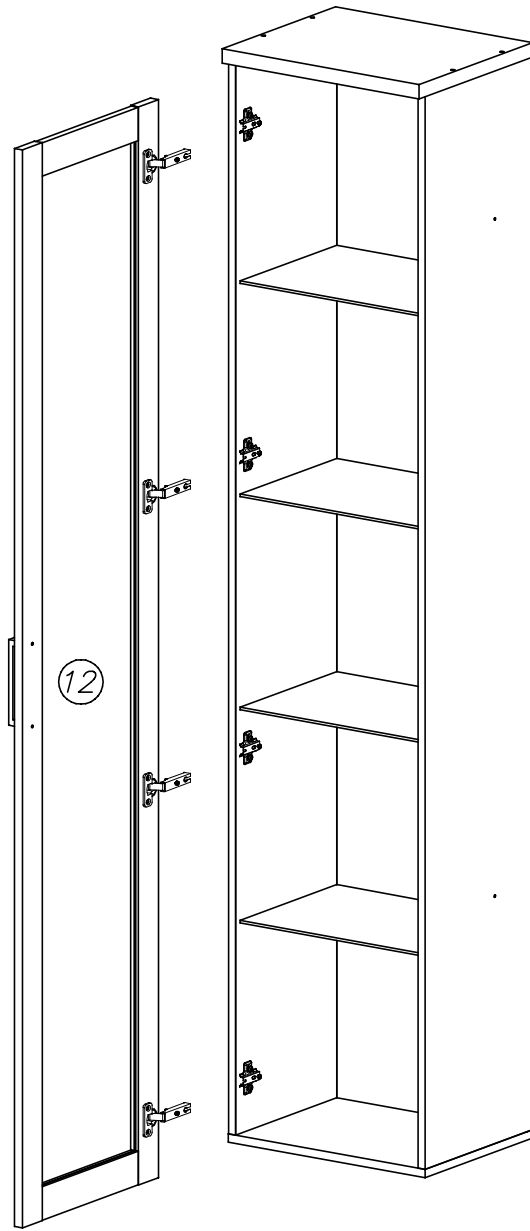


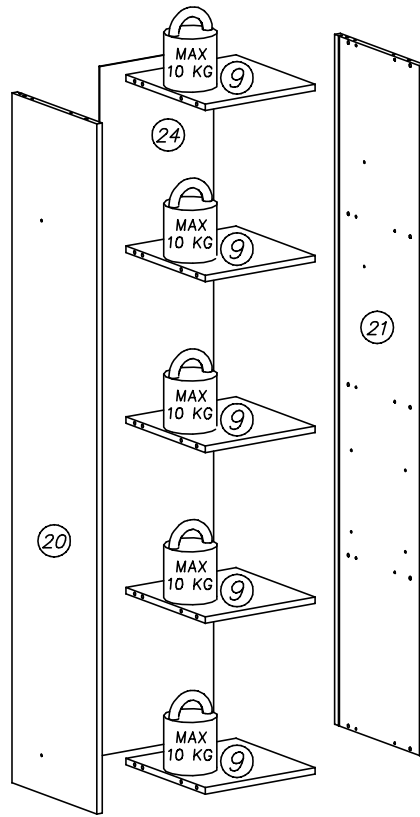
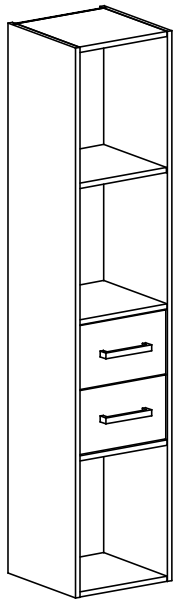
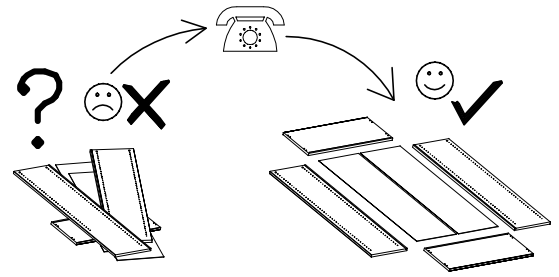
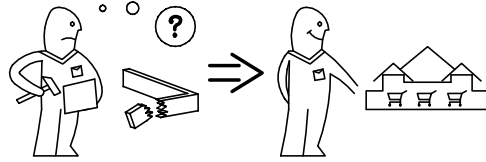
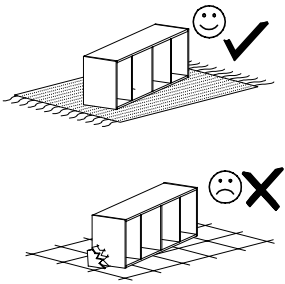
VII



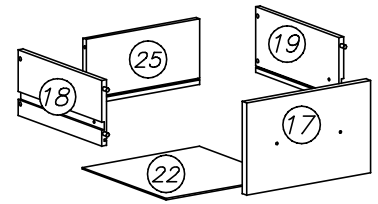


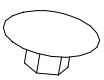
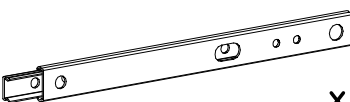





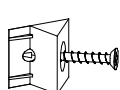
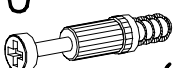

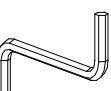


VII





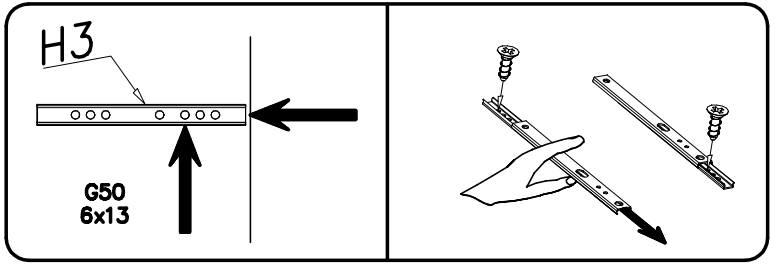
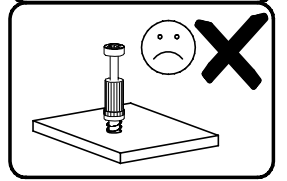
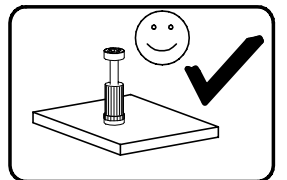
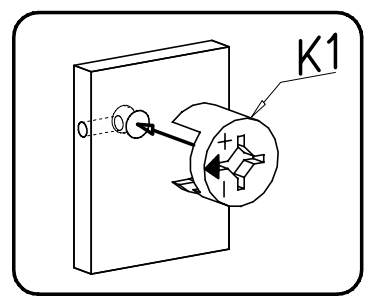
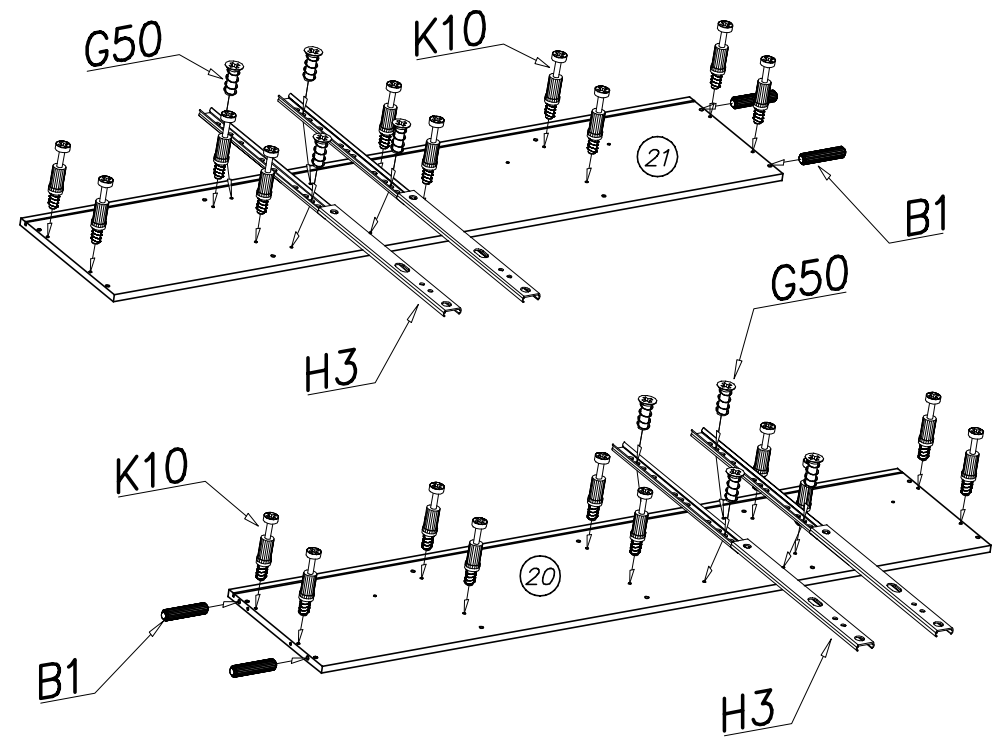
nr	L[mm]	B[mm]	T[mm]	Menge	Coll
9	318	328	16	5	5/7
17	312	197	16	2	5/7
18	300	140	12	2	5/7
19	300	140	12	2	5/7
20	1693	350	16	1	5/7
21	1693	350	16	1	5/7
22	295	301	3	2	5/7
24	1691	330	3	1	5/7
25	285	140	12	2	5/7



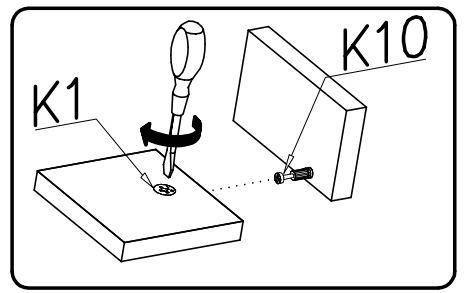
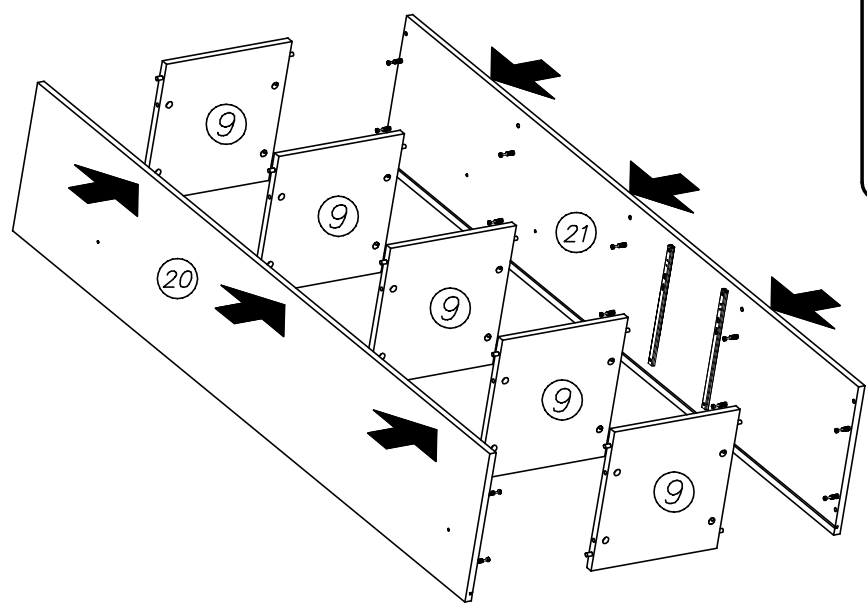
I7  ø18 x...(20)	H3  280mm x...(4)	G50  6x13 x...(8)	N1  M4x9 x...(4)
K1  ø15x12 x...(20)	G8  4x30 x...(4)	E17  160mm x...(2)	I1  x...(8)
K10  x...(20)	B1  ø8x35 x...(20)	W2  x...(1)	W1  x...(1)
			A6  ø7x40 x...(8)



I

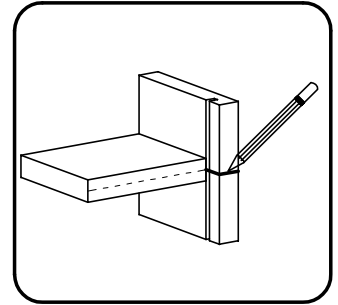
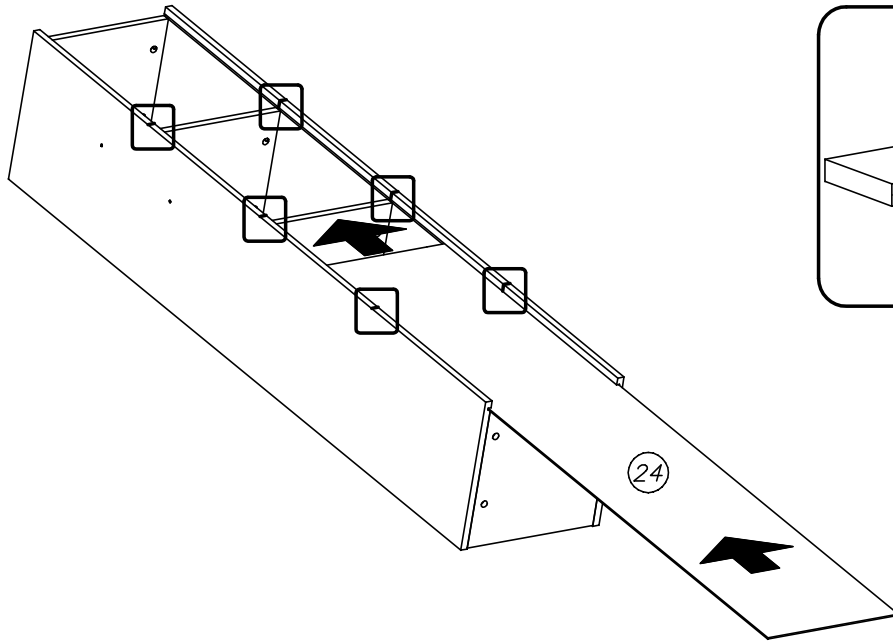


II

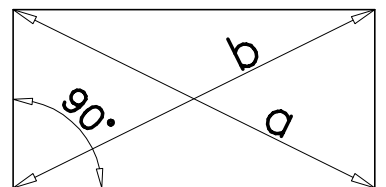
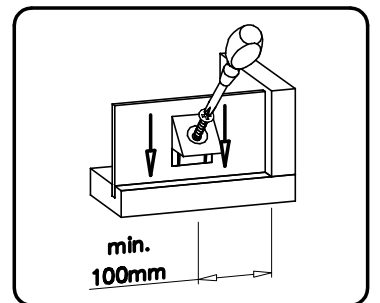
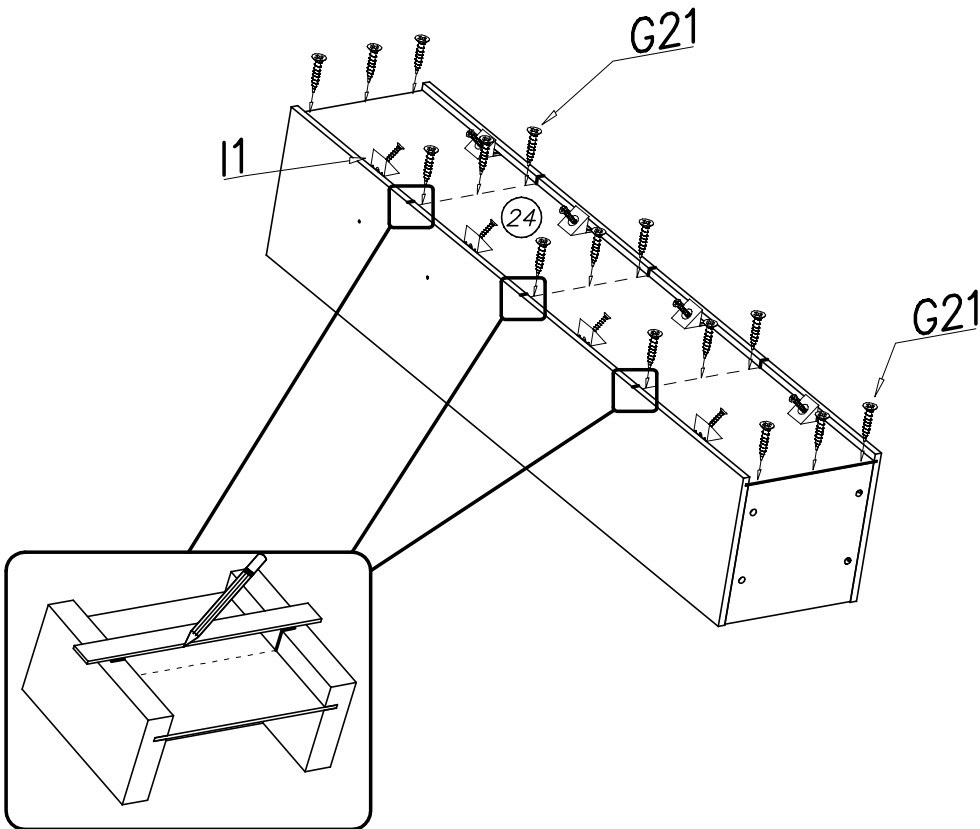




III



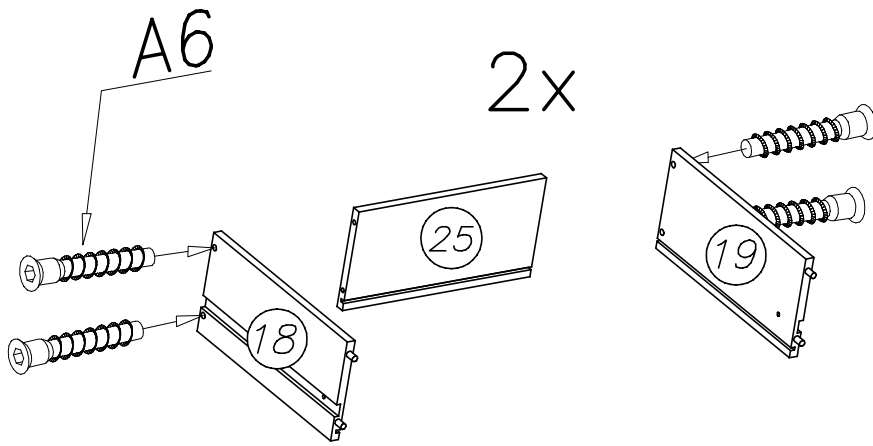
IV



$a = b$

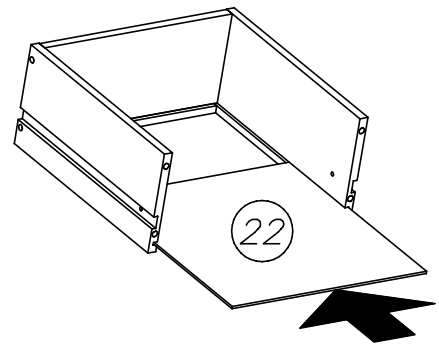


V

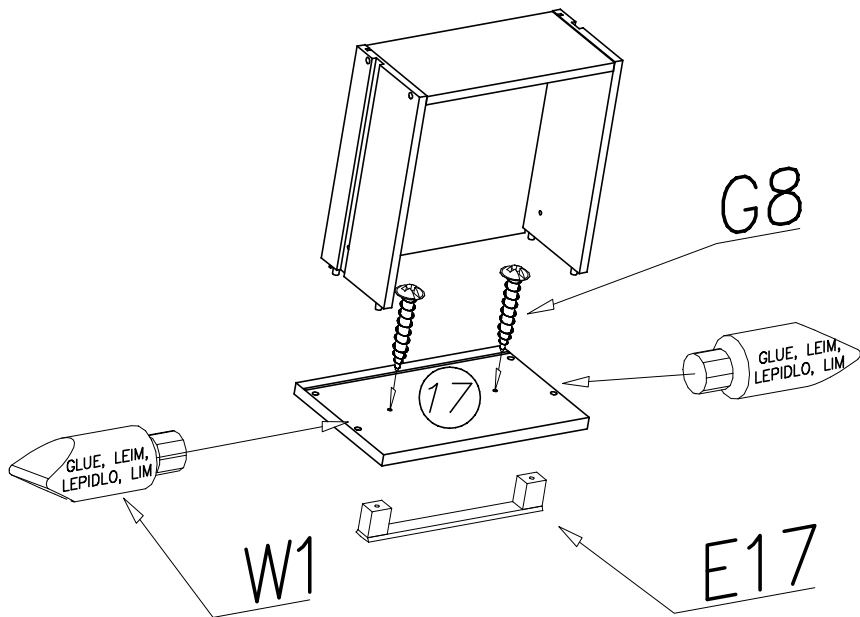


2x

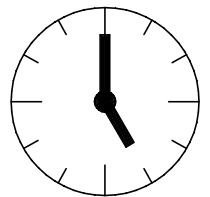
2x



2x

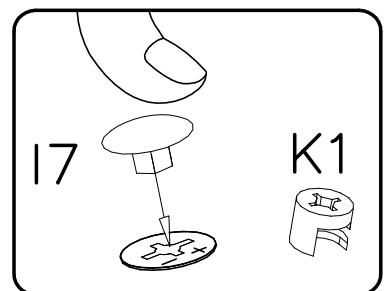
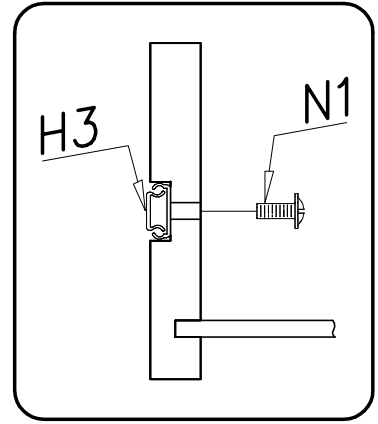
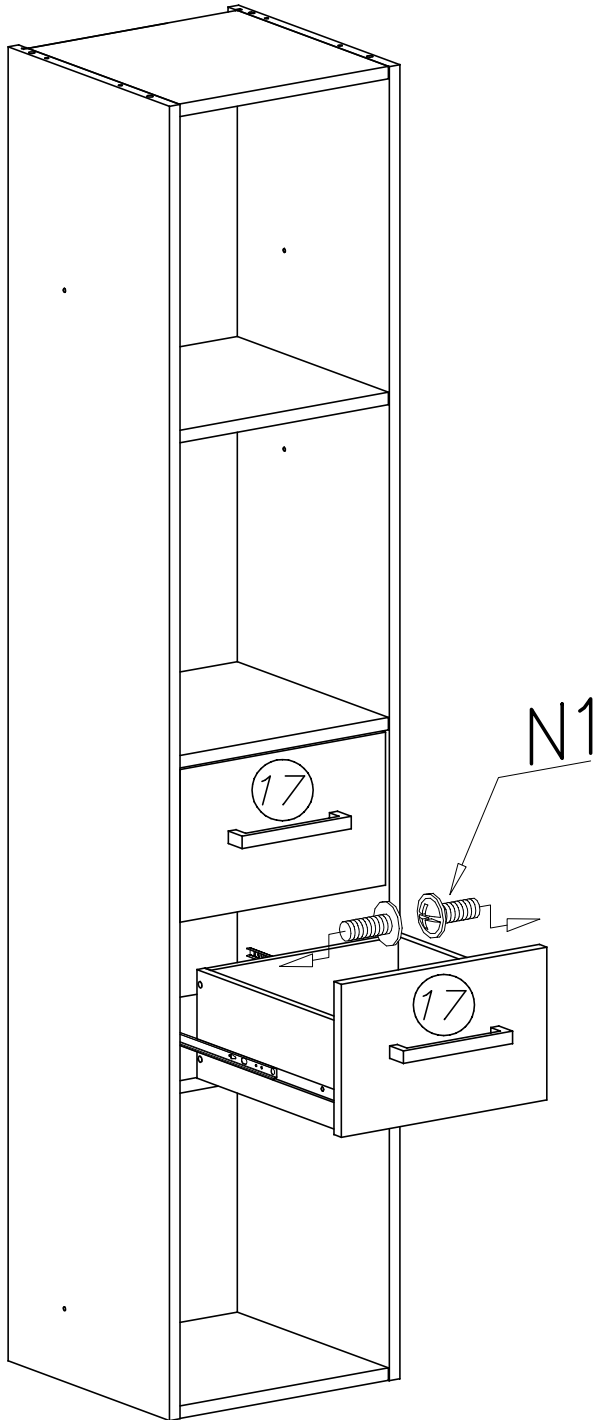


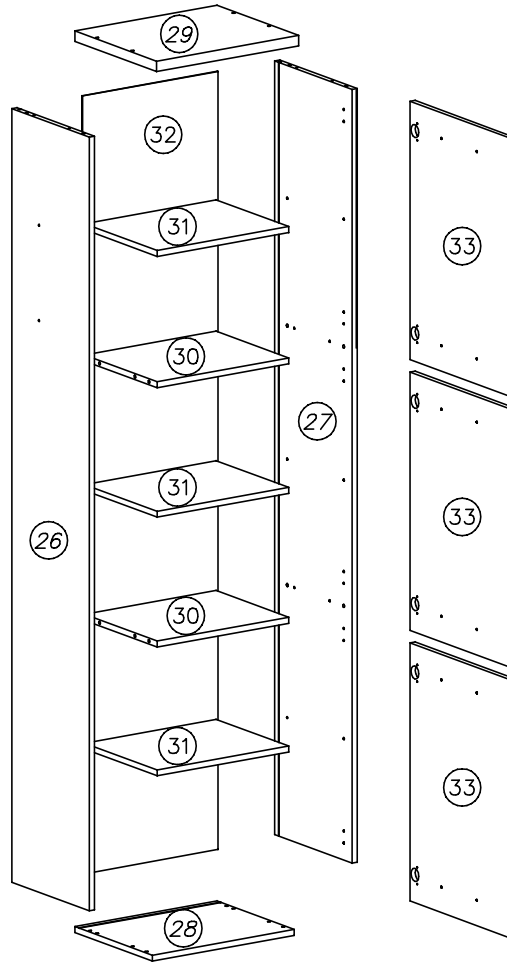
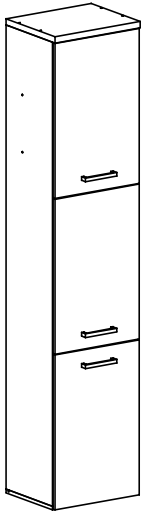
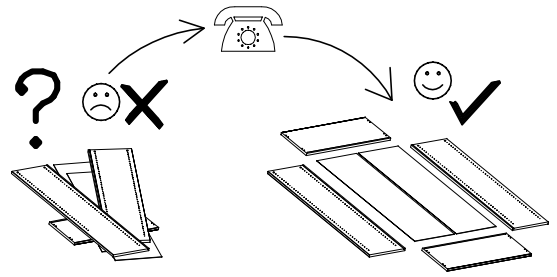
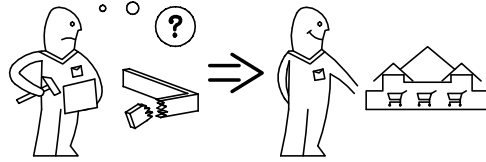
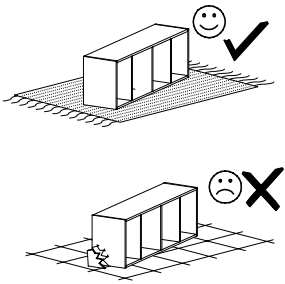
0,5h



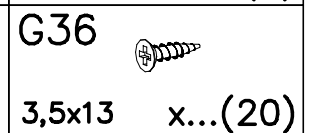
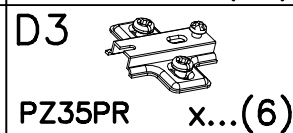
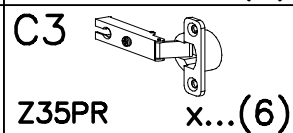
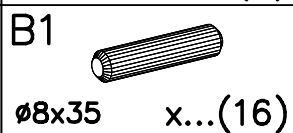
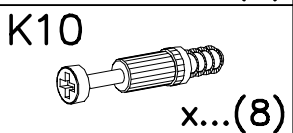
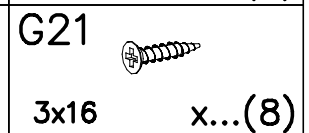
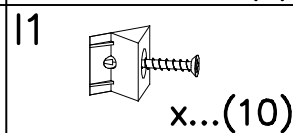
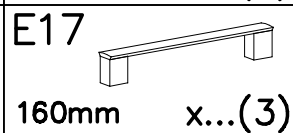
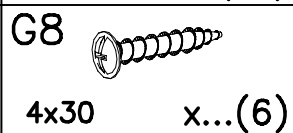
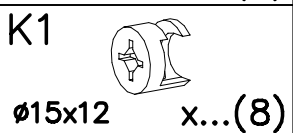
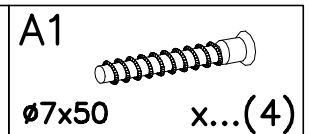
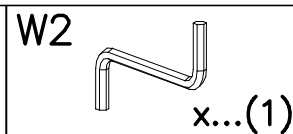
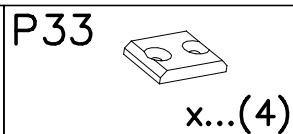
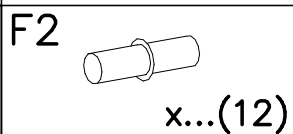
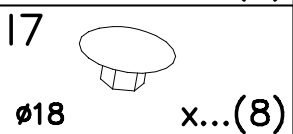
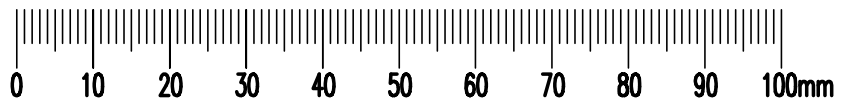
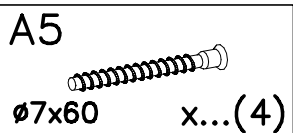


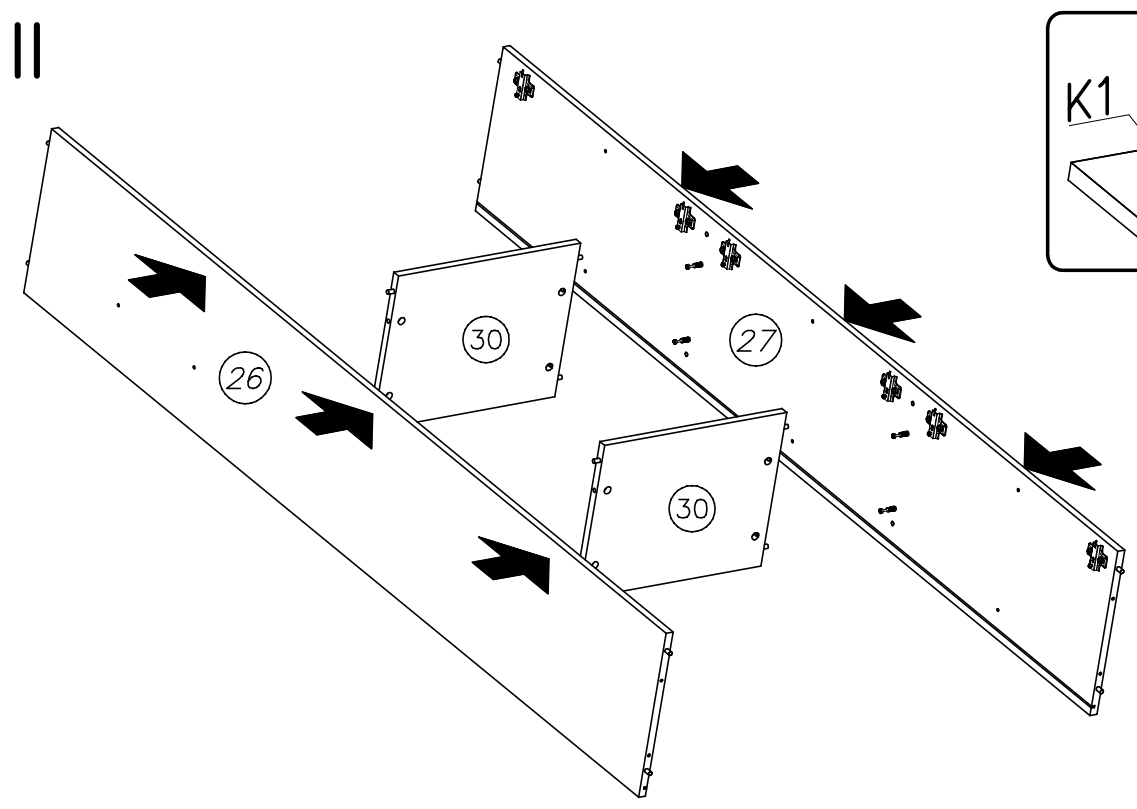
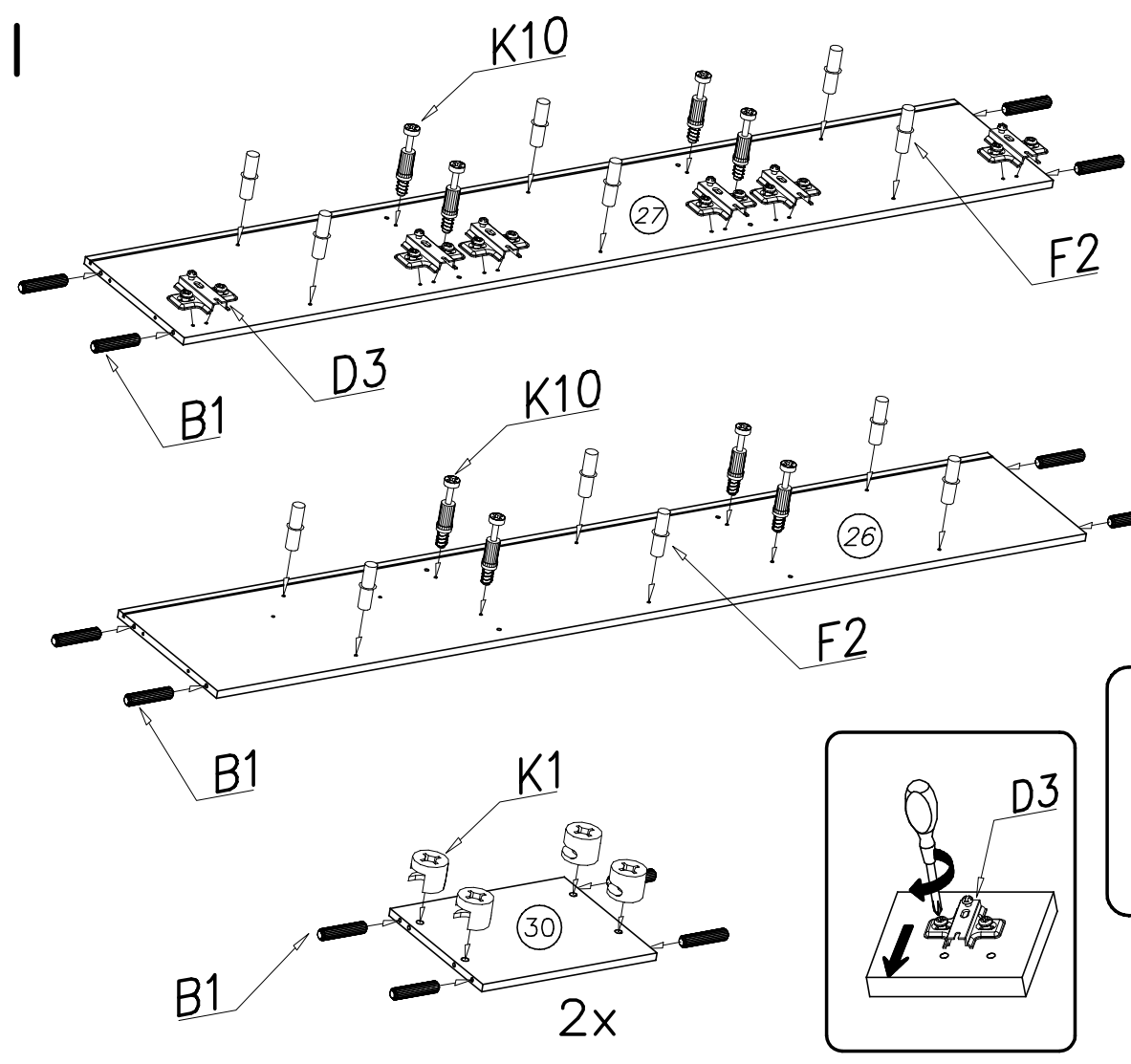
VI

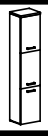




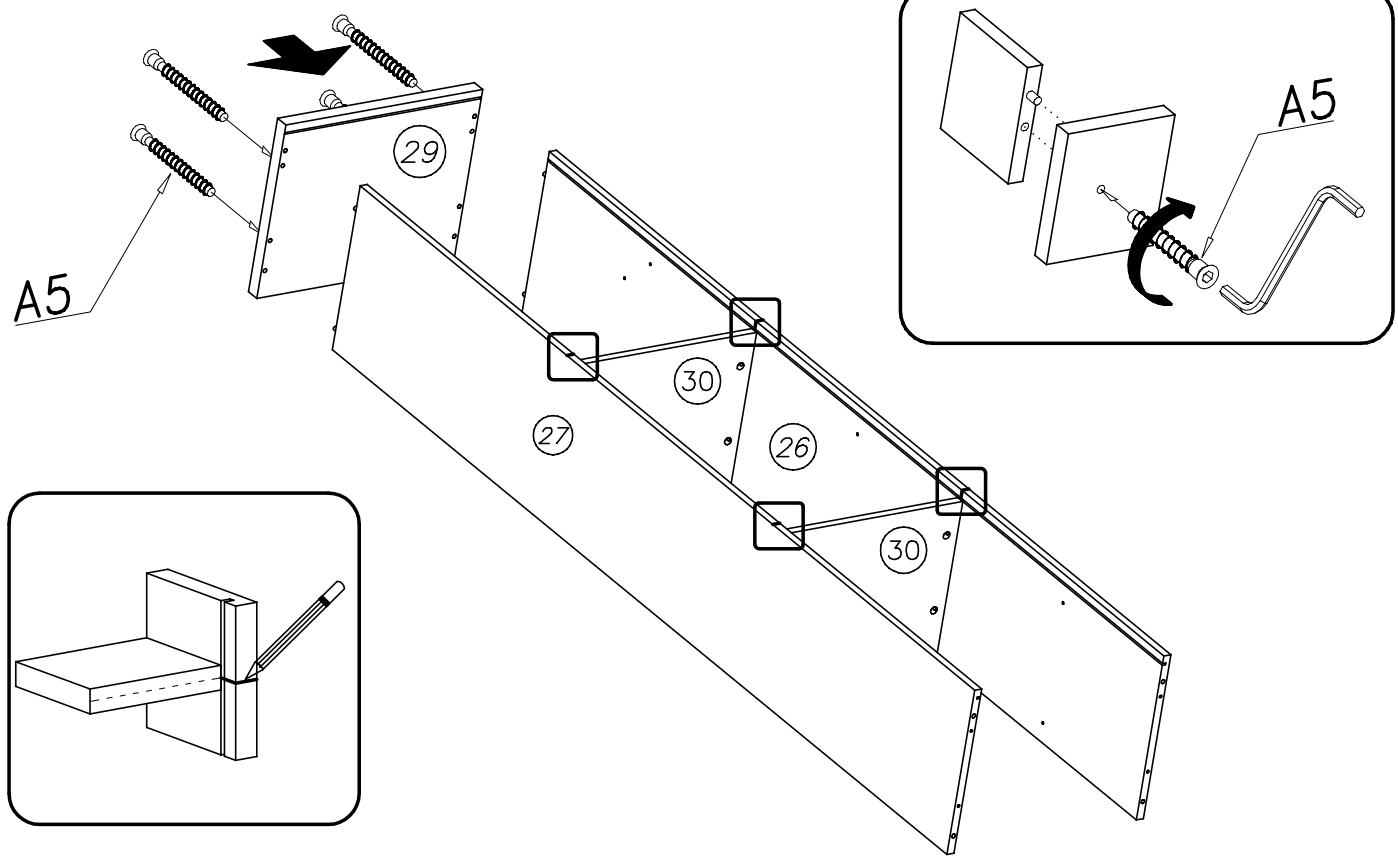
nr	L[mm]	B[mm]	T[mm]	Menge	Coll
26	2079	350	16	1	6/7
27	2079	350	16	1	6/7
28	450	350	16	1	6/7
29	450	370	28	1	4/7
30	417	328	16	2	7/7
31	417	320	16	3	7/7
32	2091	429	3	1	3/7
33	444	694	16	3	7/7



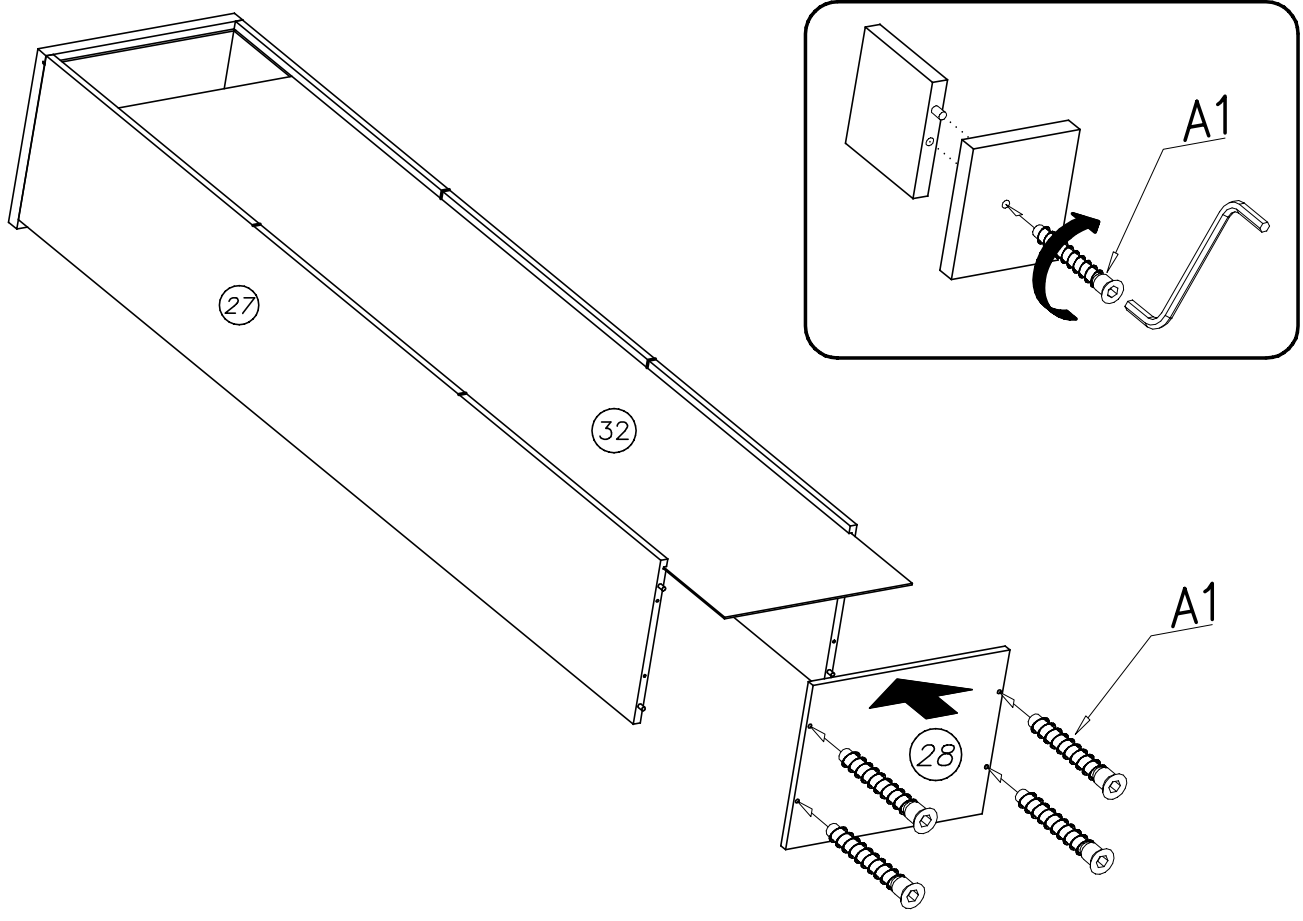


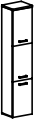


III

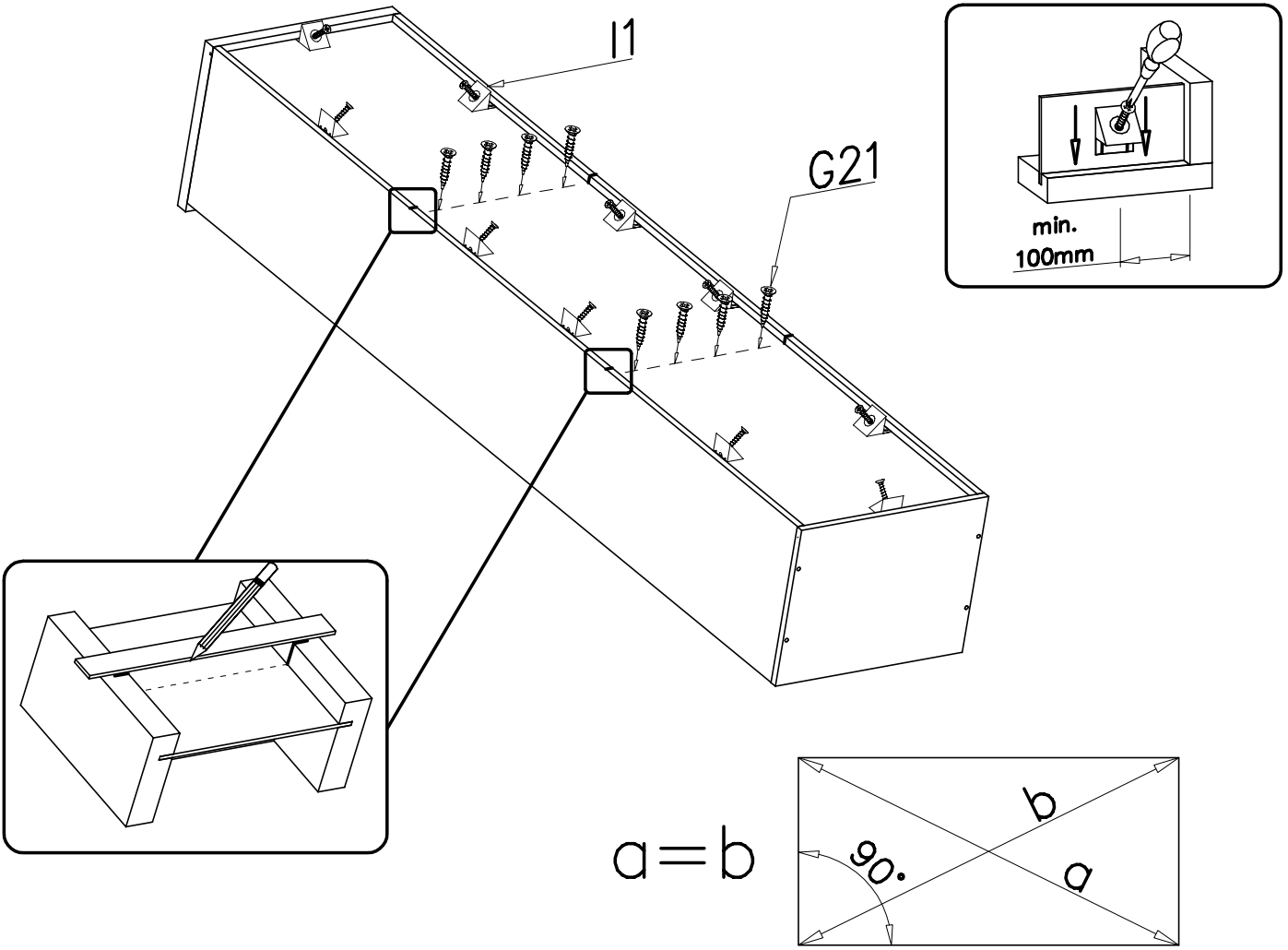


IV

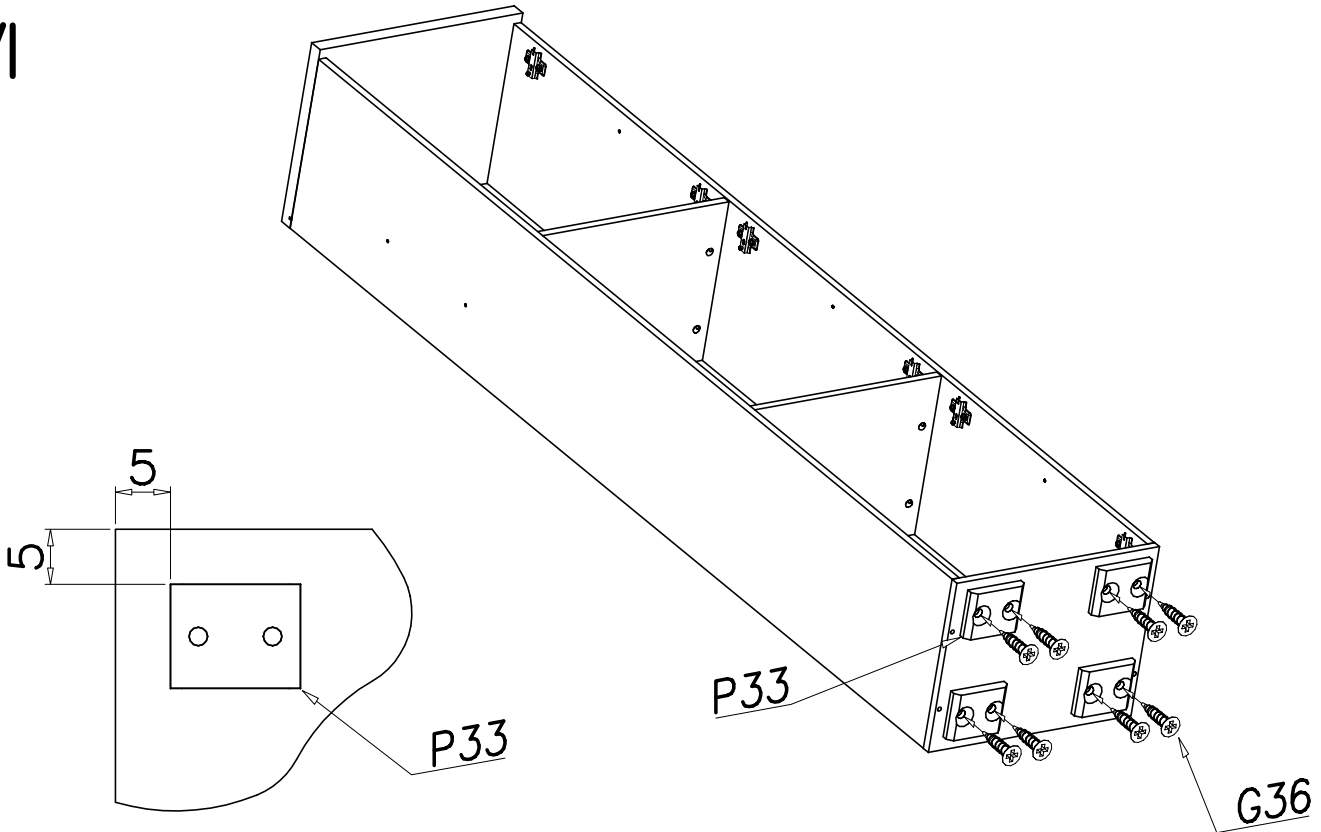


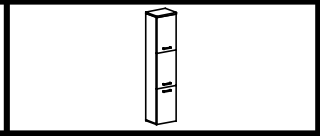


V

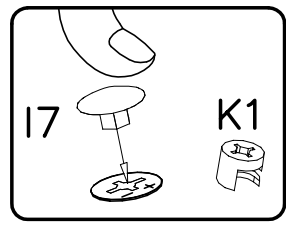
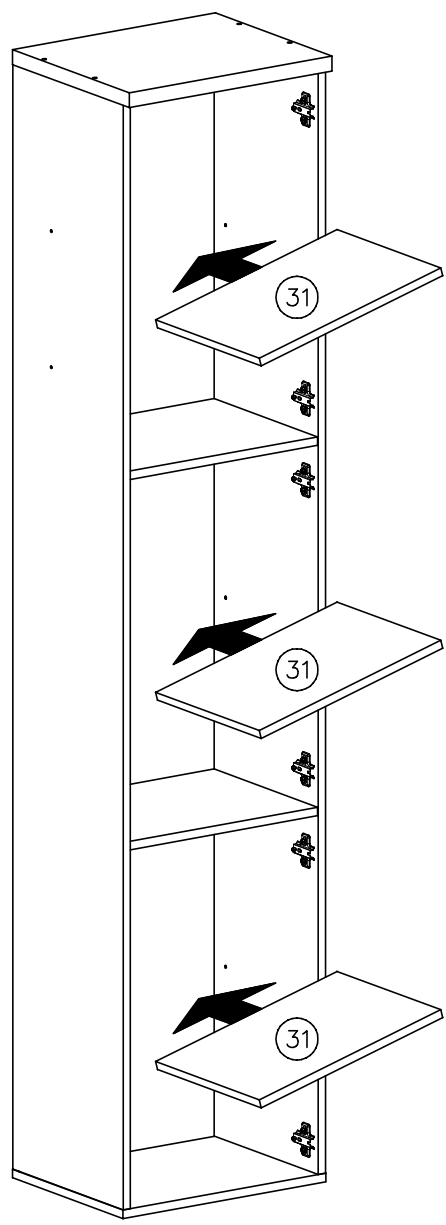


VI

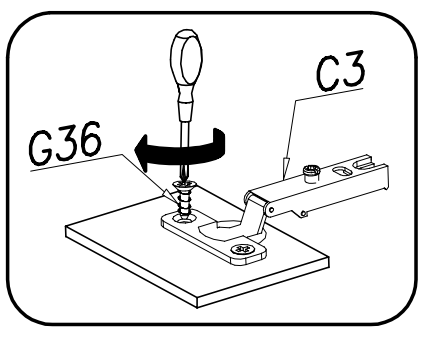
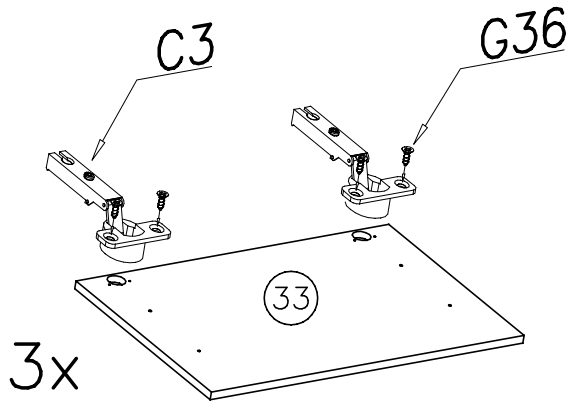


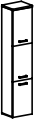


VII

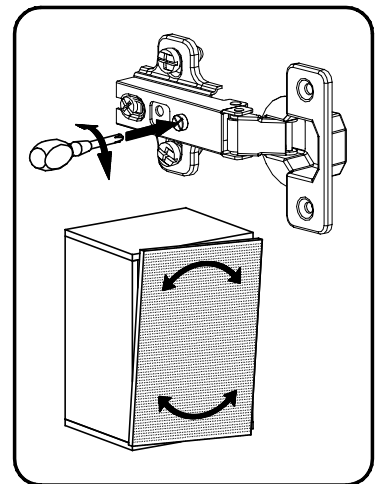
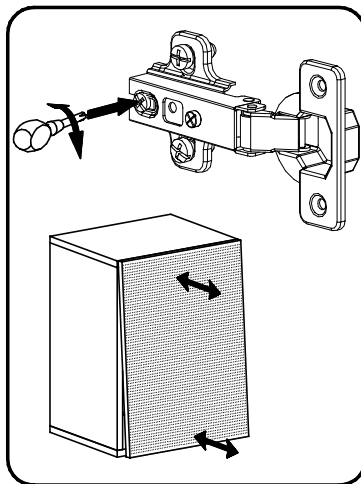
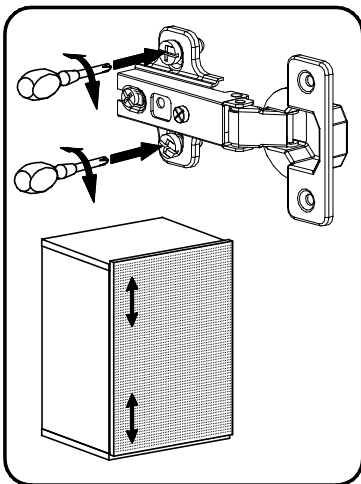
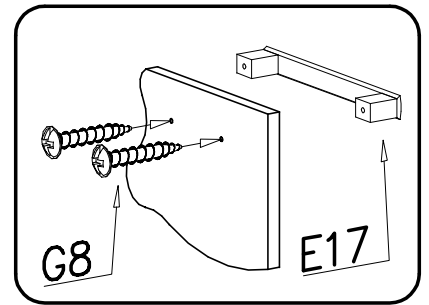
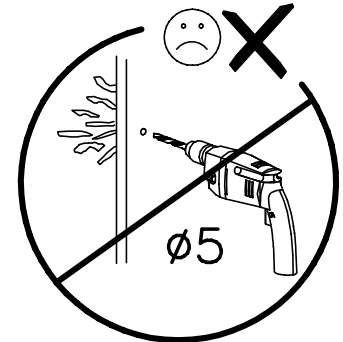
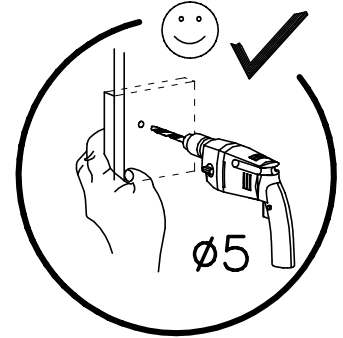
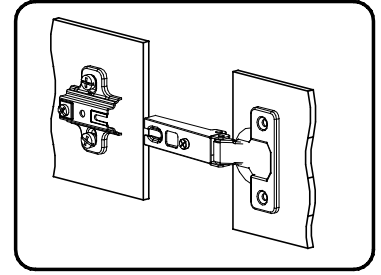
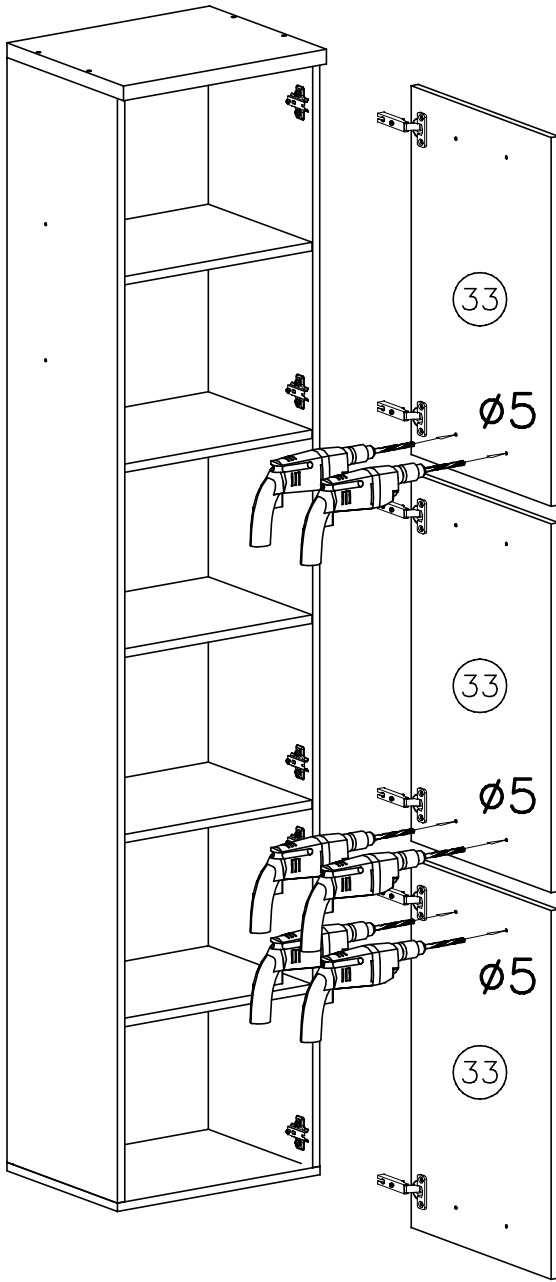


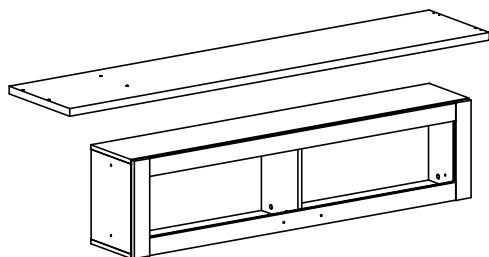
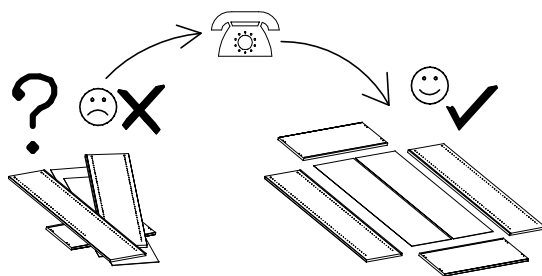
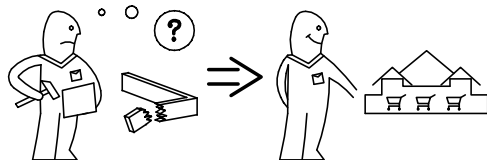
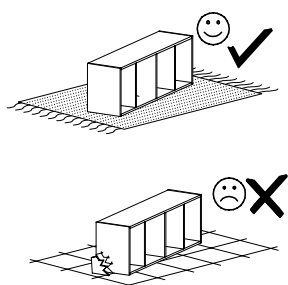
VIII





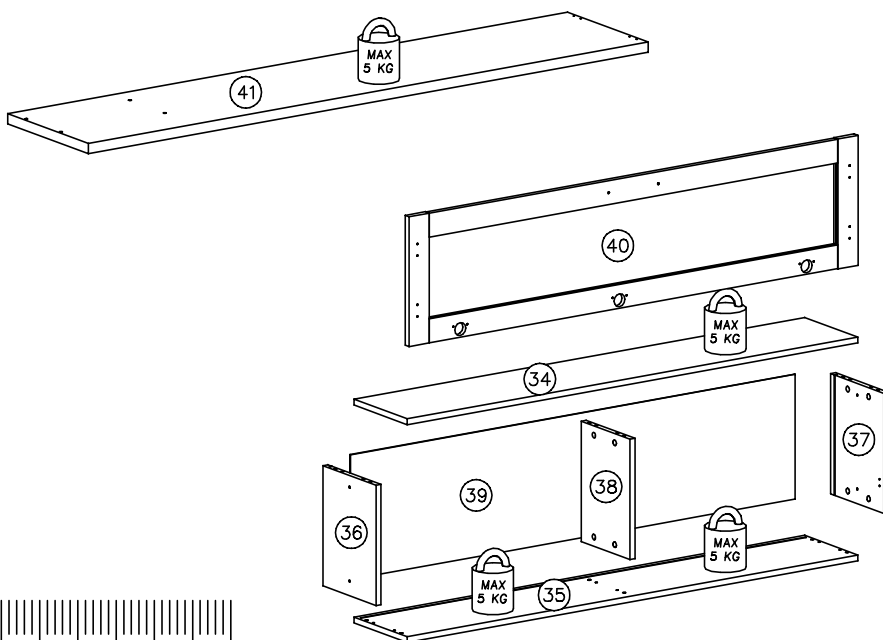
IX

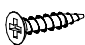
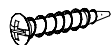

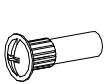
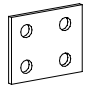


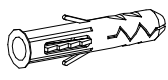
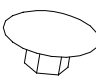



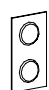


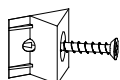
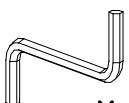
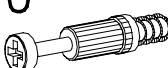

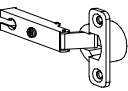
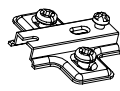



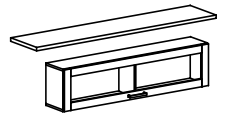


nr	L[mm]	B[mm]	T[mm]	Menge	Colli
34	1450	244	16	1	3/7
35	1450	244	16	1	3/7
36	328	244	16	1	3/7
37	328	244	16	1	3/7

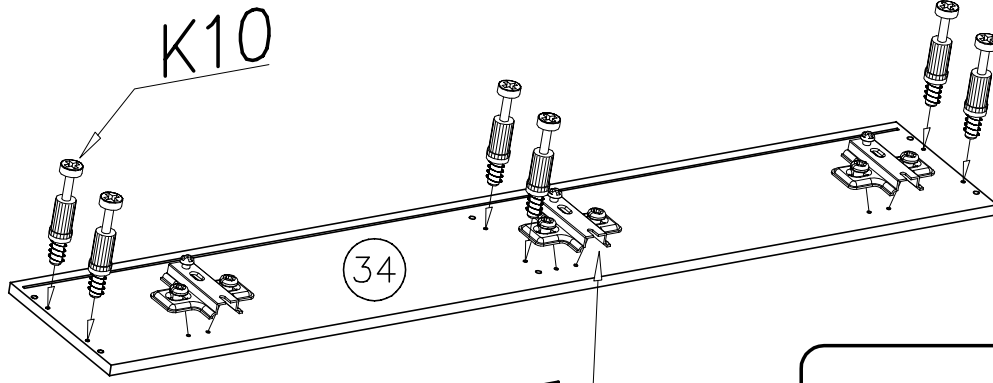
nr	L[mm]	B[mm]	T[mm]	Menge	Colli
38	328	224	16	1	7/7
39	1429	340	3	1	6/7
40	1444	354	18	1	6/7
41	1800	370	28	1	5/7



		G21  3x16 x...(3)	G32  3,5x16 x...(10)	A5  ø7x60 x...(4)
N7  M4x15 x...(6)	M1  x...(2)	G28  4x60 x...(2)	M11  x...(2)	U6  ø8x40 x...(2)
I7  ø18 x...(12)	E17  160mm x...(1)	L7  80N x...(2)	G8  4x30 x...(2)	W3  x...(2)
K1  ø15x12 x...(12)	G12  4x25 x...(8)		I1  x...(8)	W2  x...(1)
K10  x...(12)	B1  ø8x35 x...(12)	C3  Z35PR x...(3)	D3  PZ35PR x...(3)	G36  3,5x13 x...(10)

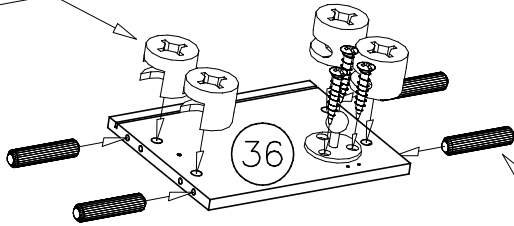


I

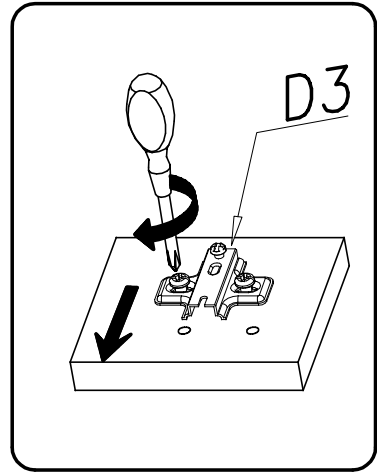


C3

K1

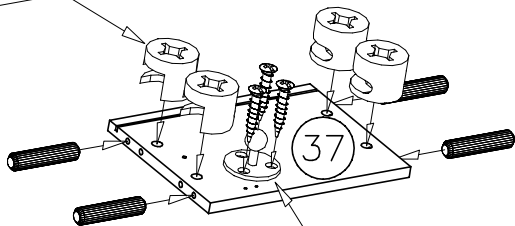


B1



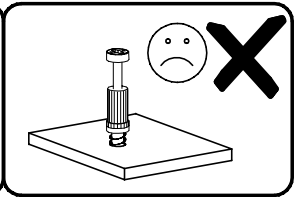
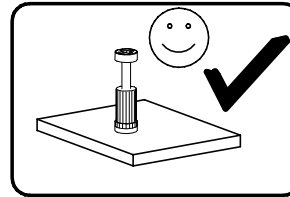
D3

K1

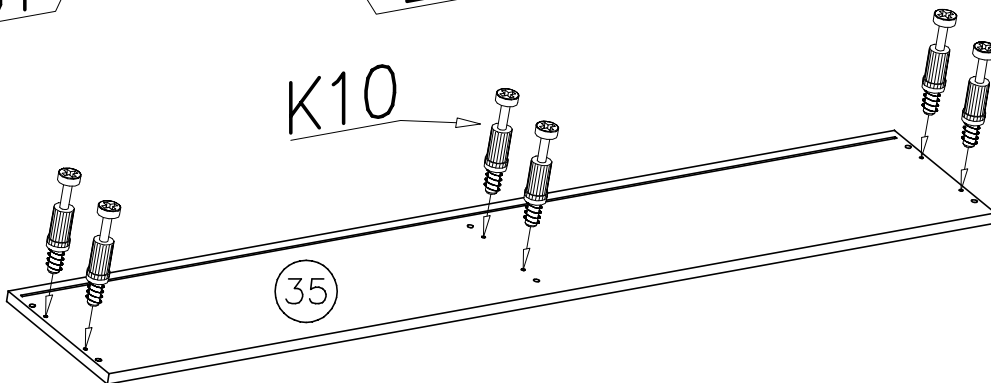


B1

L7+G32

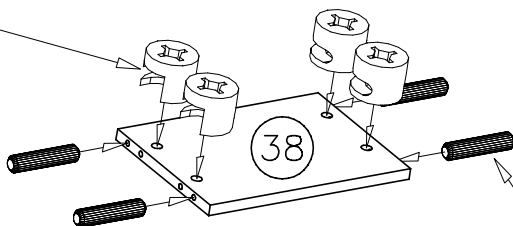


K10

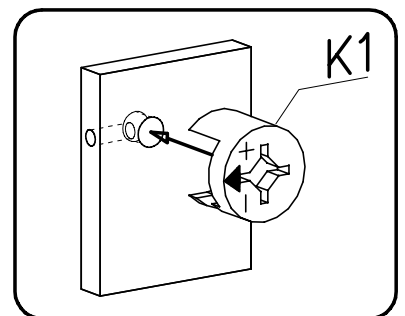


35

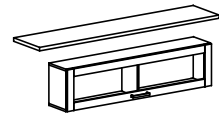
K1



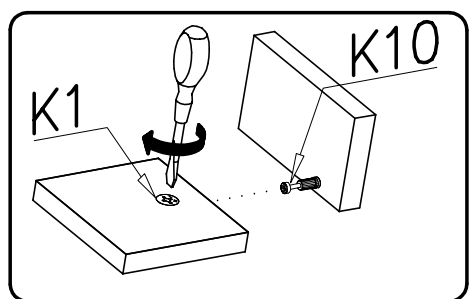
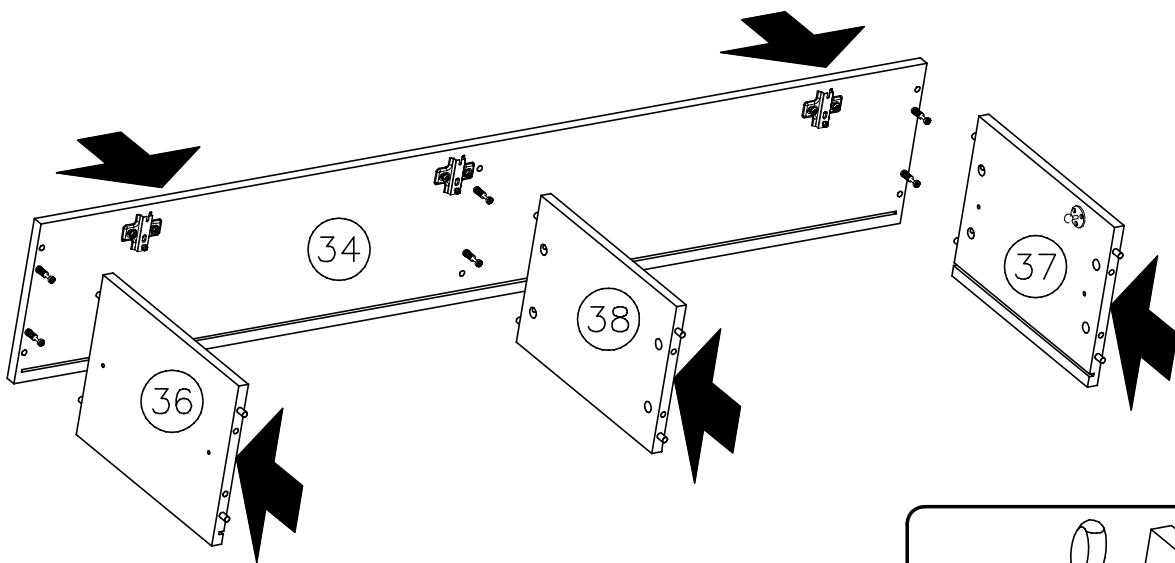
B1



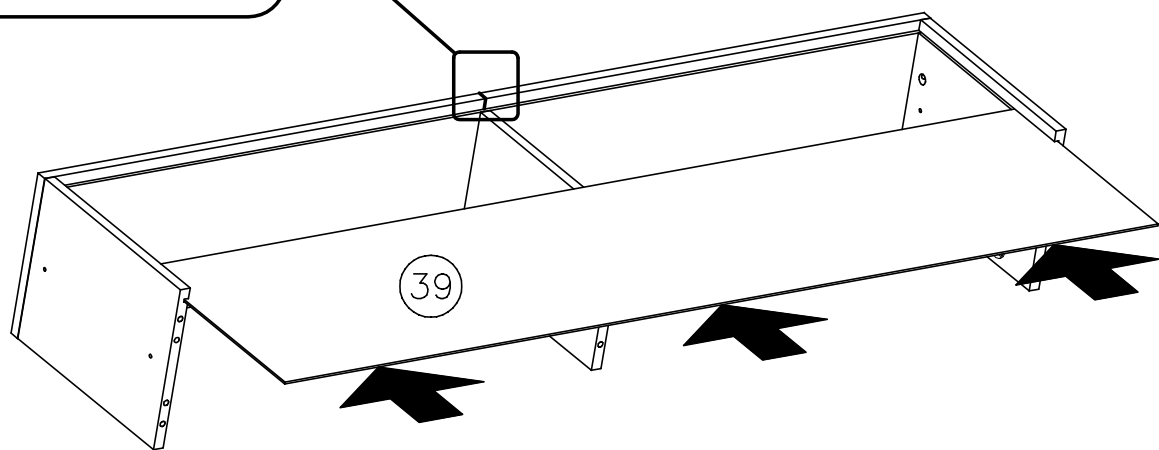
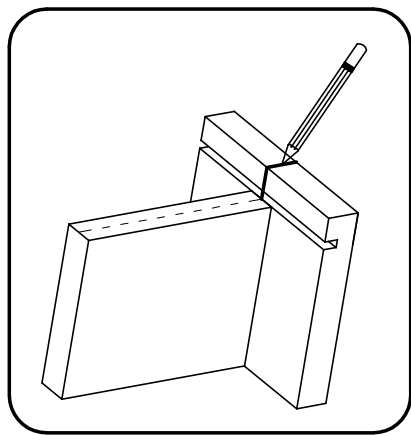
K1

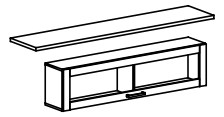


II

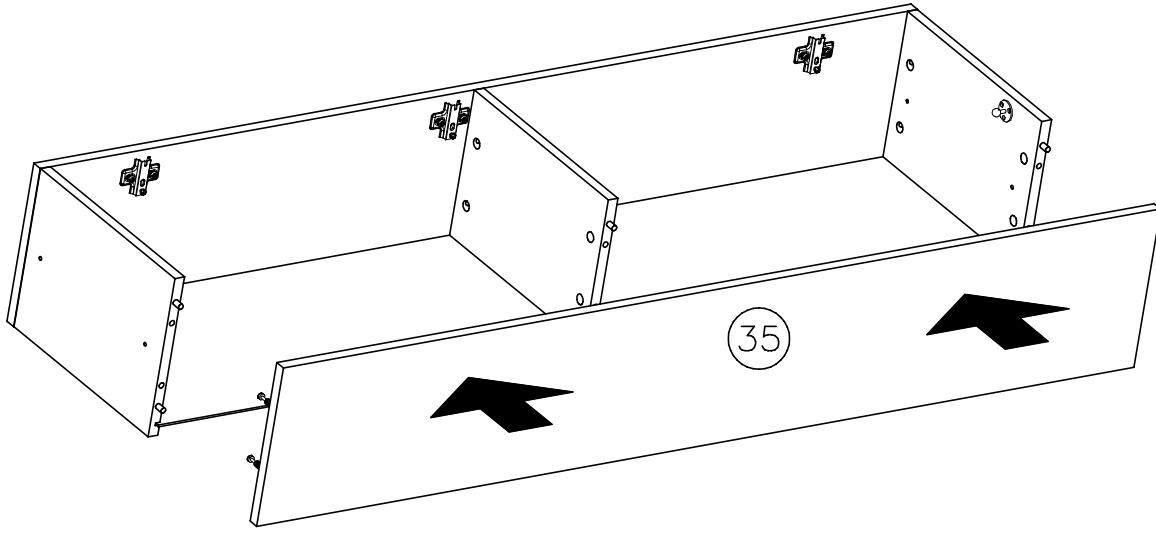


III

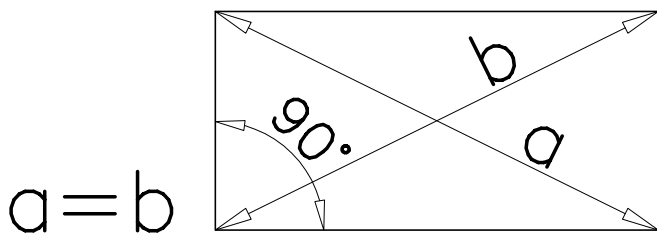
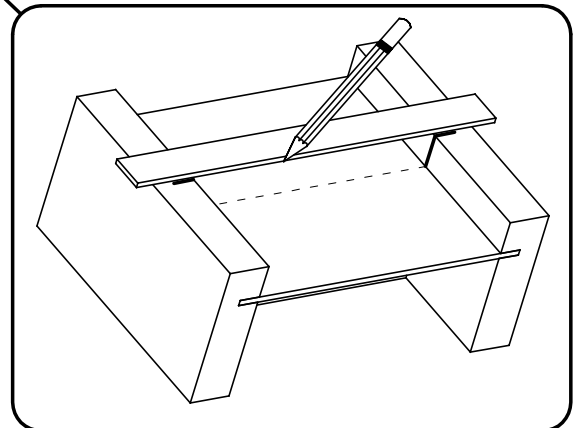
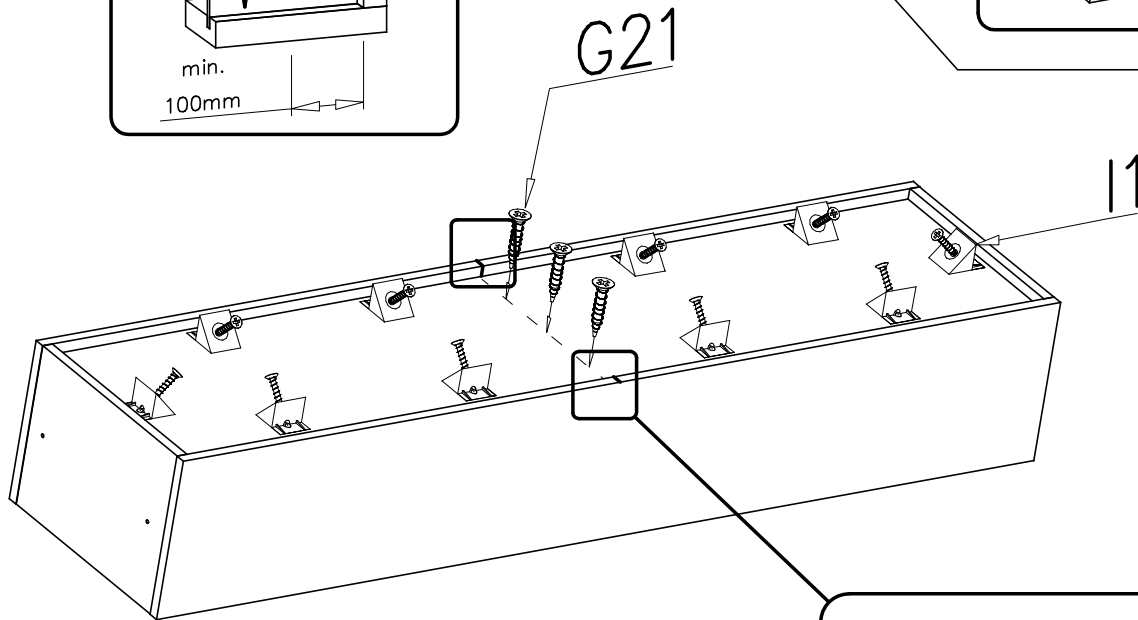
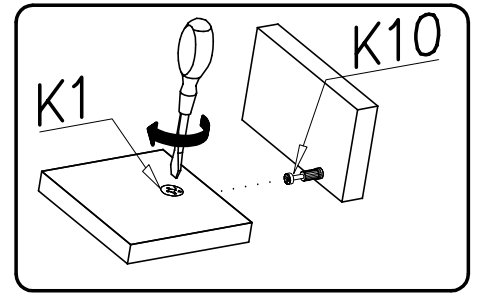
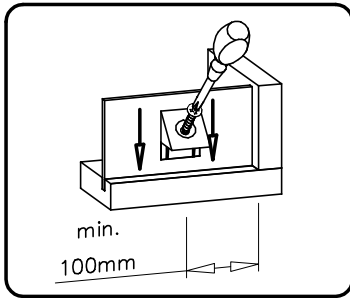


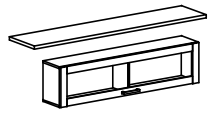


IV

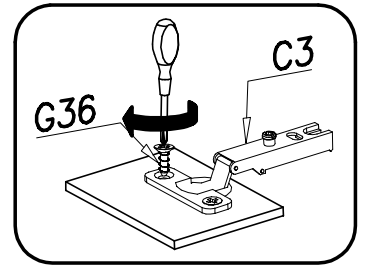
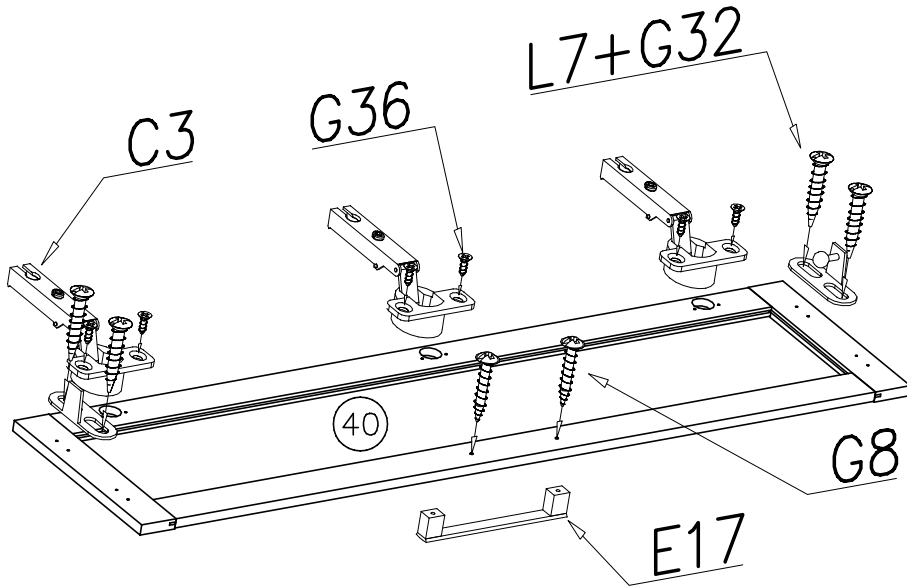


V

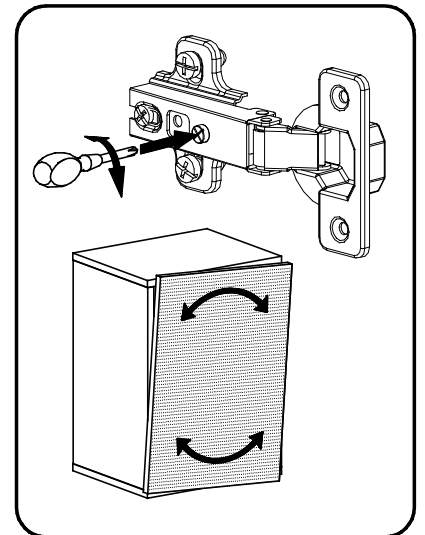
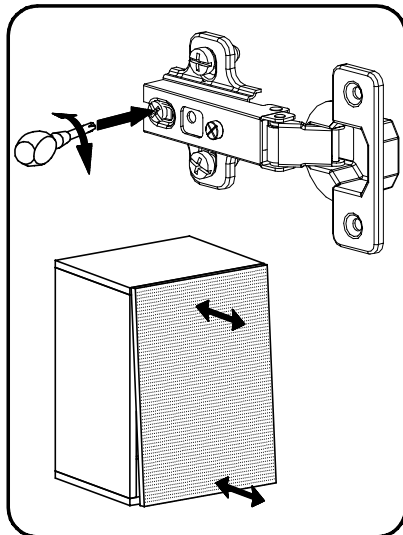
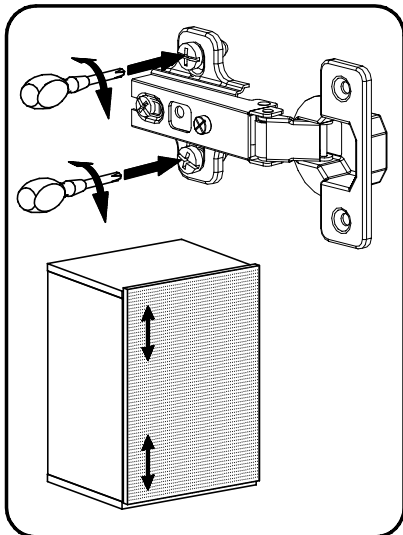
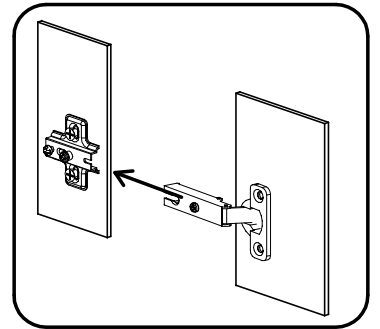
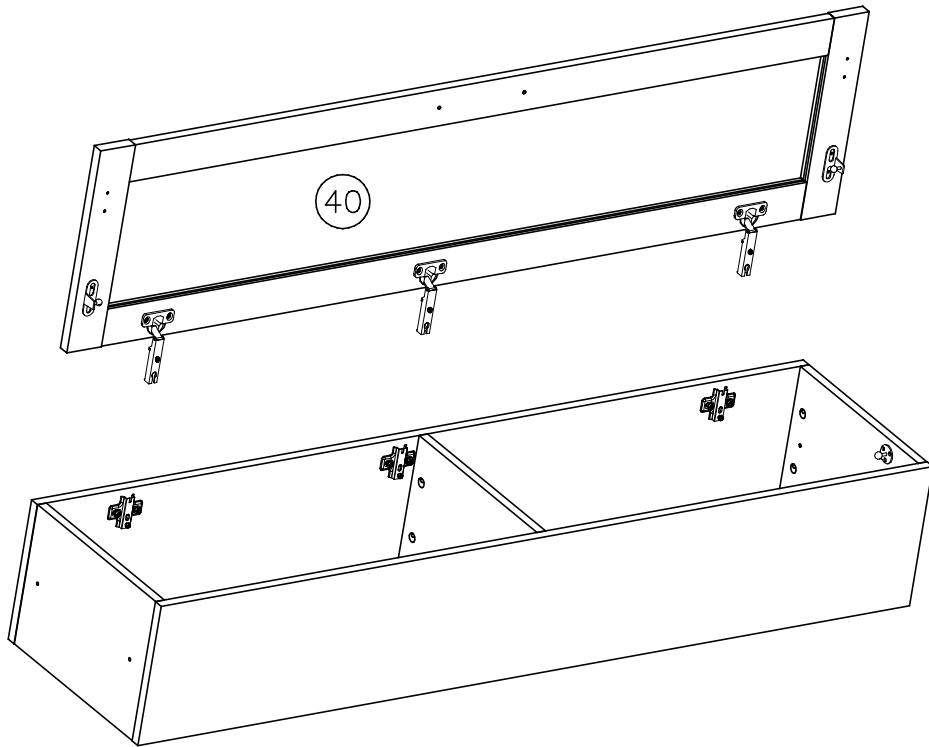


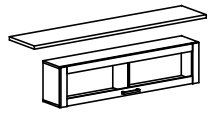


VI

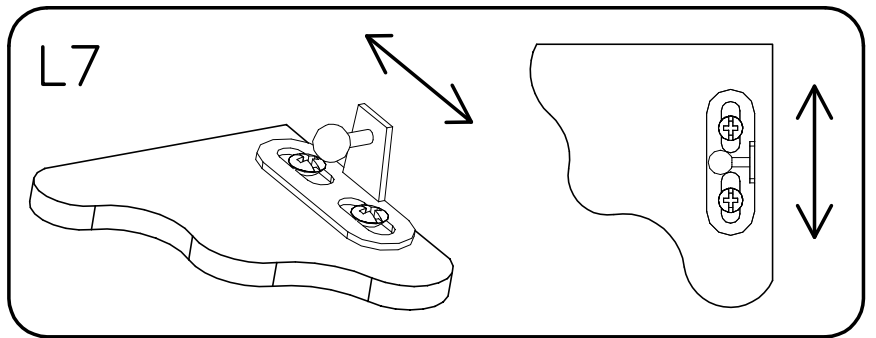
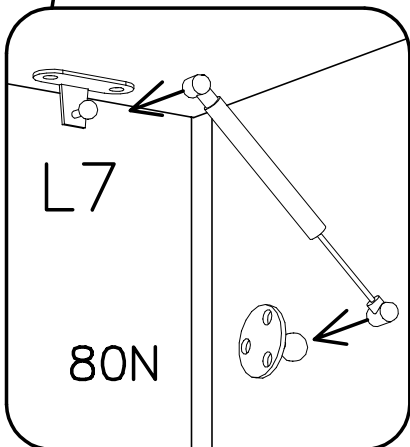
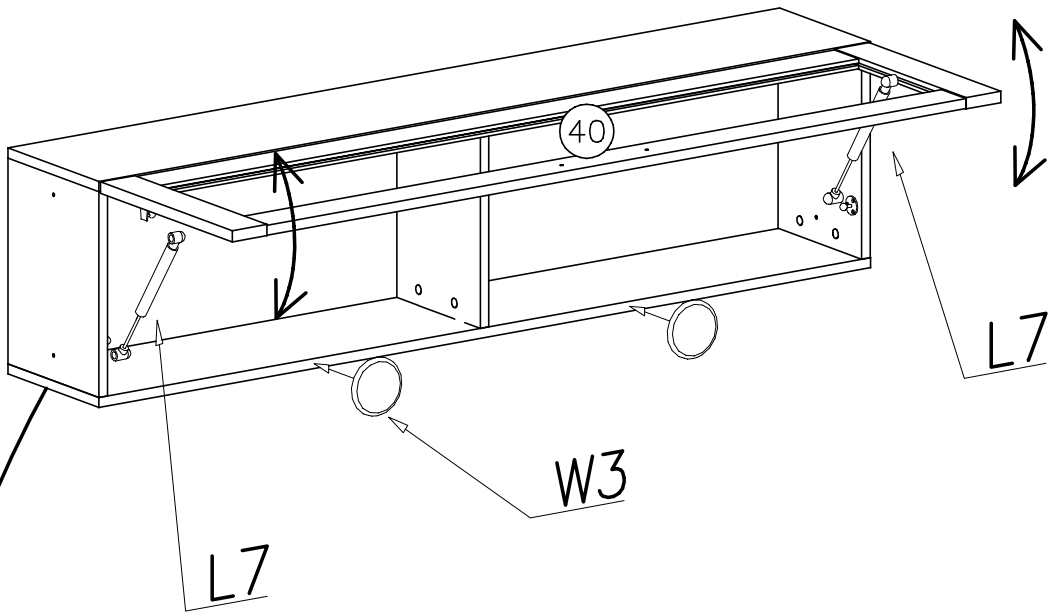
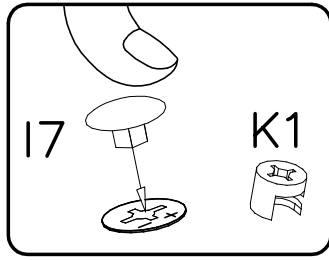


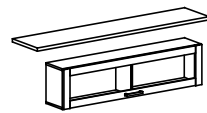
VII



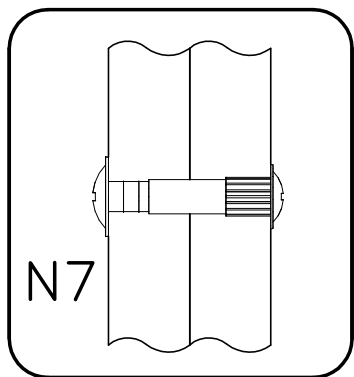


VIII





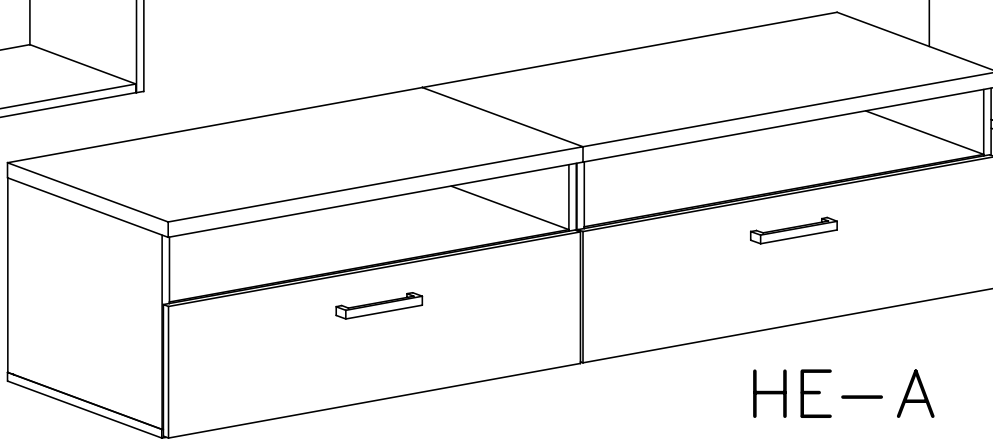
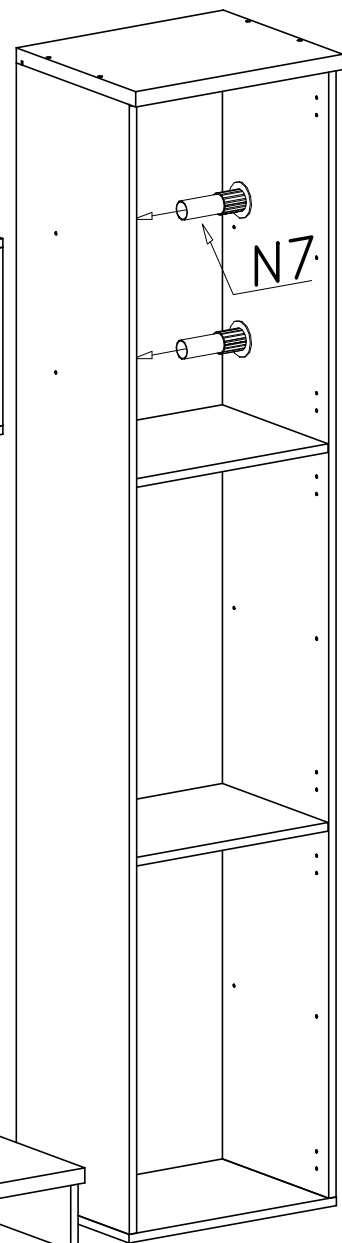
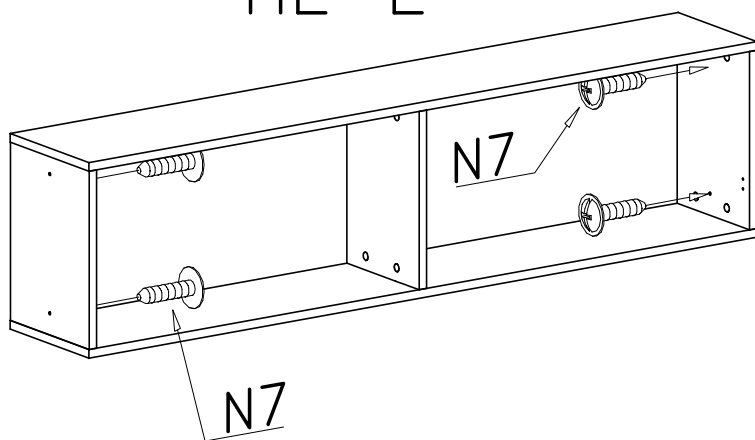
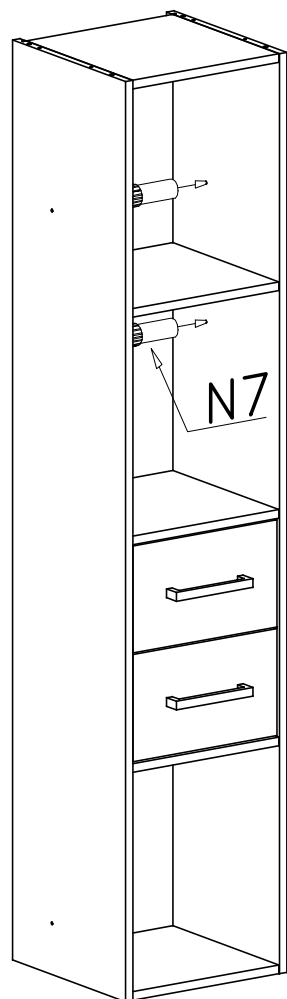
IX



HE-D

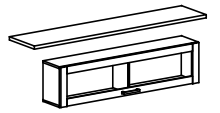
HE-C

HE-E

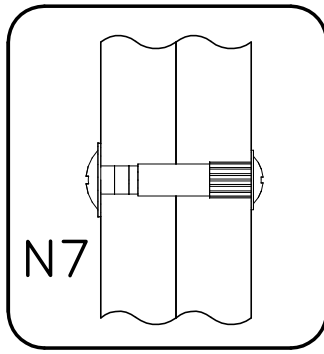


HE-A

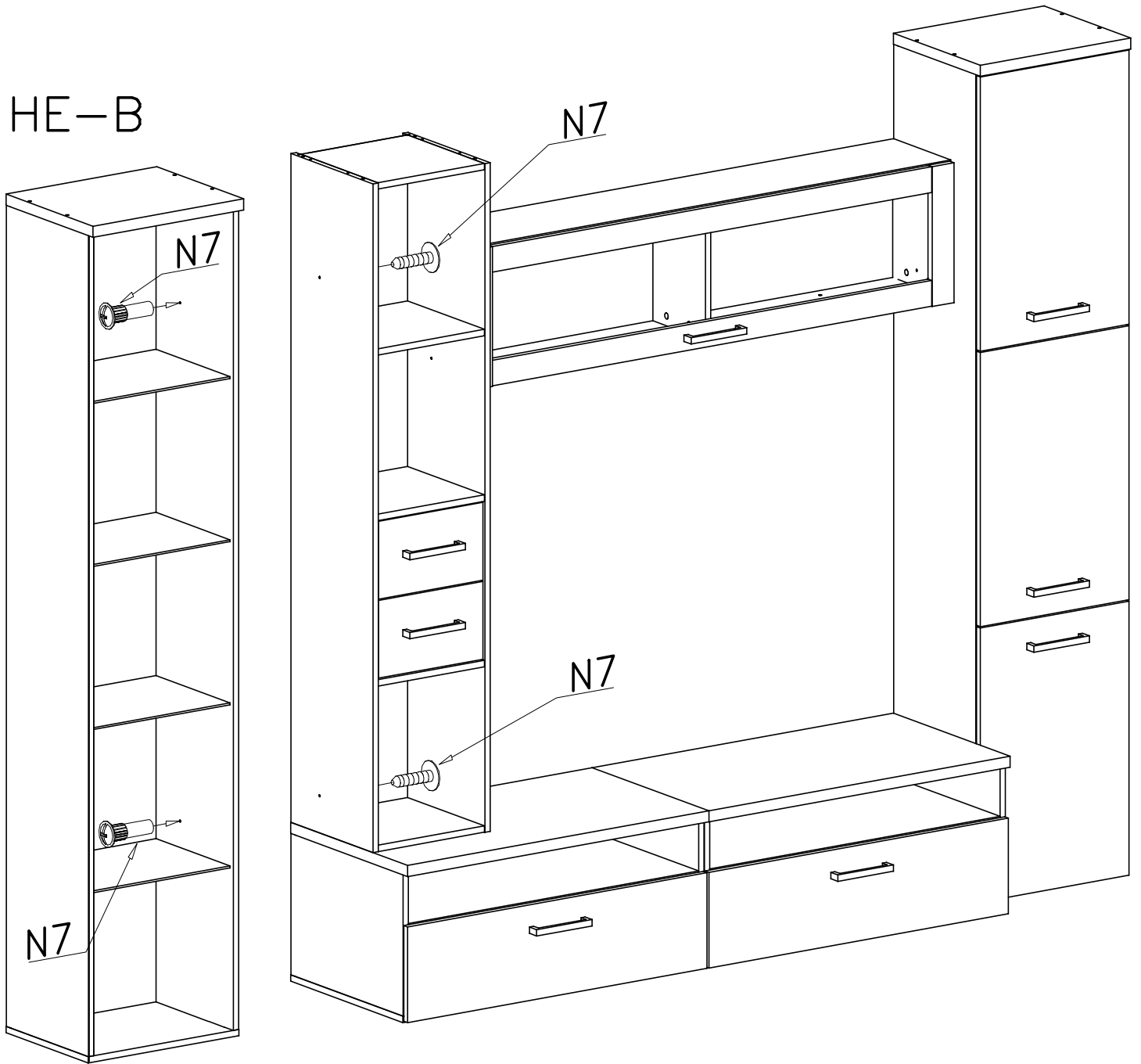
HE-A

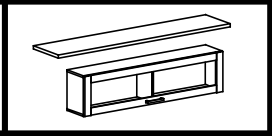


X

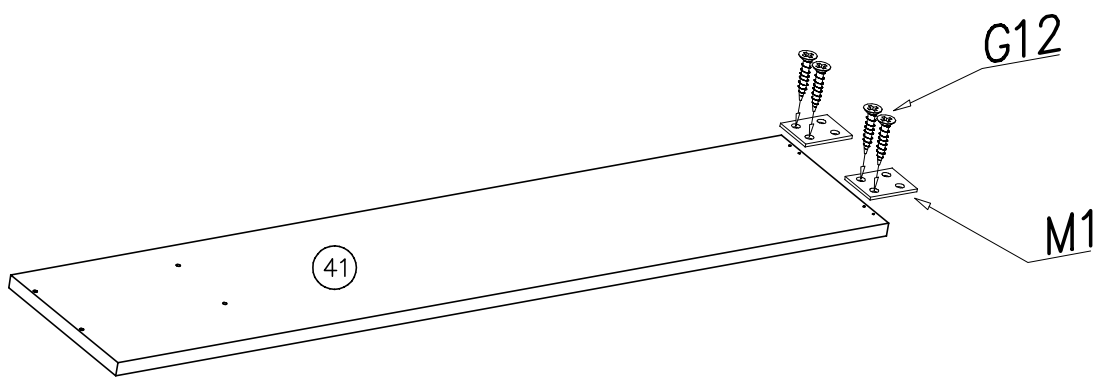


HE-B

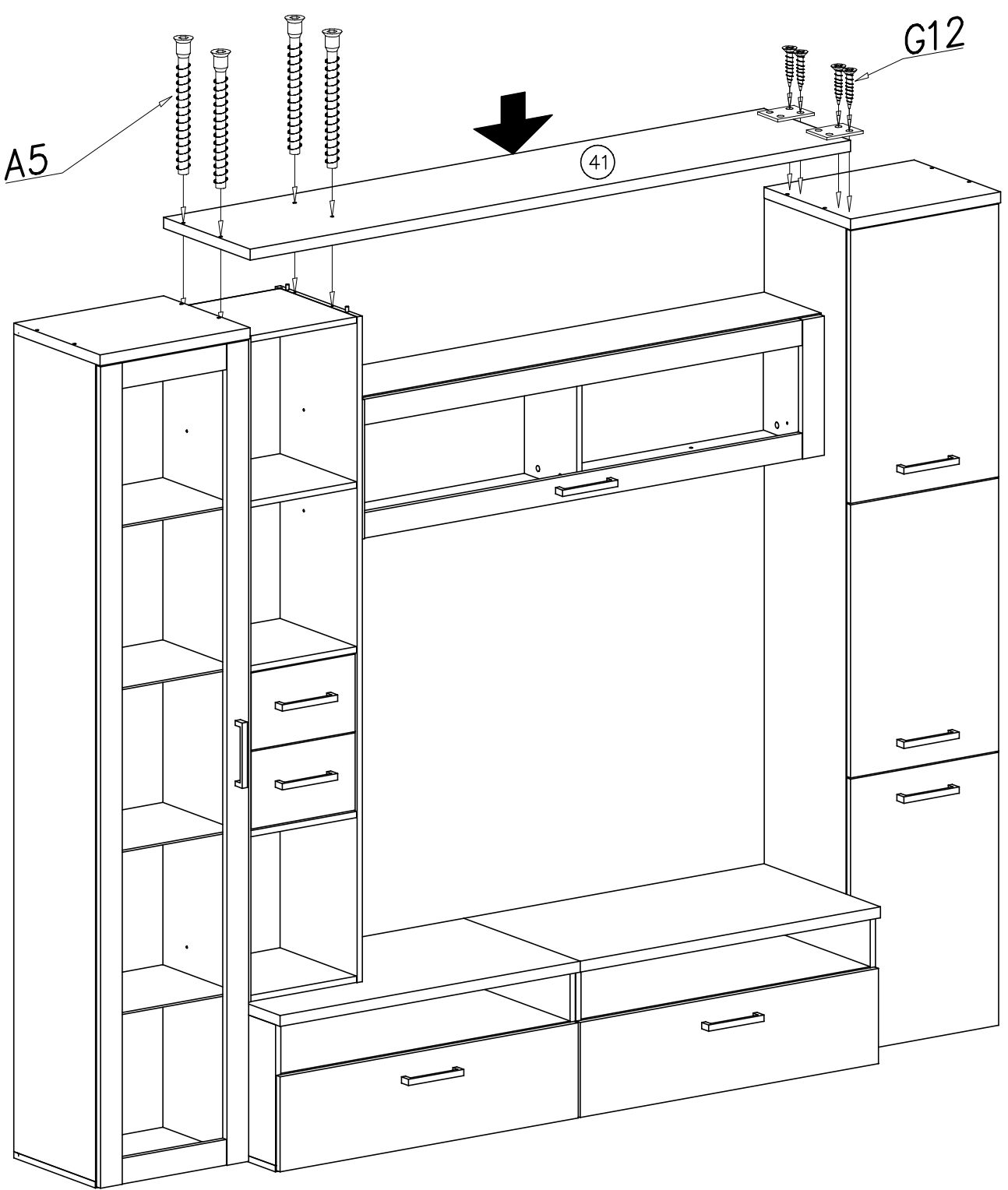


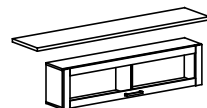


XI



XII





XIII

