

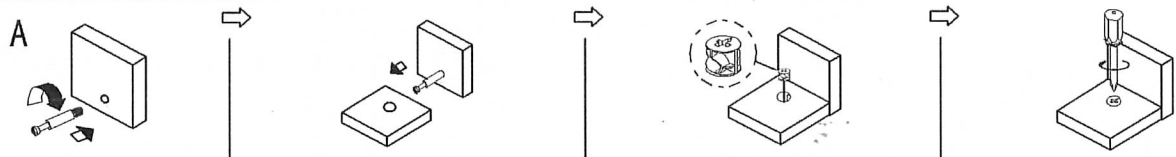
025963786833



ISTRUZIONI DI MONTAGGIO

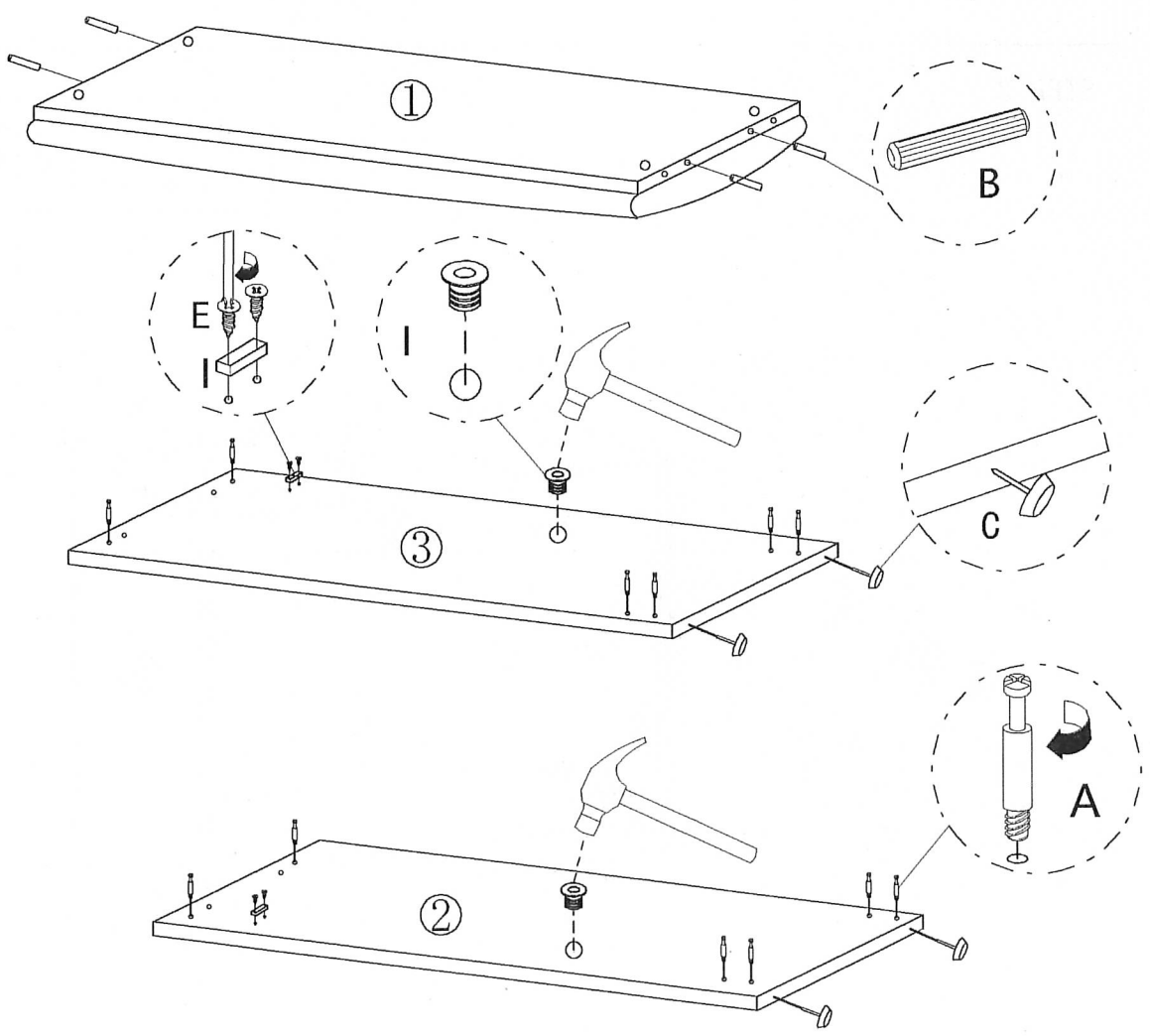
LISTA FERRAMENTA

| | | | | | | | | | | | | |
|----------|----------|---------|----------|------------|--------|----------|--|--------|----------|-------|-------|-------|
| A | | 12 STES | D | 4X14 | 22 PCS | G | | 16 PCS | I | | 2 PCS | |
| B | 8X40 | 4 PCS | E | 3.5X12 | 12 PCS | H | | 1 PCS | | | 2 PCS | |
| C | | 4 PCS | F | | 4 PCS | | | 4X16 | | 2 PCS | | 2 PCS |
| | | | | | | | | | | | | 2 PCS |

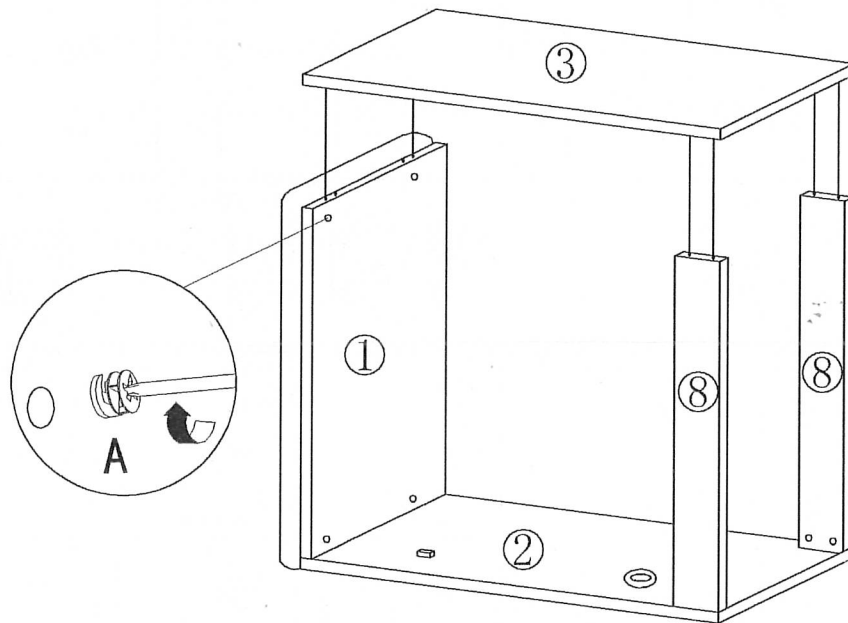
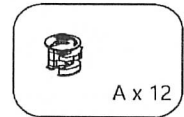


STEP 1

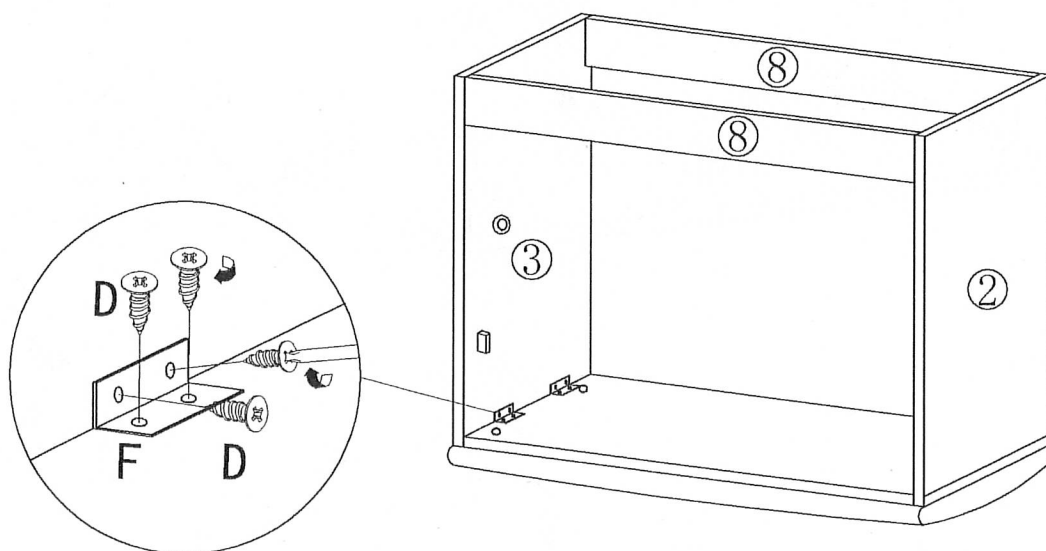
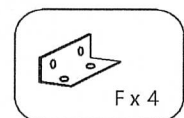
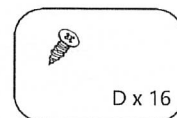
| | | |
|--------|-------|-------|
| | | |
| A x 12 | B x 4 | C x 4 |
| | | |
| E x 4 | I x 2 | I x 2 |



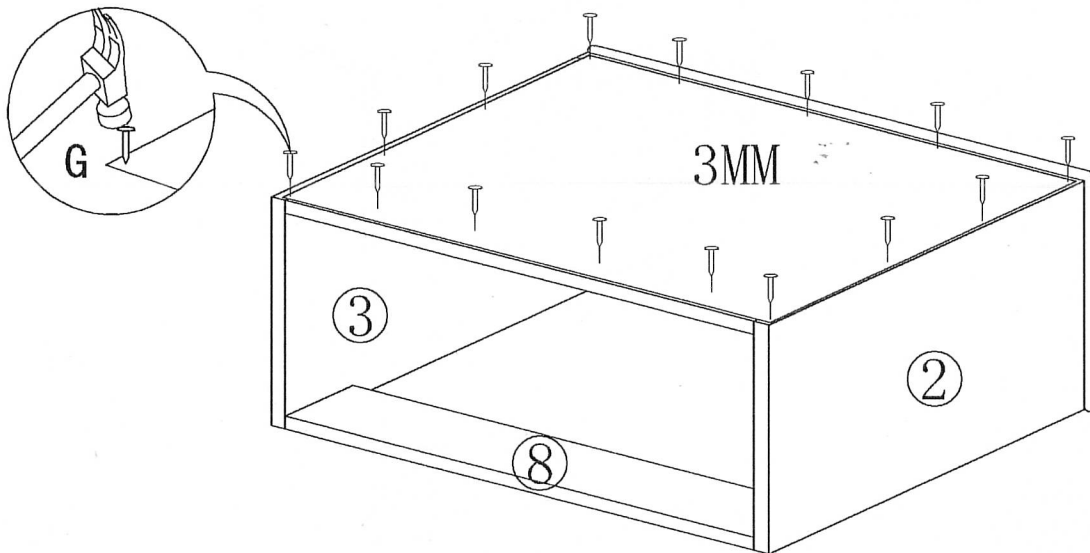
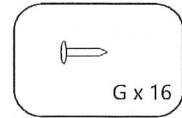
STEP 2



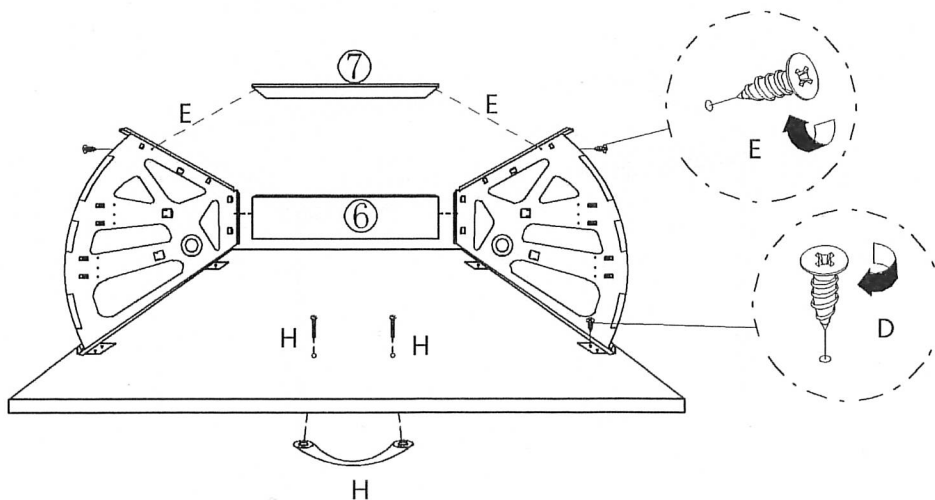
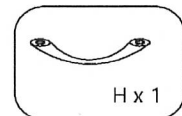
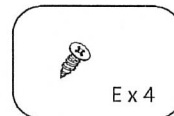
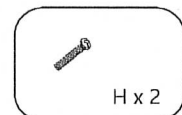
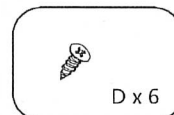
STEP 3



STEP 4



STEP 5



STEP 6

