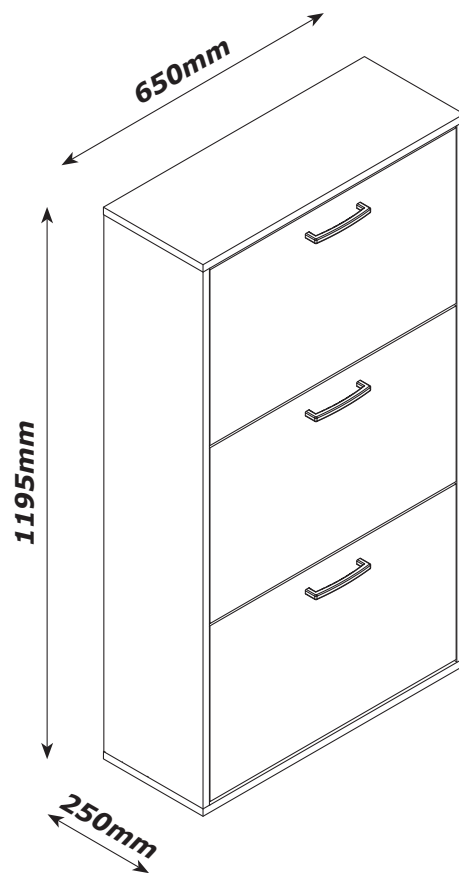


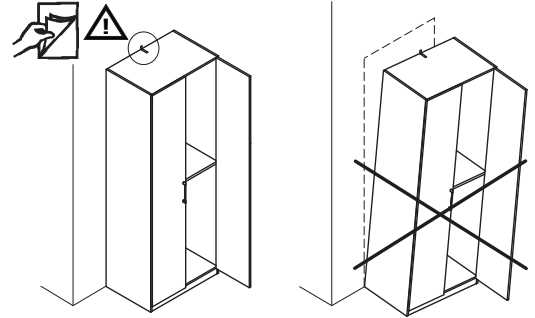
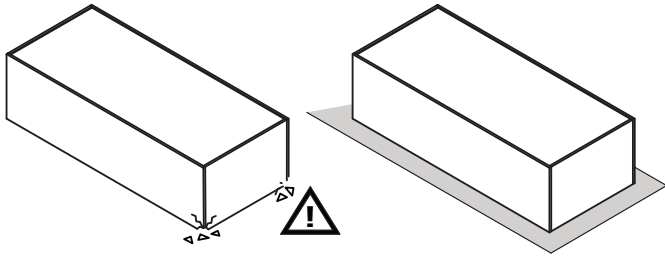
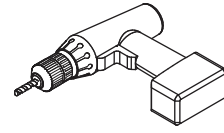
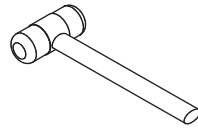
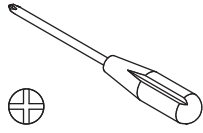
SC4086K57705



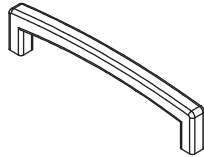
QF5910



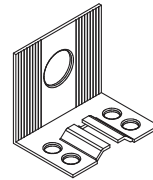
1,5h



BU4839

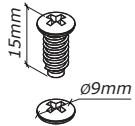


M72
x3

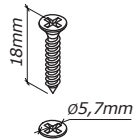


H16
x1

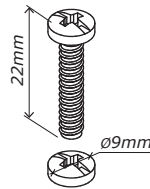
BU4814



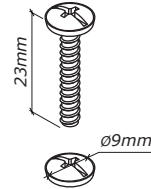
V10
x2



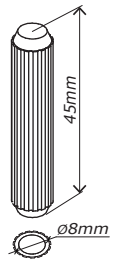
V88
x18



V118
x24



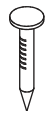
V25
x6



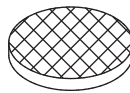
H325
x8



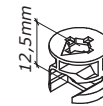
T28
x8



H15
x22



H139
x4

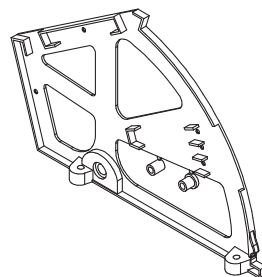
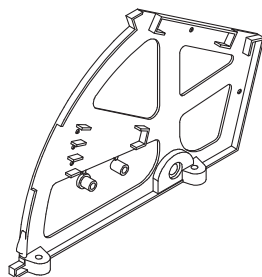


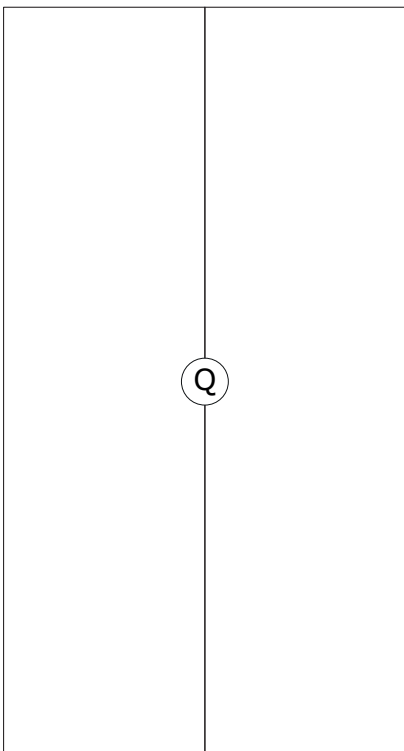
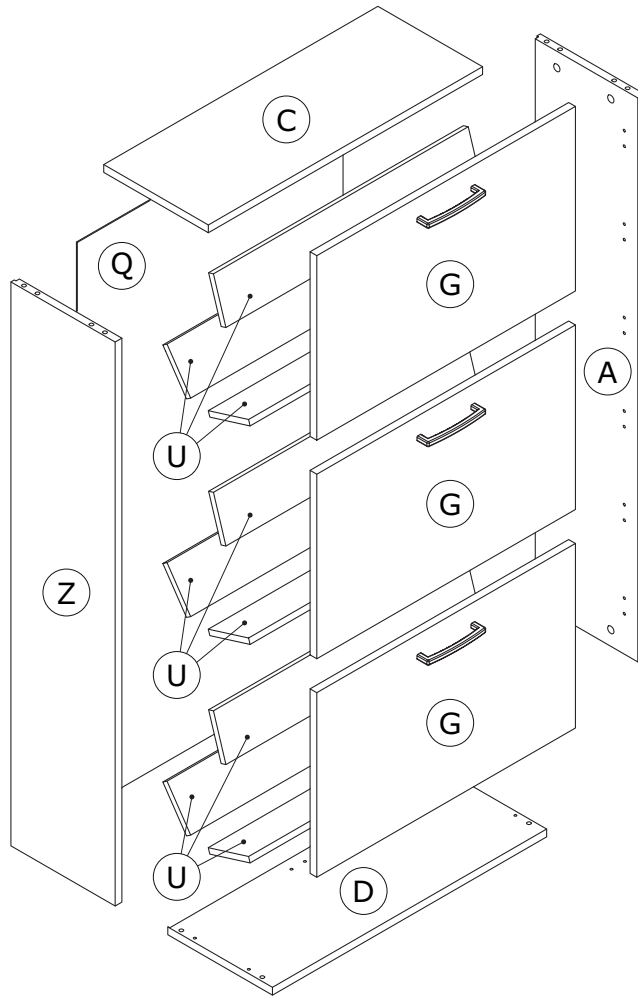
T7
x8



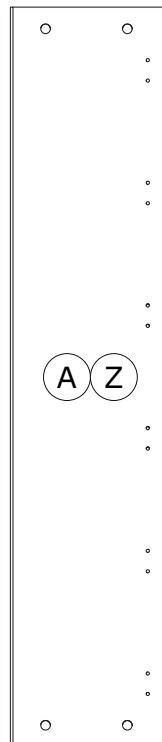
H106
x1

CF0180 x3

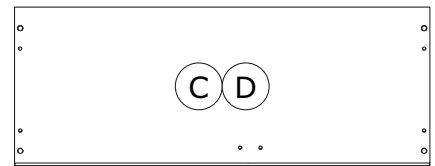




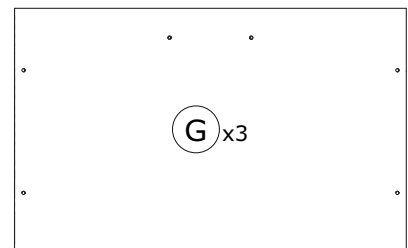
SH3622
1172x630x2mm



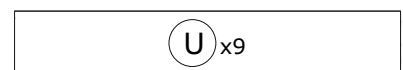
FI9412
1158x247x16mm



CA3944
650x248x16mm

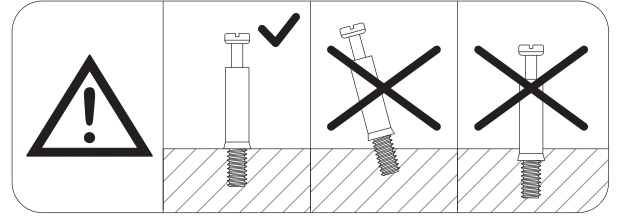
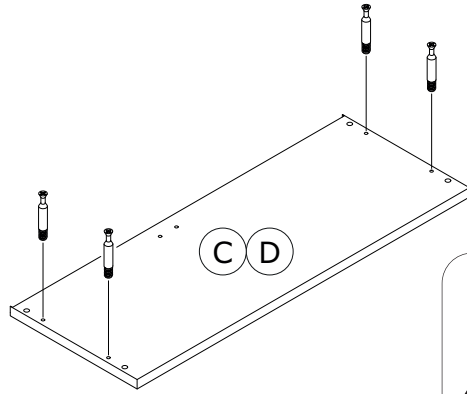
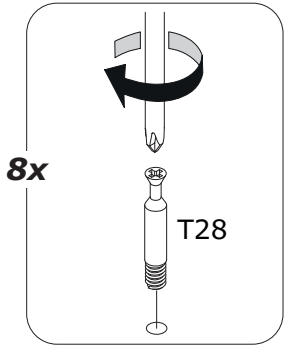
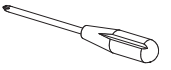


RI0460
613x379x16mm

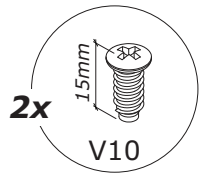
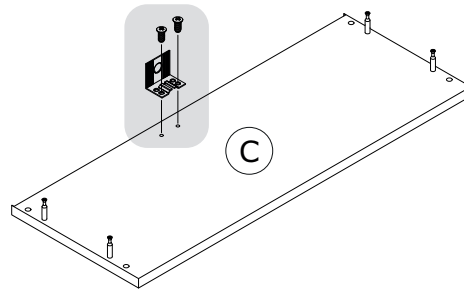
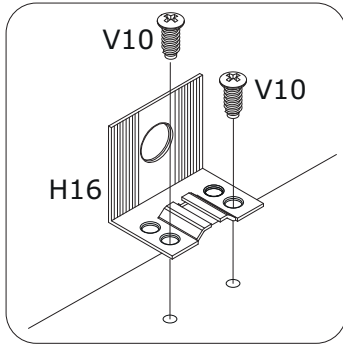
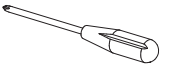


FS4710
604x100x12mm

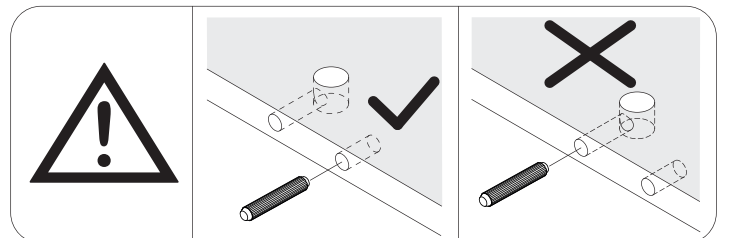
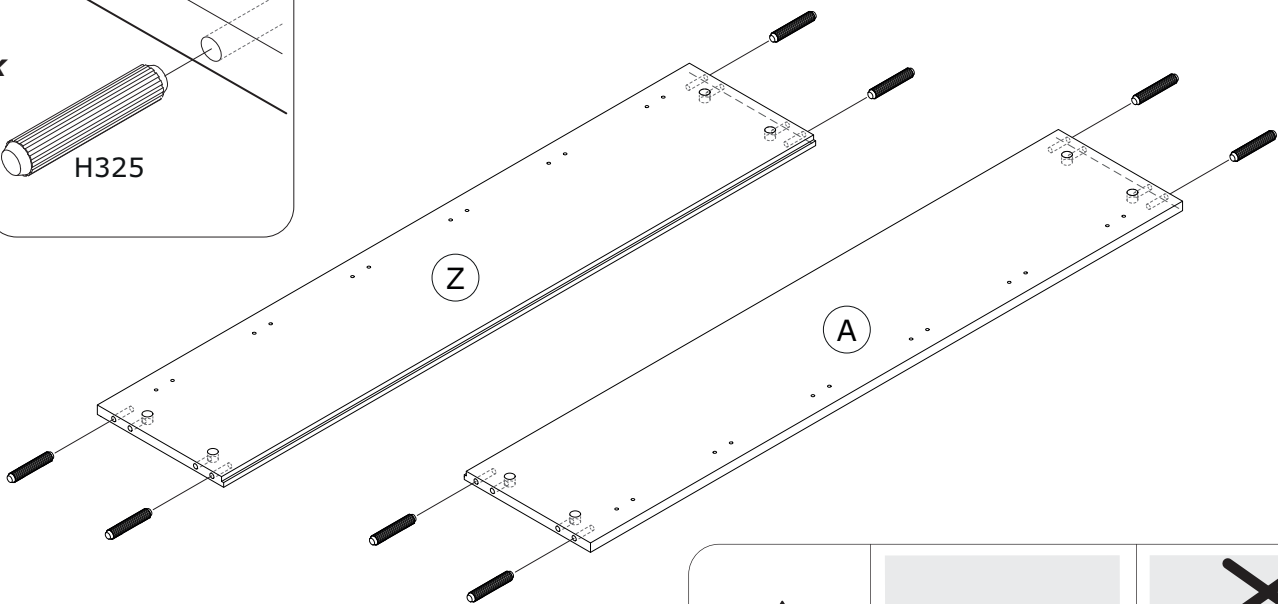
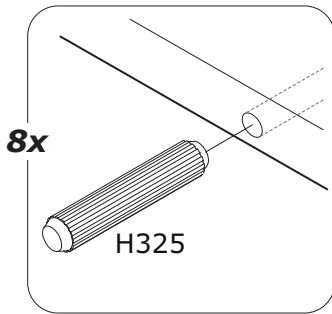
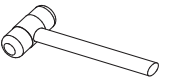
1



2

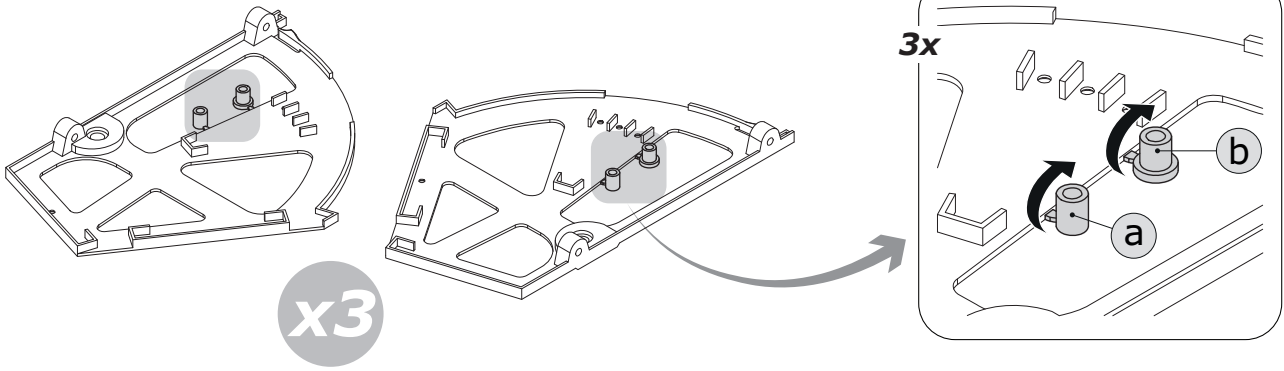


3

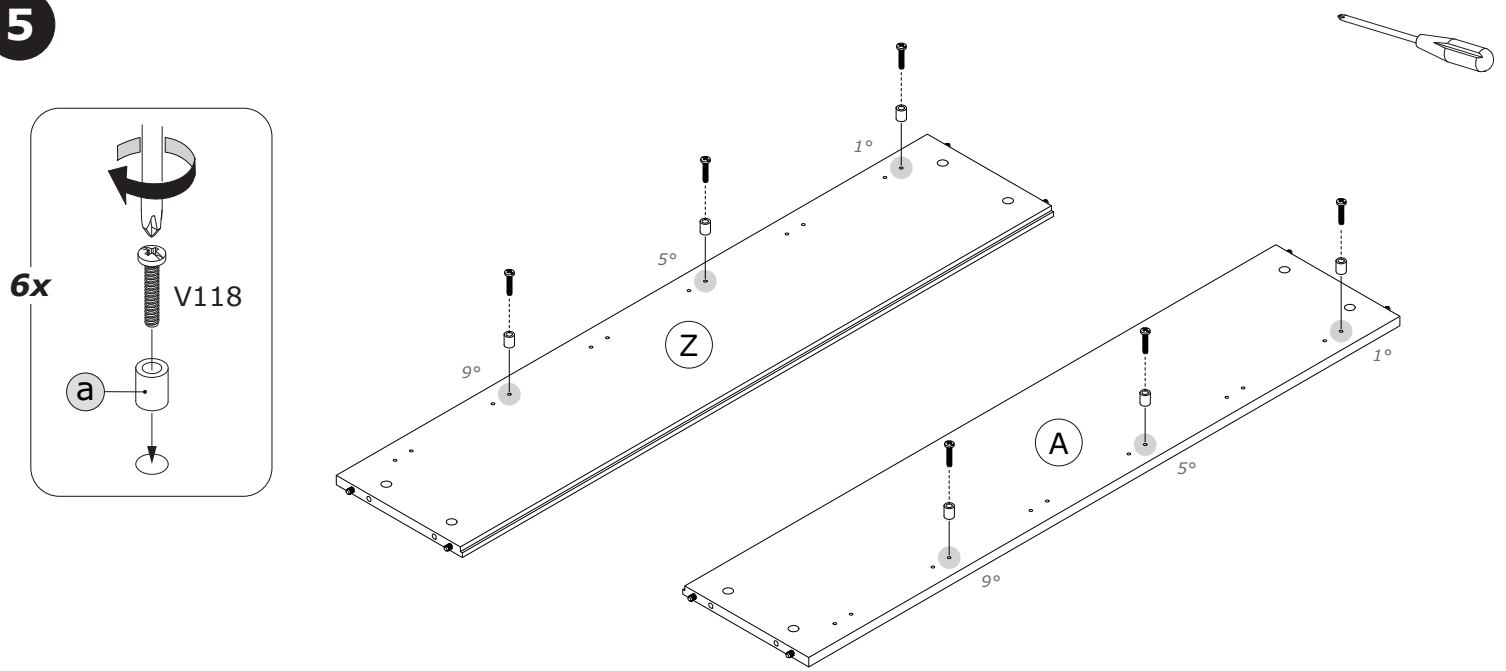


4

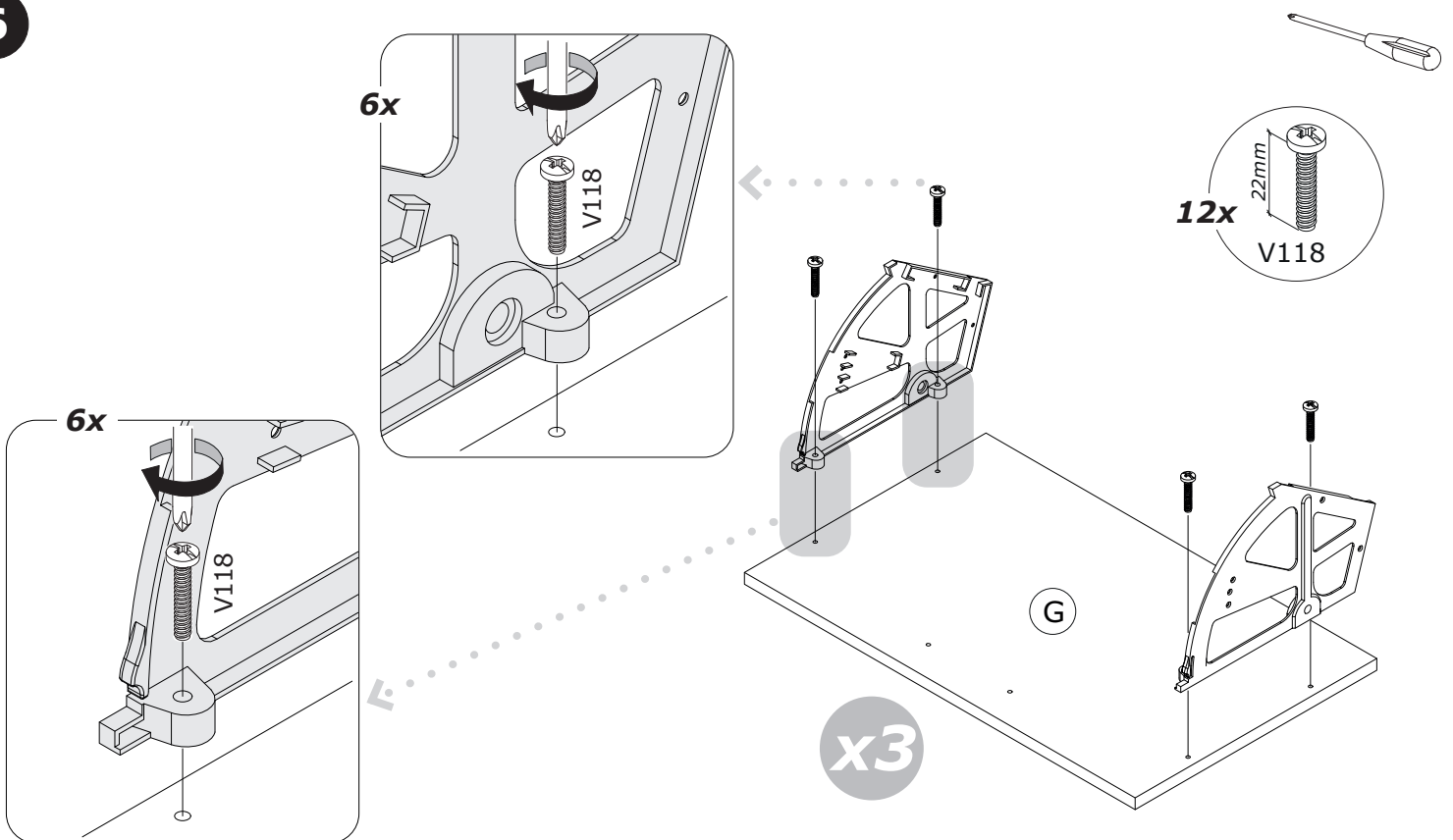
CF0180



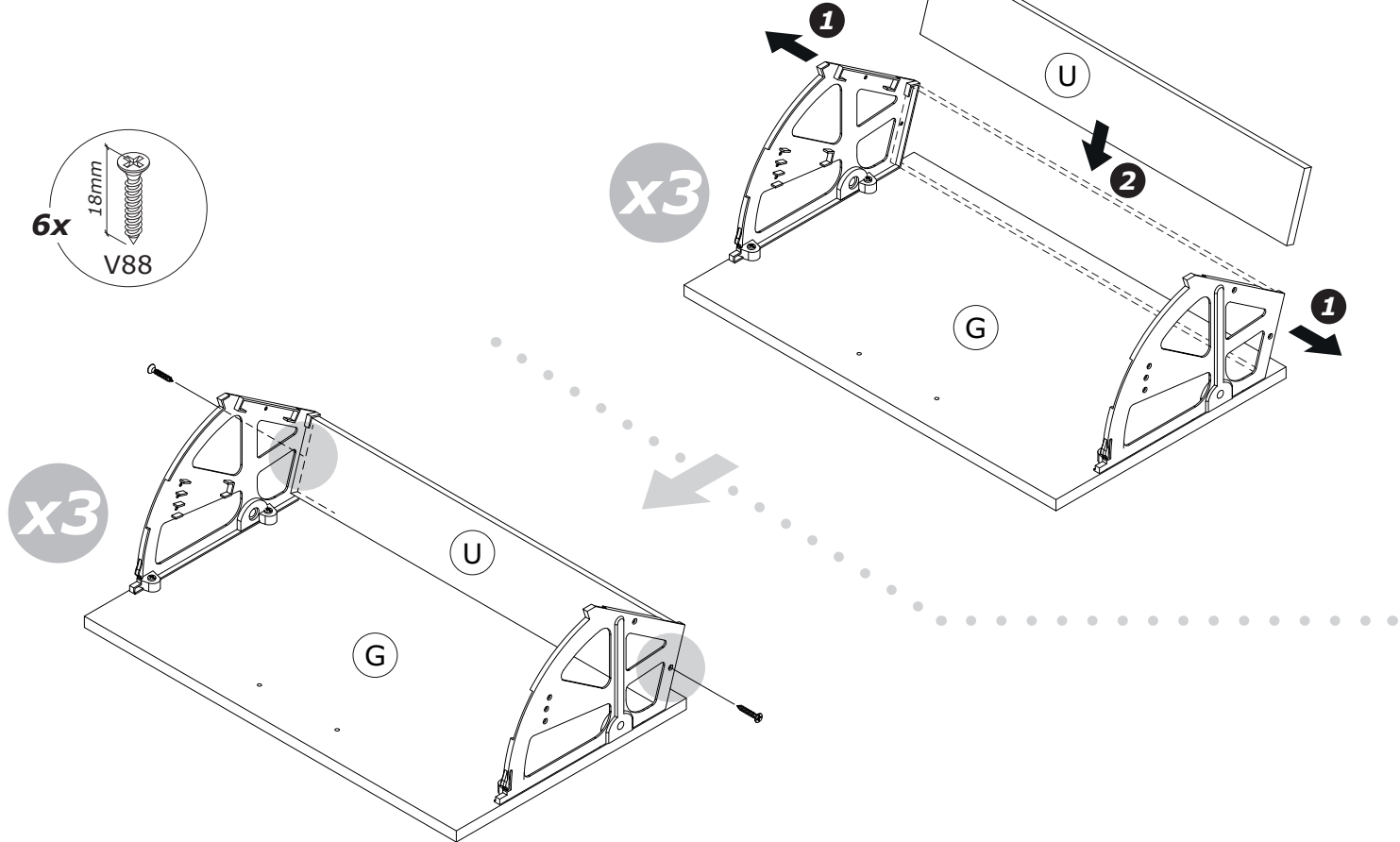
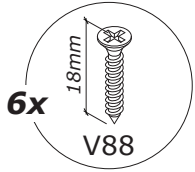
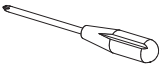
5



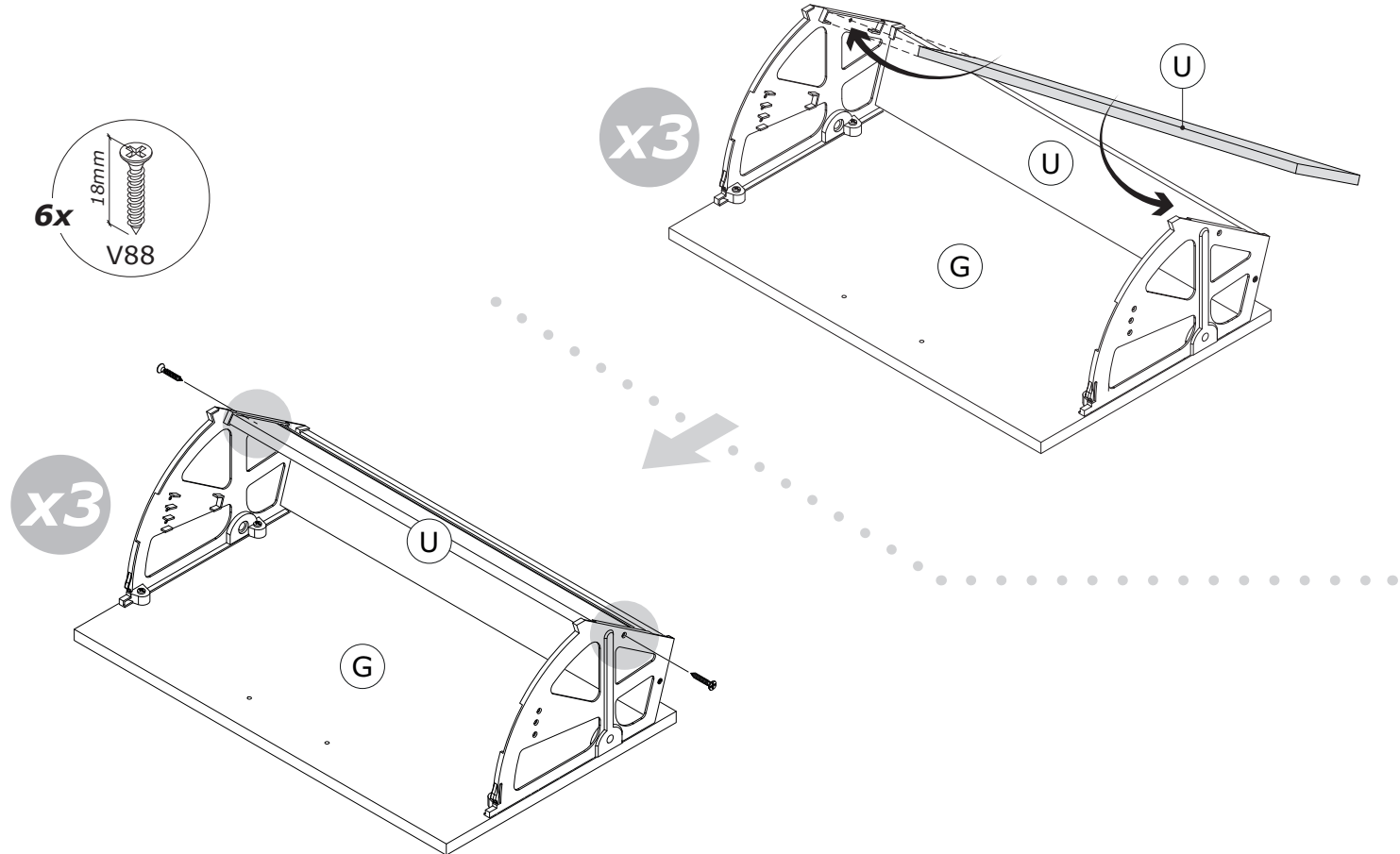
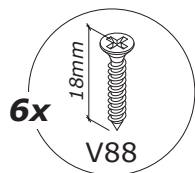
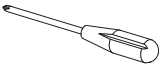
6



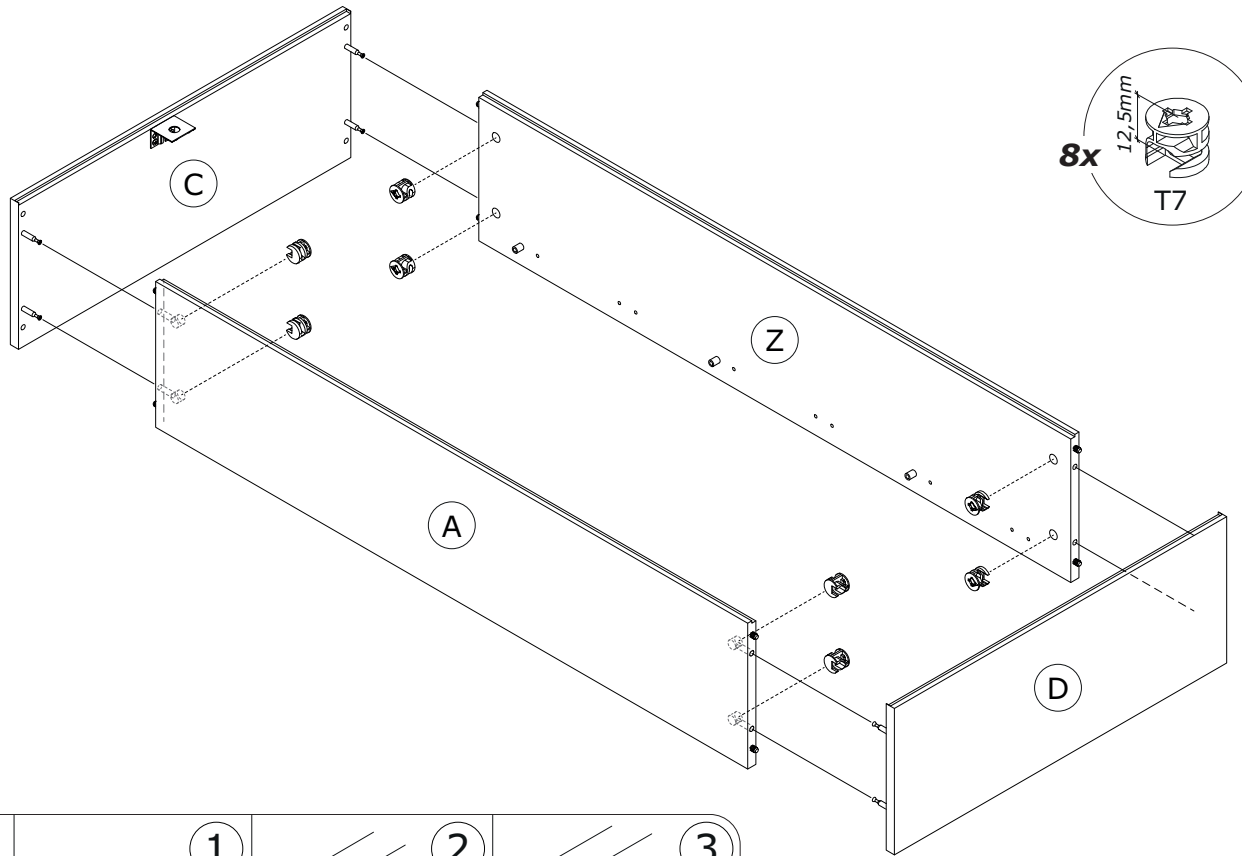
7



8



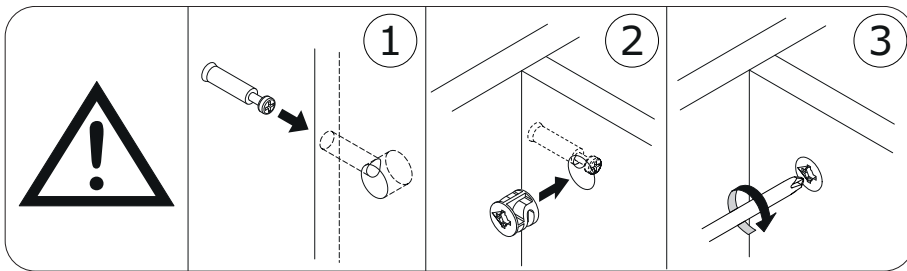
9



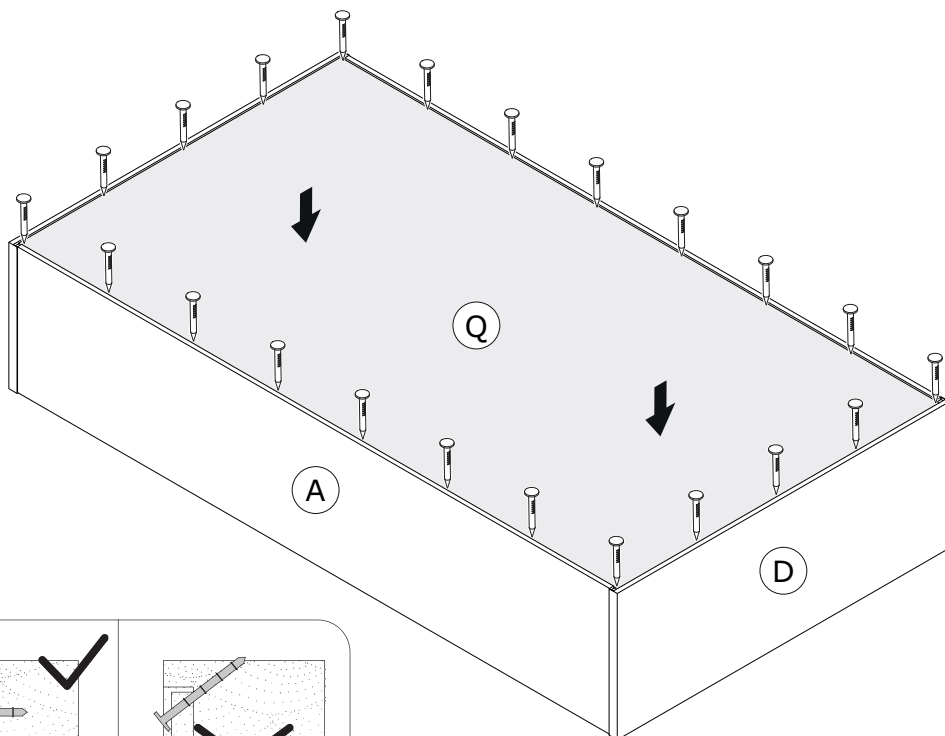
8x

12.5mm

T7

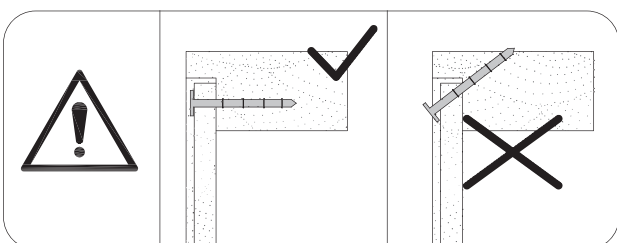


10

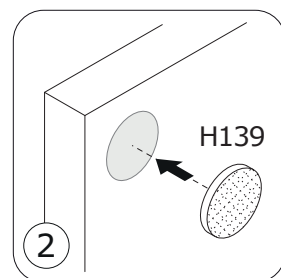
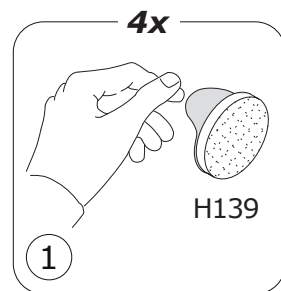
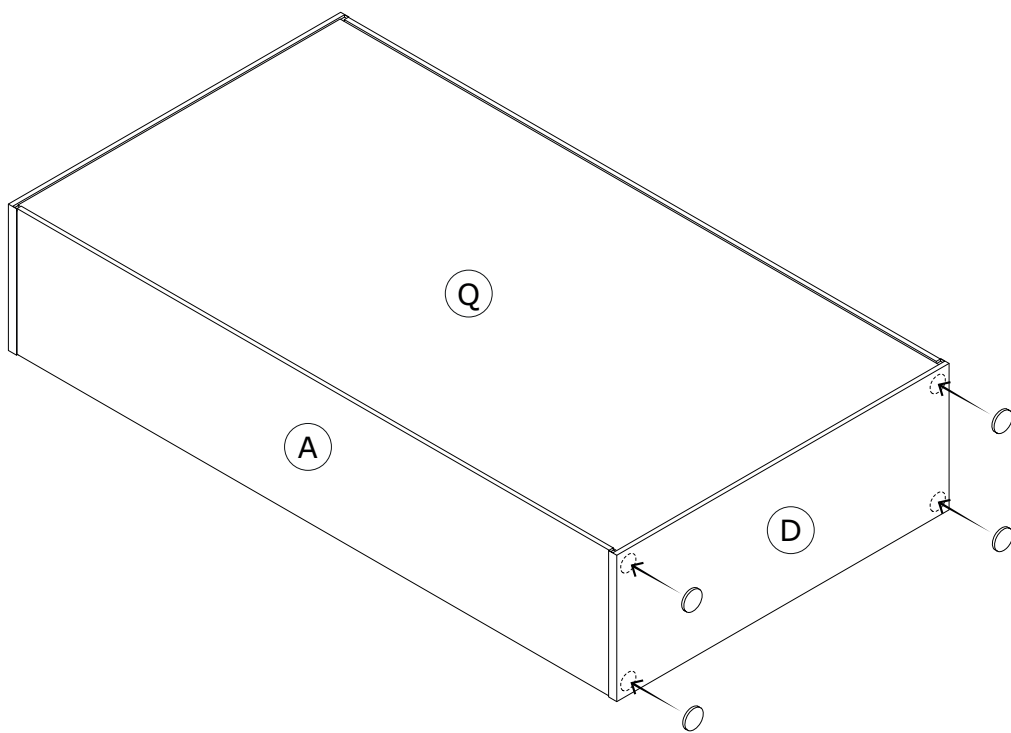


22x

H15



11



12

