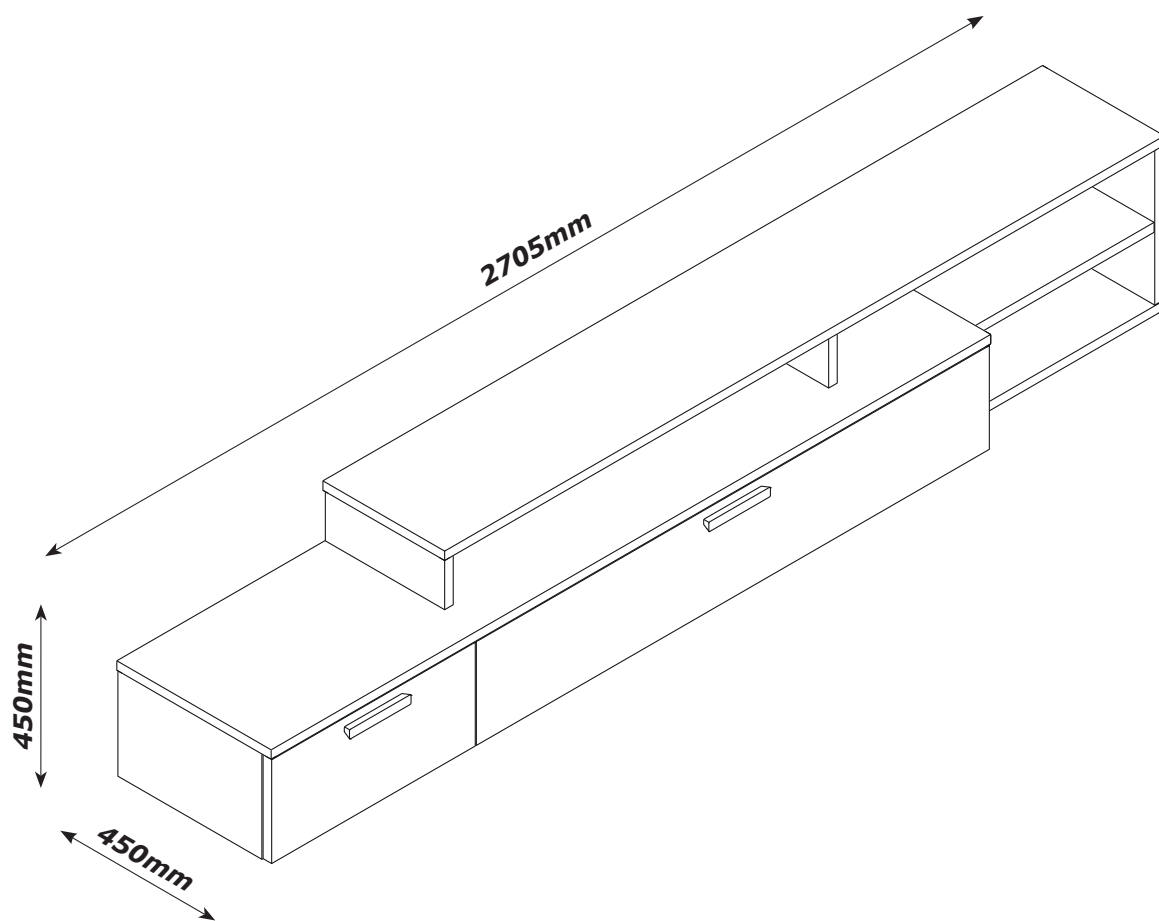


BS3344K62904



MIX
Wood | Supporting
responsible forestry
FSC® C011298



FR

Pensez à
donner ou recycler.



Association

ou



Magasin

ou



Déchèterie

<https://quefairedemesdechets.fr>

QF4965-6

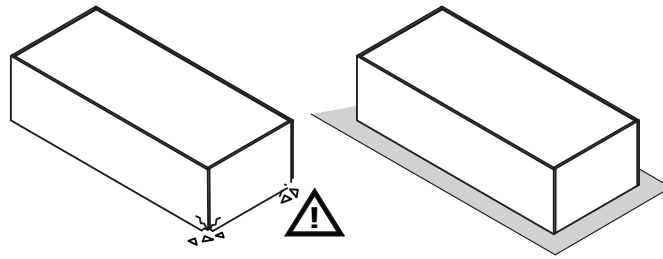
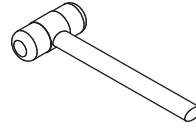
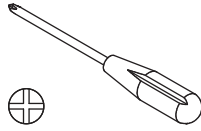
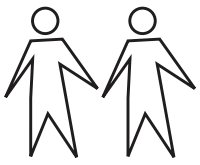


The Eco-Ethical Company

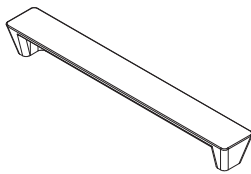


MADE IN ITALY

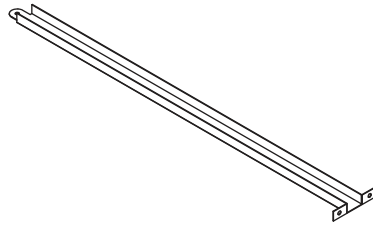
Produced by COMPOSAD srl, Via Lombardia 29, 46019 Viadana (MN) ITALY



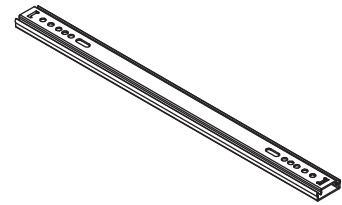
BU4103



M176
x2

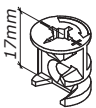


W398
x1



A34
x2

BU4100



T92
x8



T99
x10



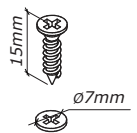
T98
x4



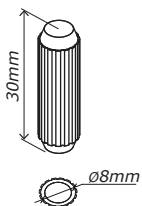
H54
x14



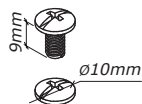
H15
x19



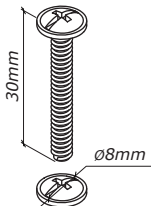
V5
x26



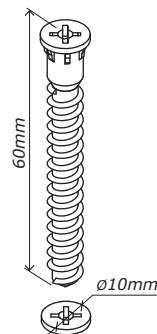
H1
x26



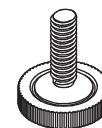
V38
x2



V35
x4



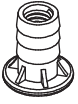
V57
x8



P34
x10



T28
x22



T94
x10



V81
x4



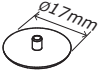
H2
x16



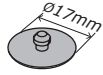
V98
x3



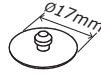
H113
x4



G136
x4



G108
x6

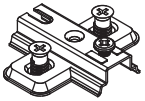


G117
x4

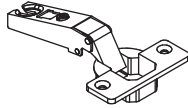


R40
x4

BU4211



B30
x3

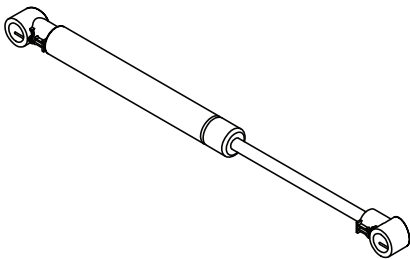


C66
x3

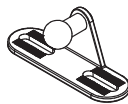


V5
x6

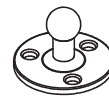
BU3321



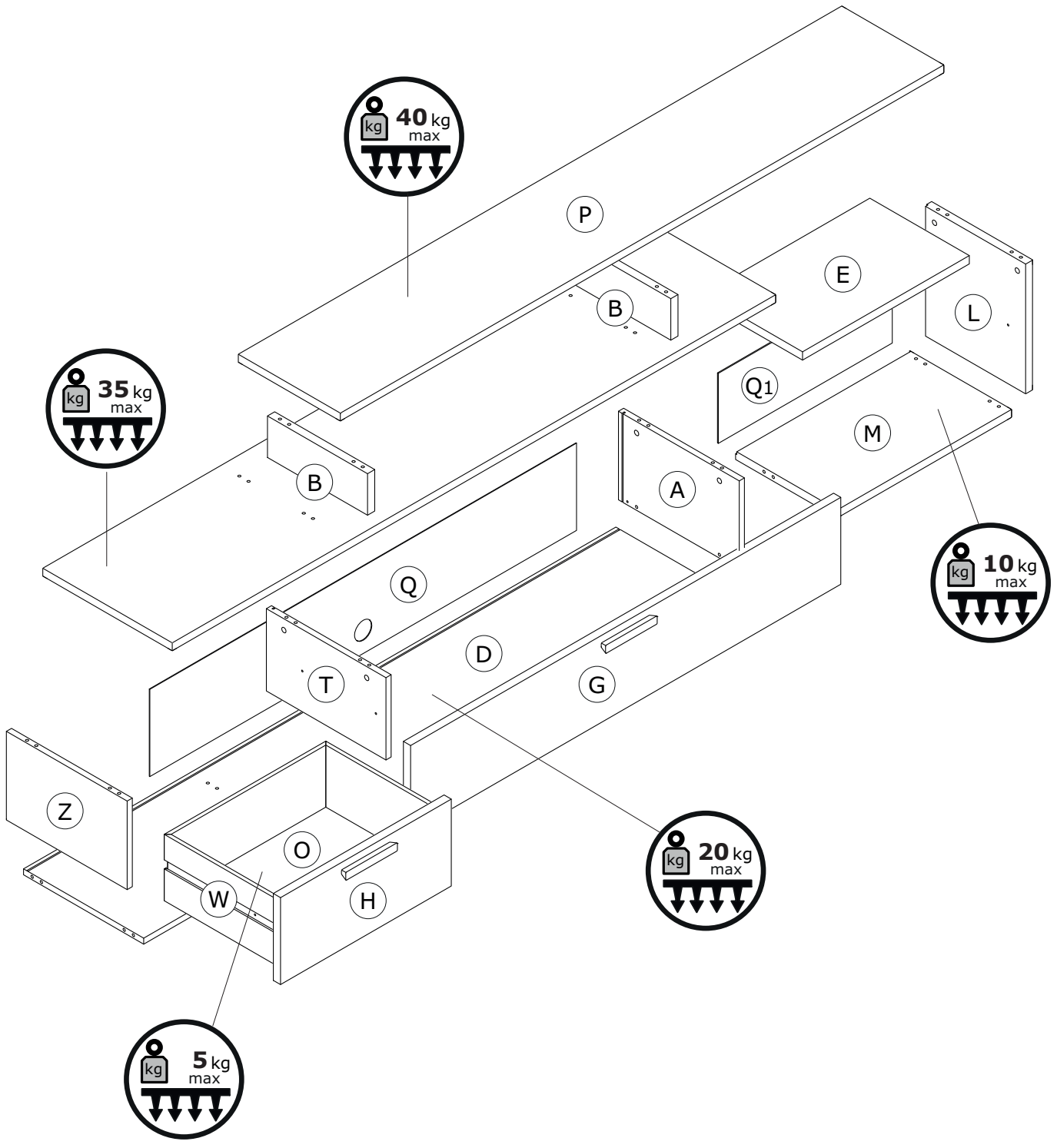
H246
x2

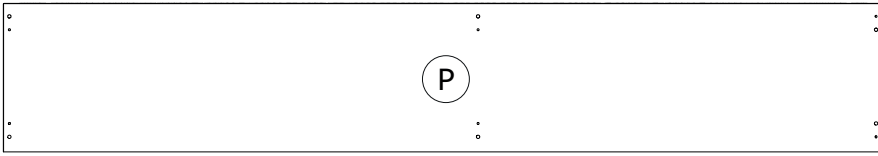


H230
x2

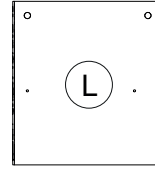


H231
x2

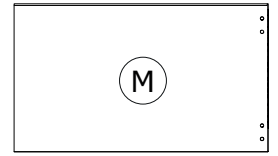




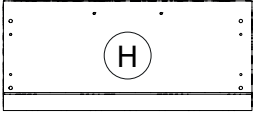
CA3486
2100x355x25mm



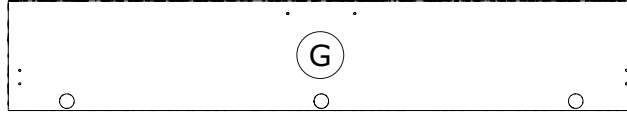
FI8467
391x352x25mm



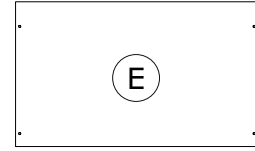
BA2127
607x354x25mm



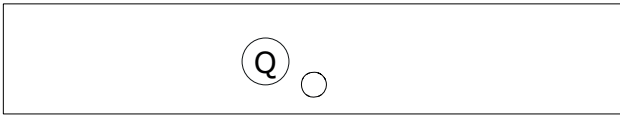
CS3217
594x262x25mm



RI0409
1496x262x25mm



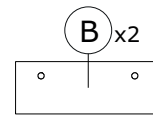
PI7062
580x346x25mm



SS0713
1484x263x2mm

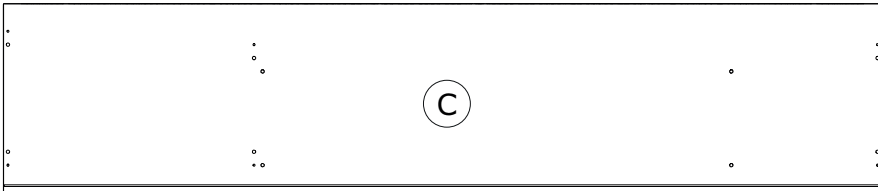


SH3255
605x211x2mm

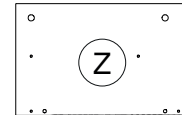


TR2536
125x348x25mm

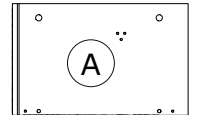
BOX 1/2



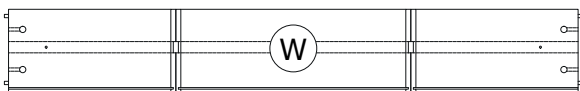
CA3487
2100x450x25mm



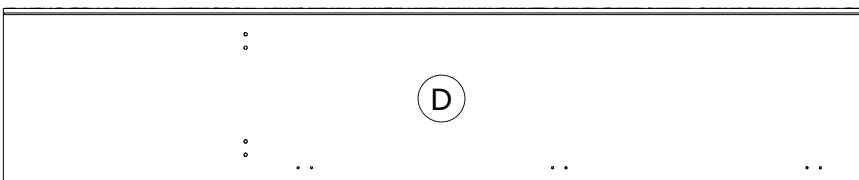
FI8471
267x420x18mm



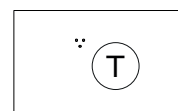
FI8473
267x420x18mm



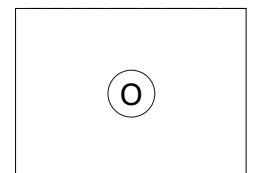
OF0517
400x562x400mm H200mm



BA2128
2060x418x18mm



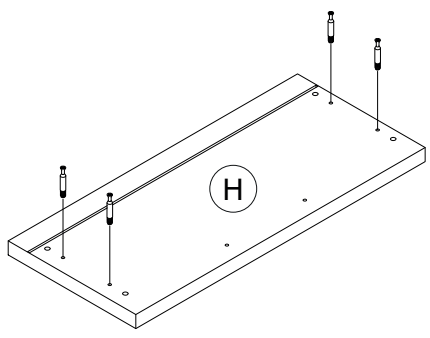
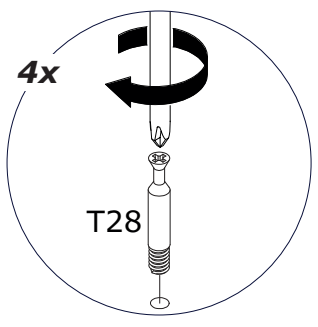
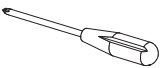
TR2175
248x416x18mm



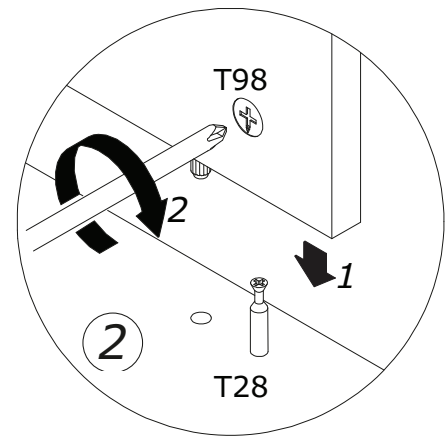
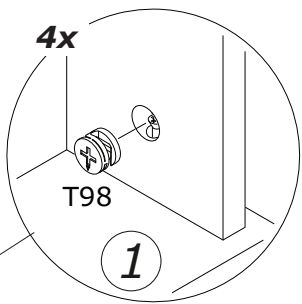
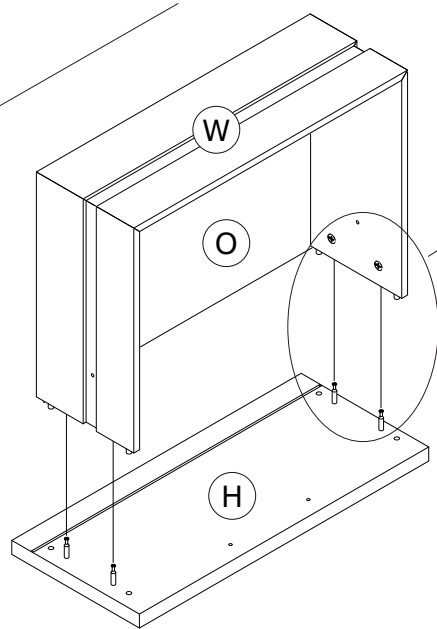
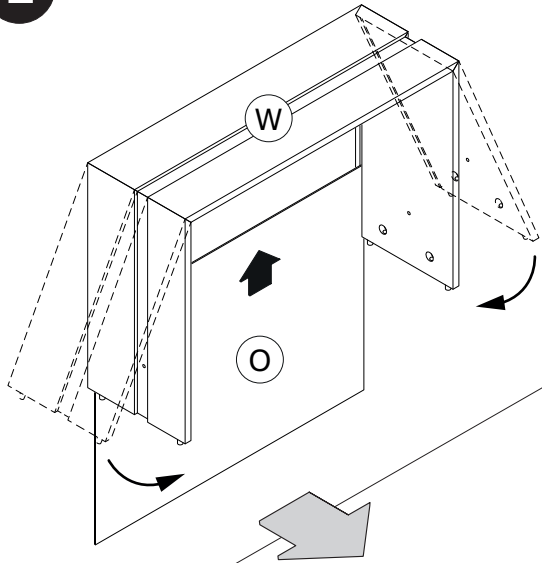
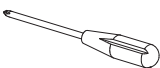
SH3252
551x401x2mm

BOX 2/2

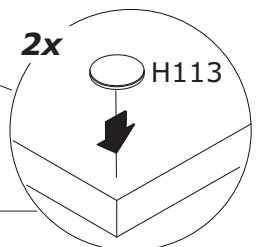
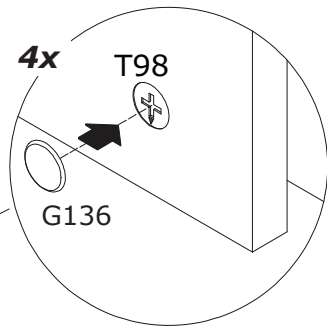
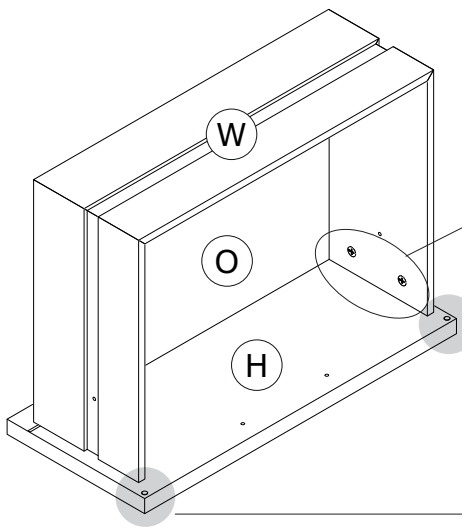
1



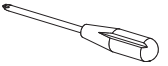
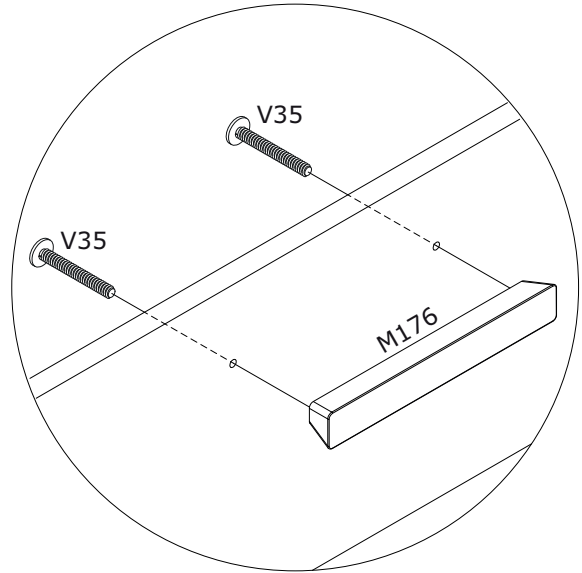
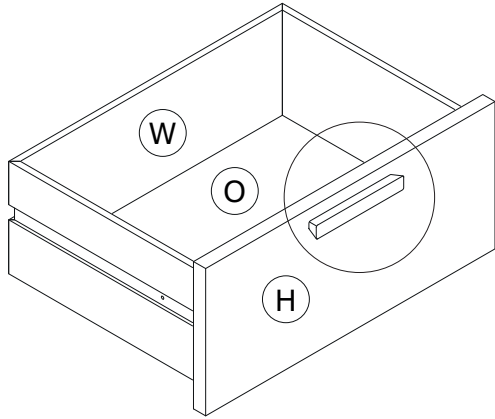
2



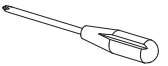
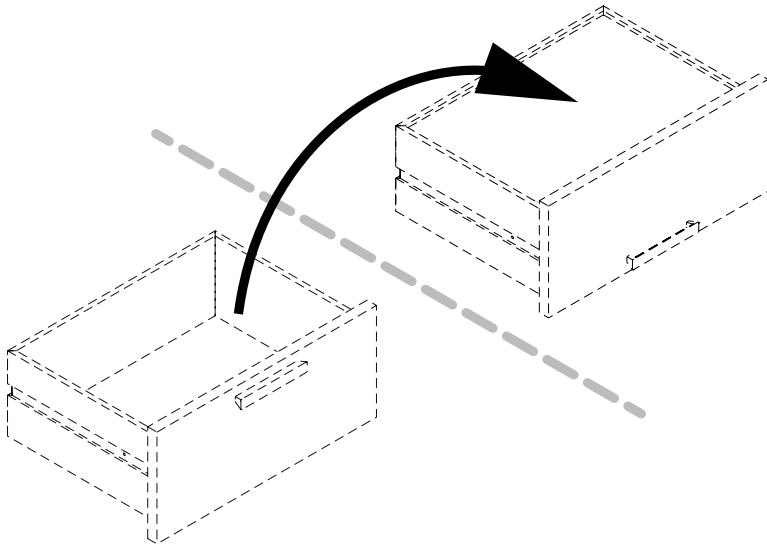
3



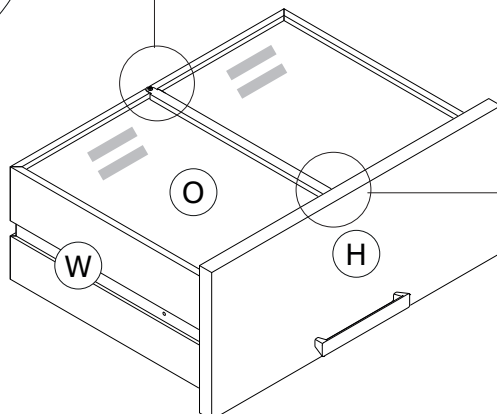
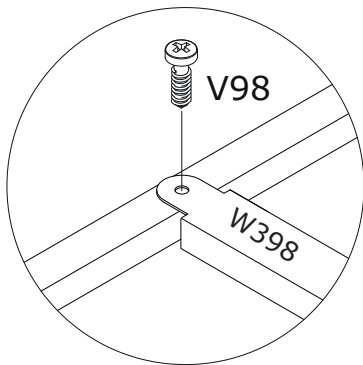
4



5



3x



2x

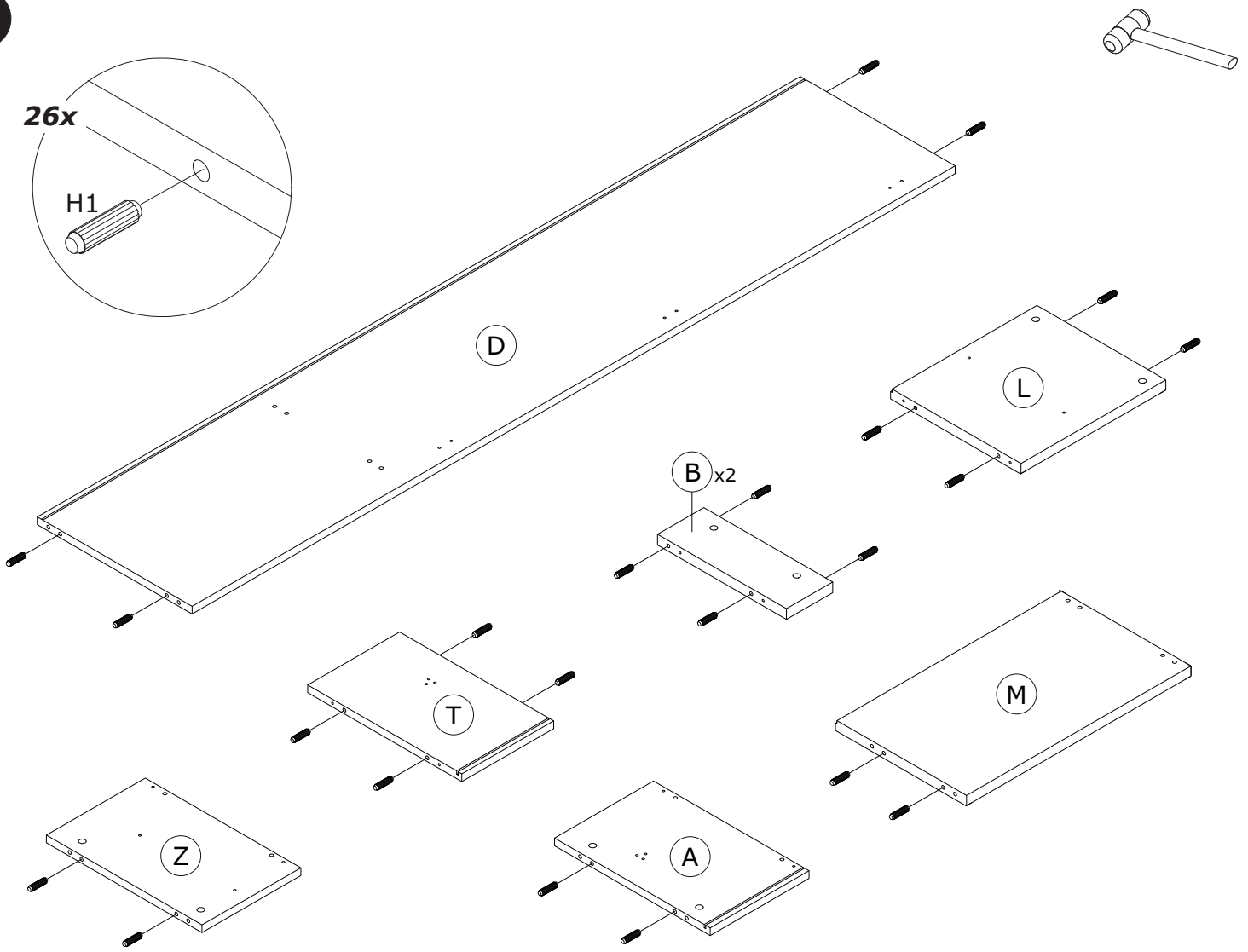
V98



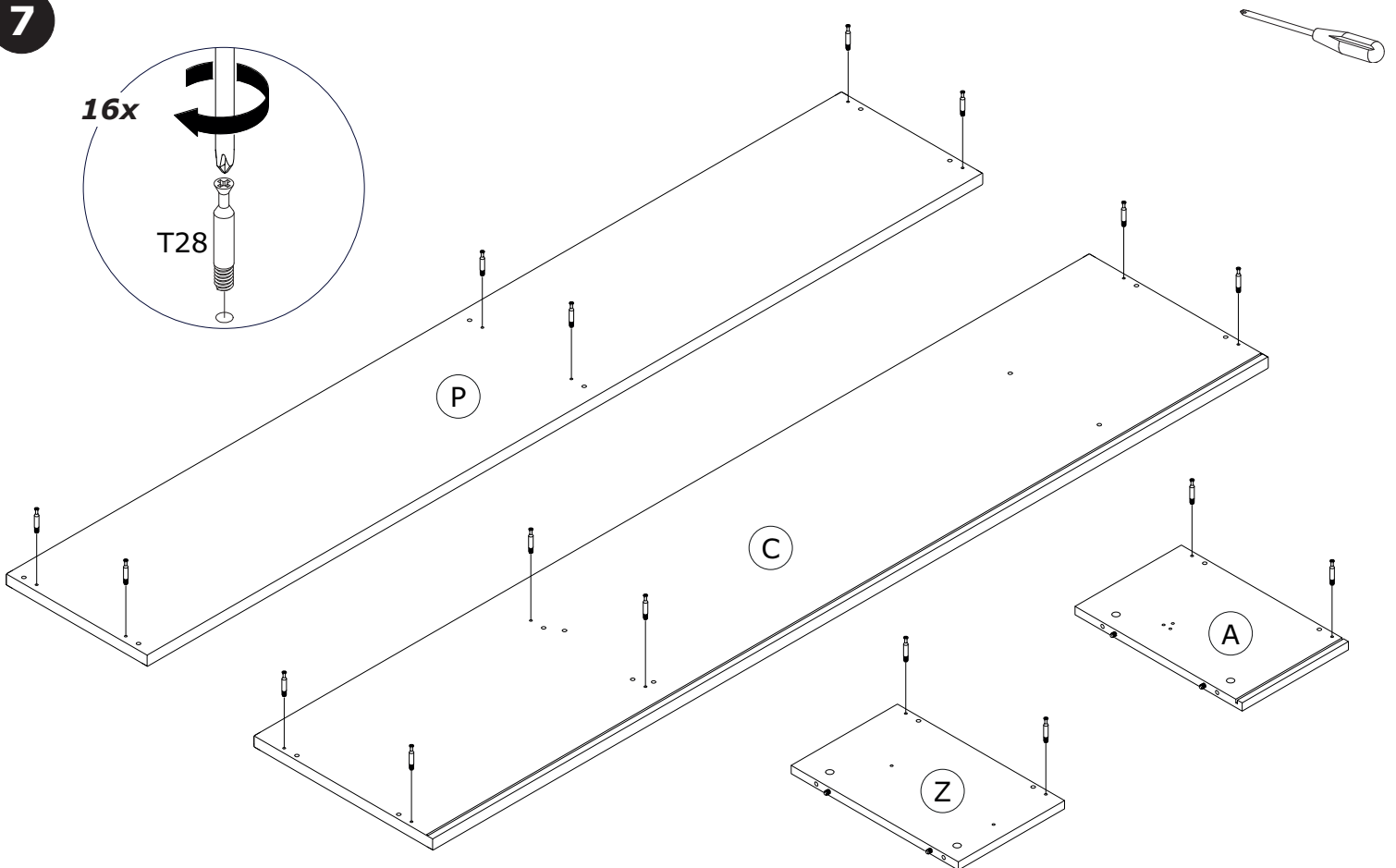
W398

V98

6



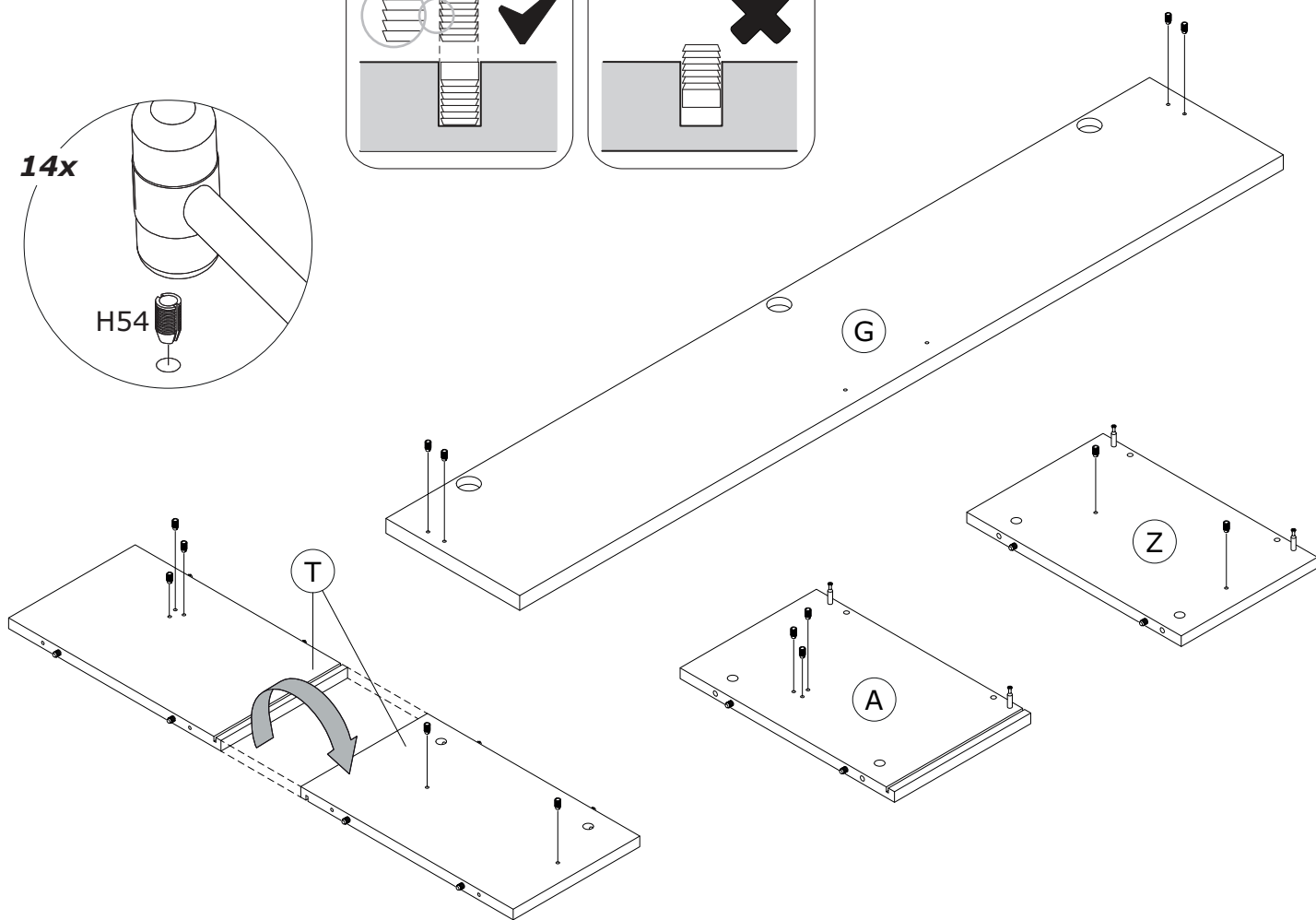
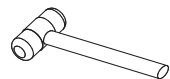
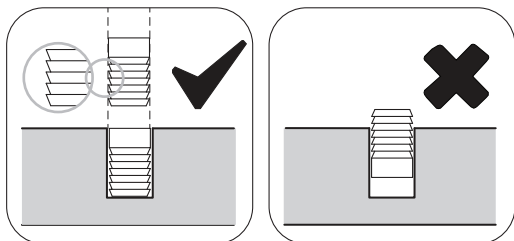
7



8

14x

H54

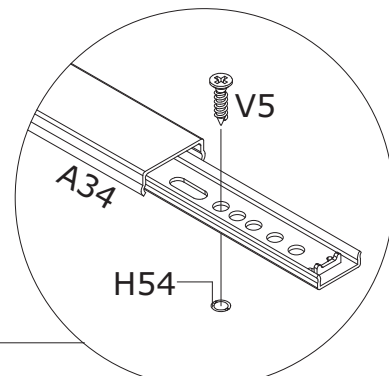
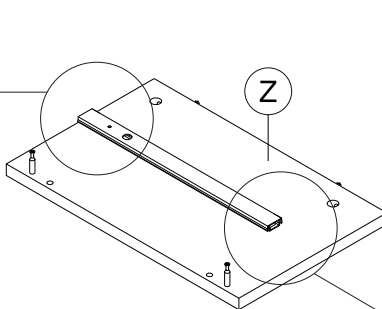
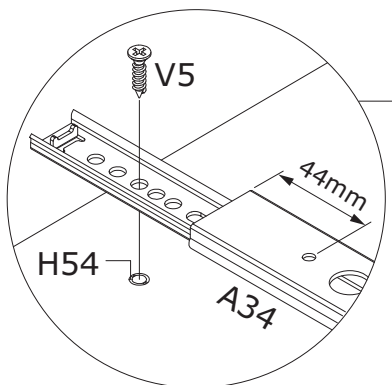
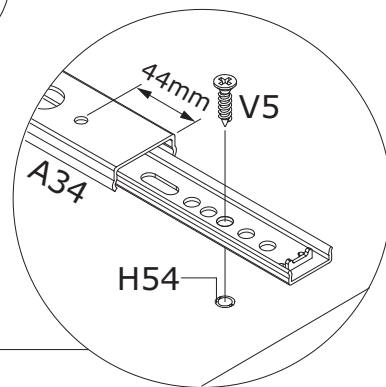
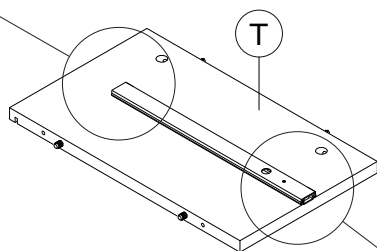
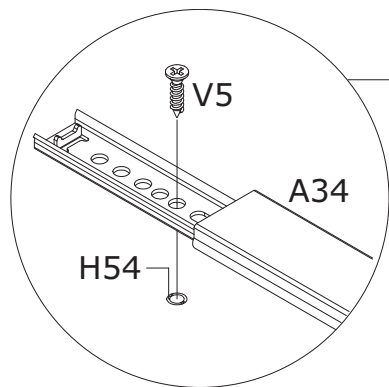
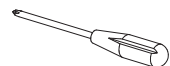


9

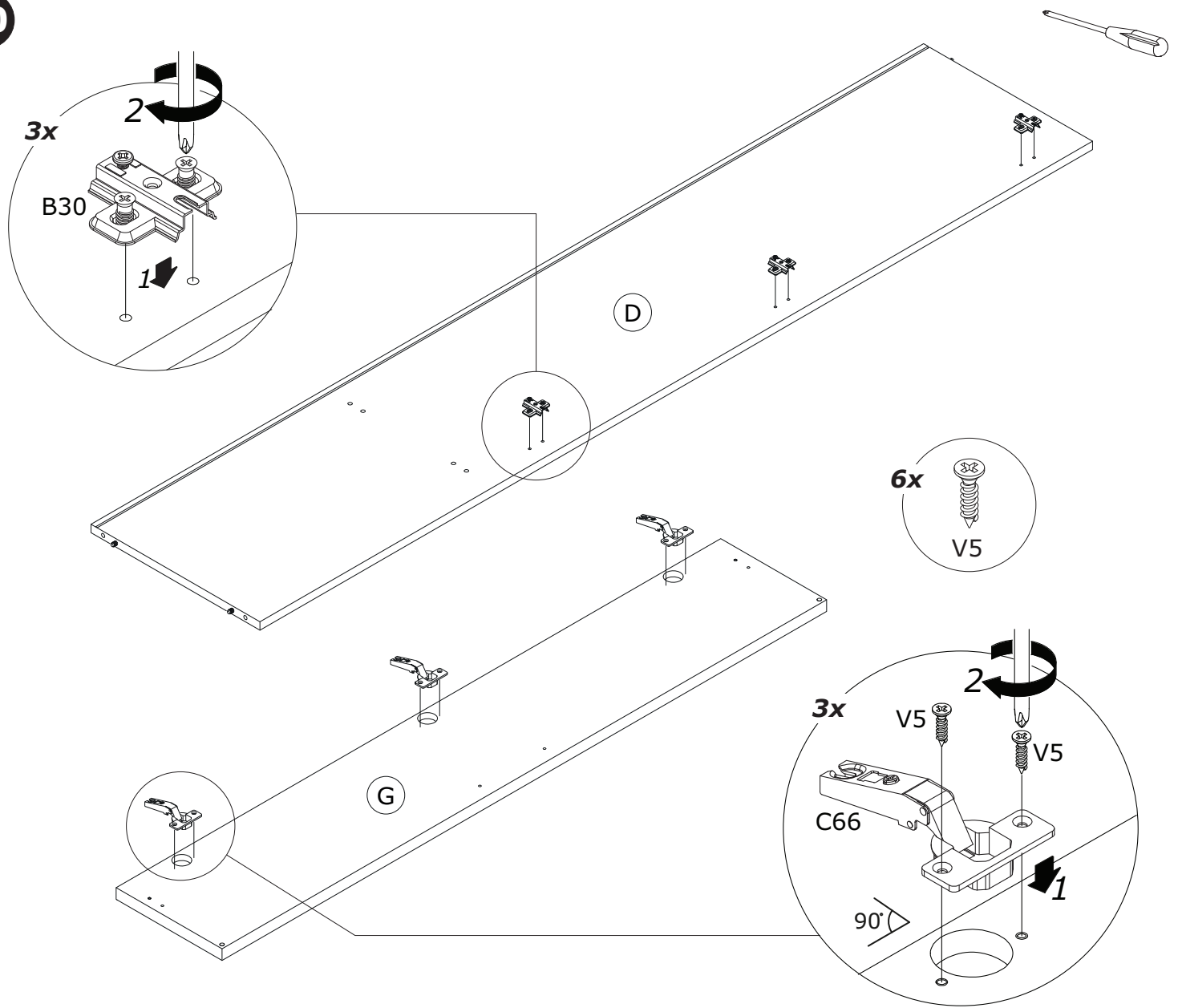
4x



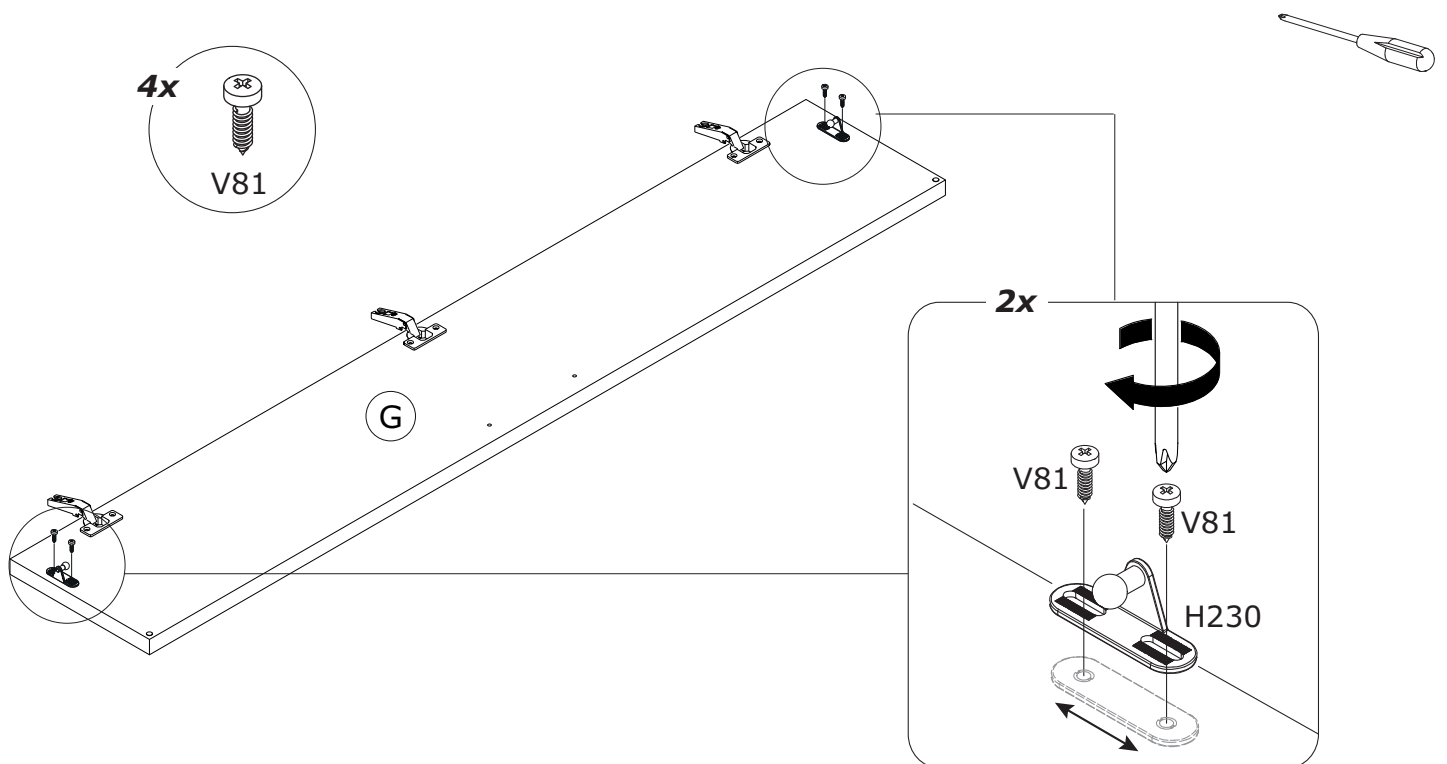
V5



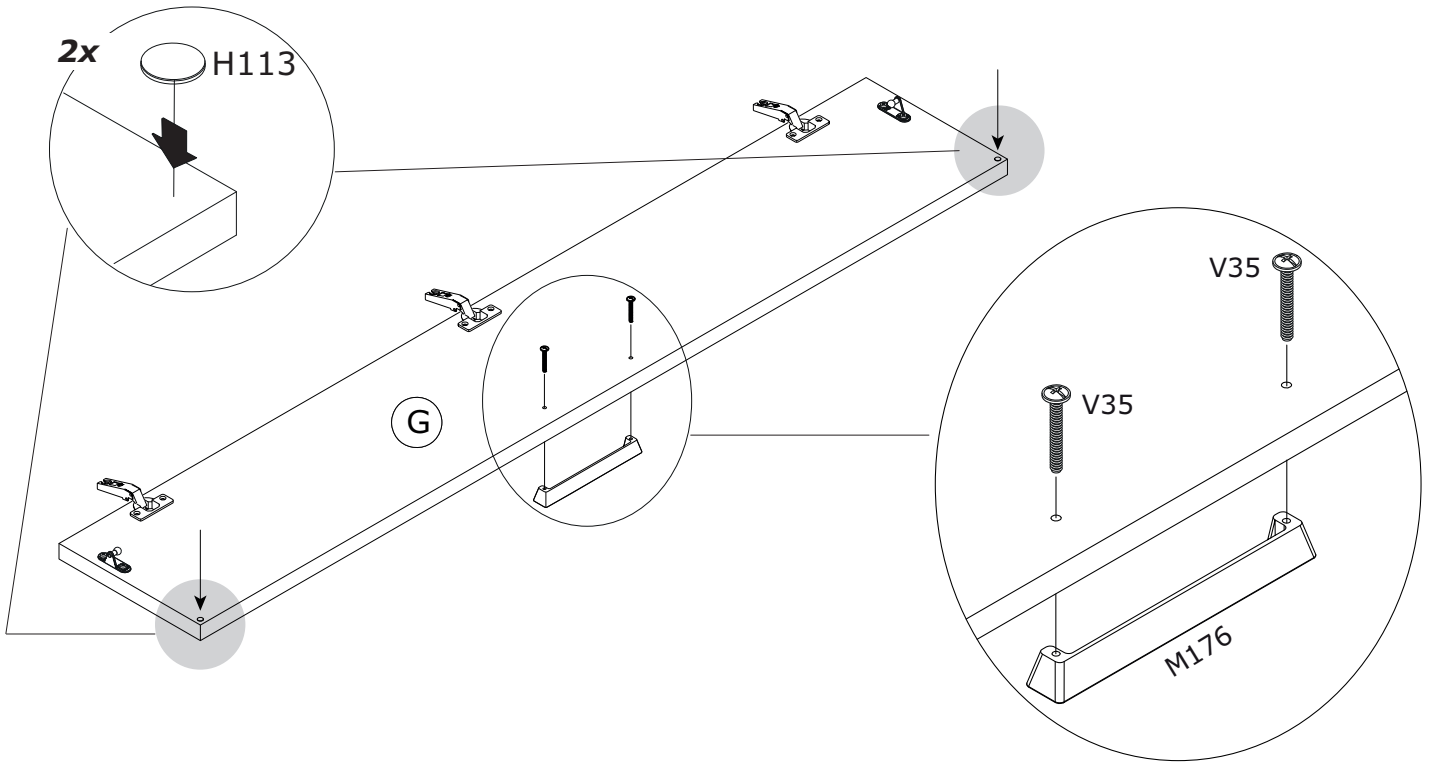
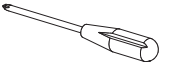
10



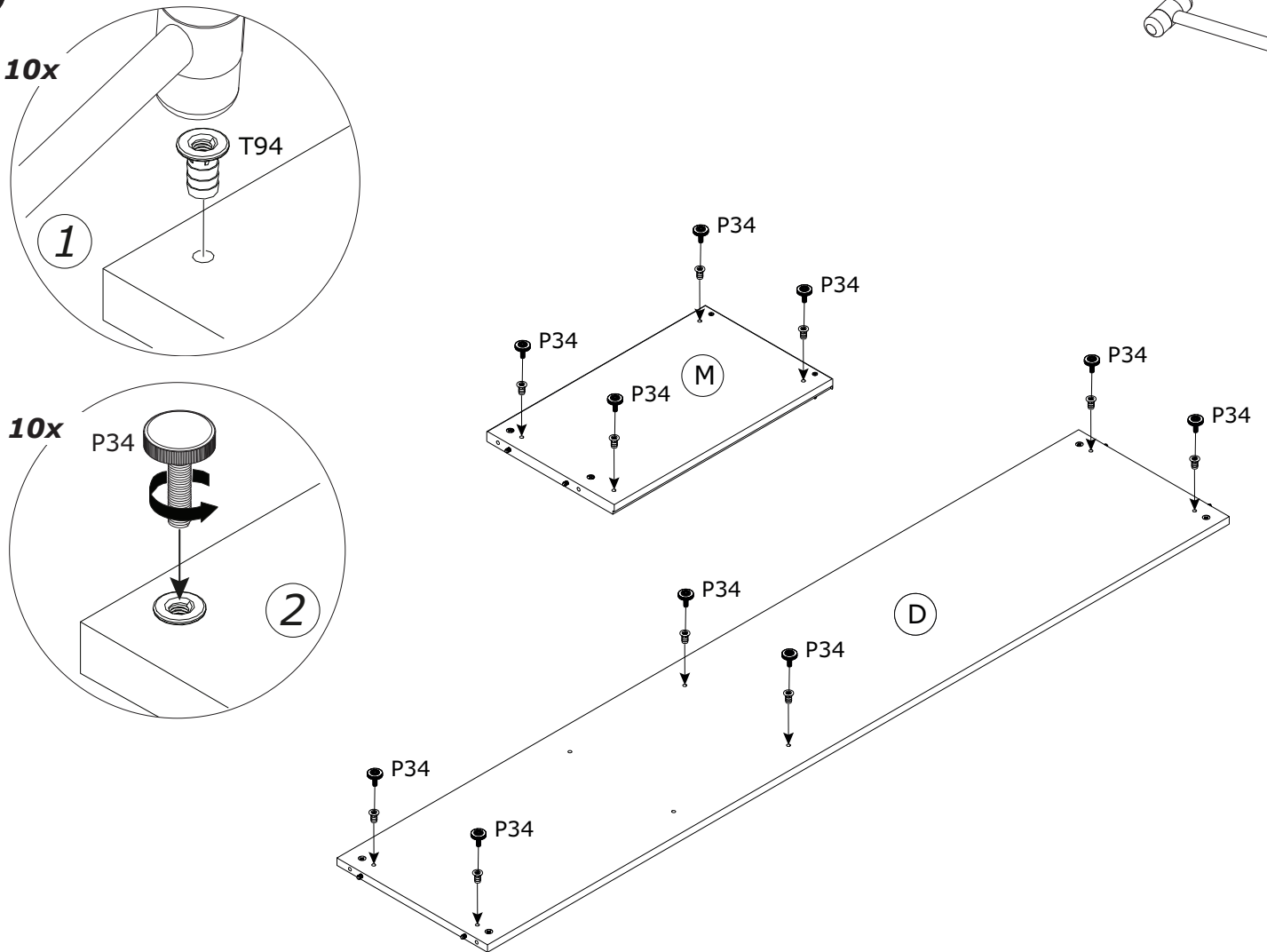
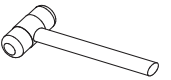
11



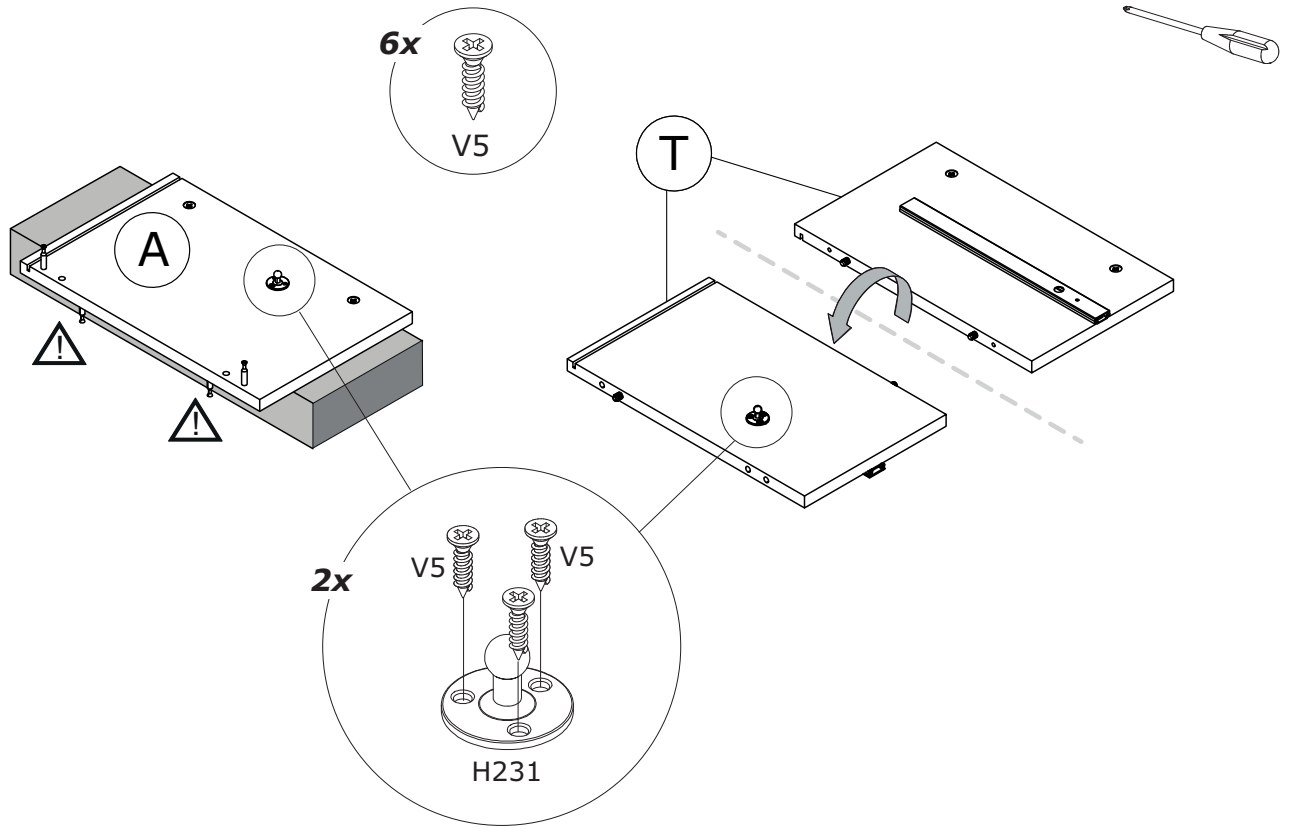
12



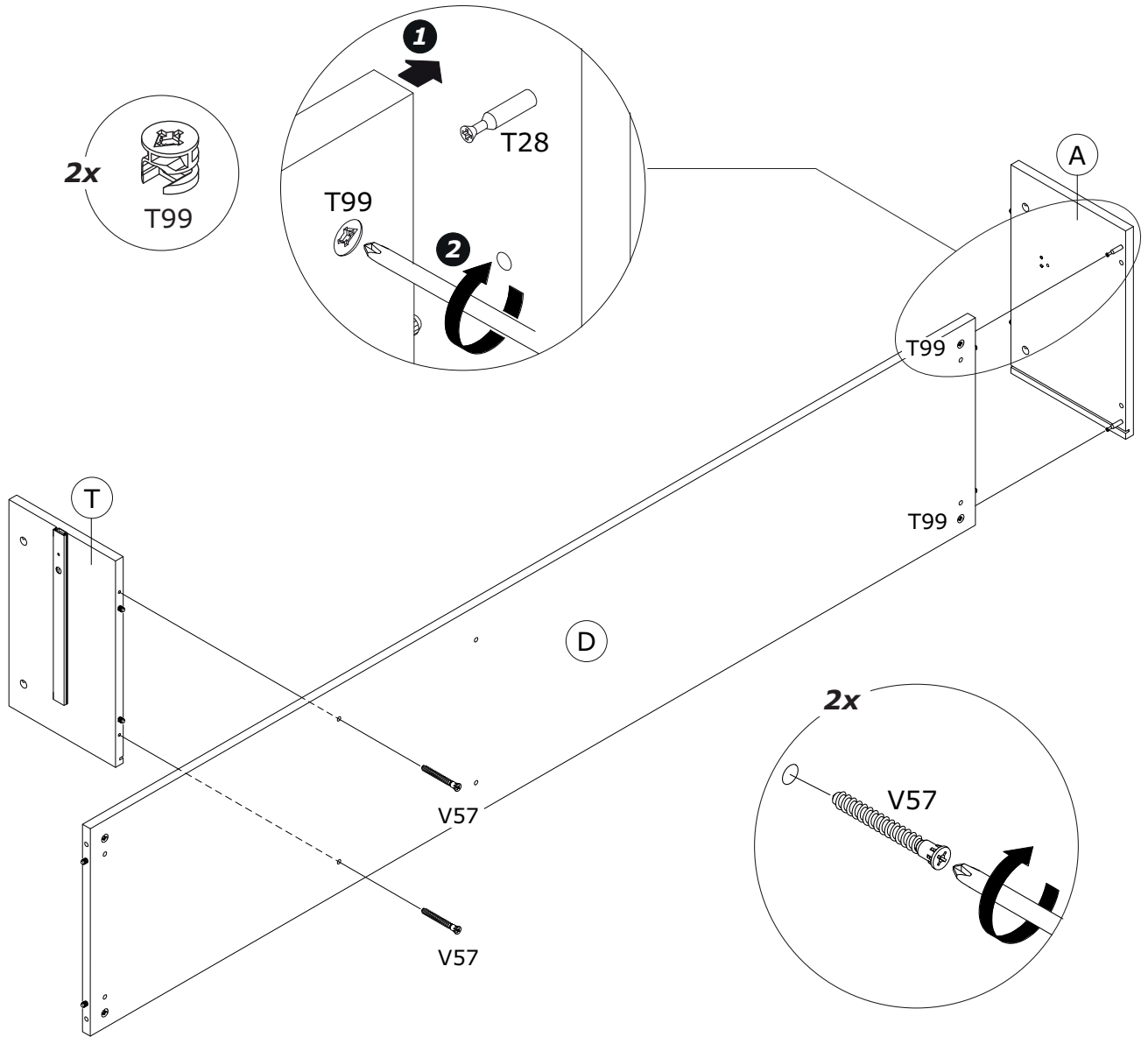
13



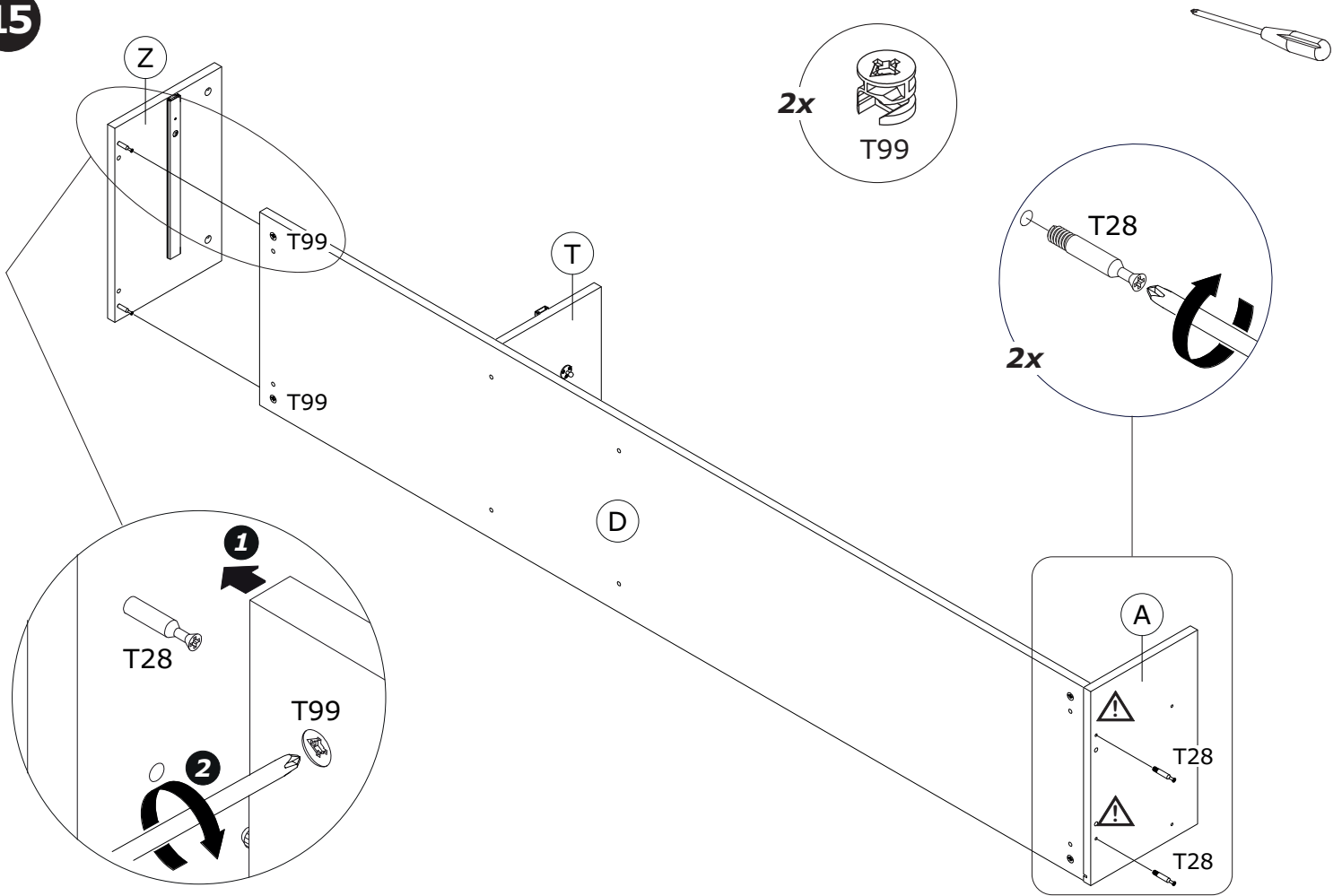
14



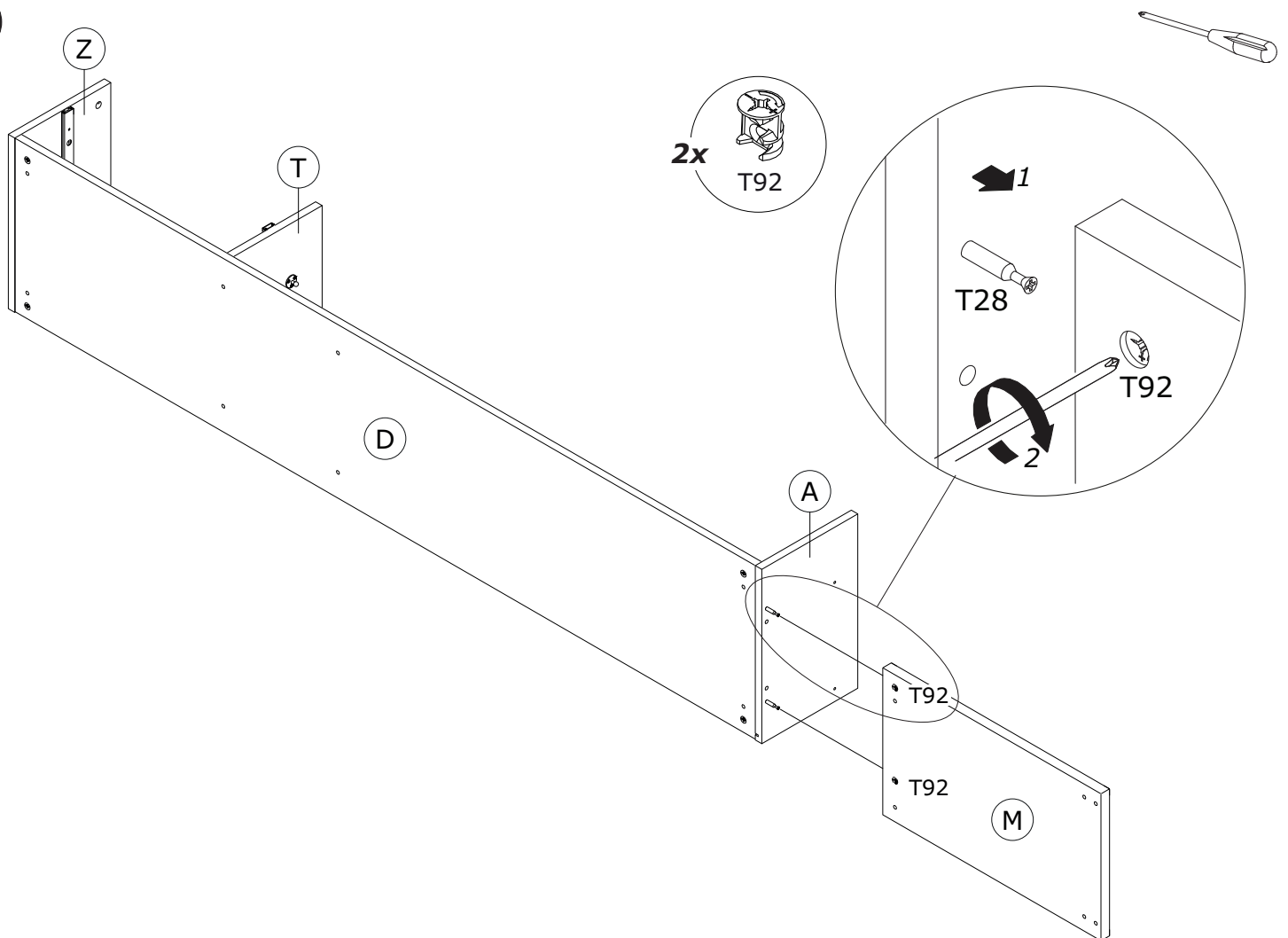
14



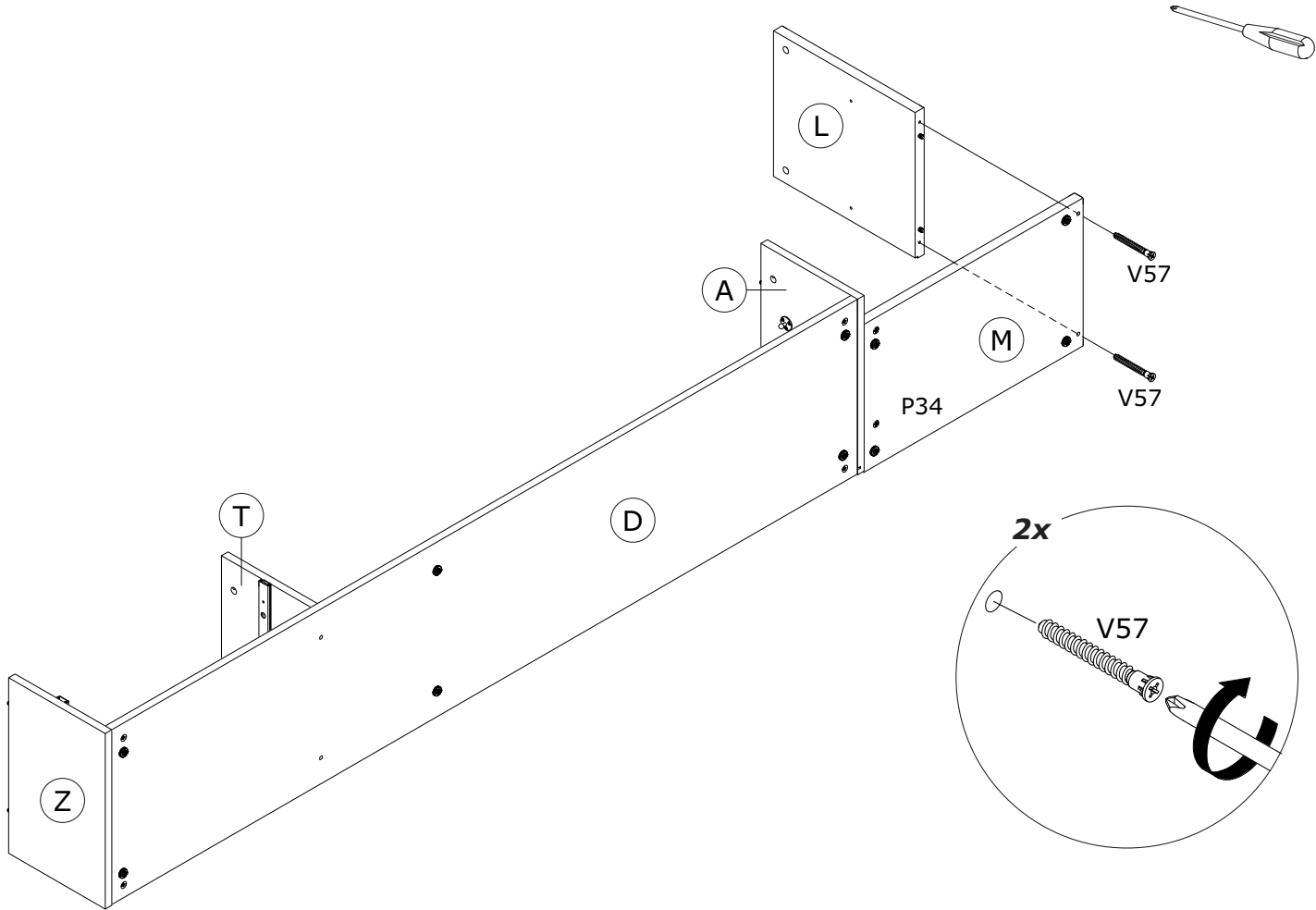
15



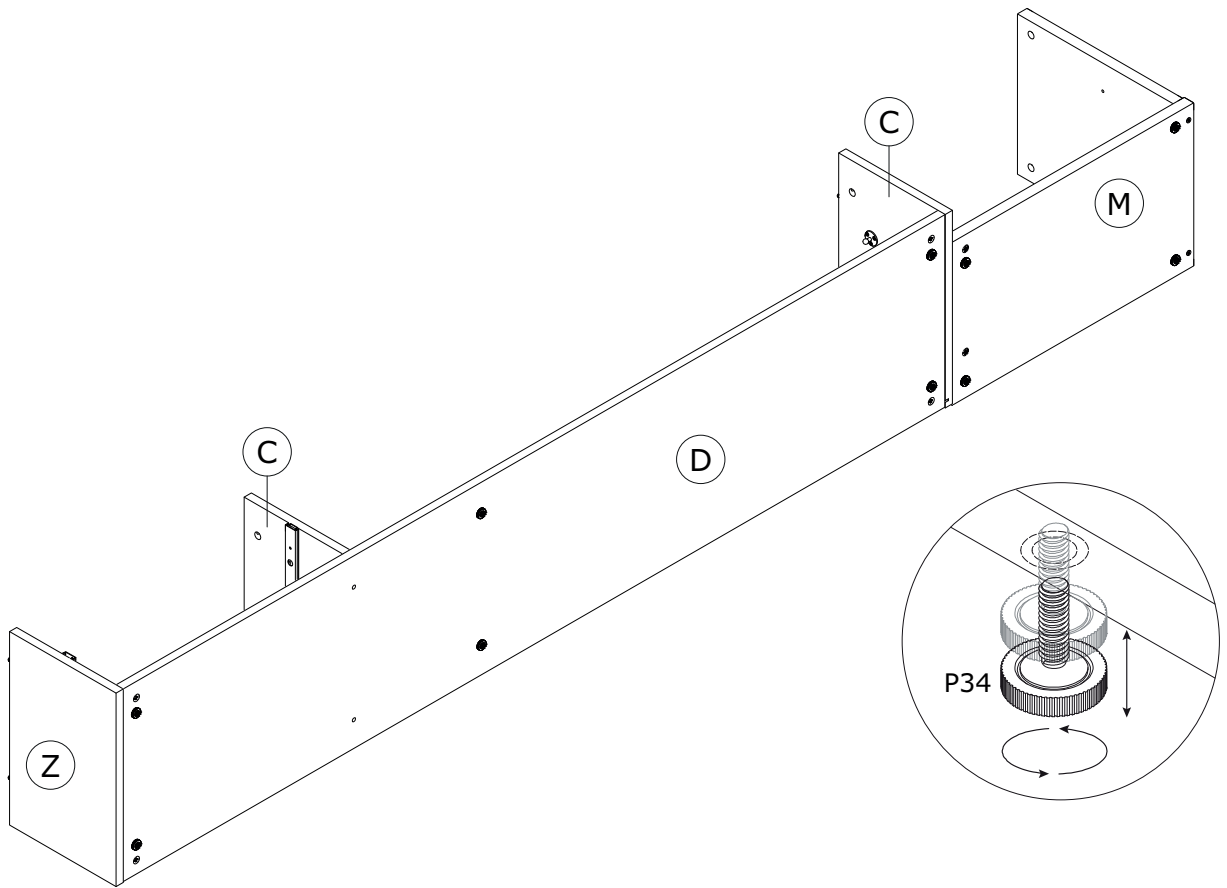
16



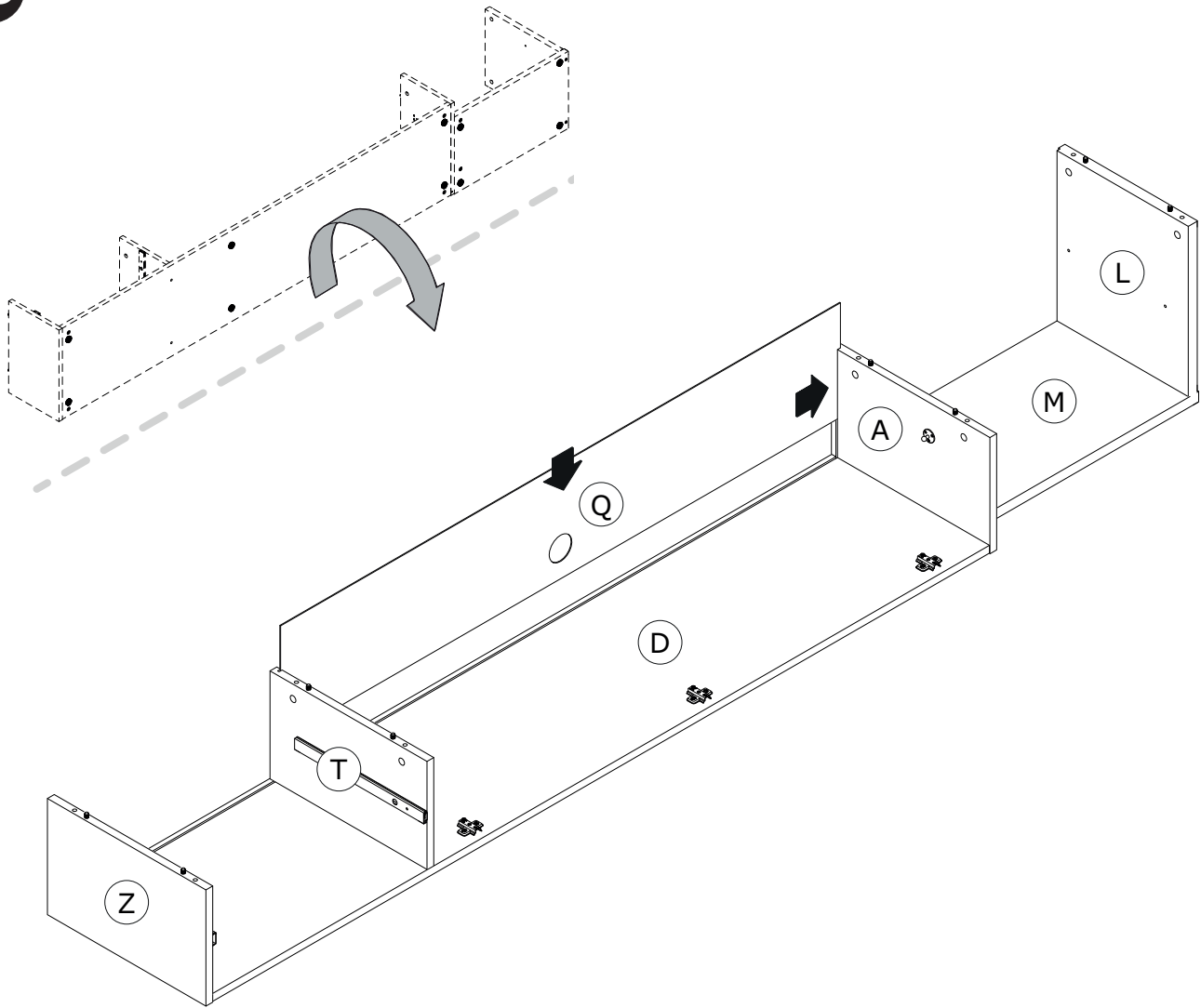
17



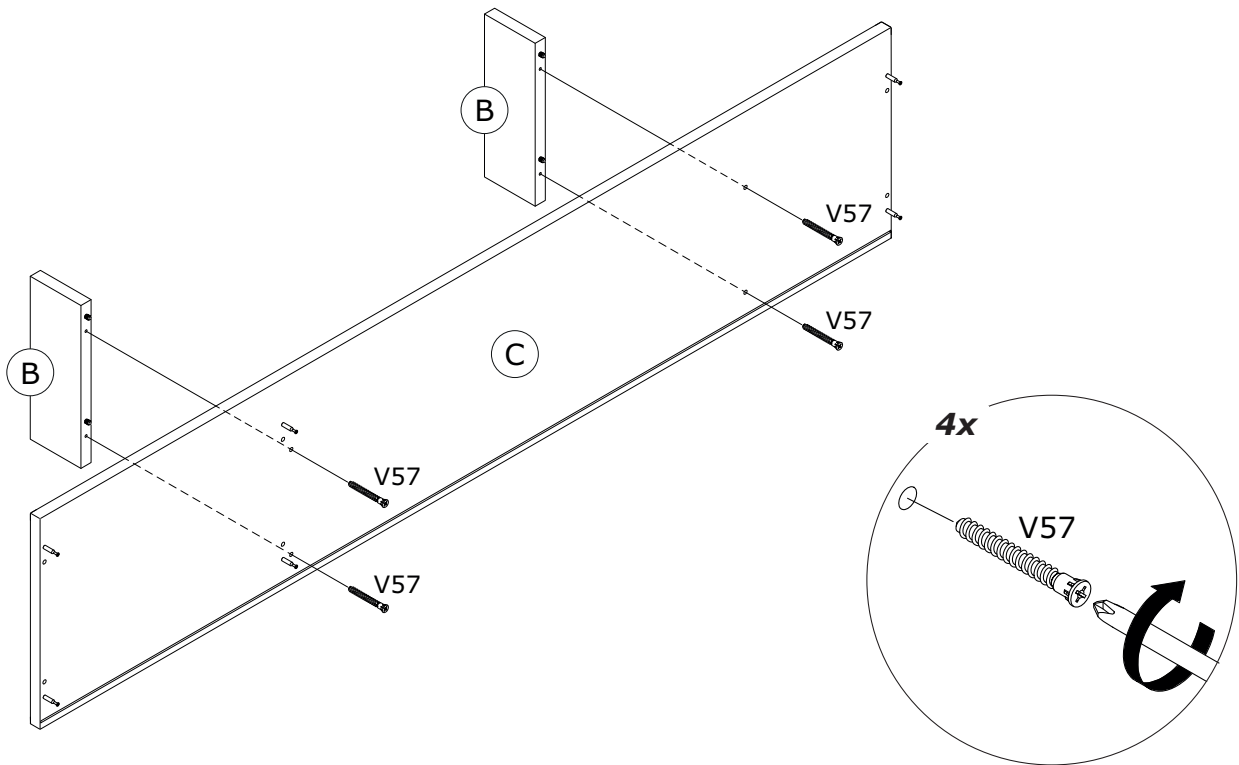
18



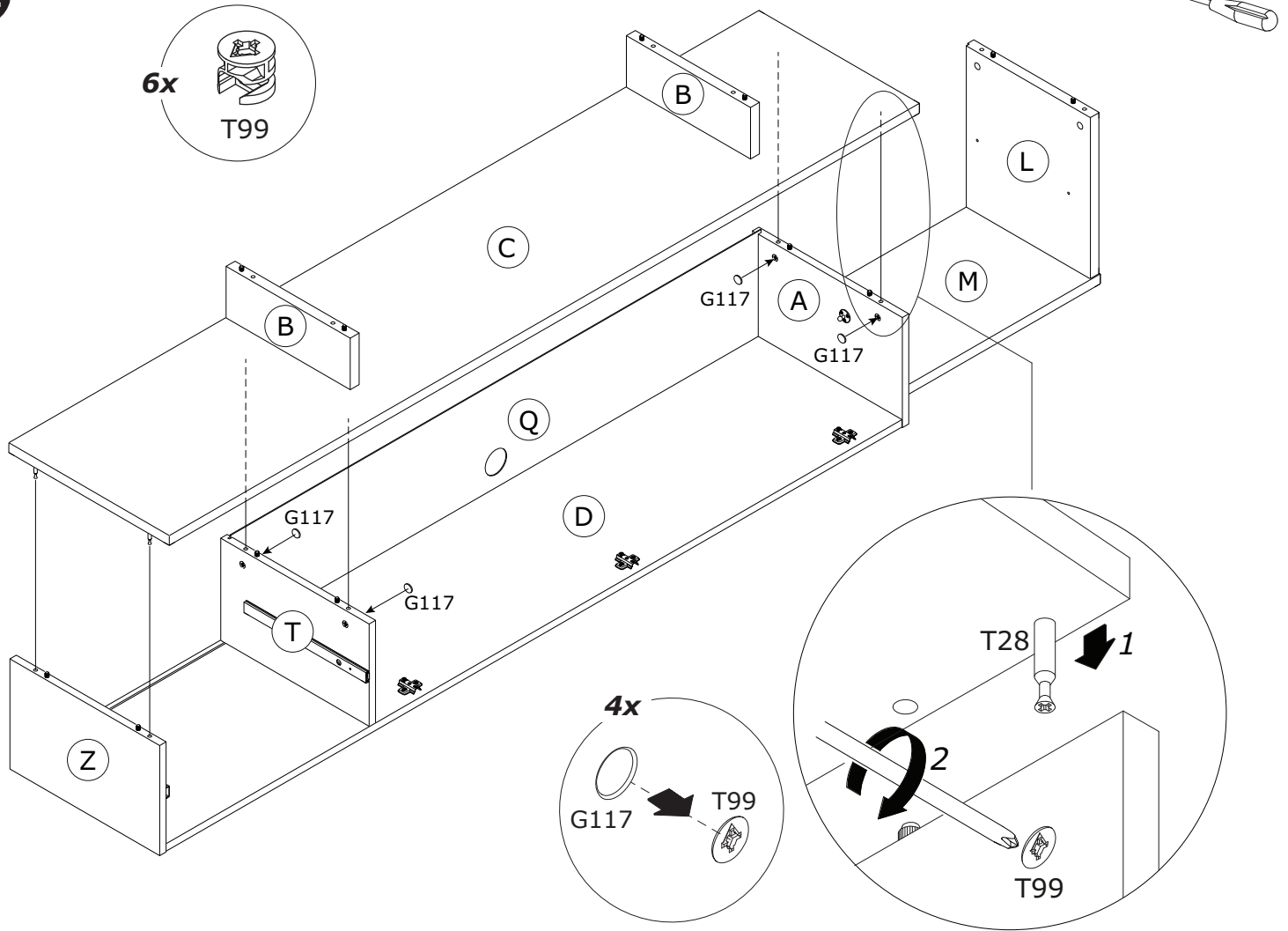
19



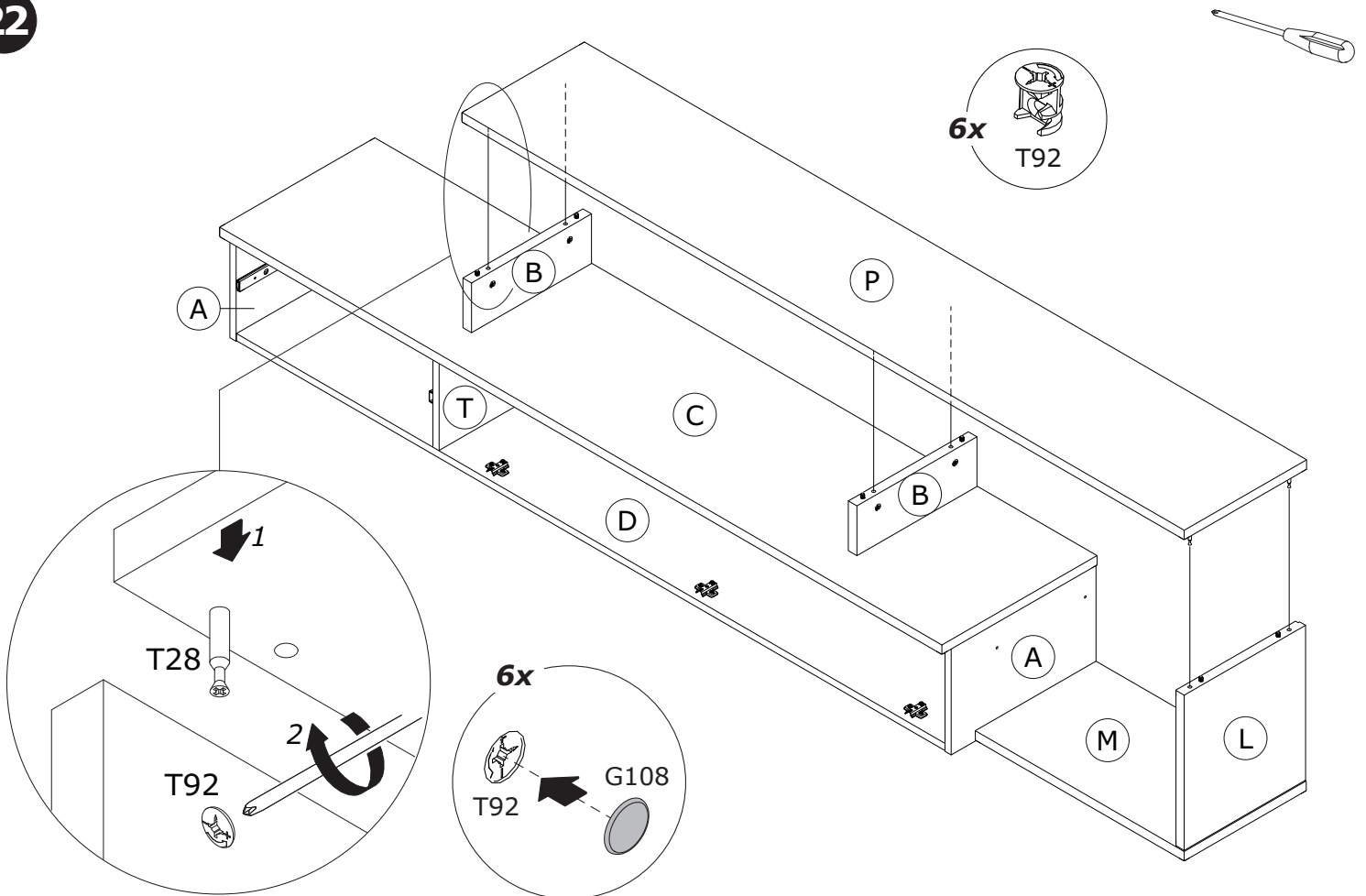
20



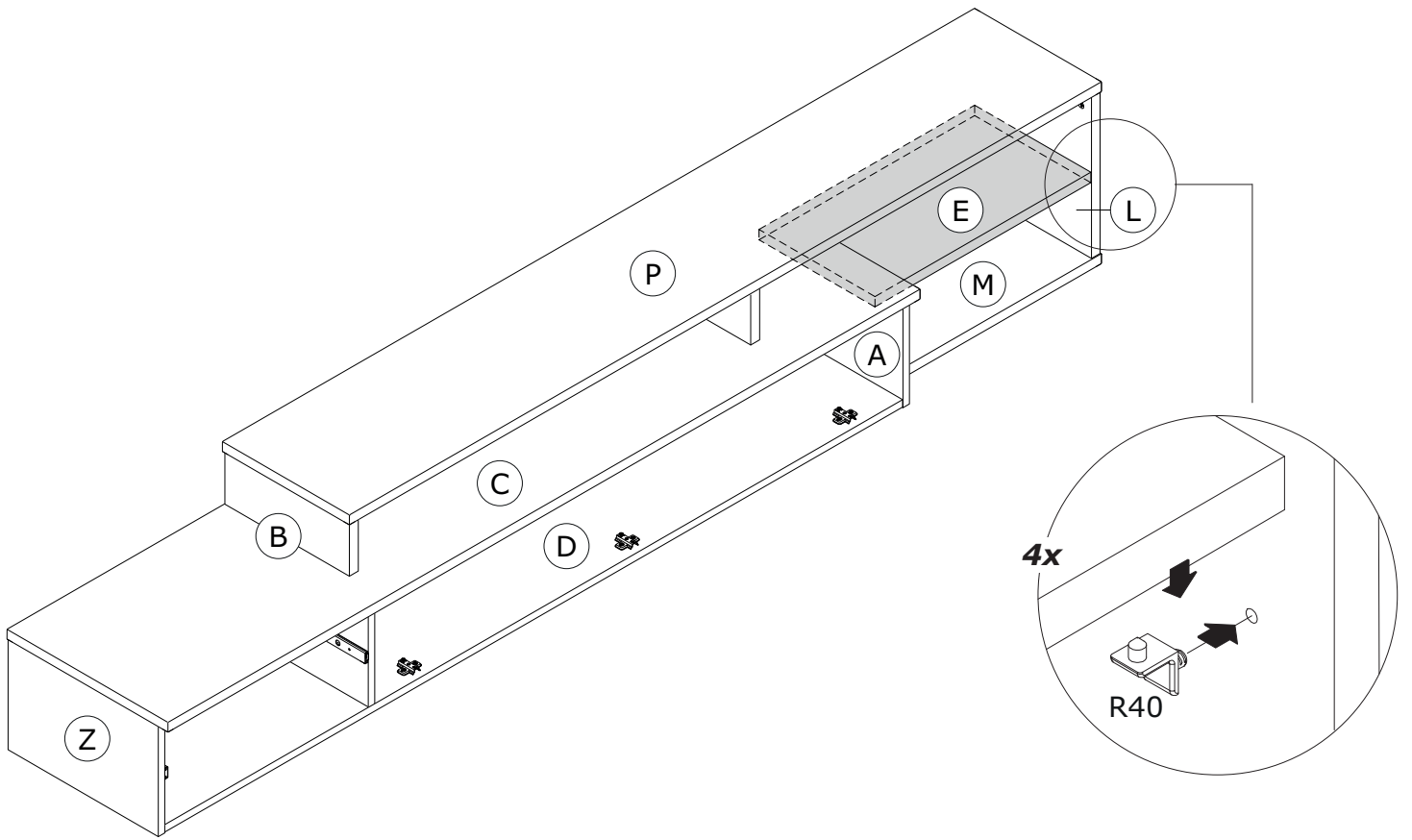
21



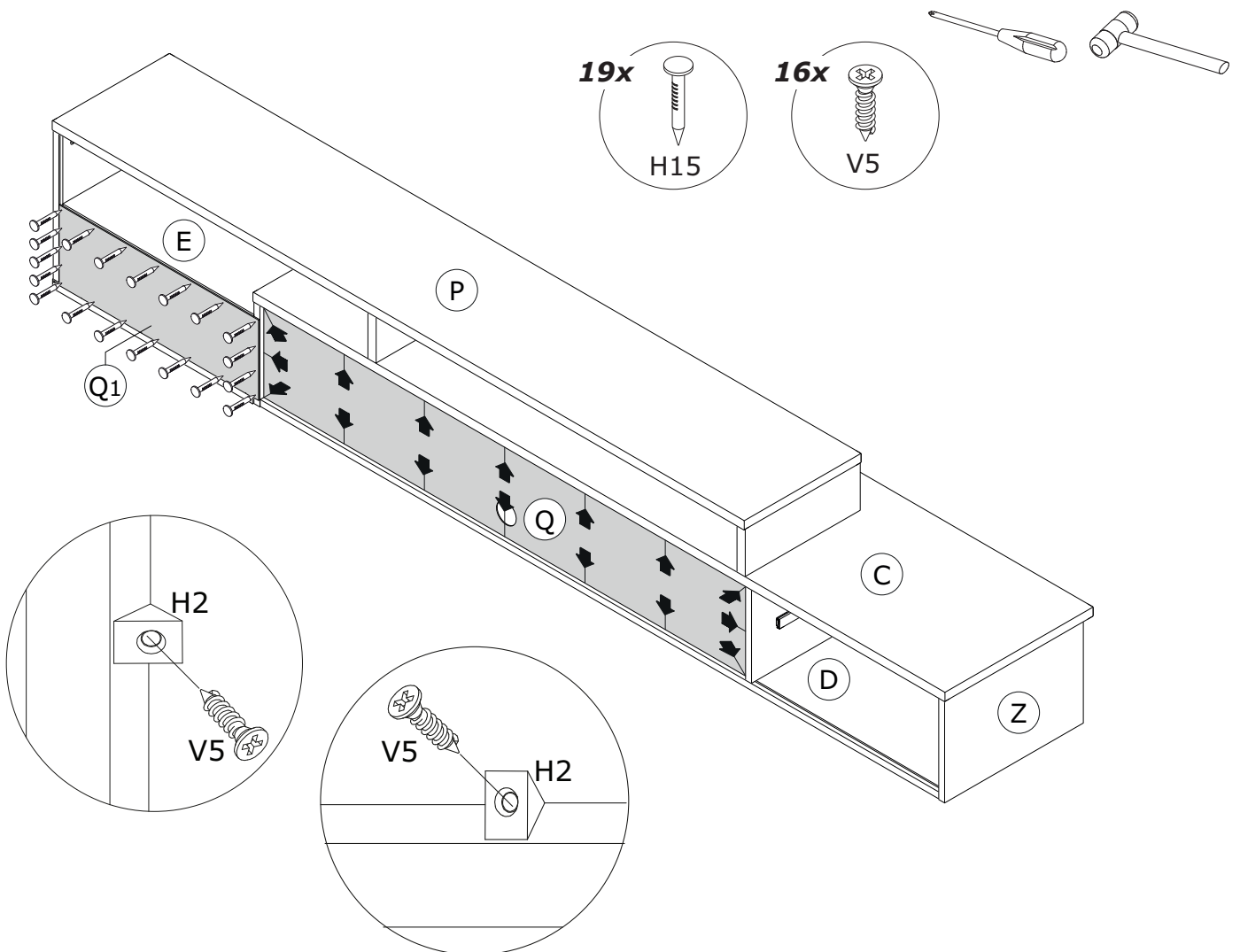
22

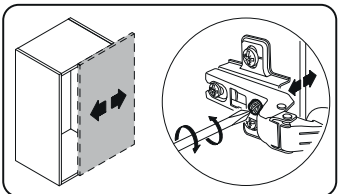
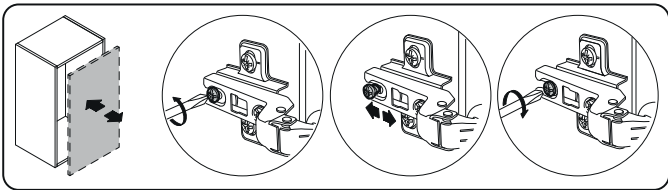
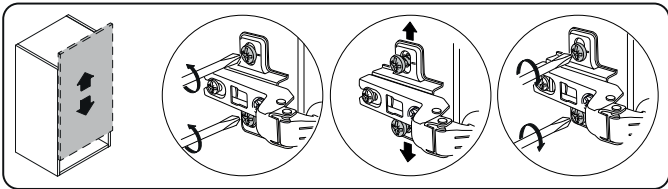
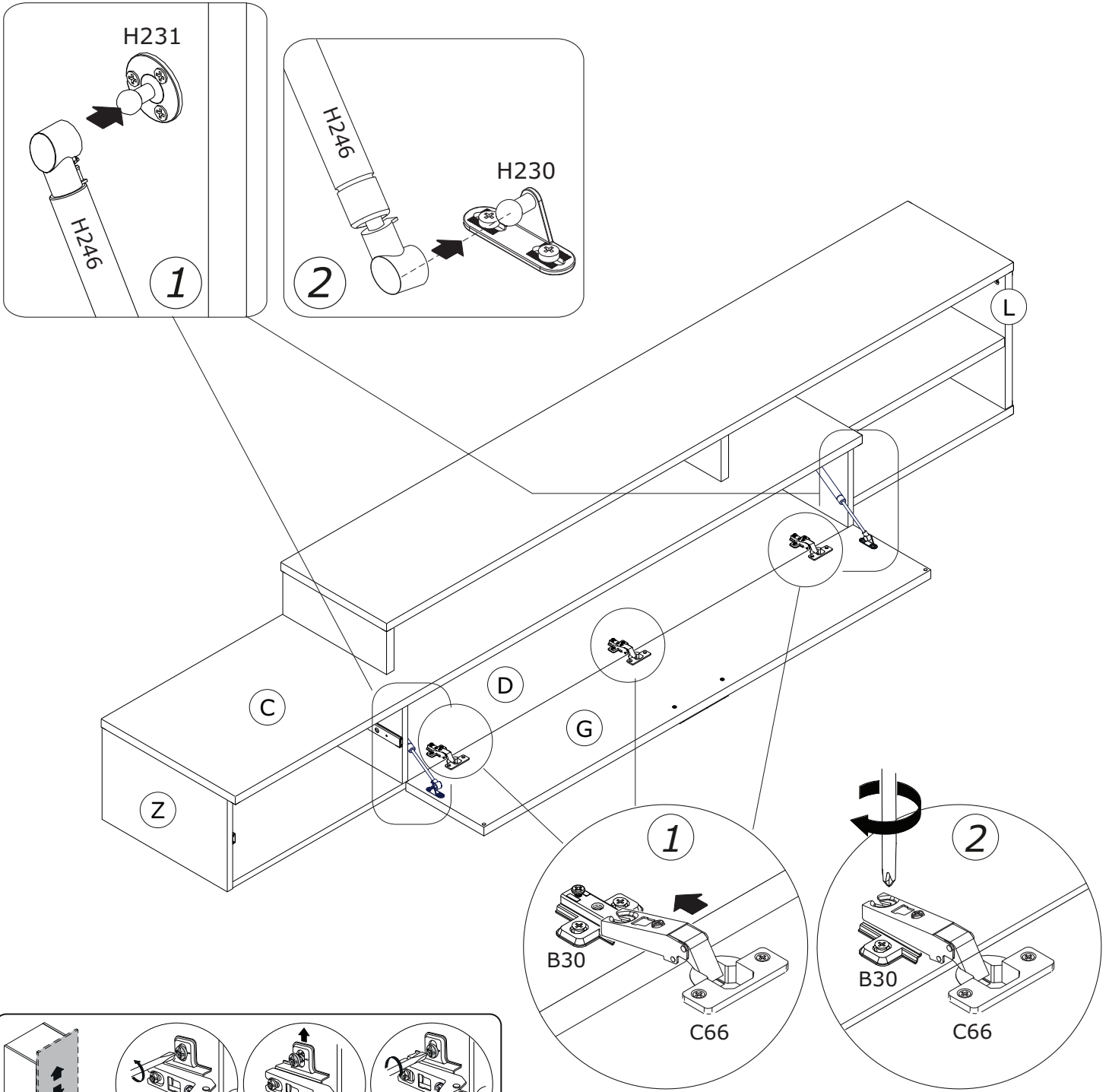
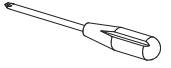


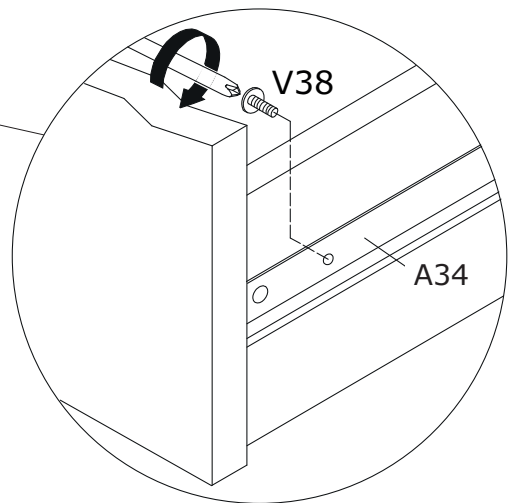
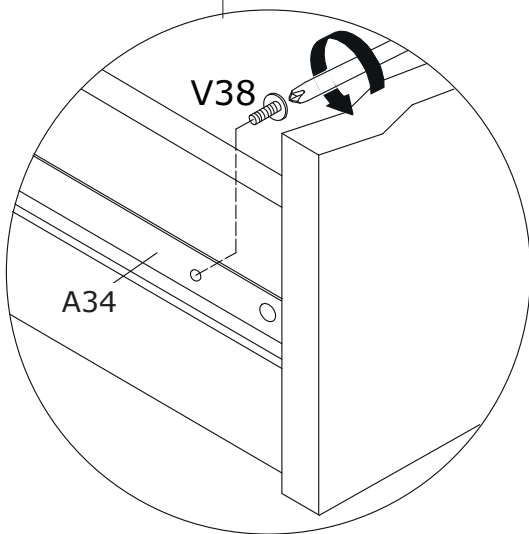
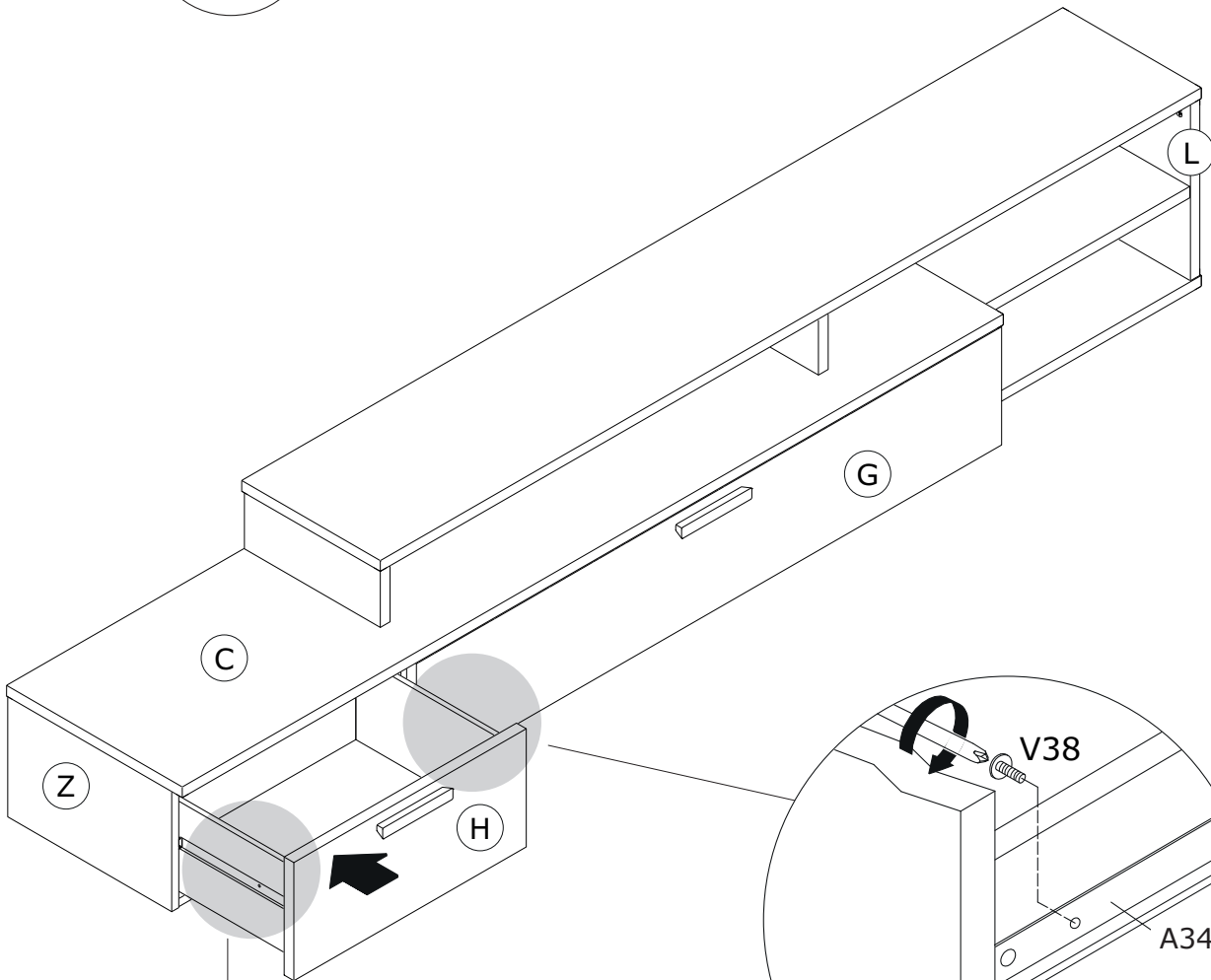
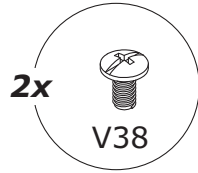
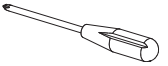
23



24

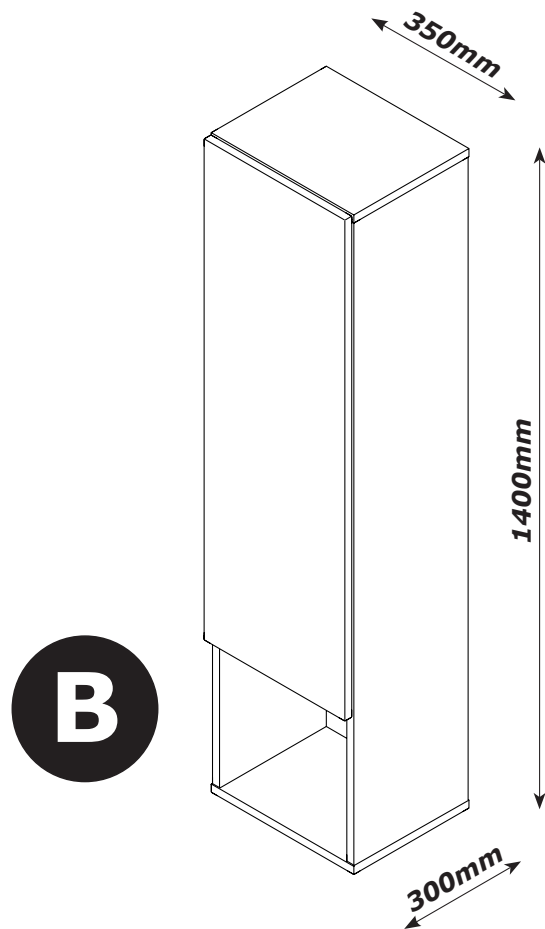
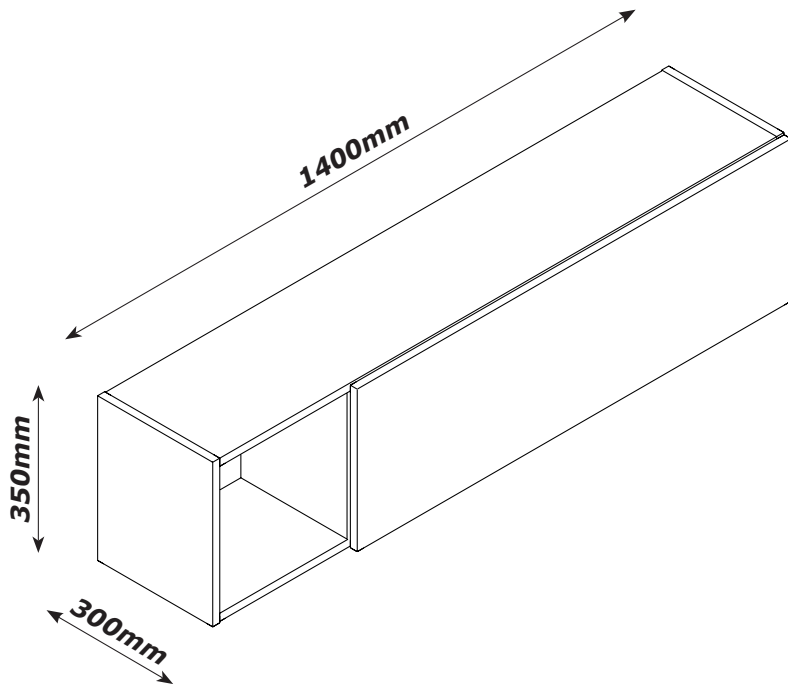




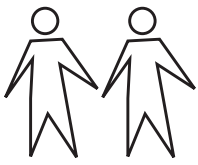




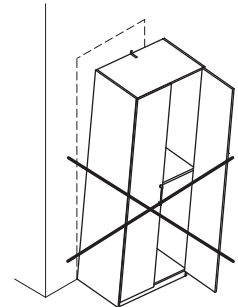
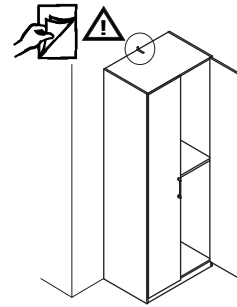
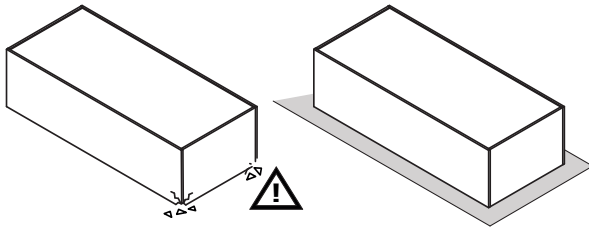
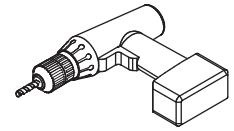
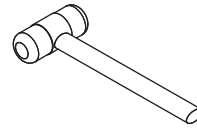
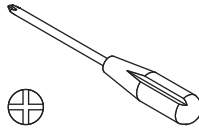
PN5347K62904



QF4898

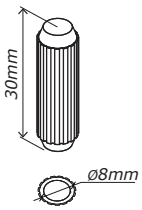


1,5h



BU4055

BU4003



H1
x12



T99
x12



T28
x12



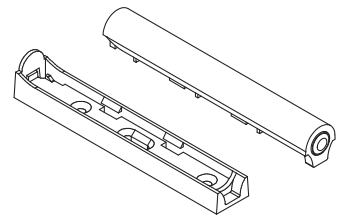
R5
x4



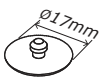
V19
x4



H54
x2



H274
x1



G108
x12



G107
x10



V5
x18



H2
x12

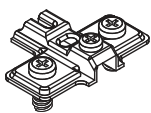


V23
x2

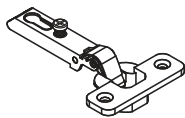


G119
x4

BU0346



B9
x3

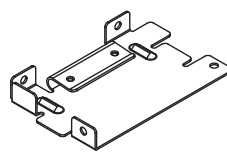


C1
x3

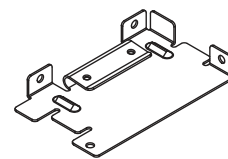


V5
x6

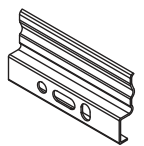
BU4030



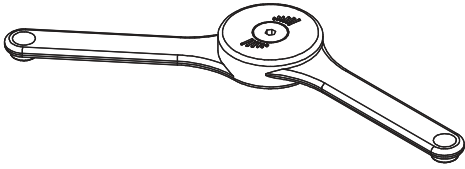
H303
x1



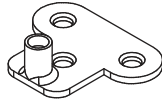
H304
x1



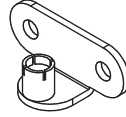
H305
x2



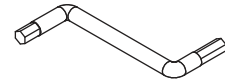
H245
x2



H109
x2



H110
x2

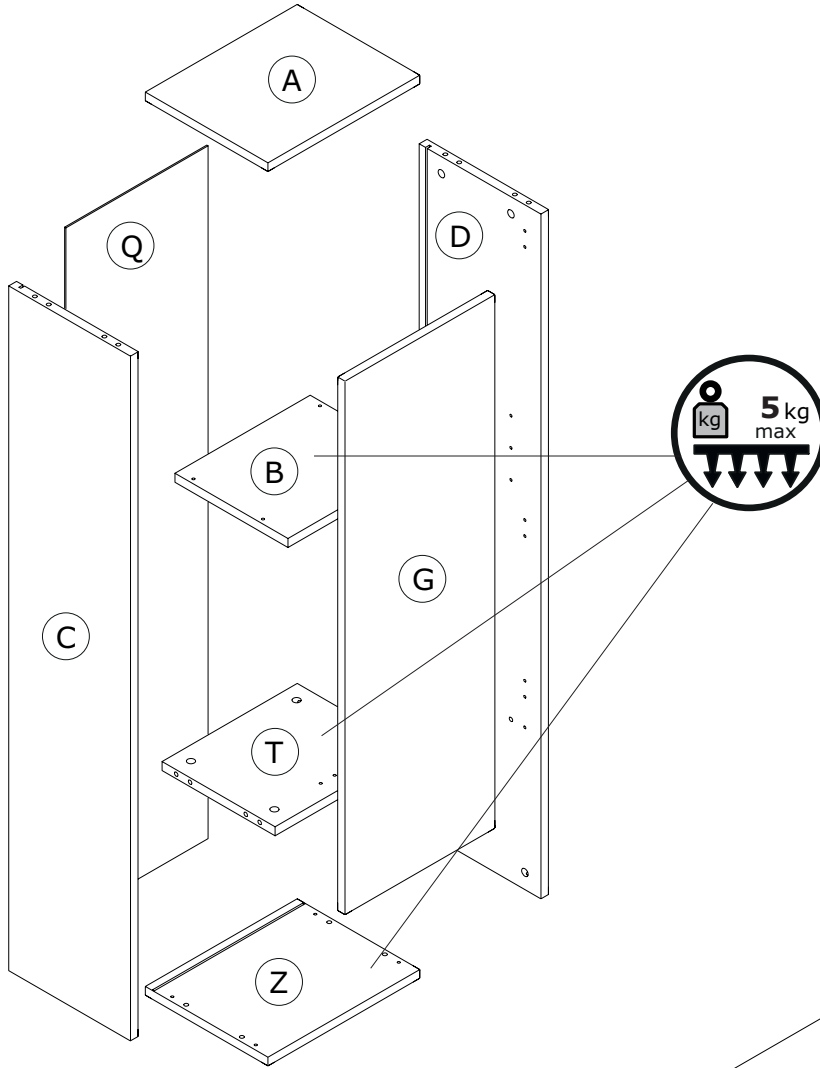


H3
x1

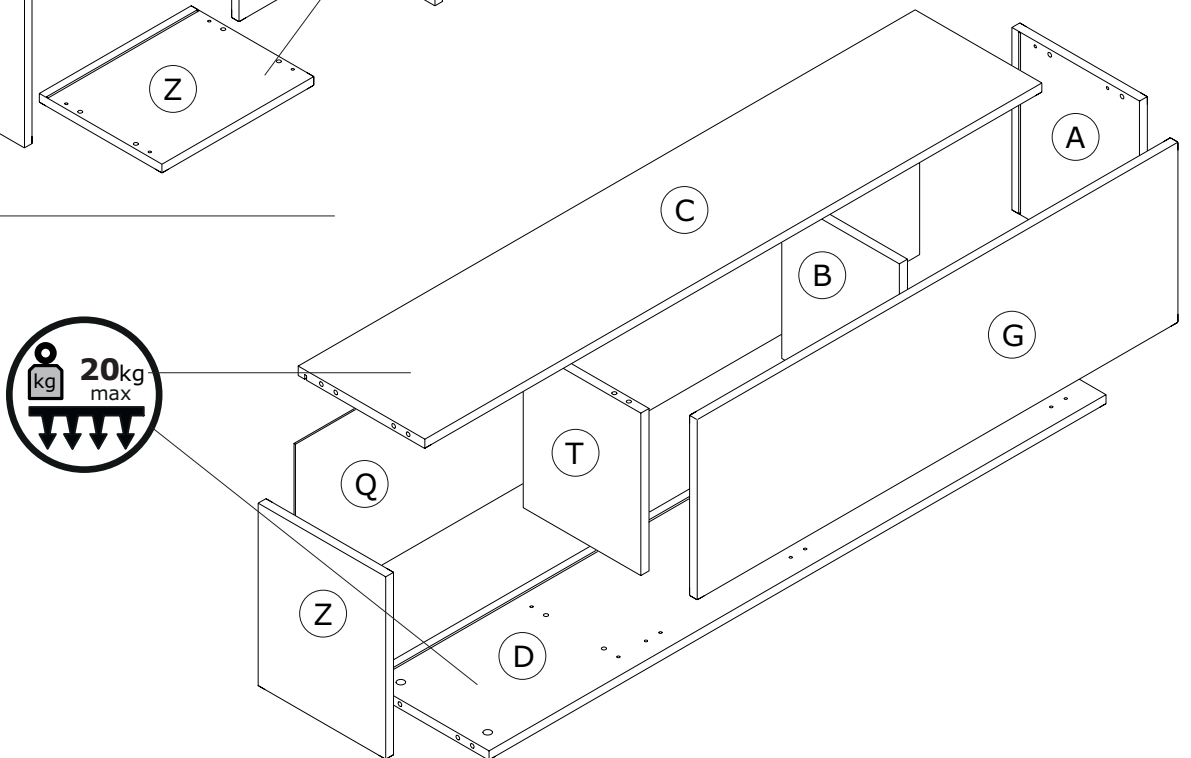


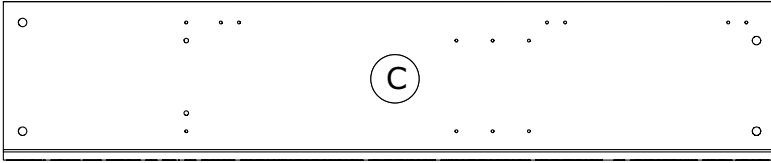
V13
x8

A

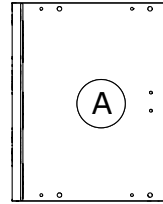


B

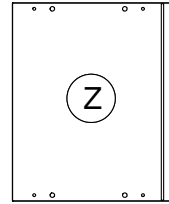




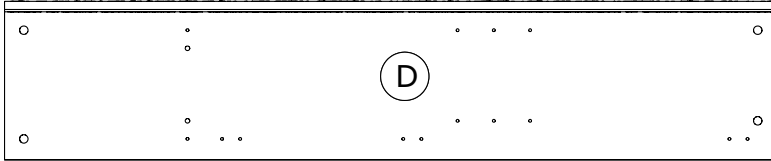
CA3450
1364x280x18mm



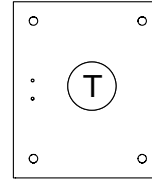
FI8393
350x282x18mm



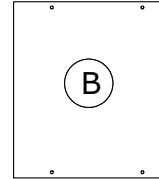
FI8394
350x282x18mm



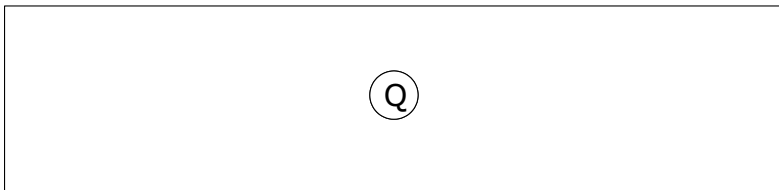
BA2116
1364x280x18mm



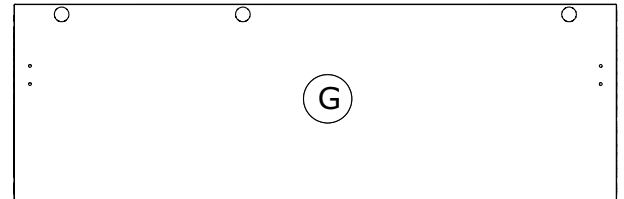
TR2145
311x260x18mm



PI7021
311x260x18mm

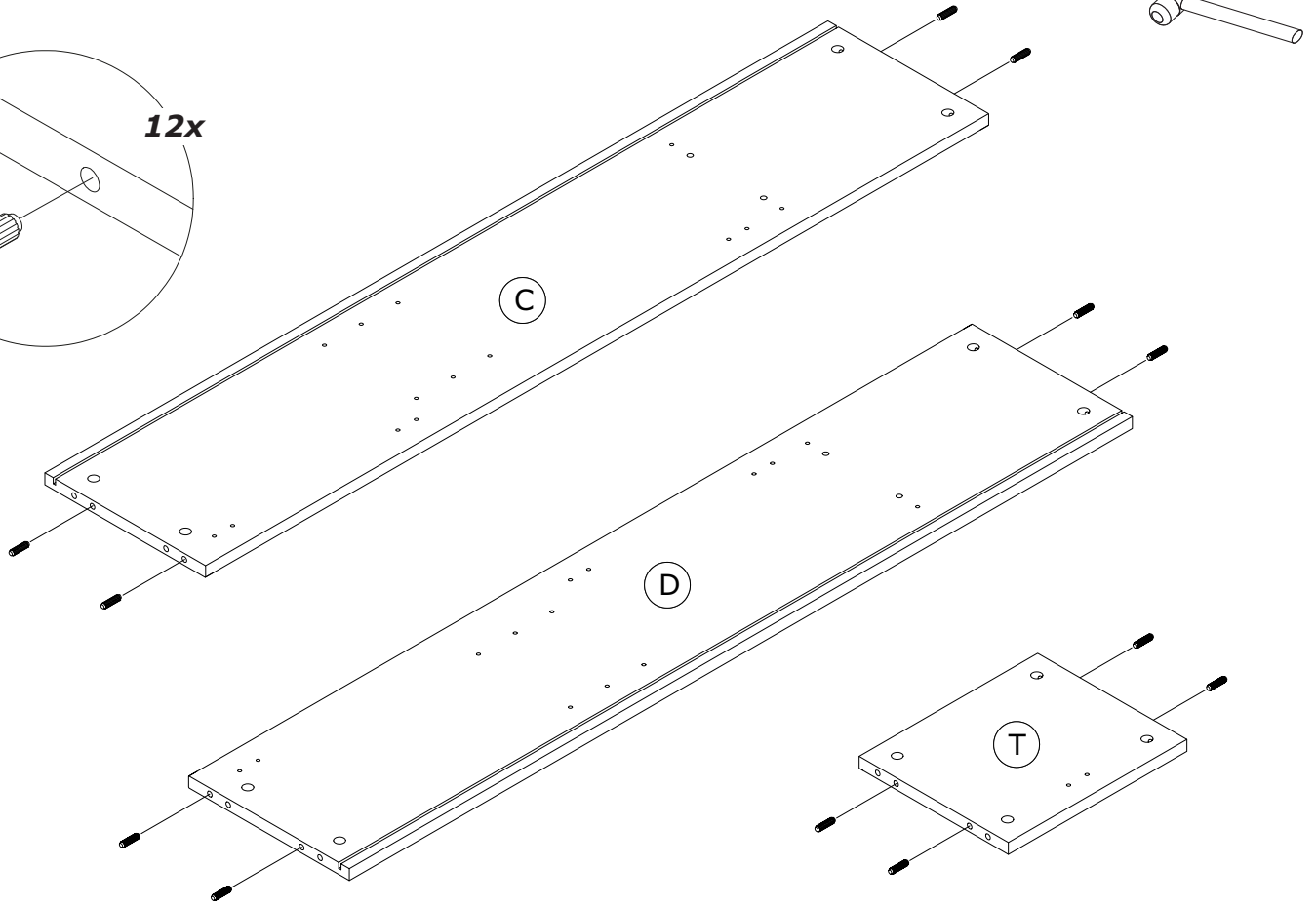
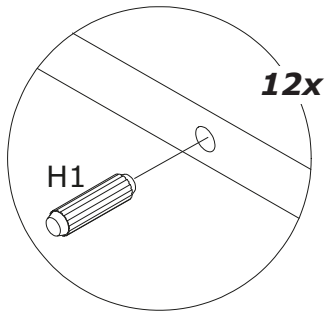


SH3208
1380x327x3mm

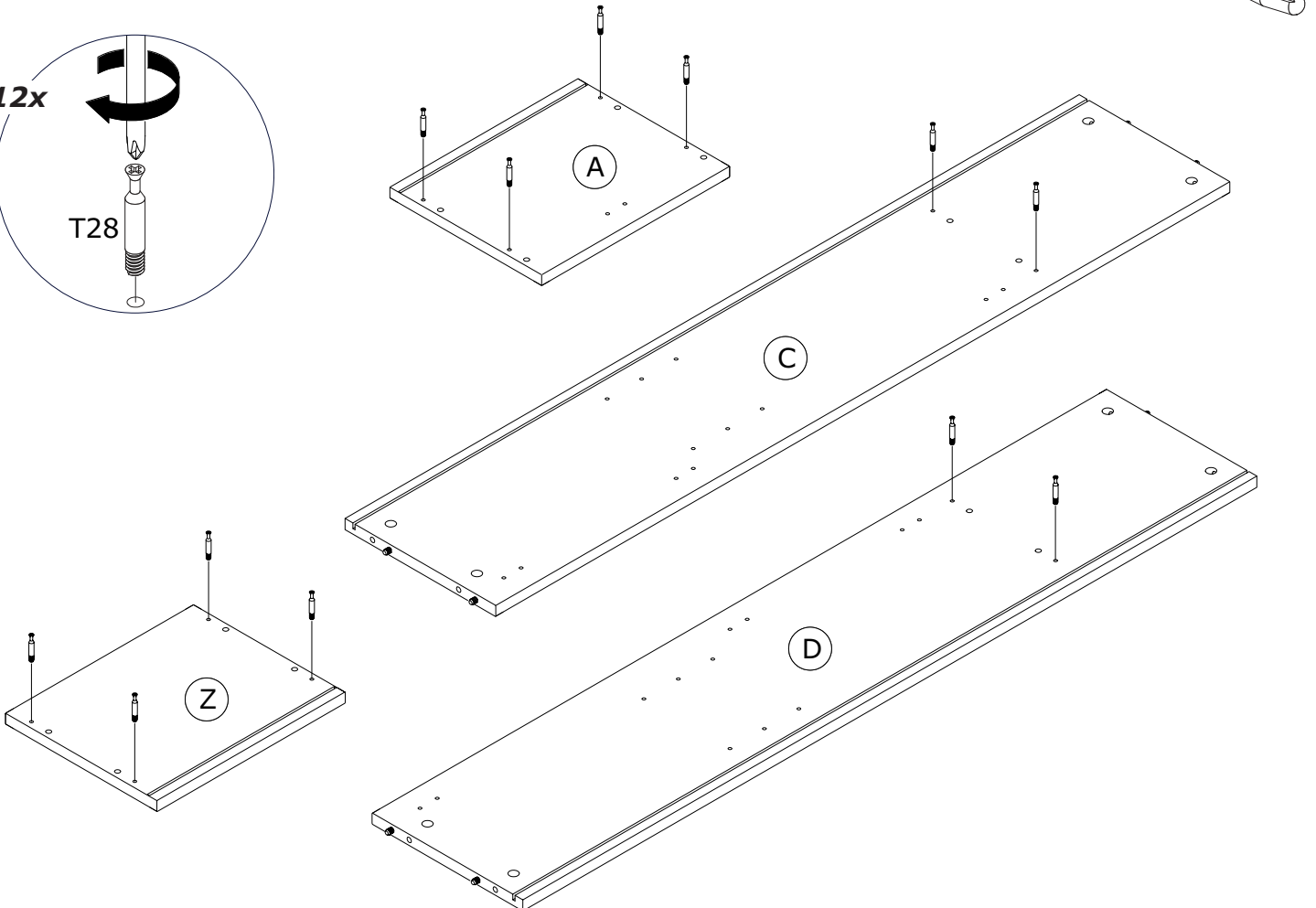
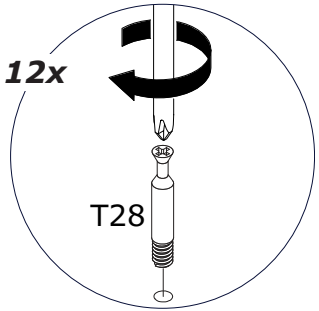


AN2759
1064x346x18mm

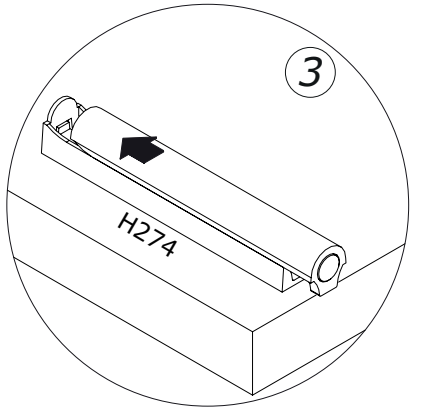
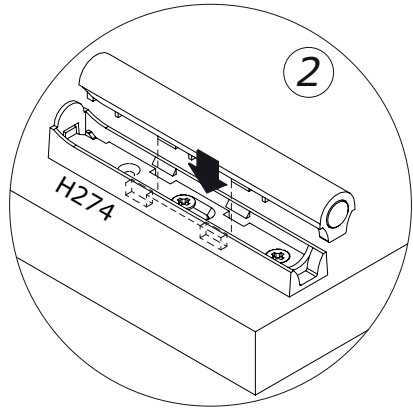
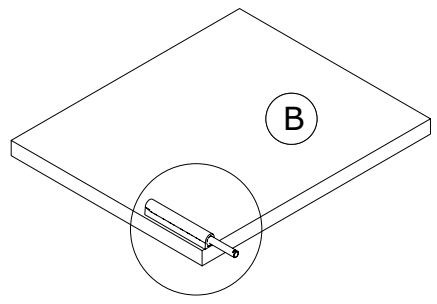
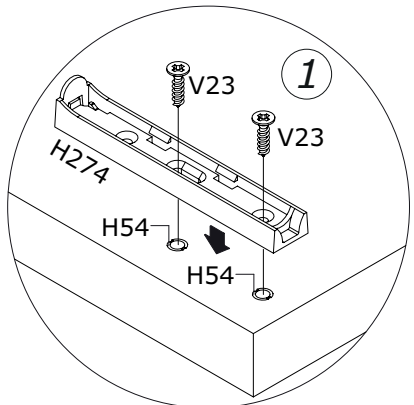
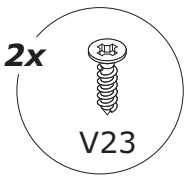
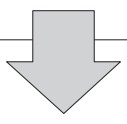
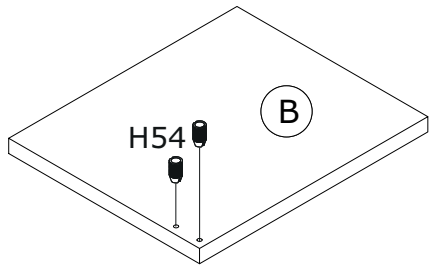
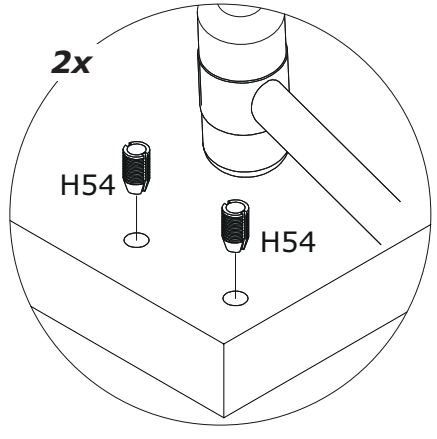
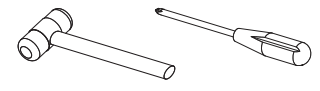
1



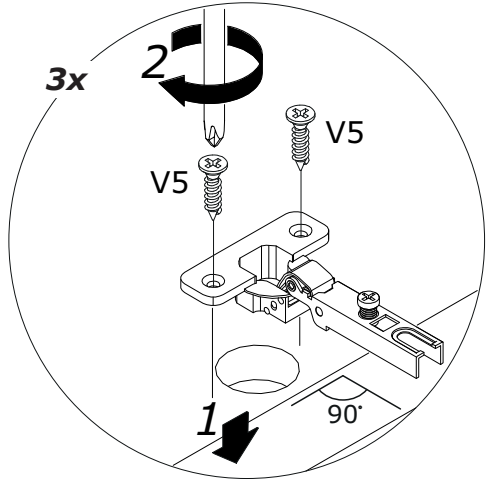
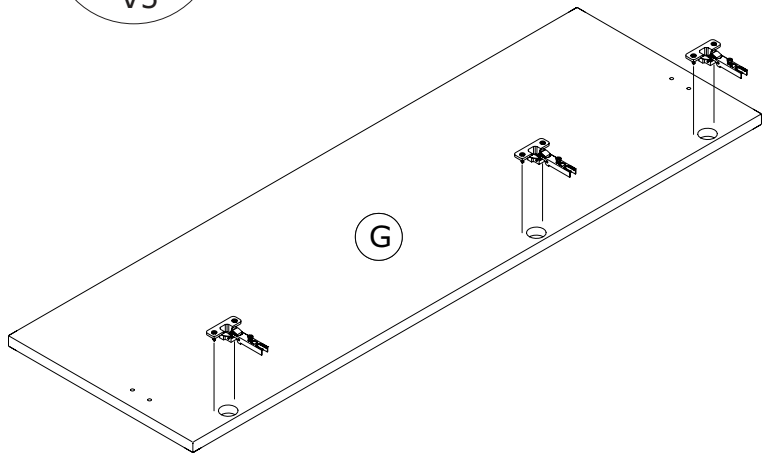
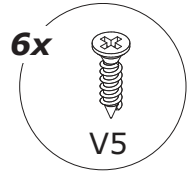
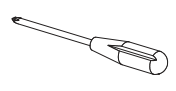
2



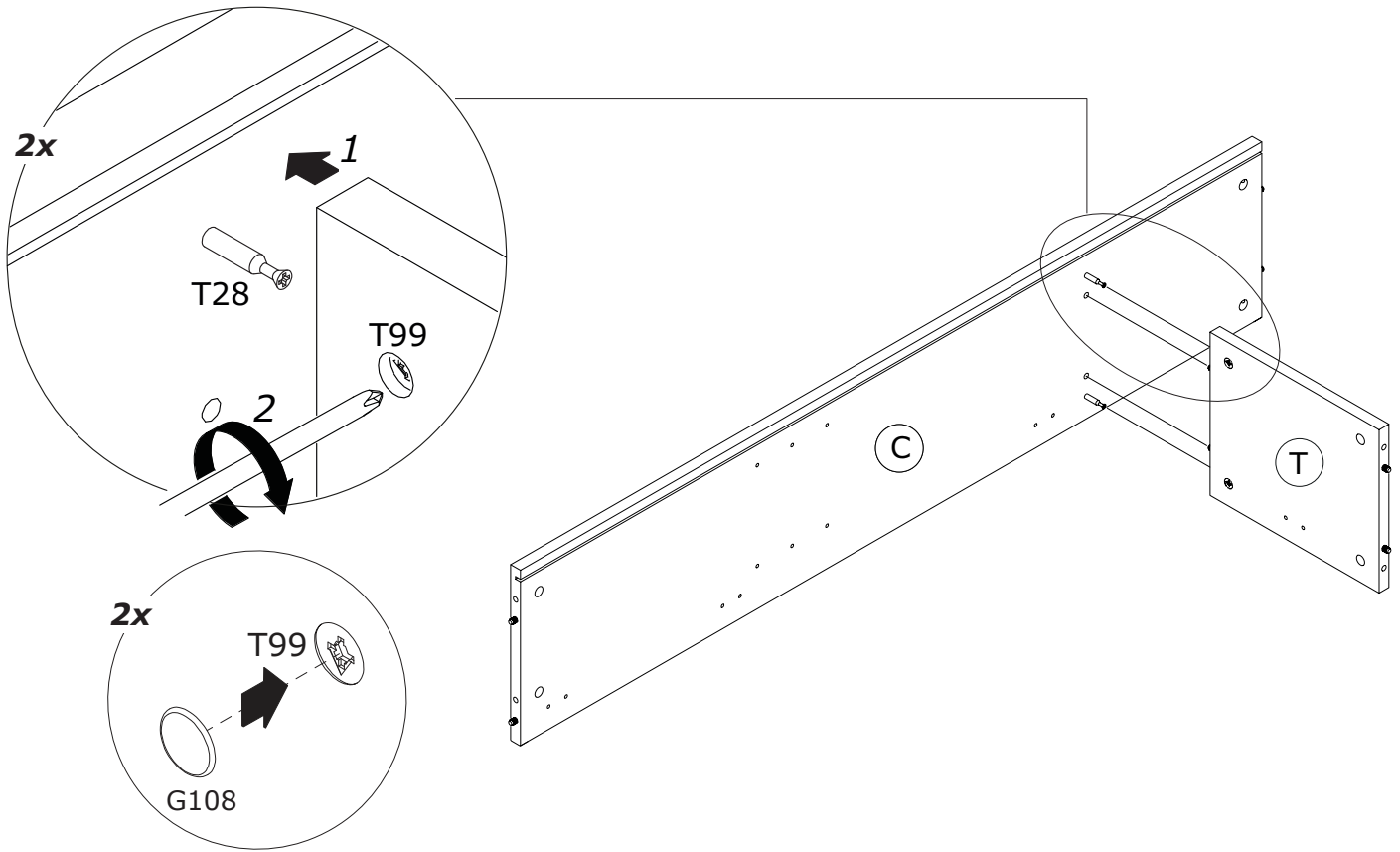
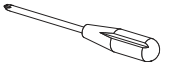
3



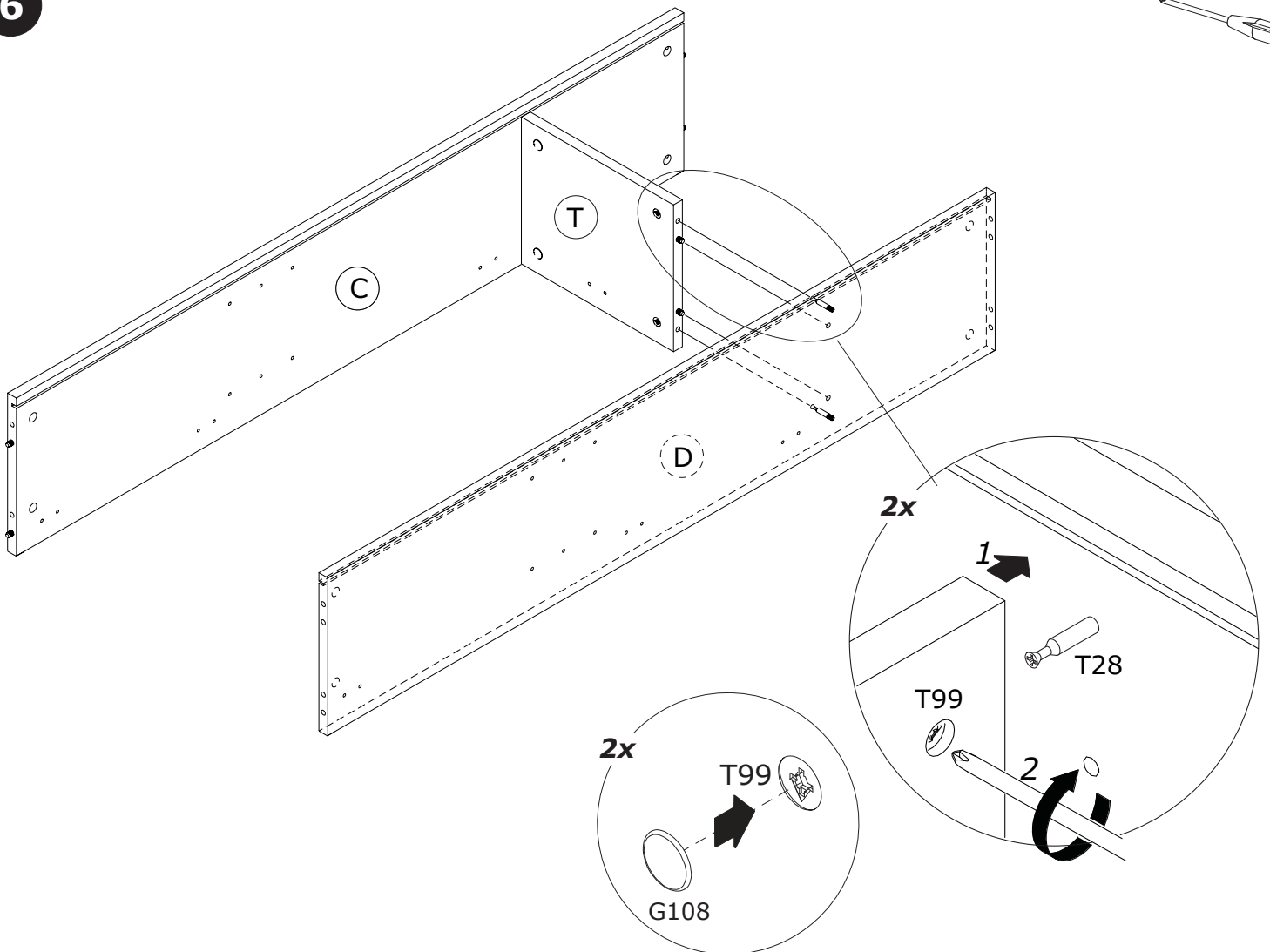
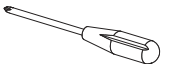
4



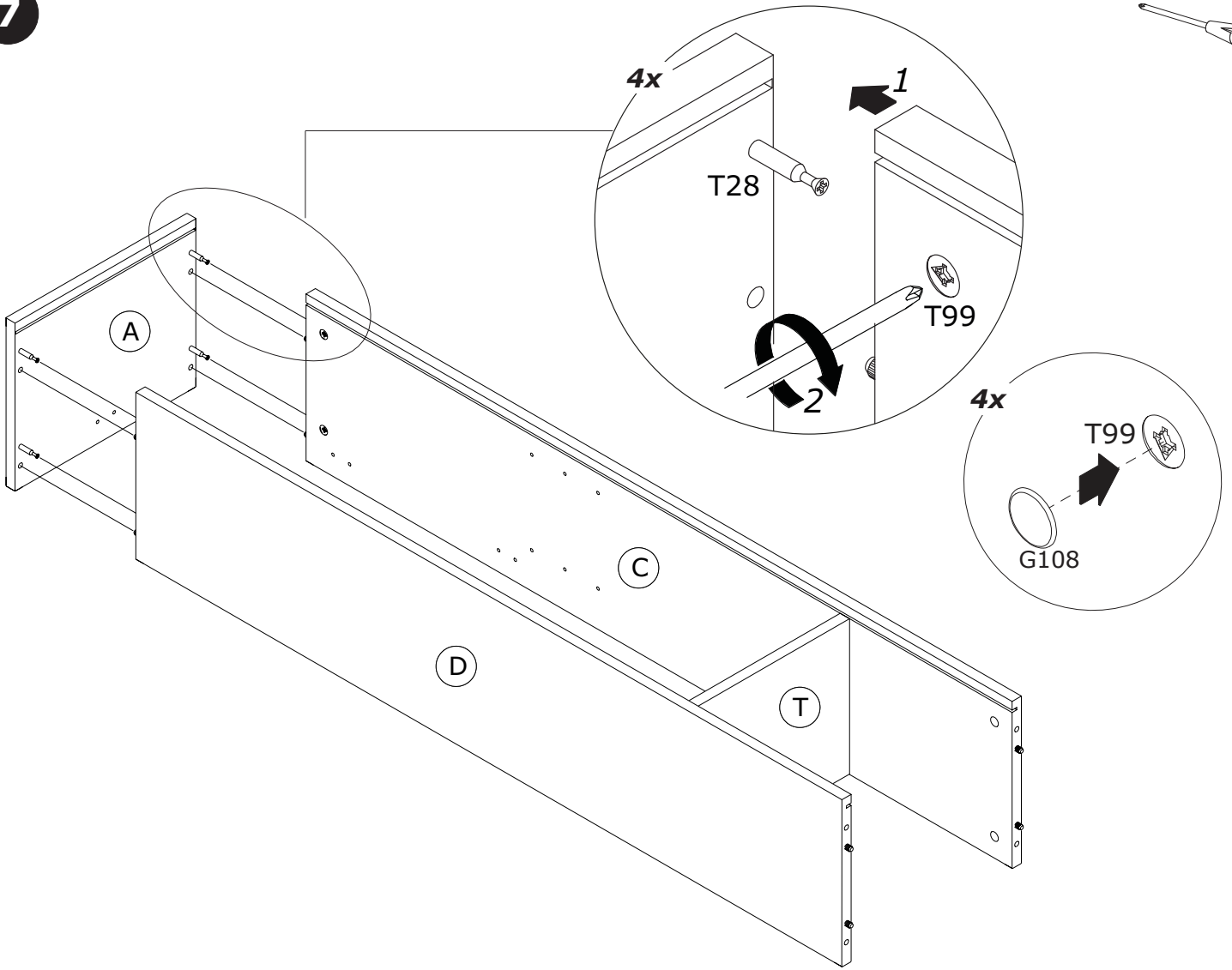
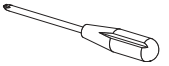
5



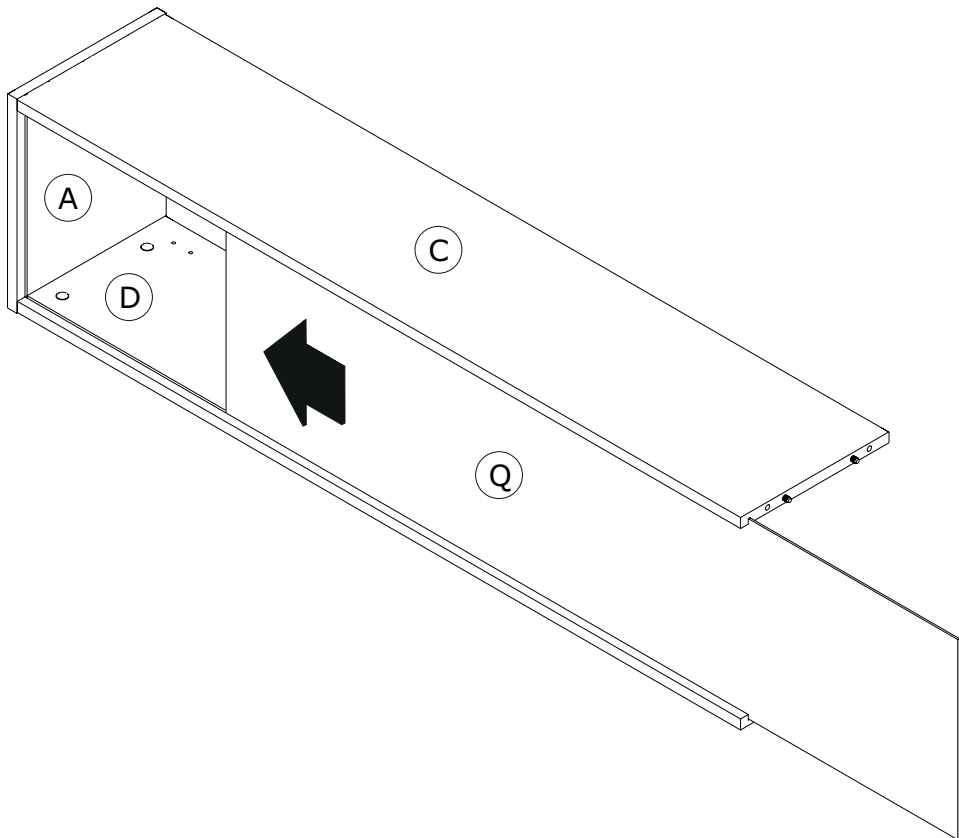
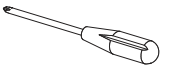
6



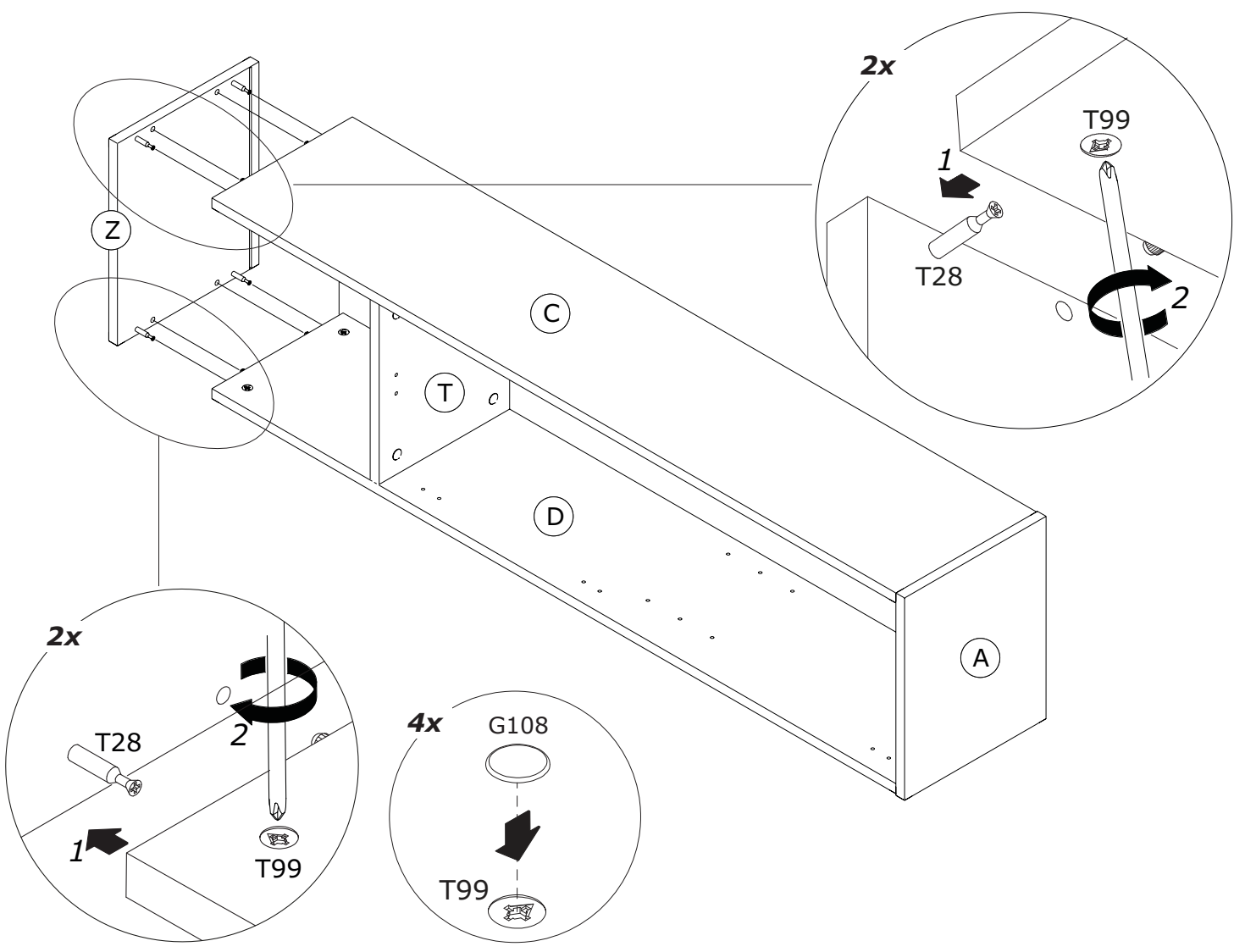
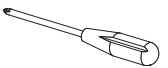
7



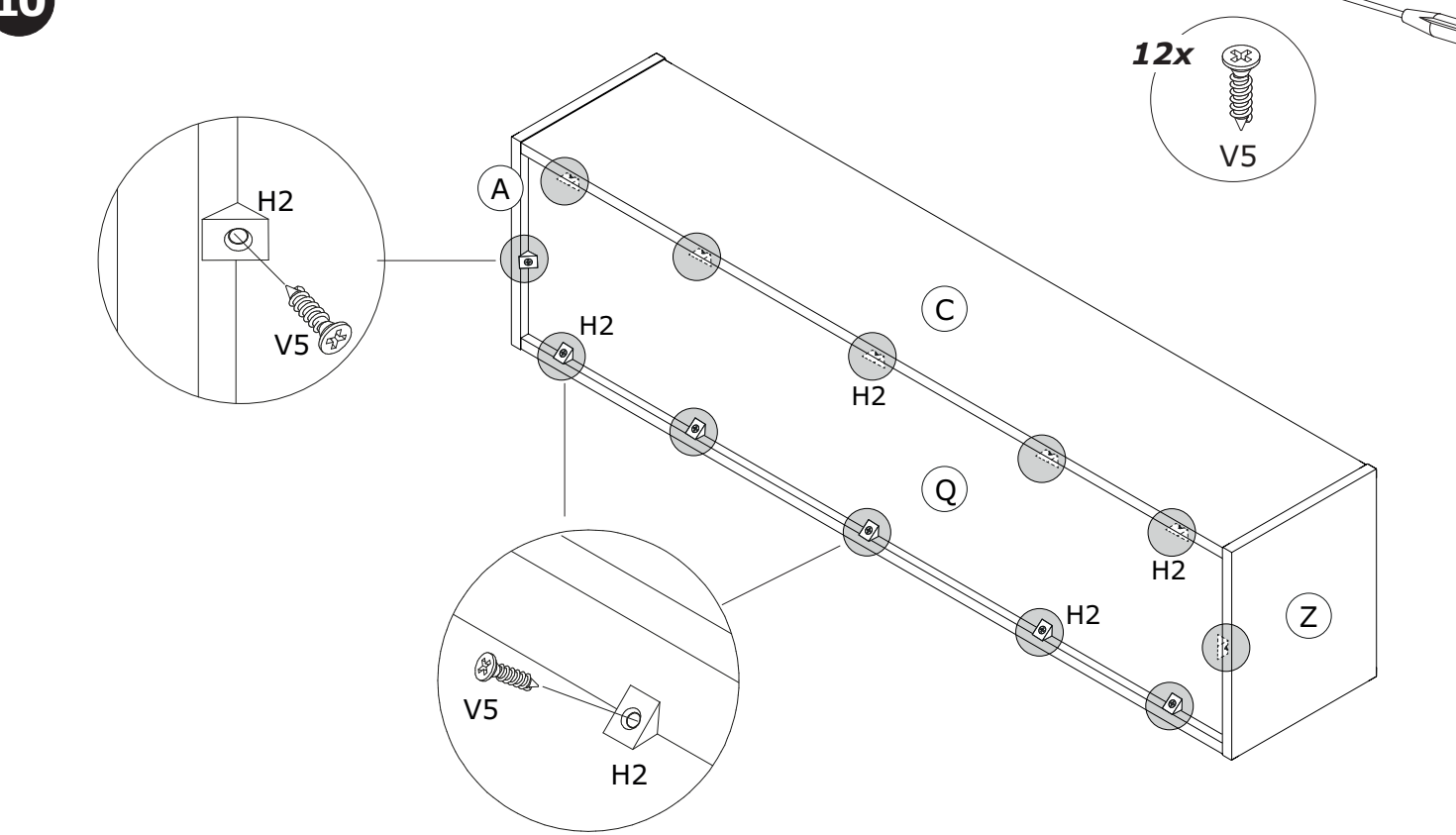
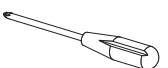
8



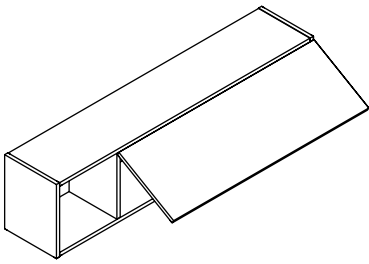
9



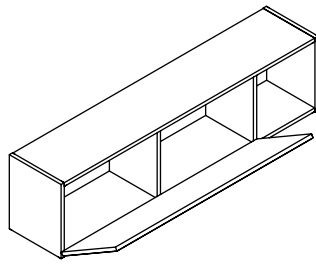
10



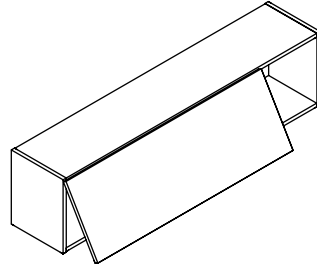
A



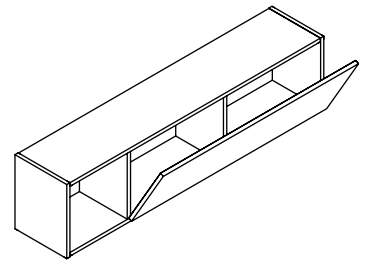
a



a1

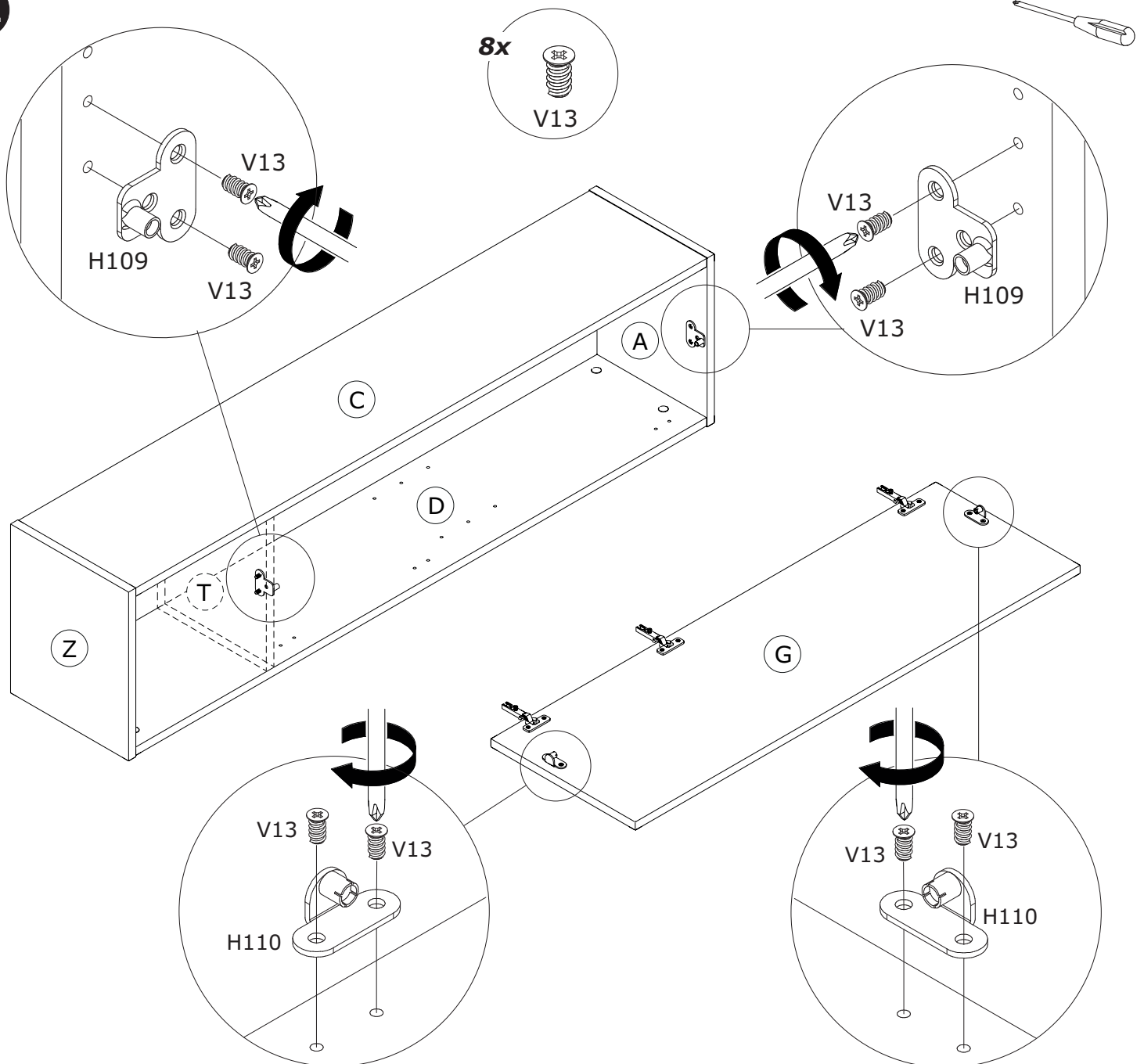


a2

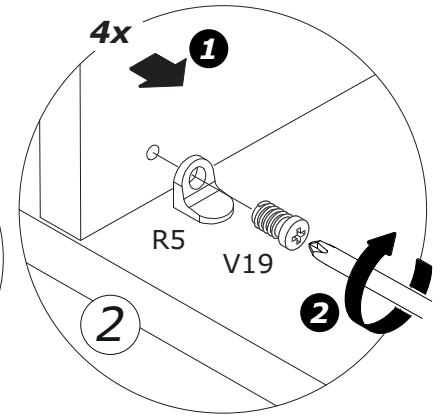
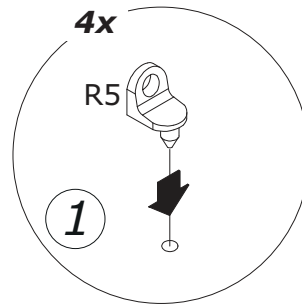
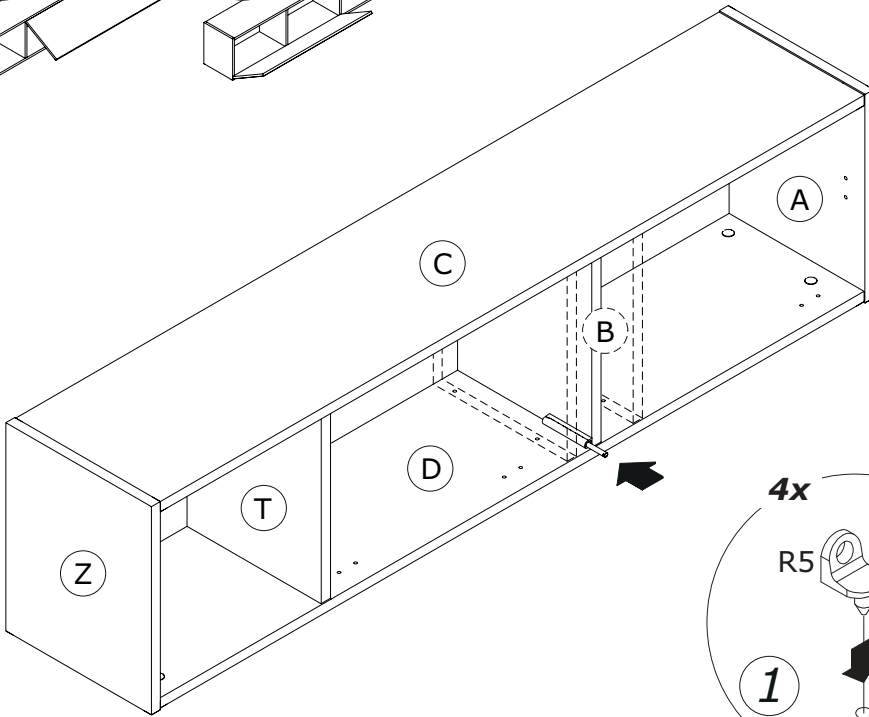
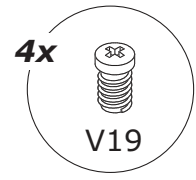
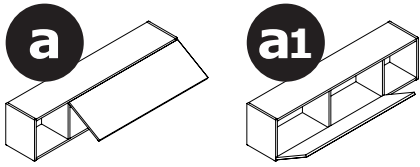
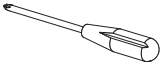


a3

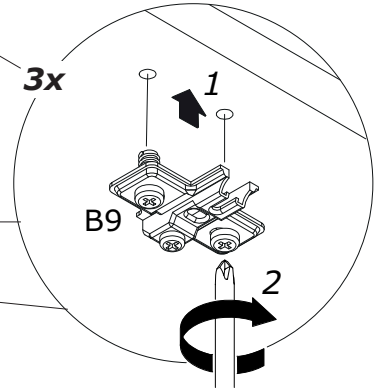
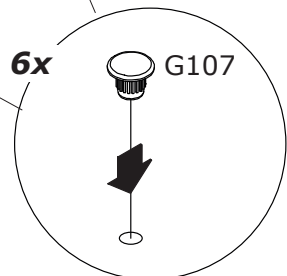
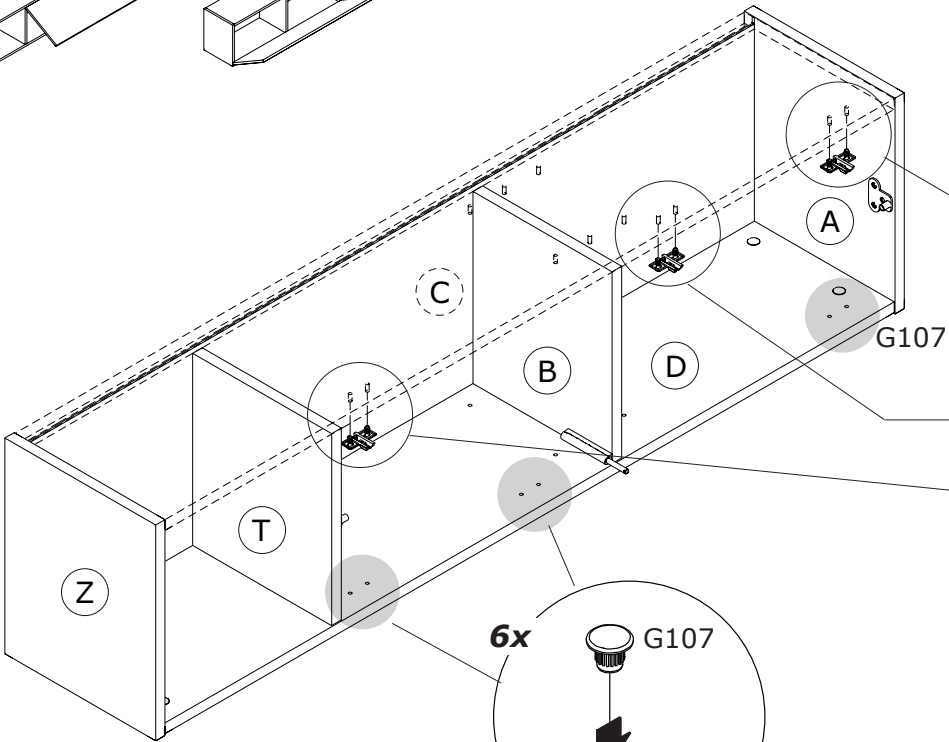
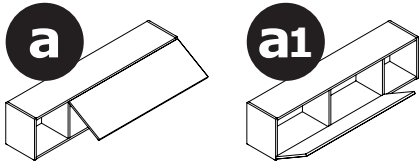
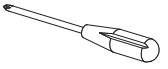
11



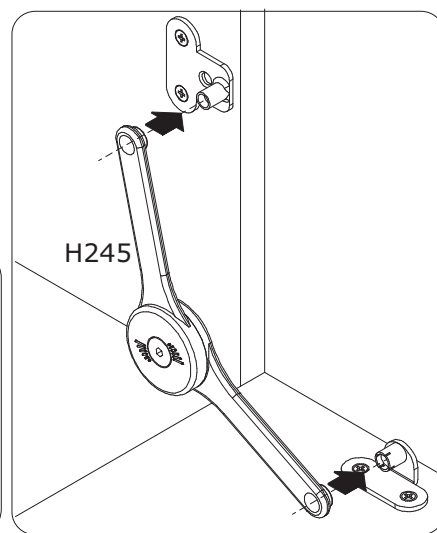
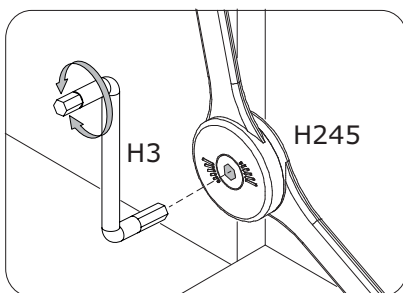
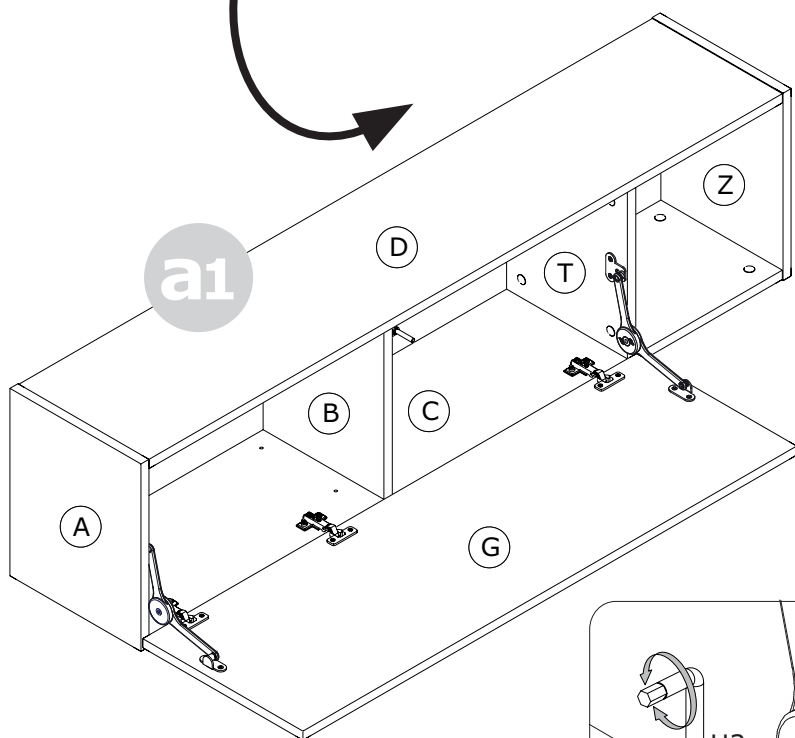
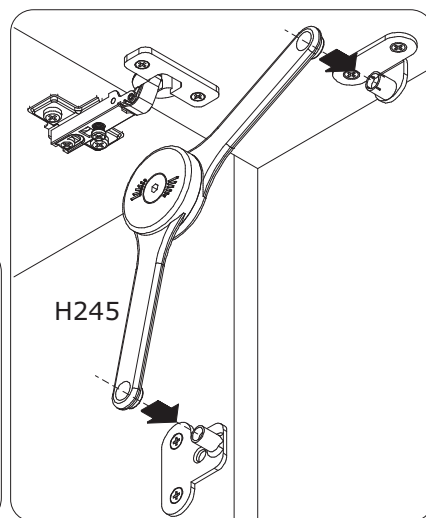
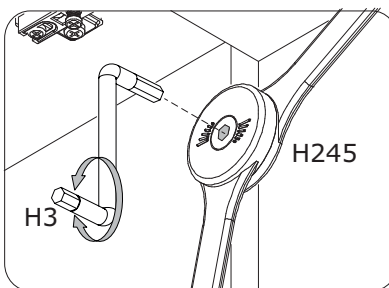
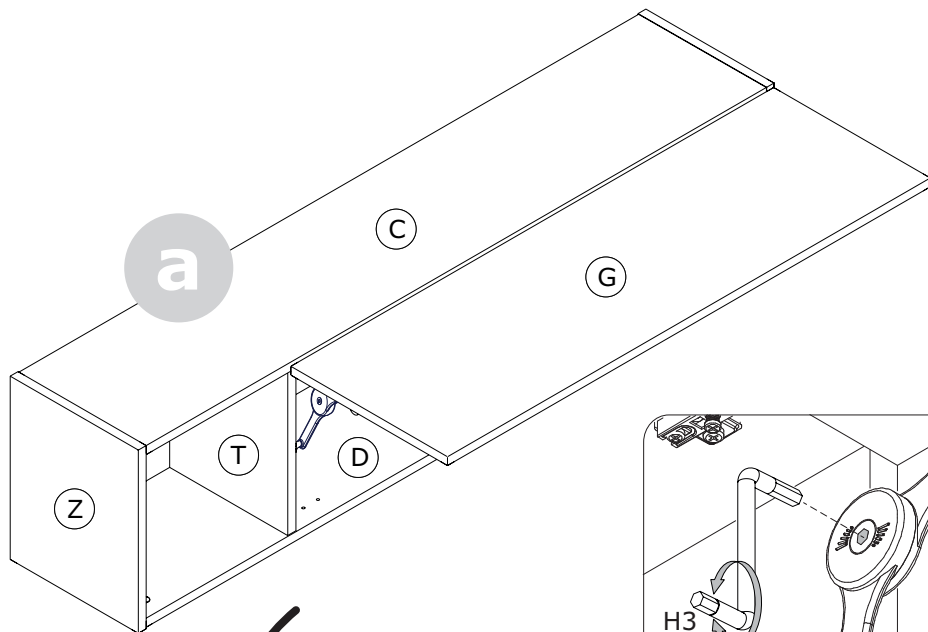
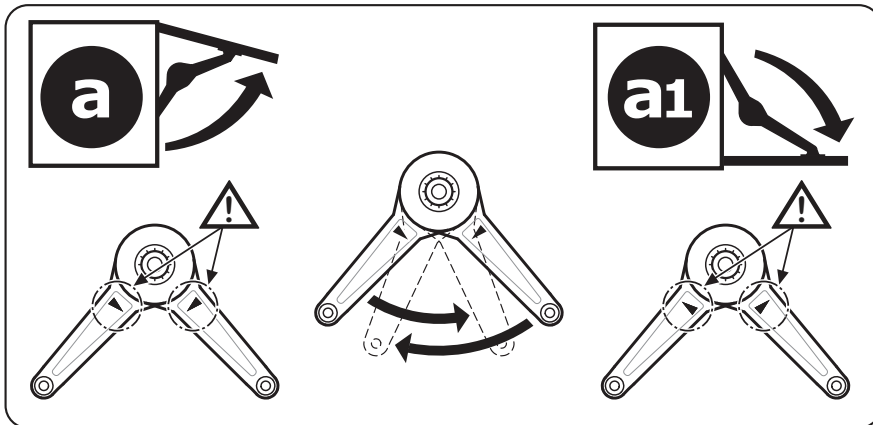
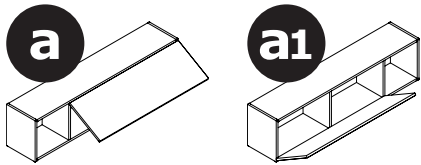
12



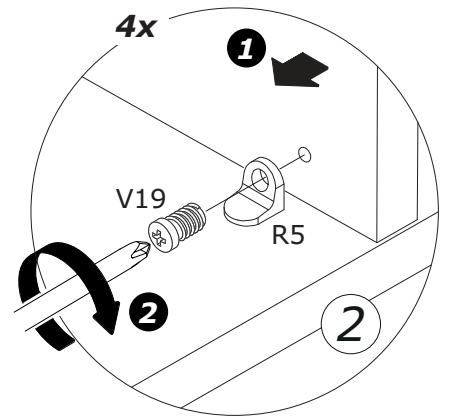
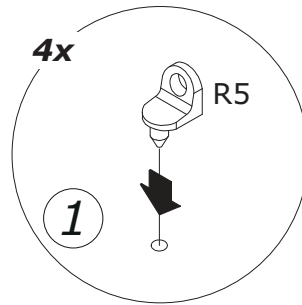
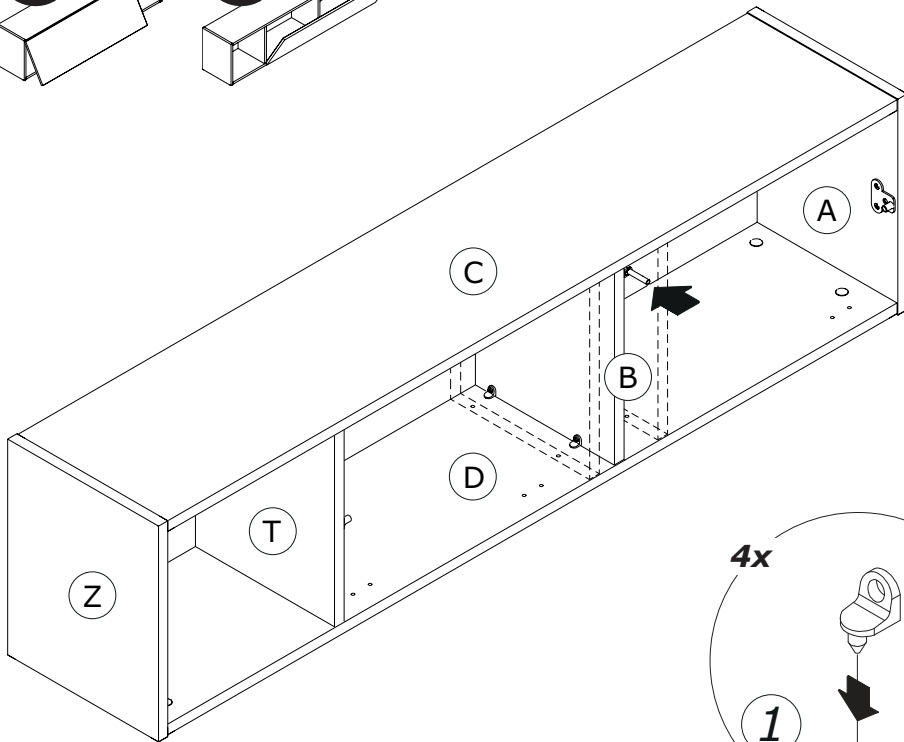
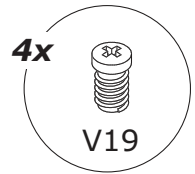
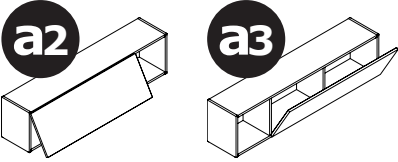
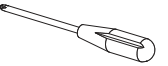
13



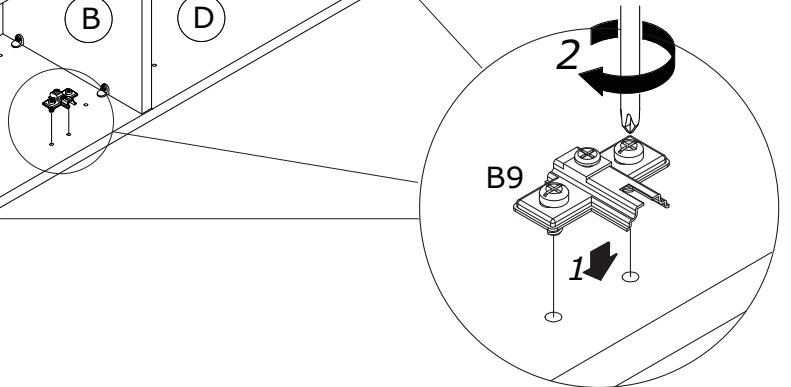
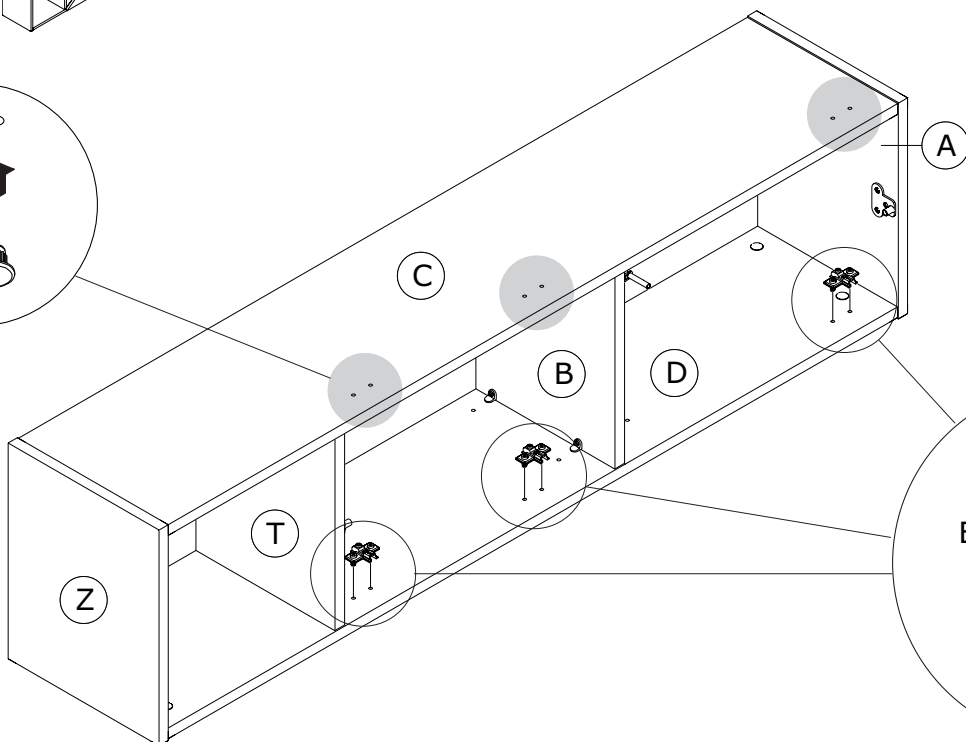
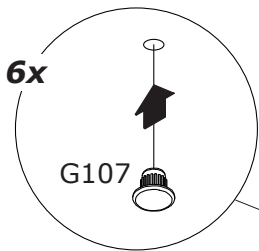
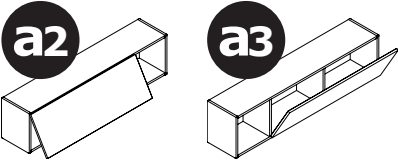
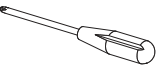
14



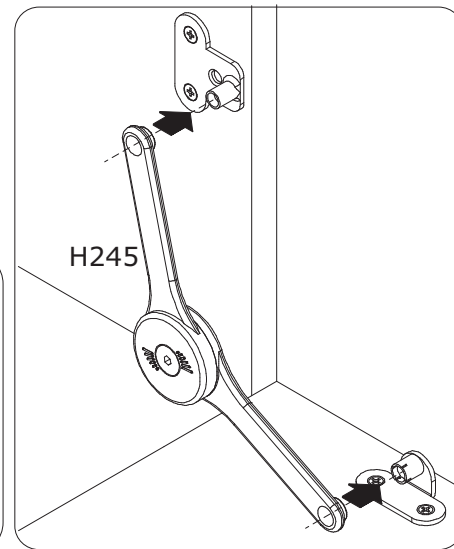
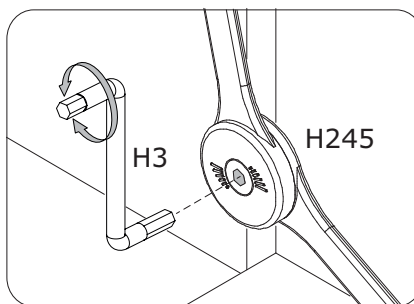
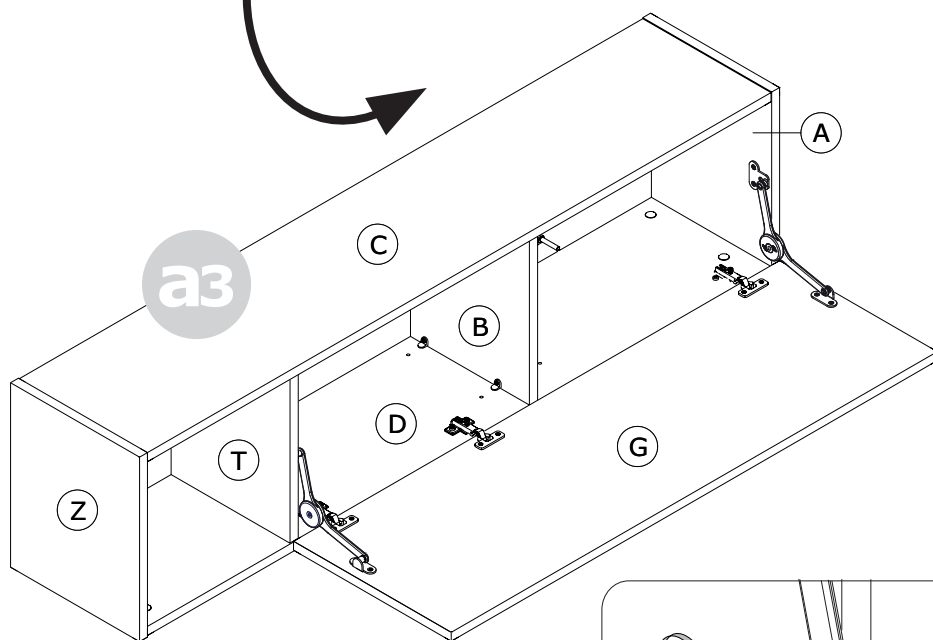
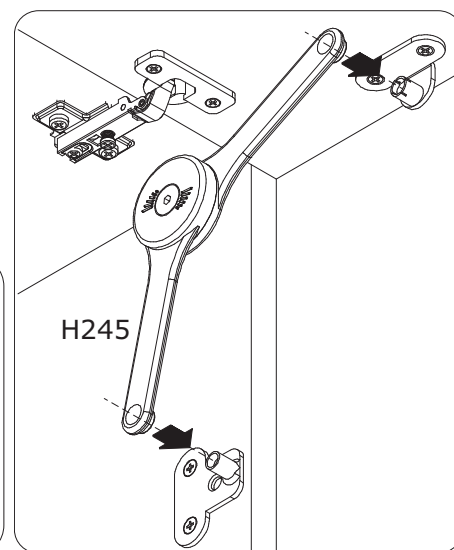
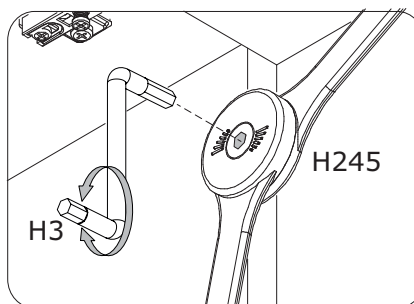
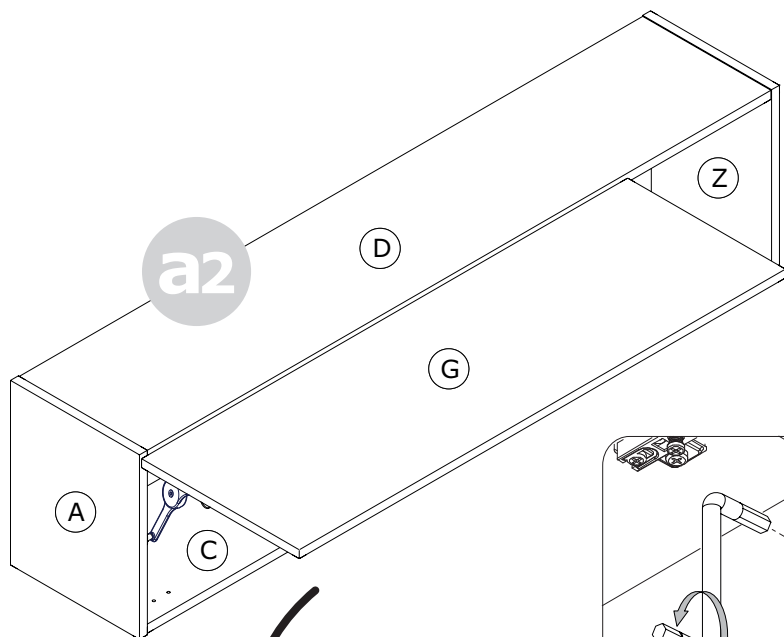
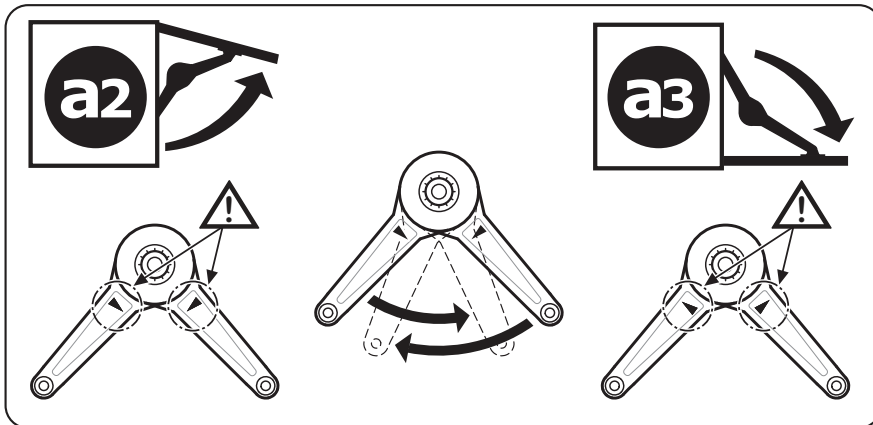
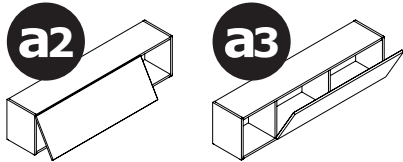
15



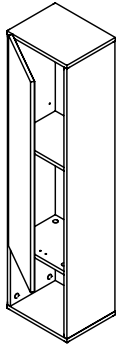
16



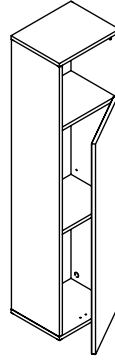
17



B

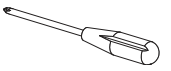


b1



b2

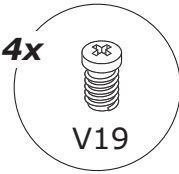
18



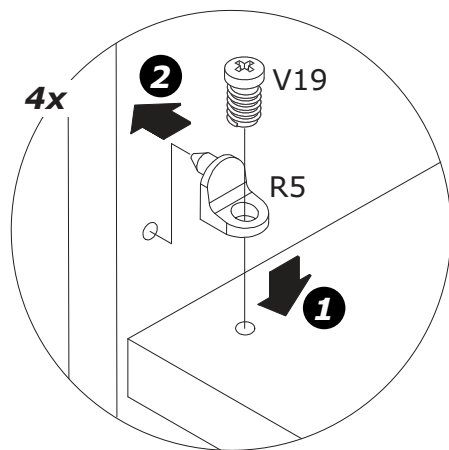
b



4x



V19



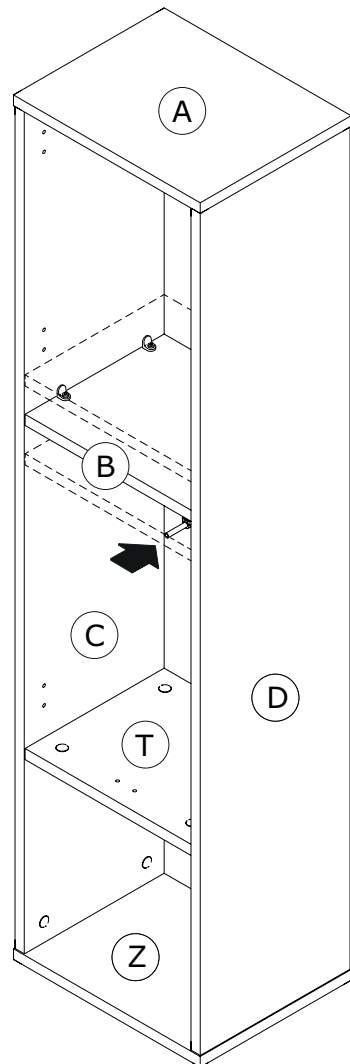
4x

2

V19

R5

1



A

B

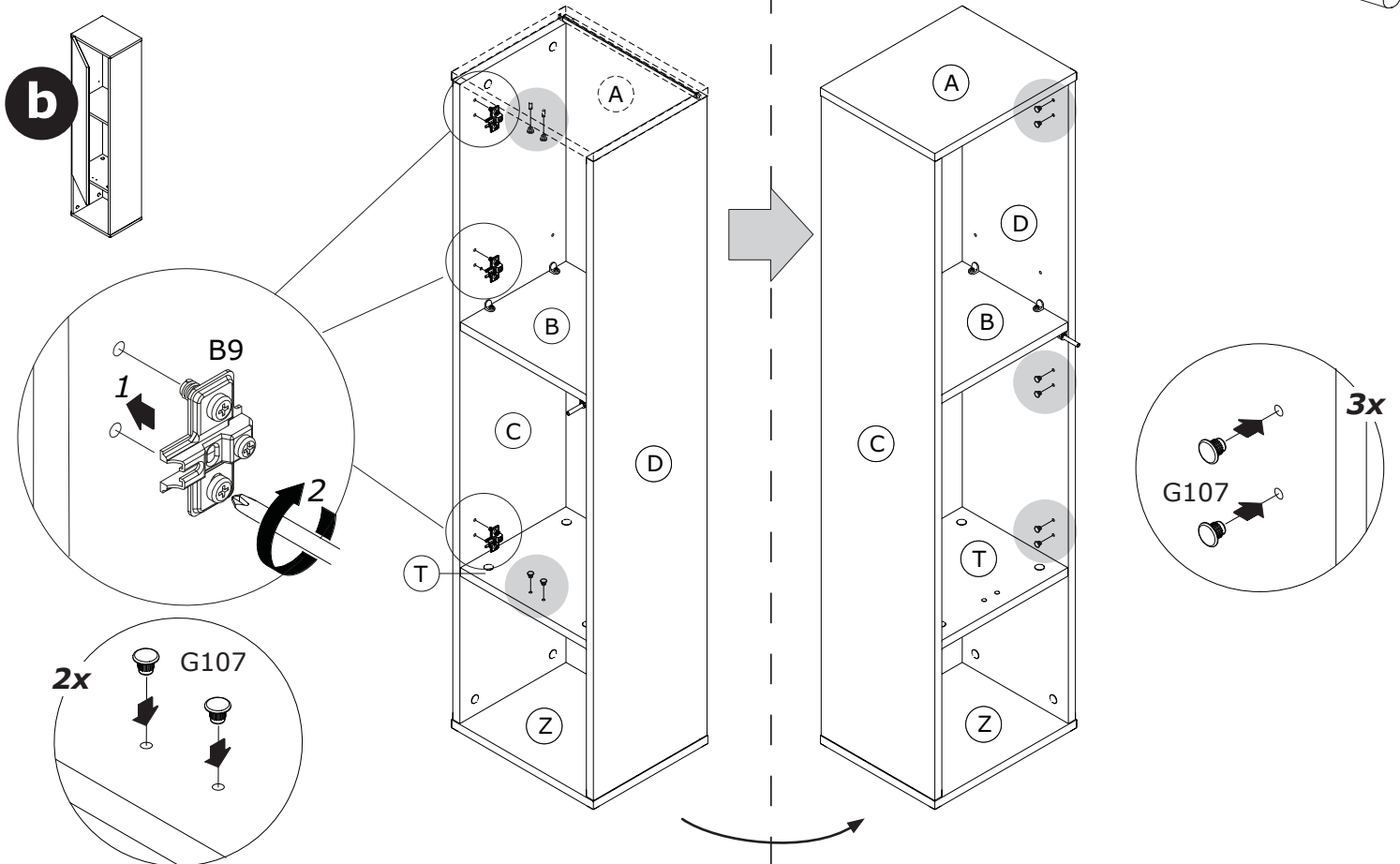
C

T

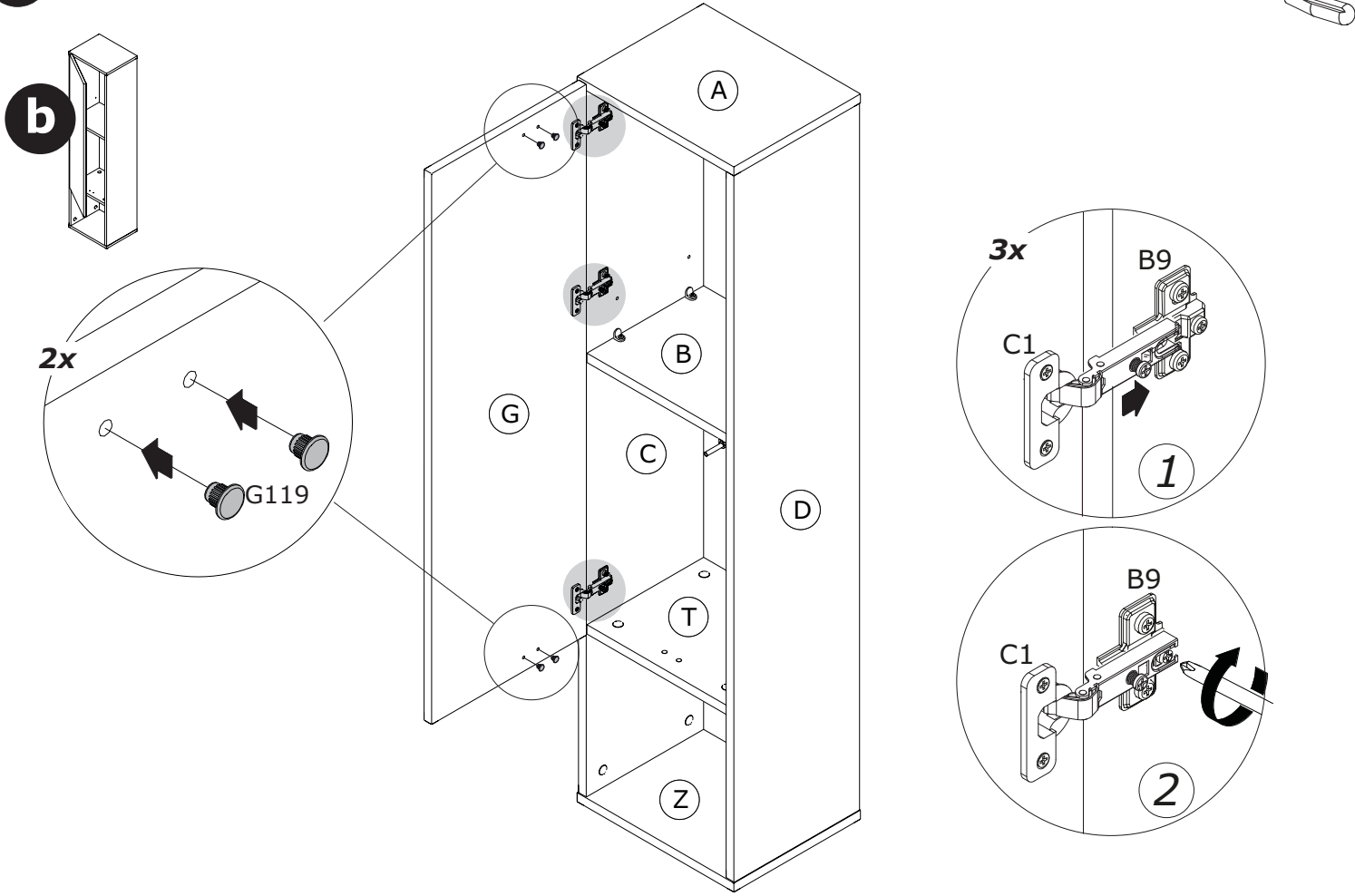
D

Z

19

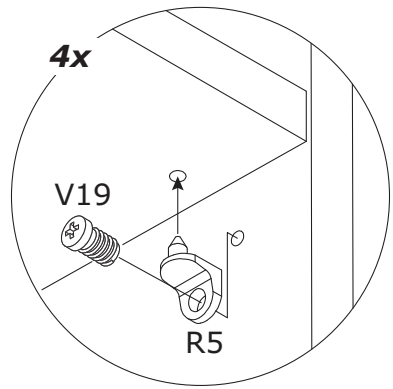
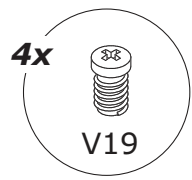
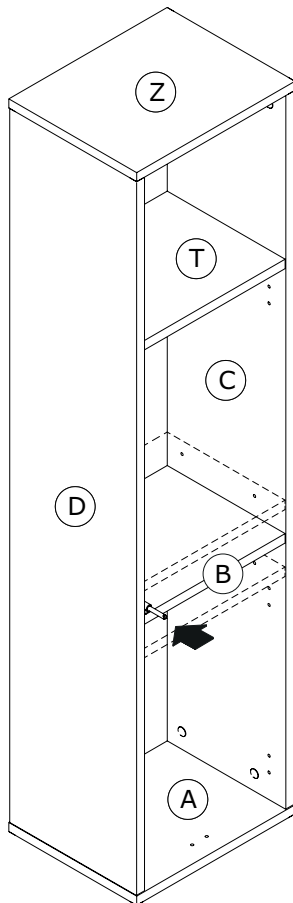


20

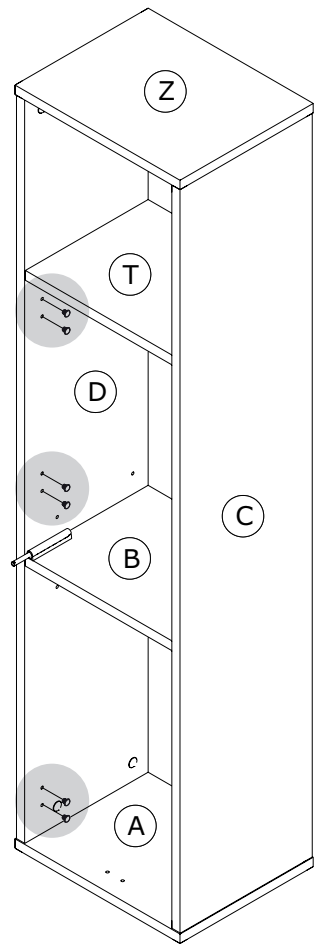
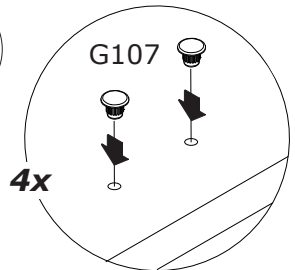
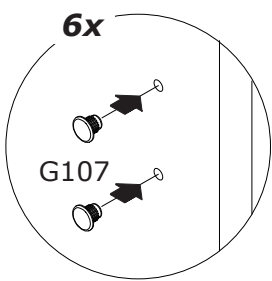
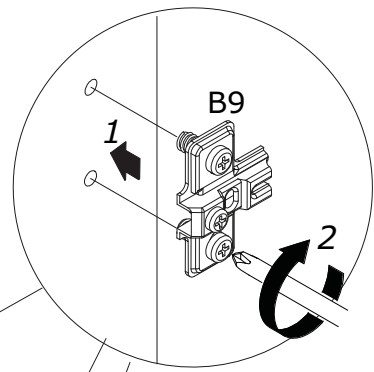
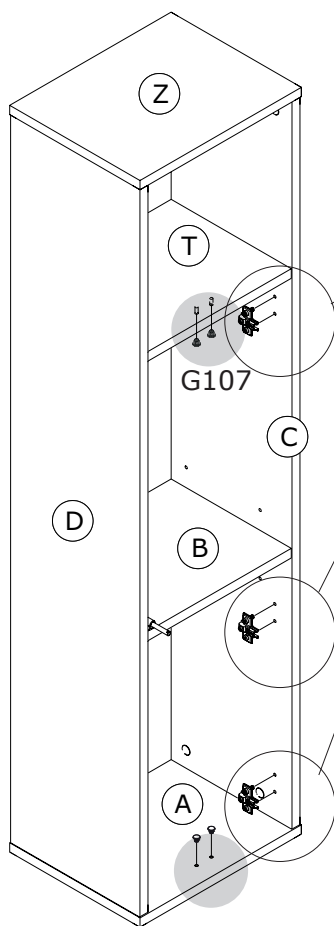


21

b1

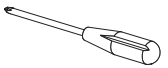
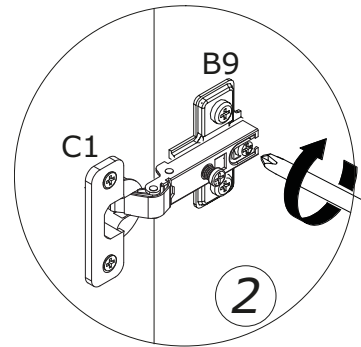
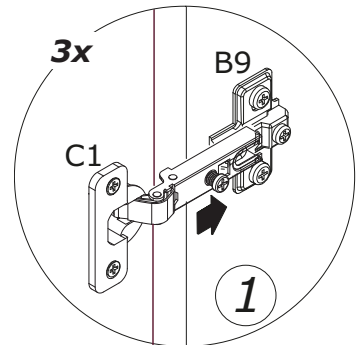
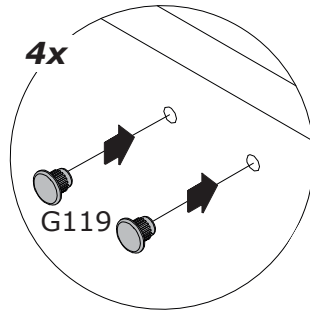
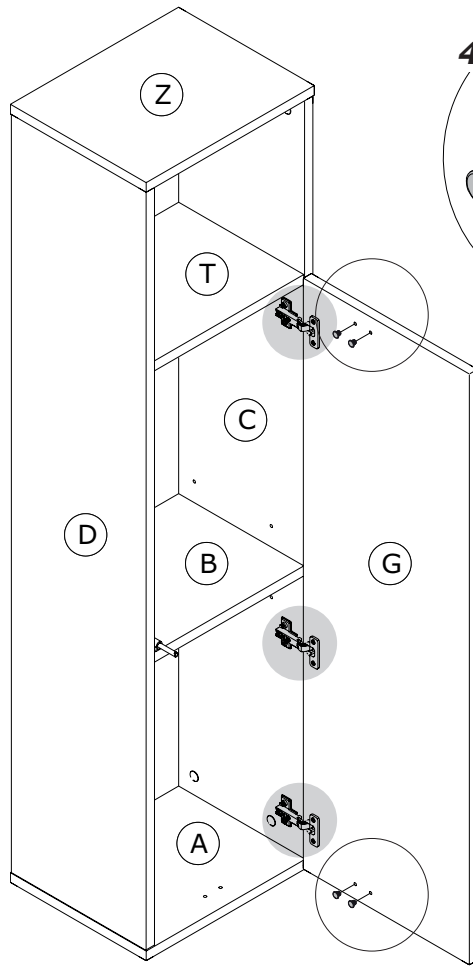


22

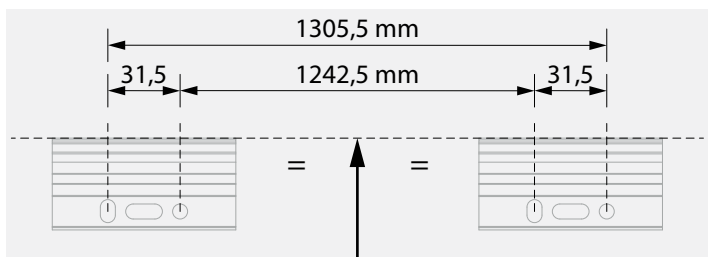
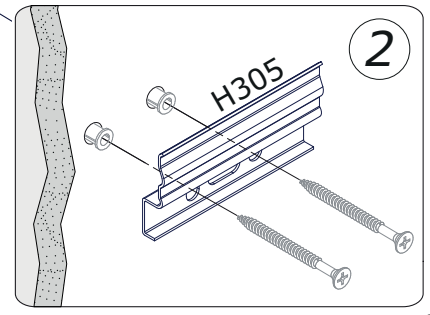
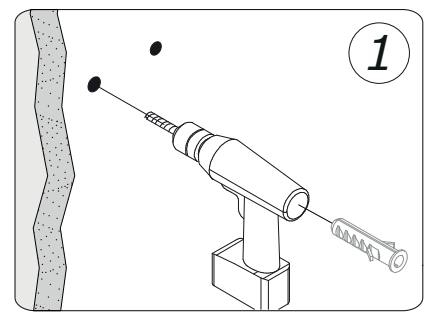
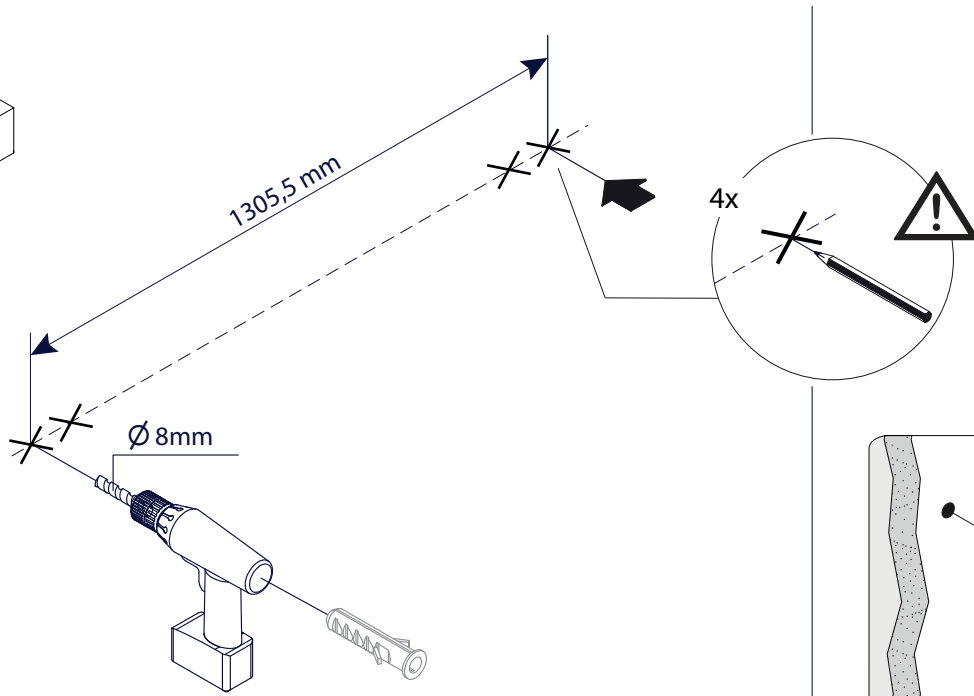
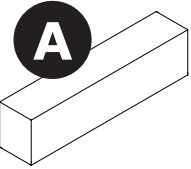


23

b1

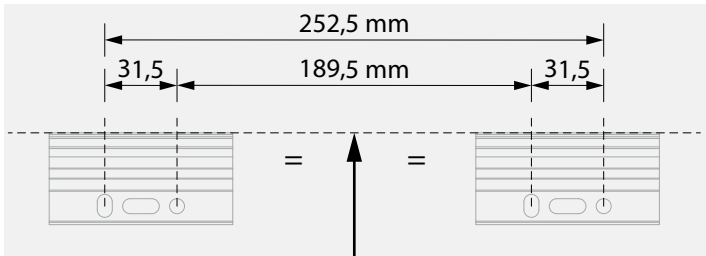
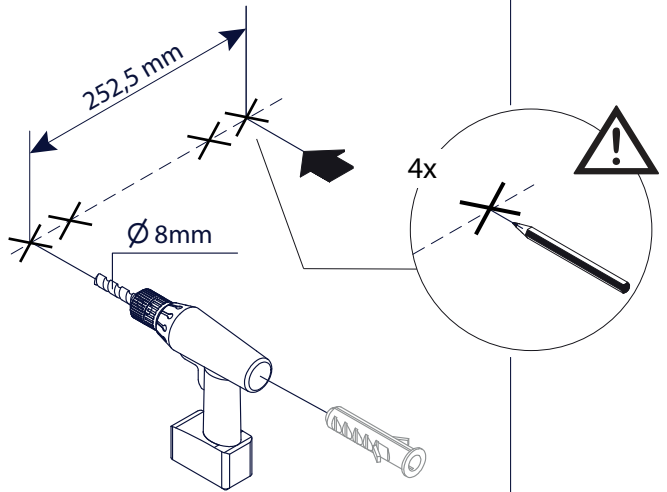
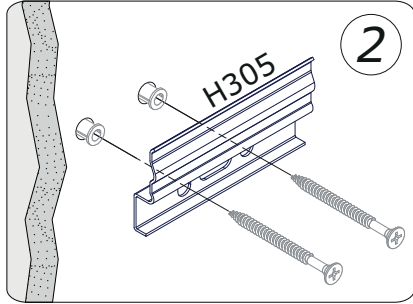
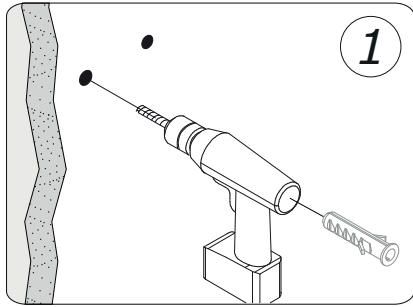


24



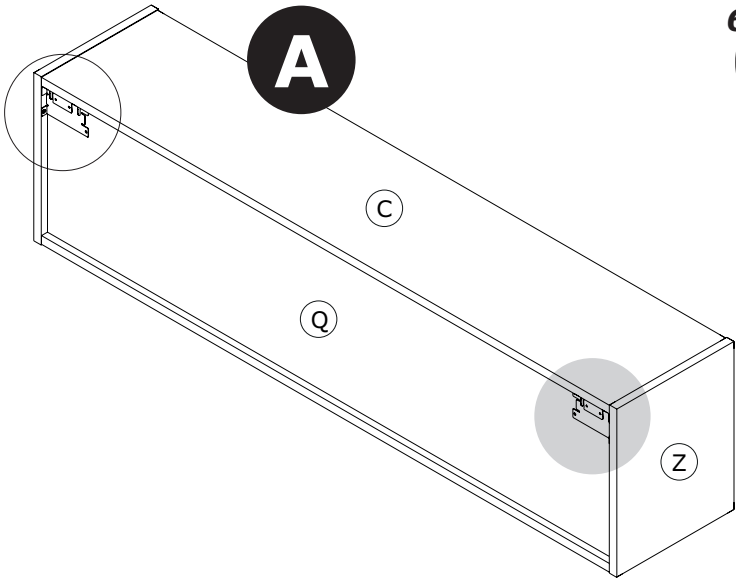
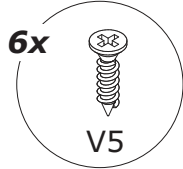
25

B



26

A



B

