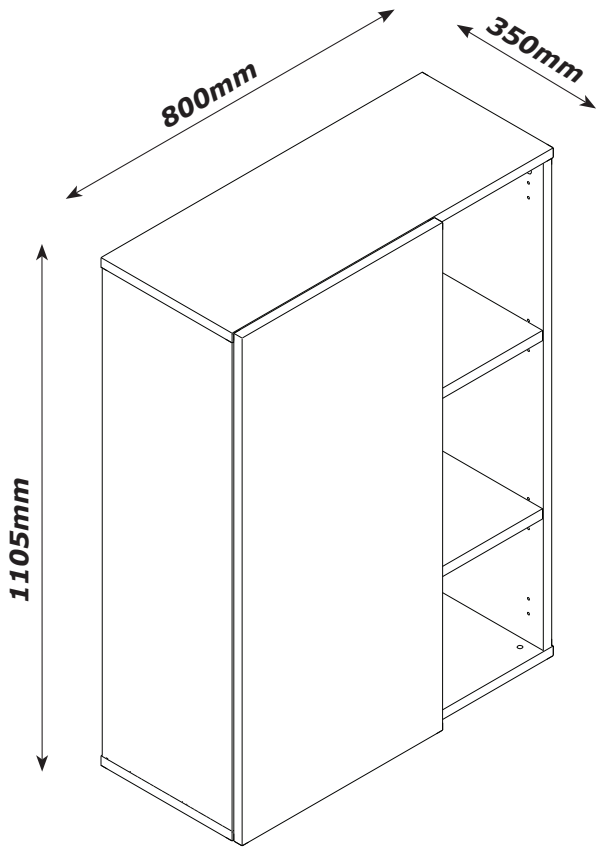
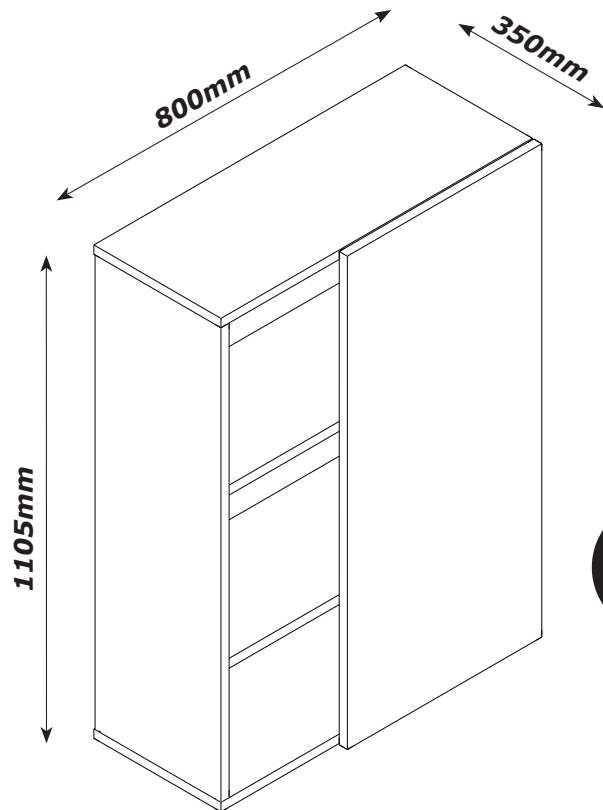


LB5160K30404

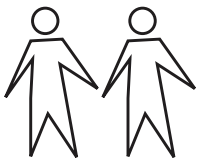


A

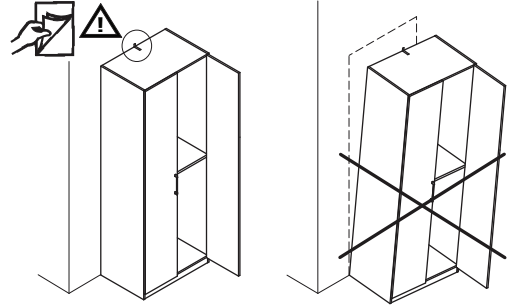
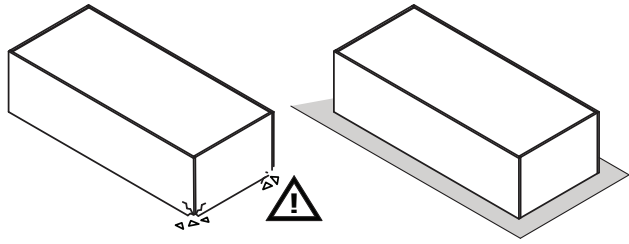
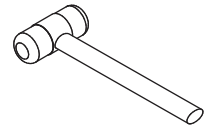
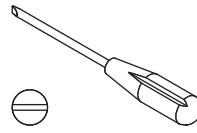
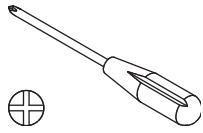


B

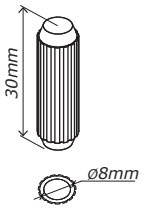
QF5242



1,5h



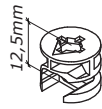
BU4330



H1
x8



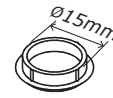
T28
x4



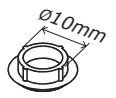
T7
x4



G31
x4



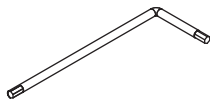
G116
x4



G120
x4



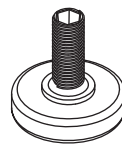
V5
x16



H138
x1



H113
x2



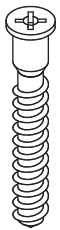
P25
x4



H118
x4



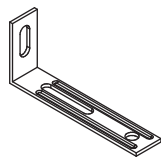
H2
x16



V45
x4



R40
x8



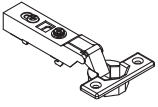
H185
x1



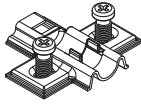
V81
x2



H129
x2



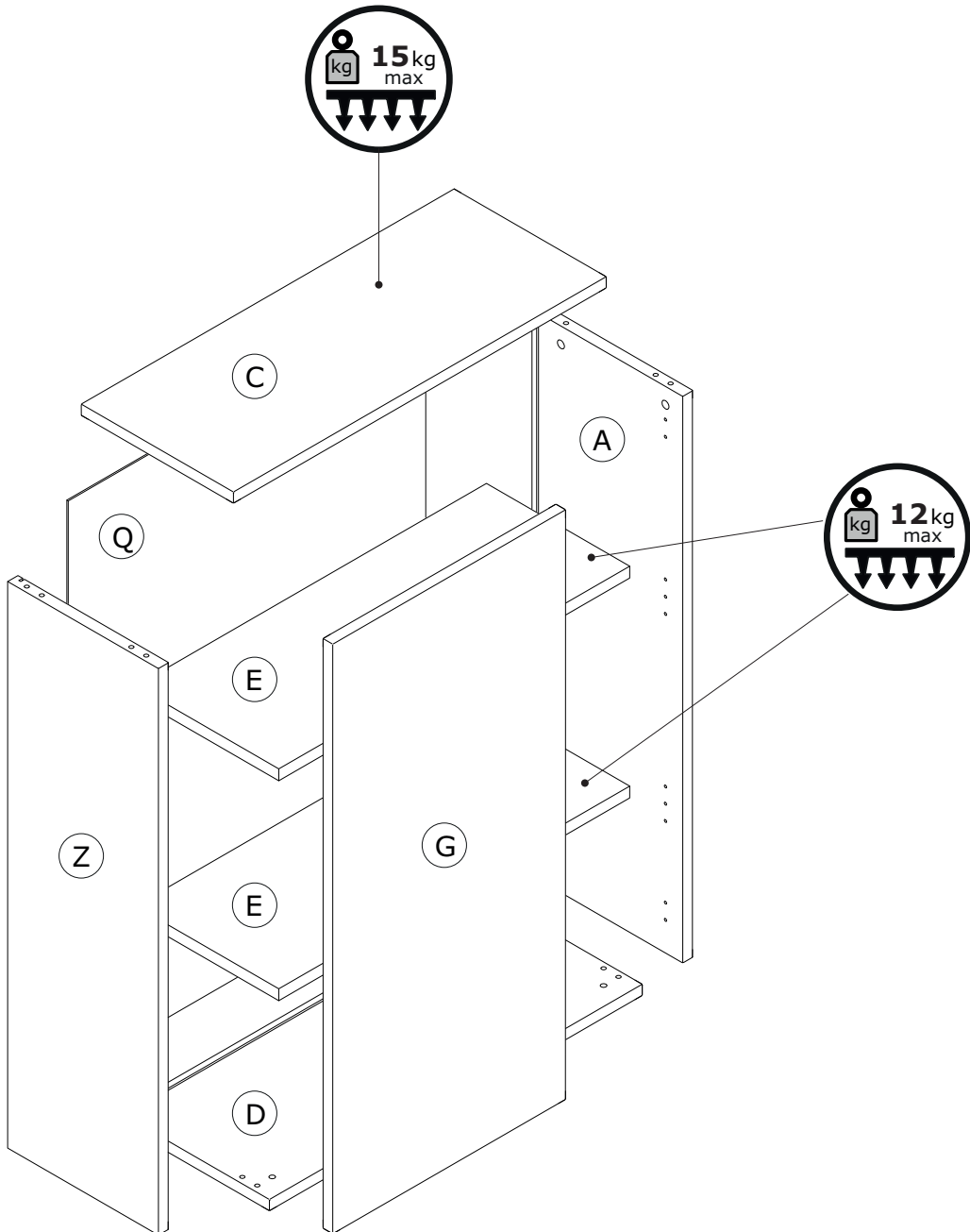
C76
x2

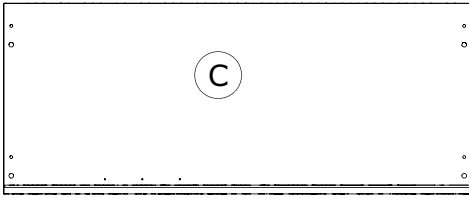


B28
x2

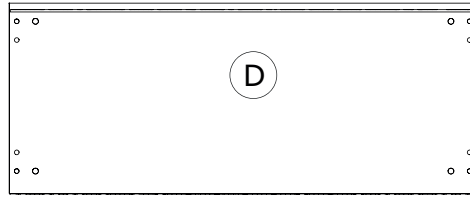


V5
x4

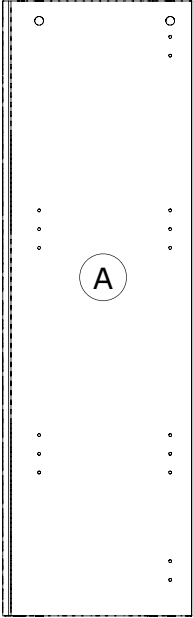




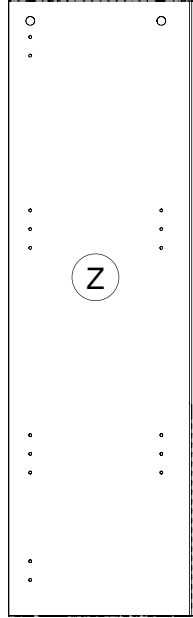
CA3587
797x325x22mm



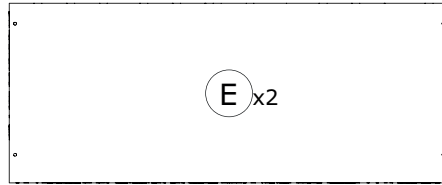
BA2178
797x325x22mm



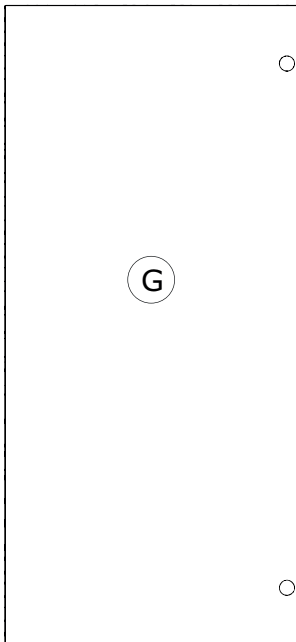
FI8689
1051x323x22mm



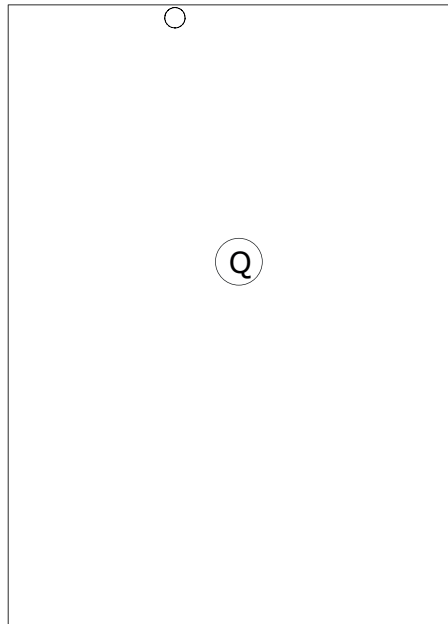
FI8691
1051x323x22mm



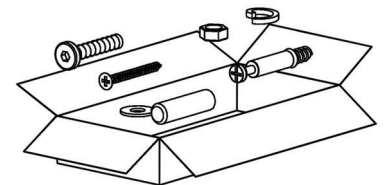
PI7143
752x307x22mm



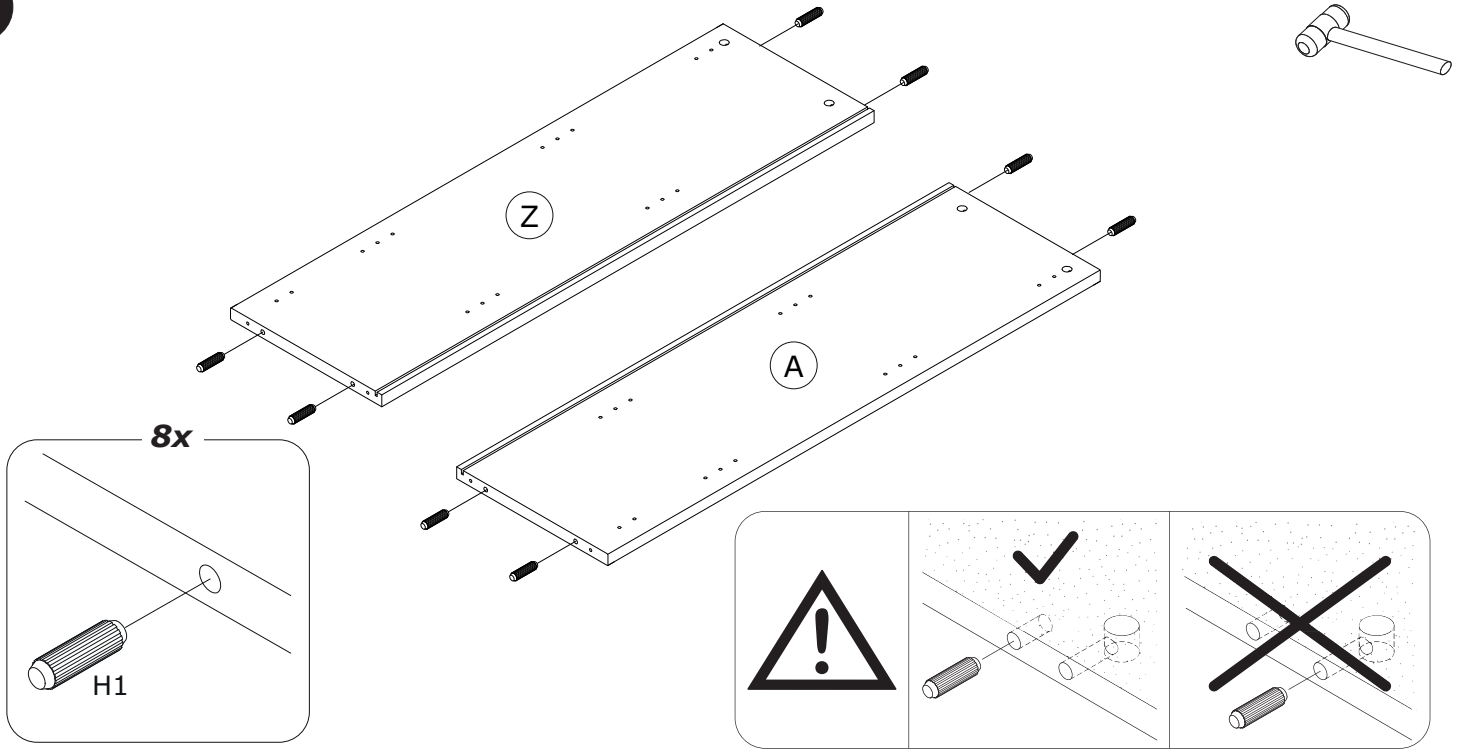
AN2913
1095x500x22mm



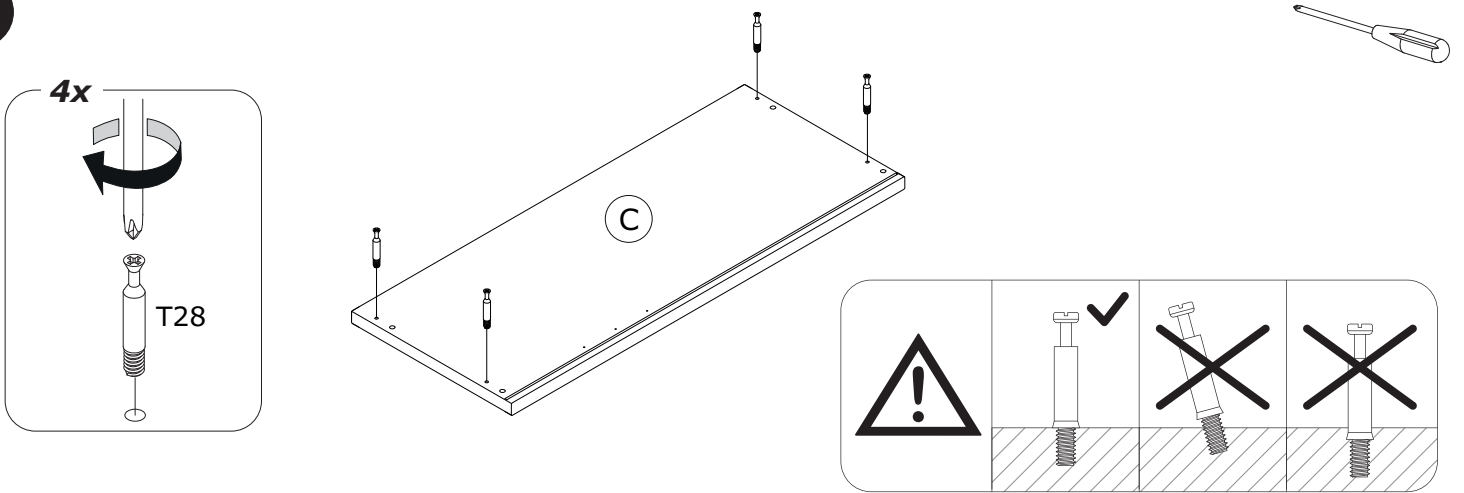
SS0746
1065x766x2mm



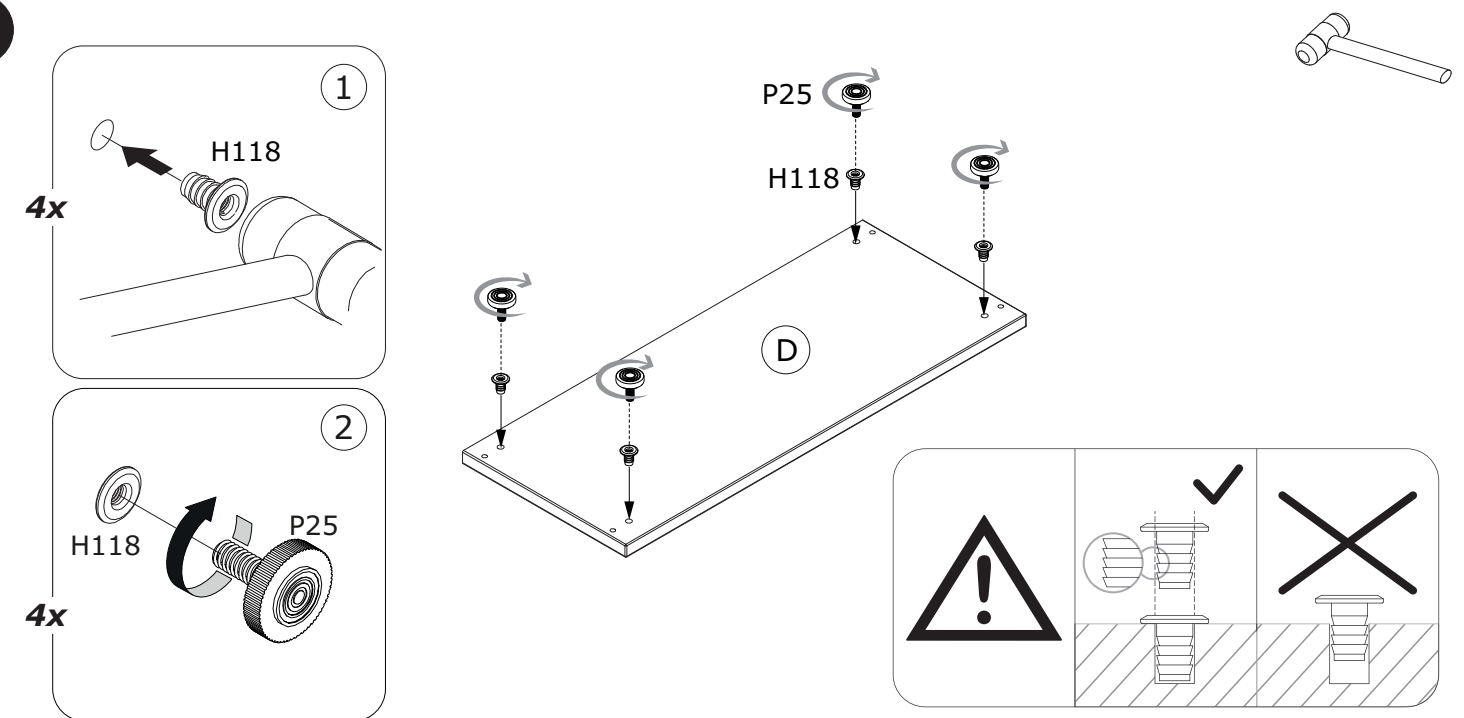
1



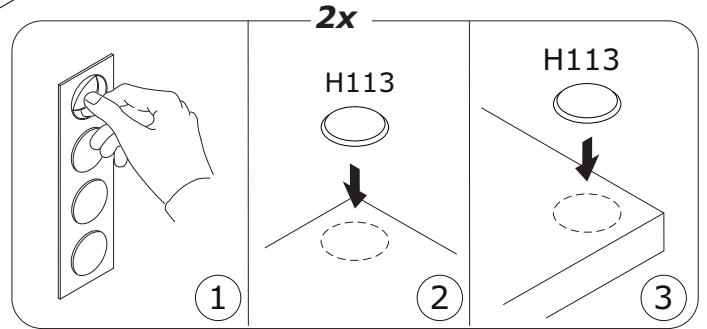
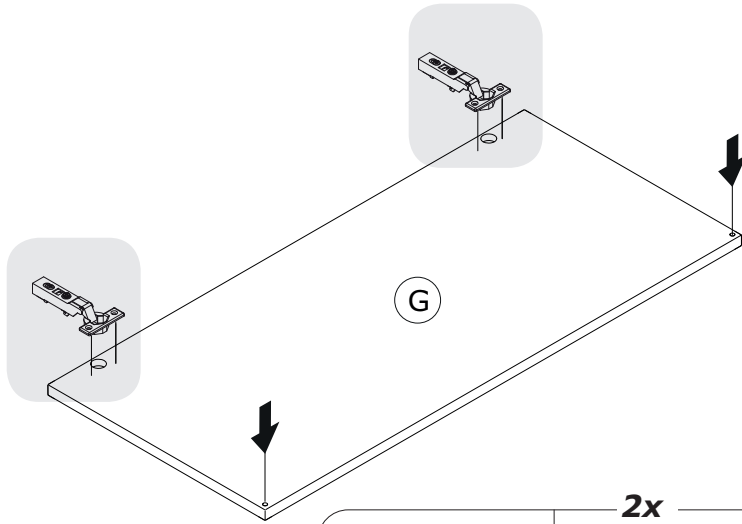
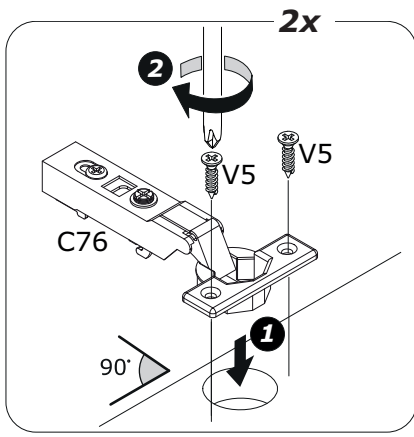
2



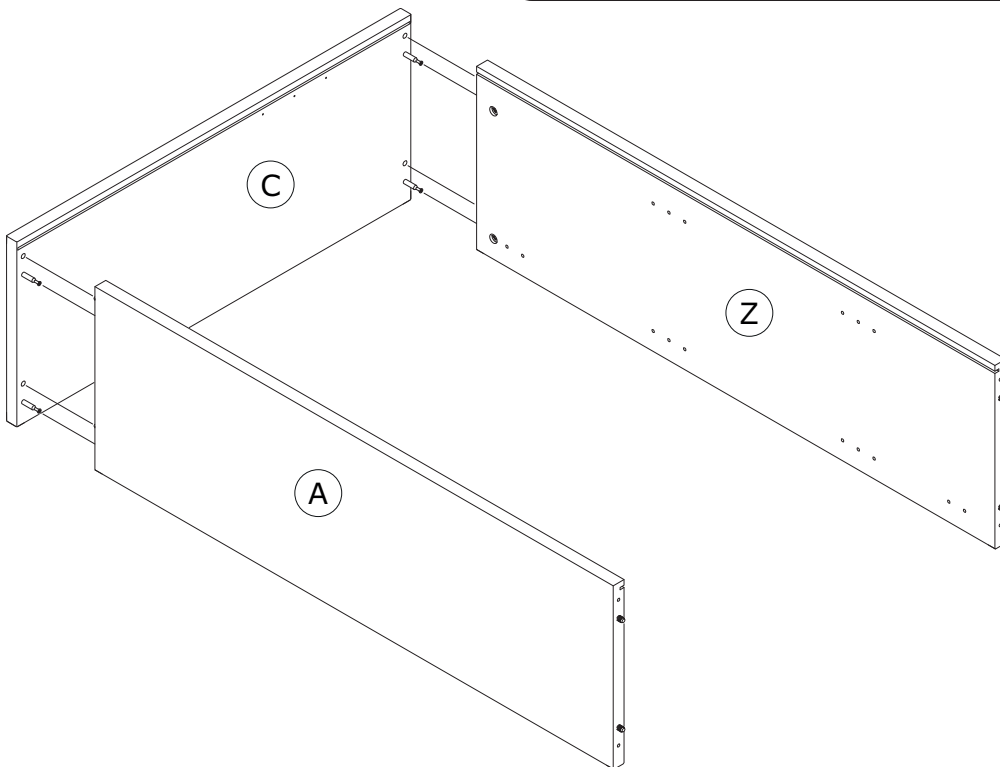
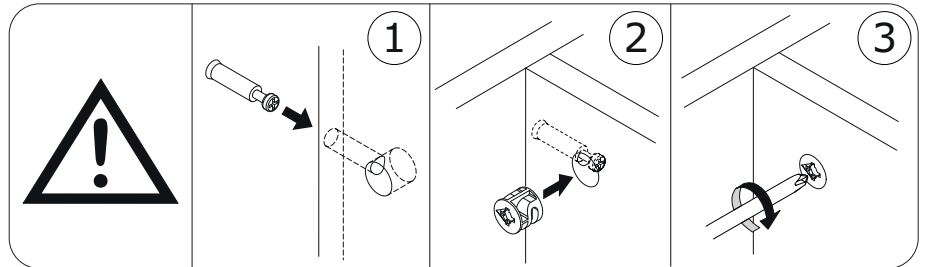
3



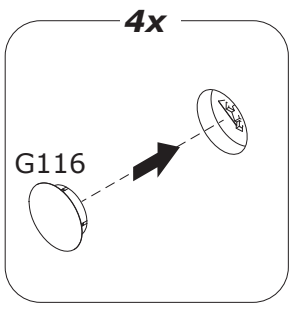
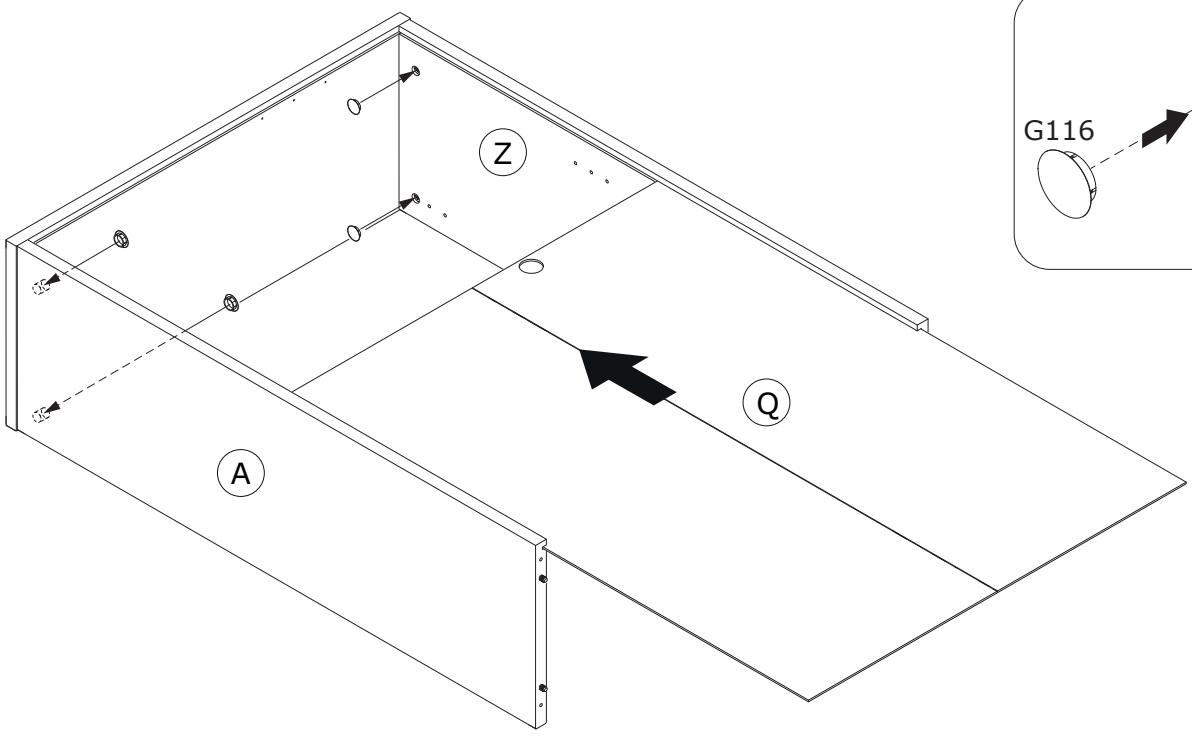
4



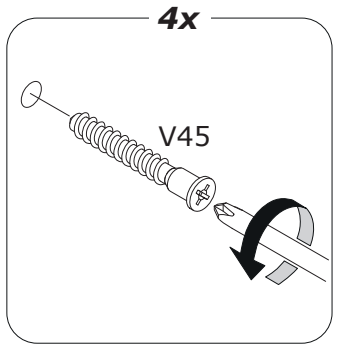
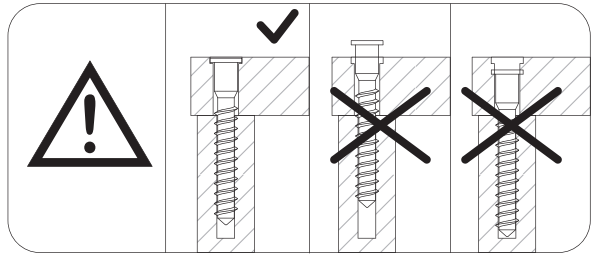
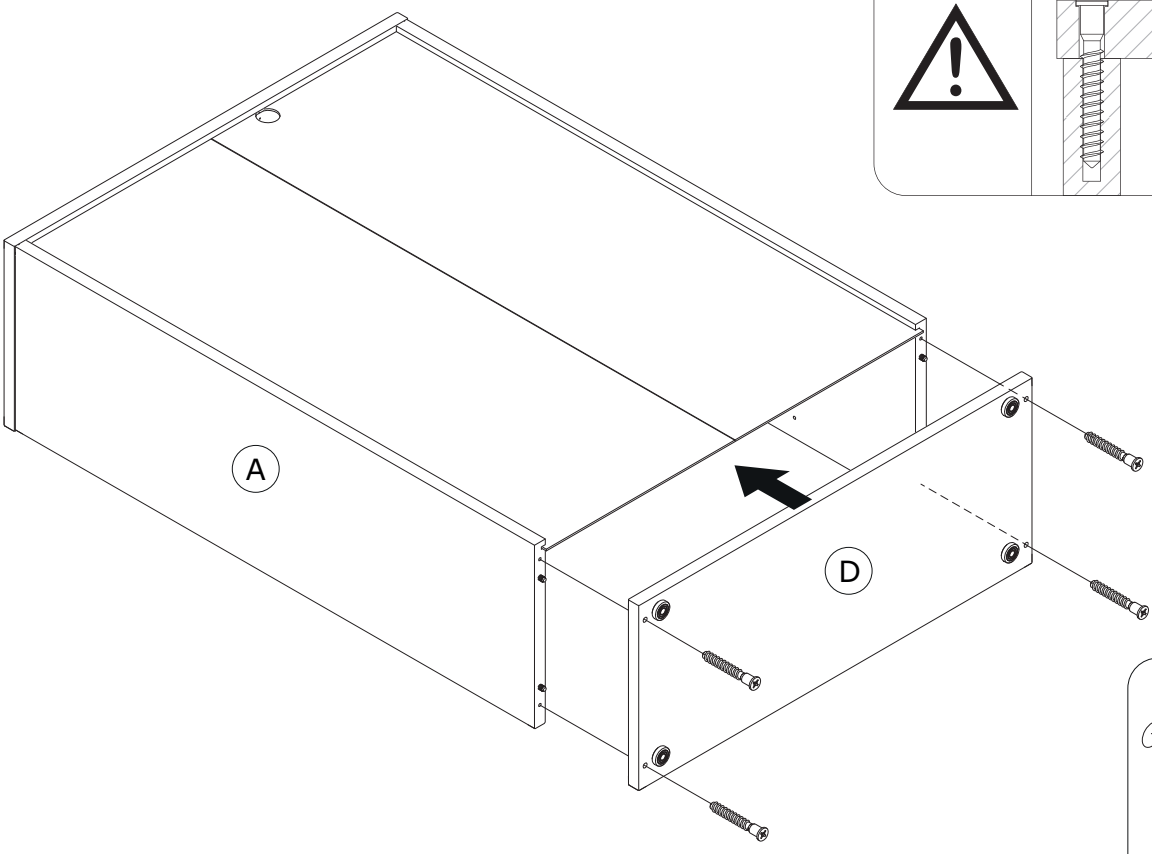
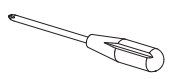
5



6

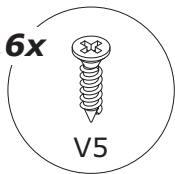


7

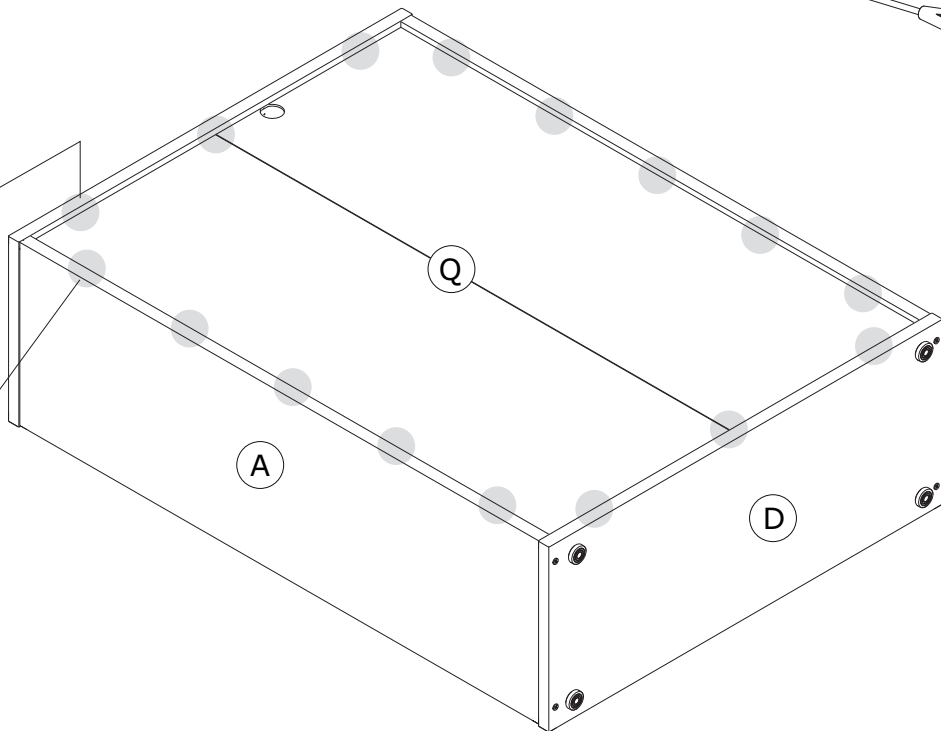
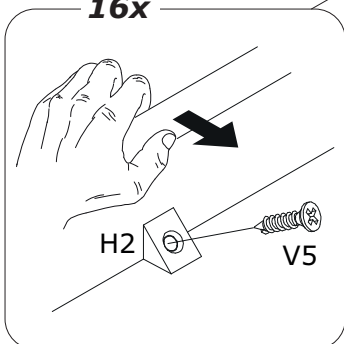


8

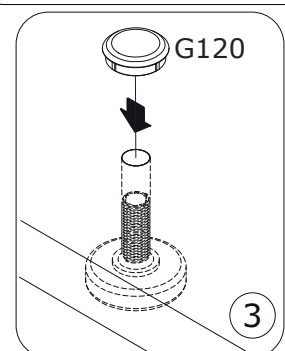
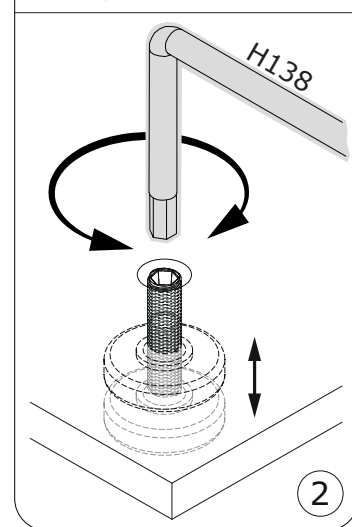
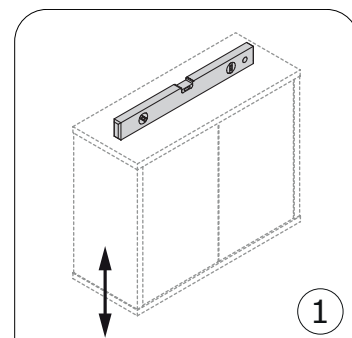
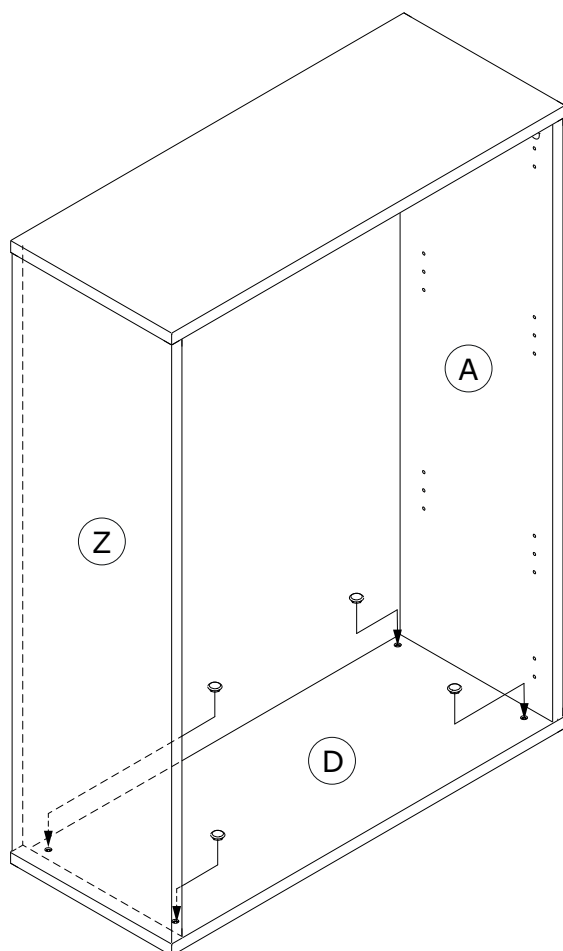
16x

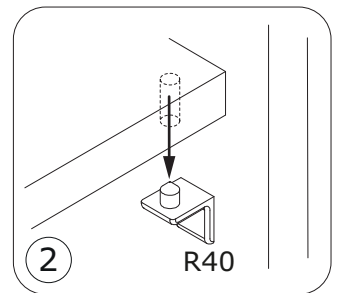
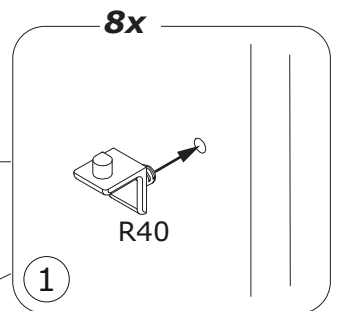
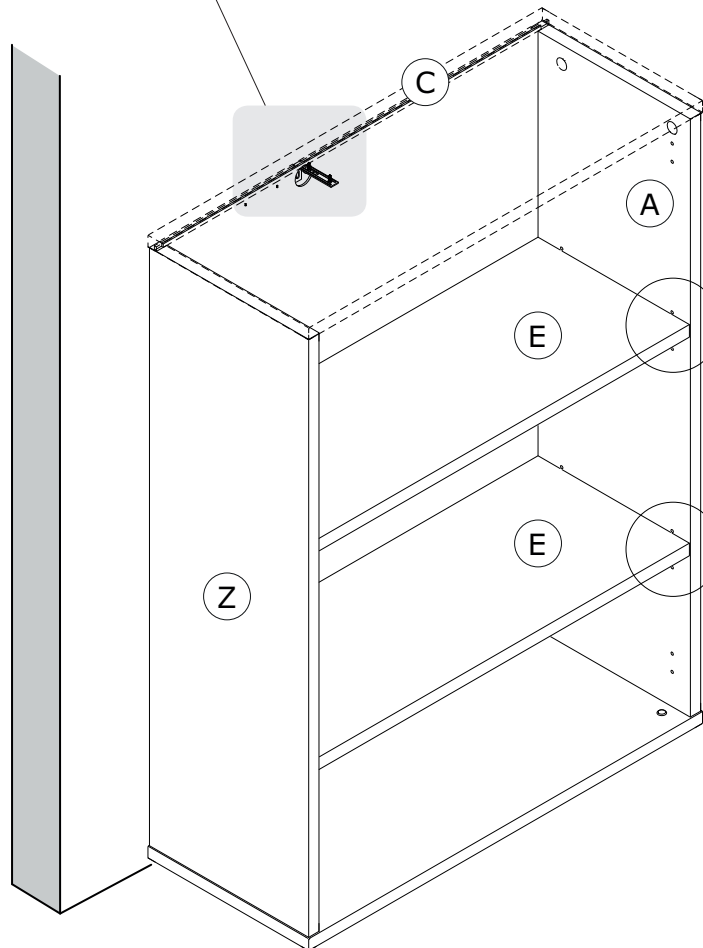
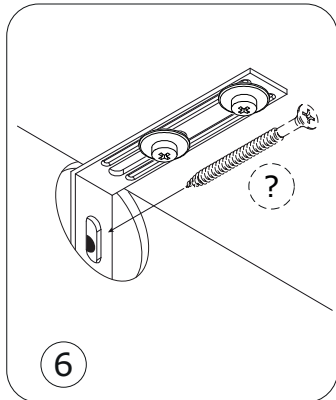
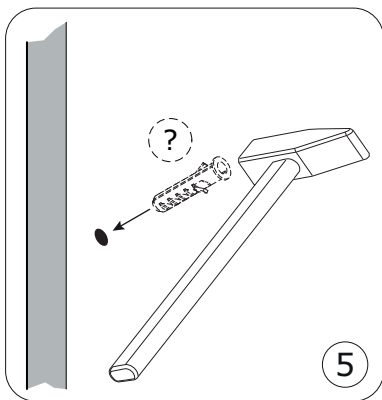
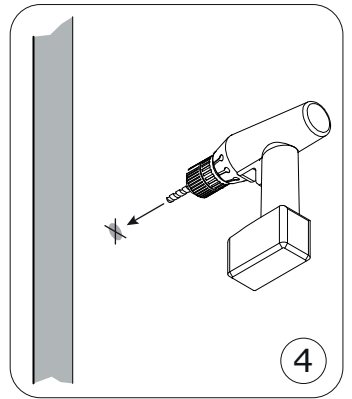
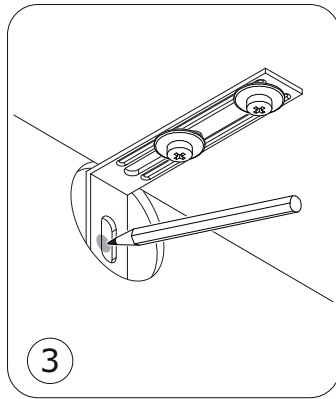
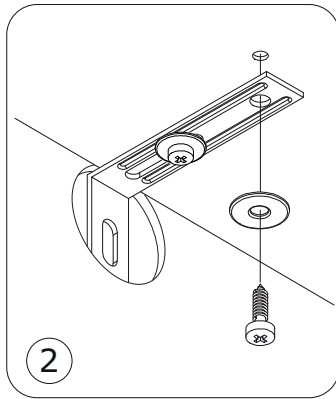
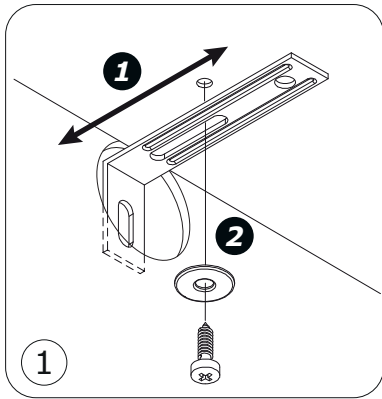
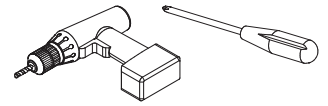


16x

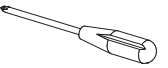


9

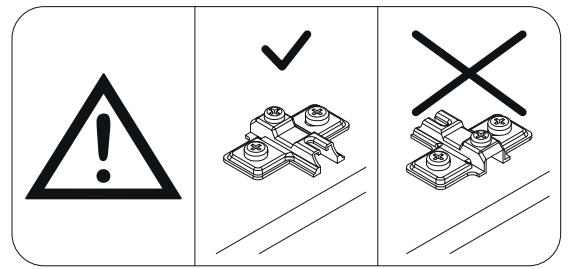
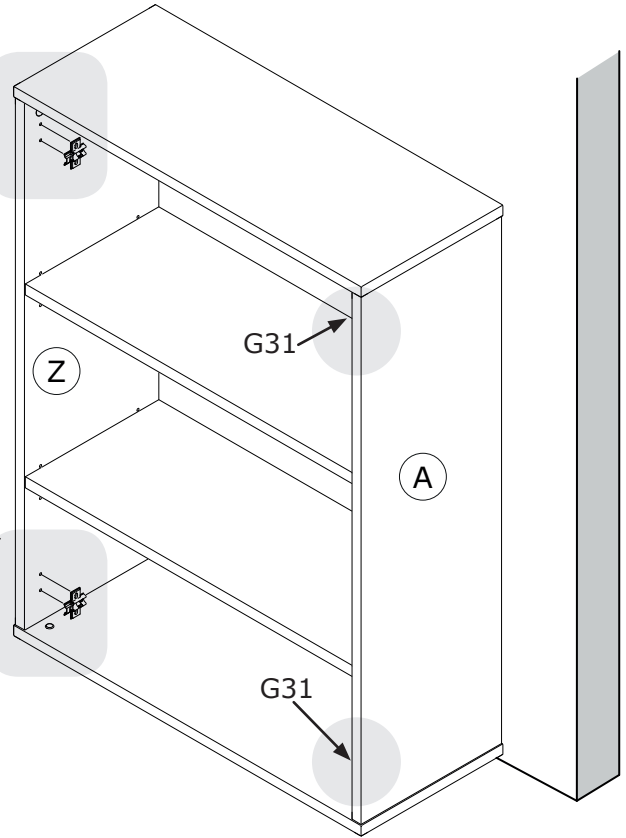
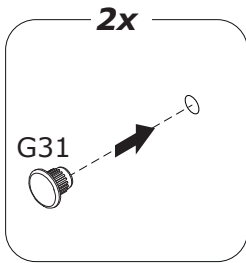
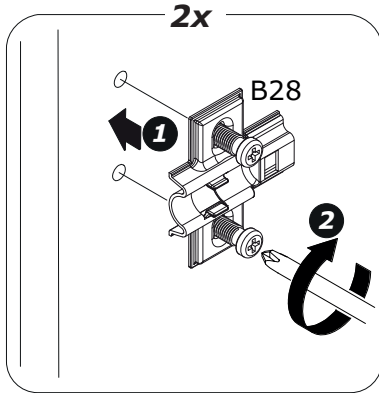
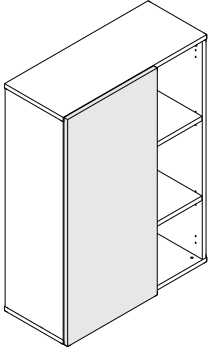




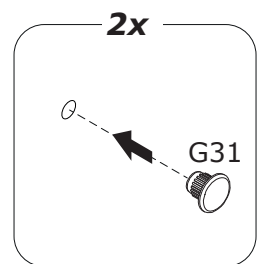
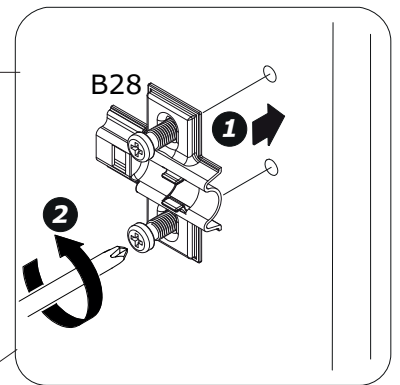
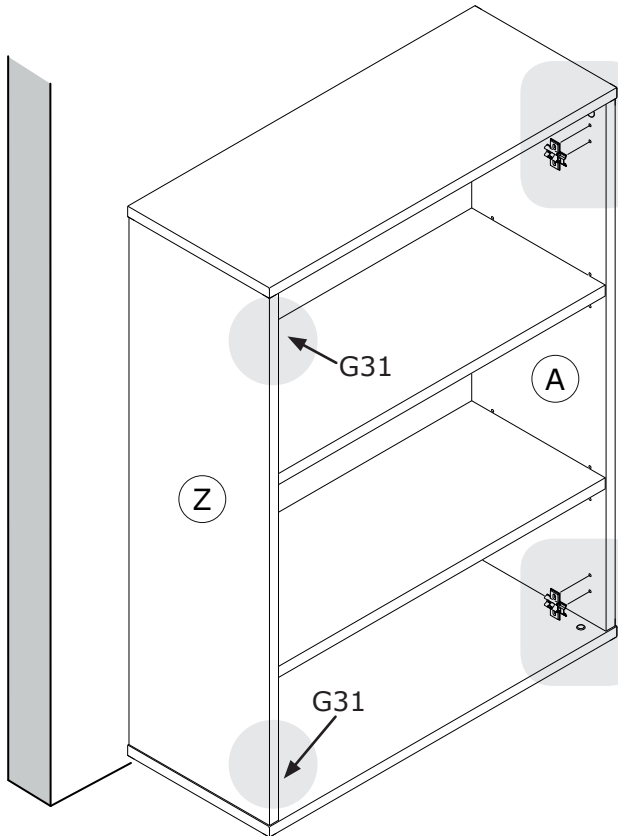
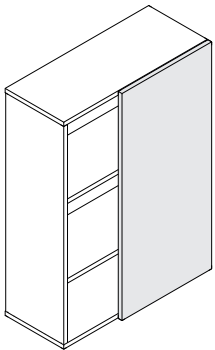
11

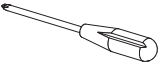


A

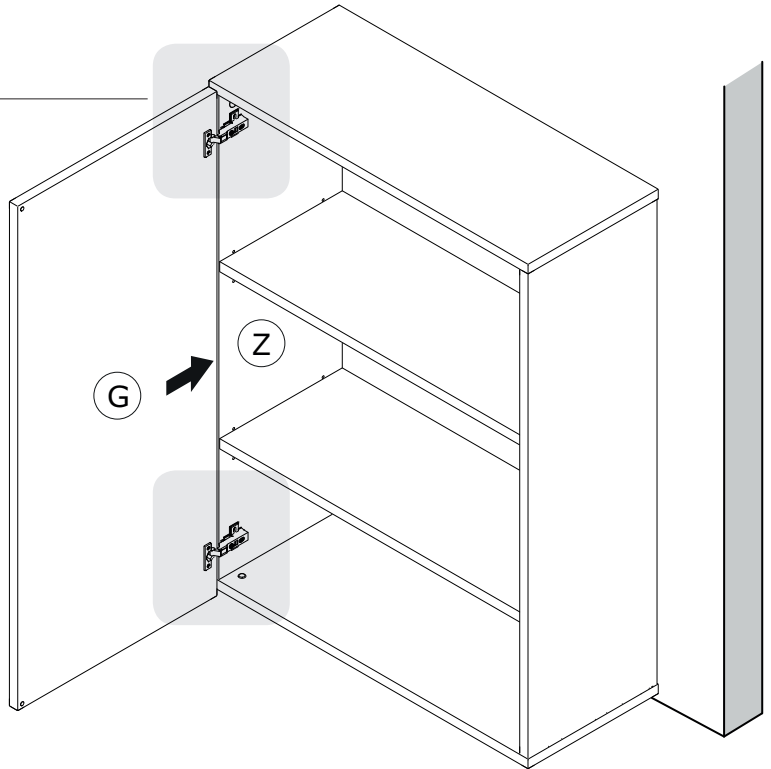
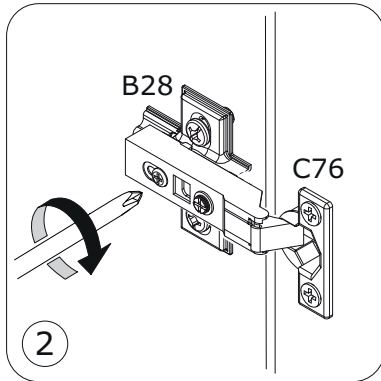
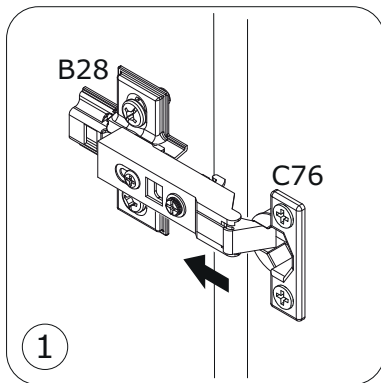
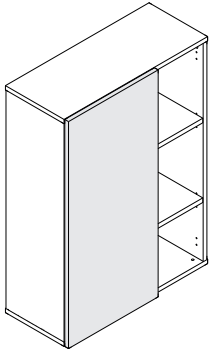


B

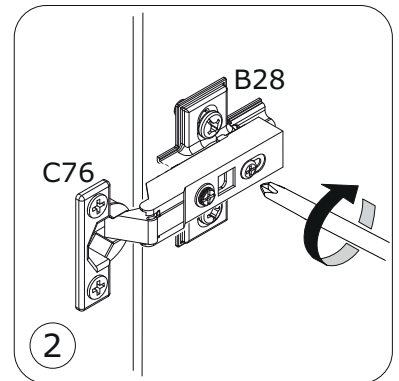
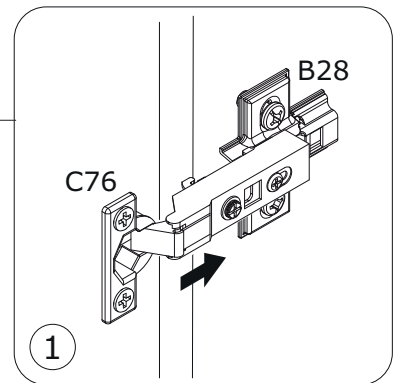
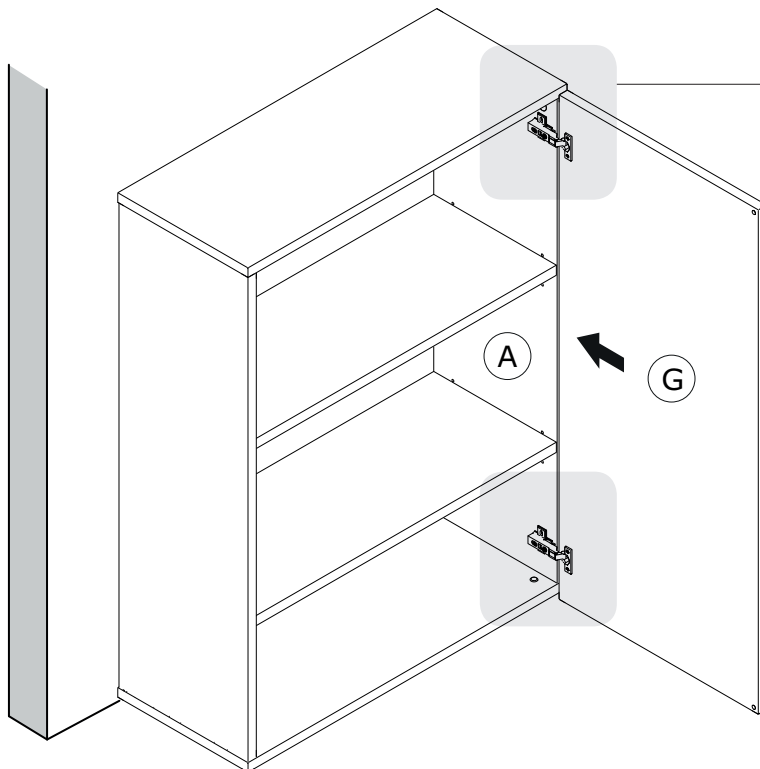
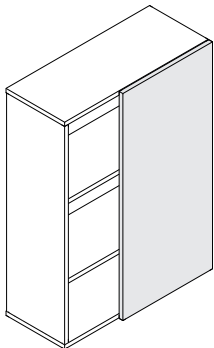


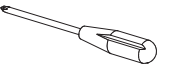


A

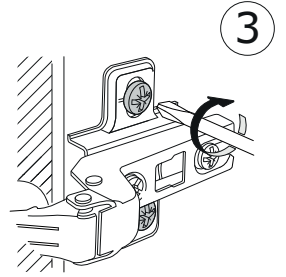
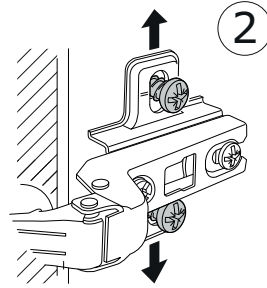
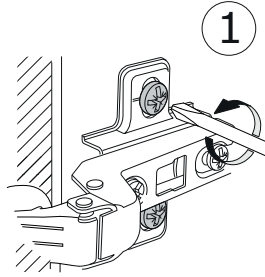
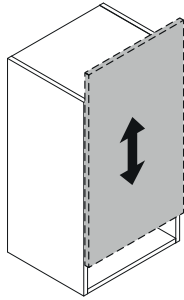
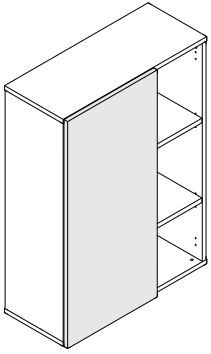


B





A



B

