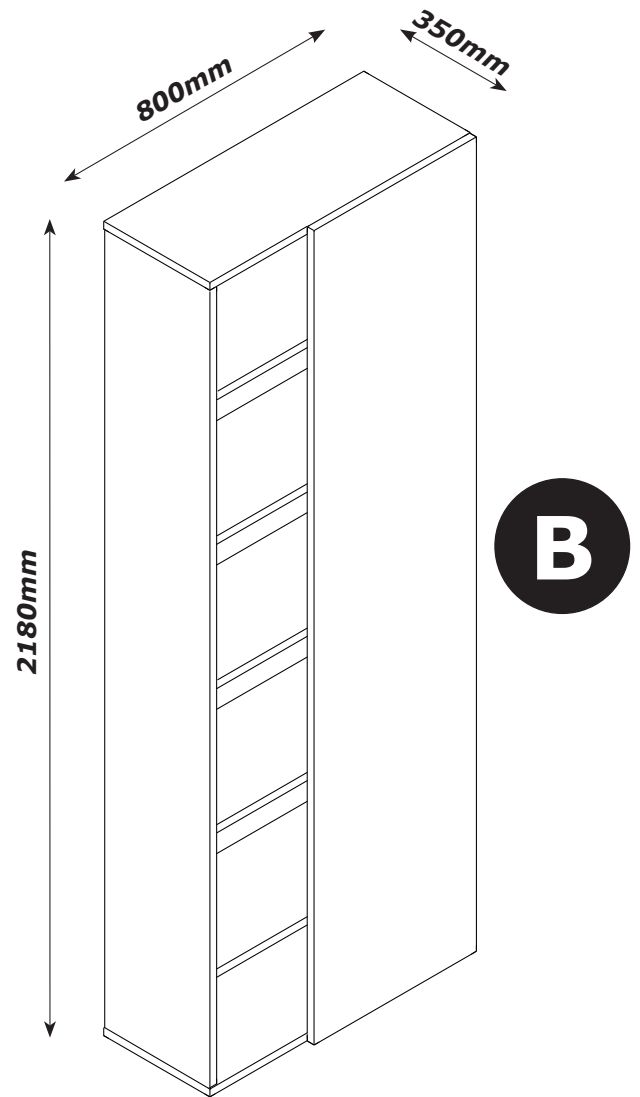
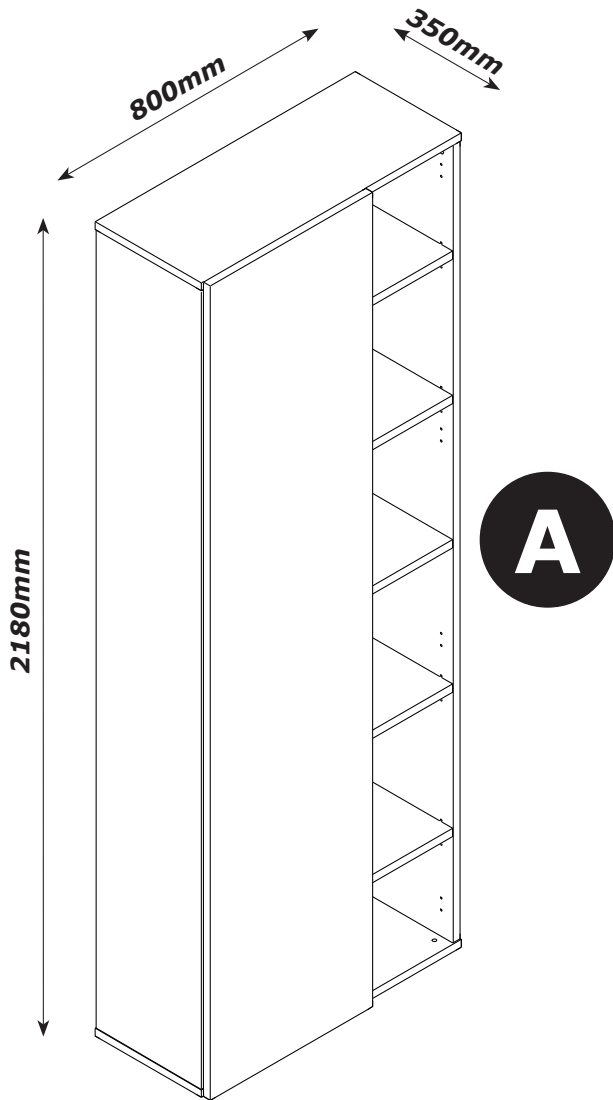
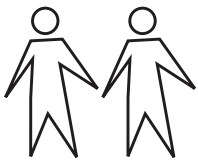


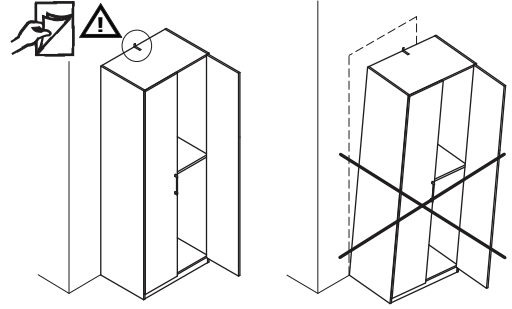
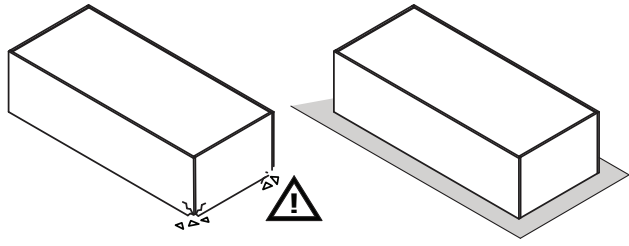
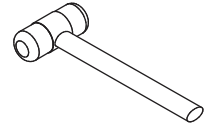
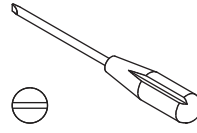
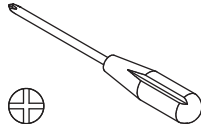
LB5161K62904



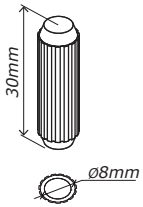
QF4753-1



2h



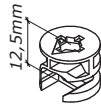
BU3922



H1
x12



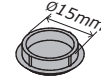
T28
x8



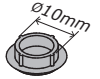
T7
x8



G107
x8



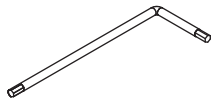
G139
x4



G166
x4



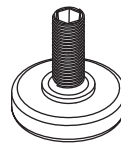
V5
x18



H138
x1



H113
x2



P25
x4



H118
x4



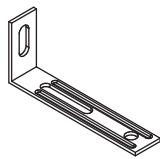
H2
x18



V45
x4



R40
x16



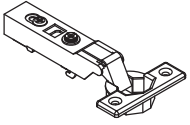
H185
x1



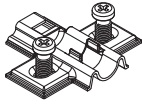
V81
x2



H129
x2



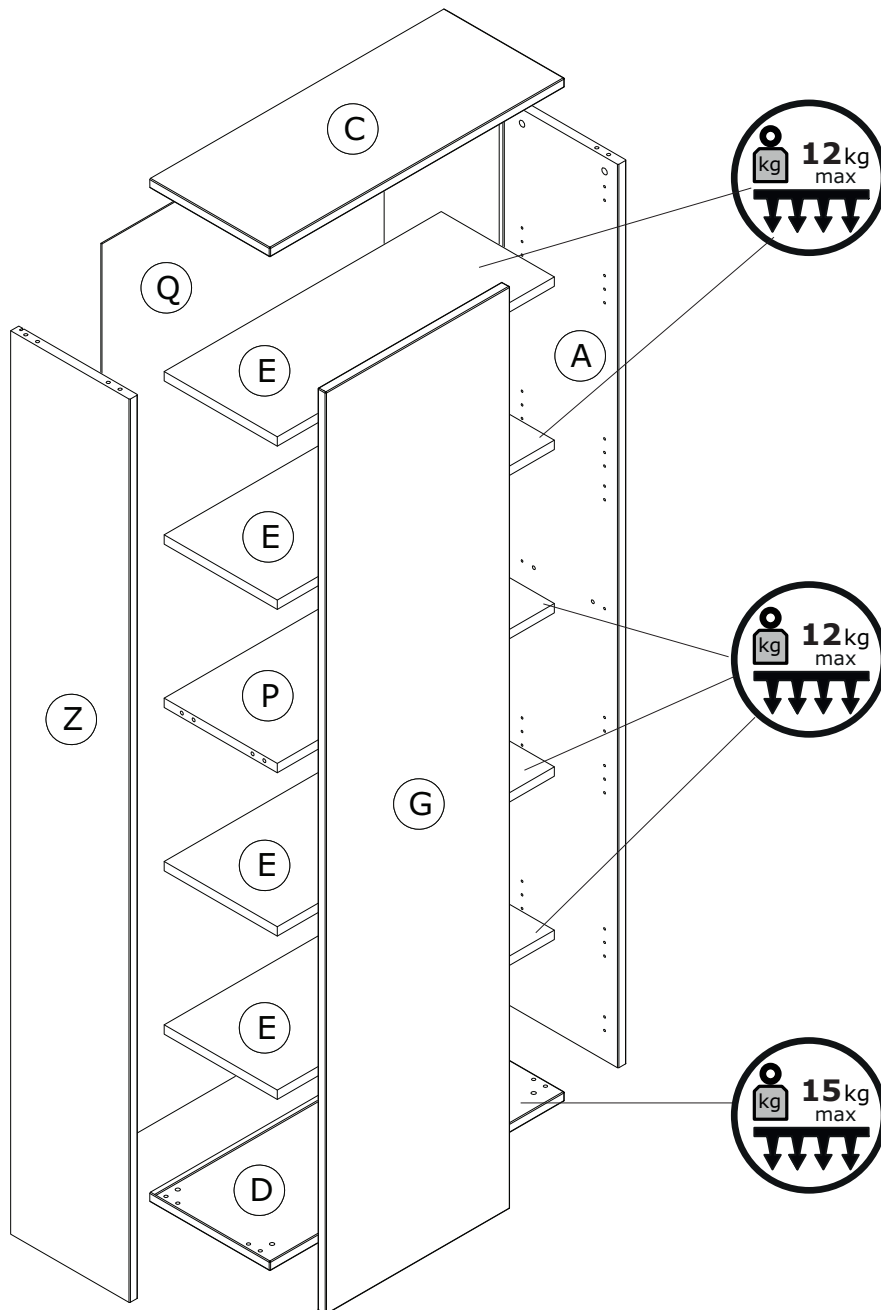
C76
x2

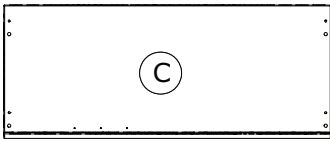


B28
x2

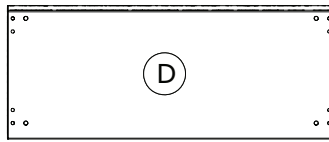


V5
x4





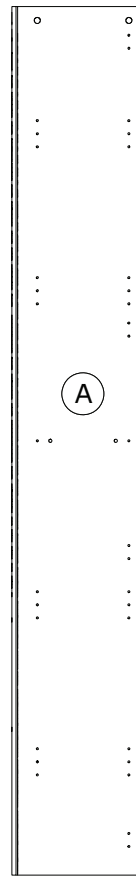
CA3392
326x800x22mm



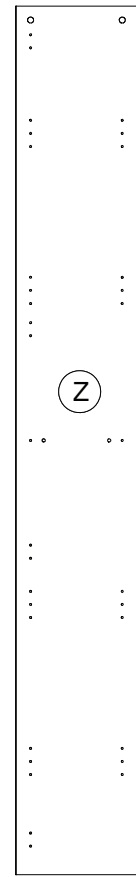
BA2082
326x800x22mm



PI6967
307x752x22mm

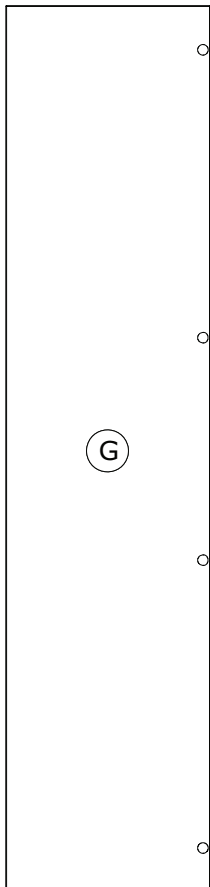


F18259
2124x323x22mm

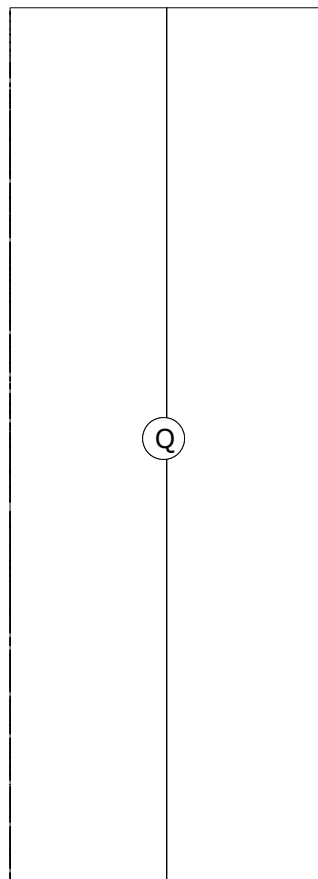


F18260
2124x323x22mm

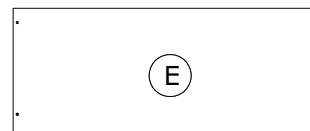
BOX 1/2



AN2697
2168x500x22mm



SH3170
2138x766x3mm



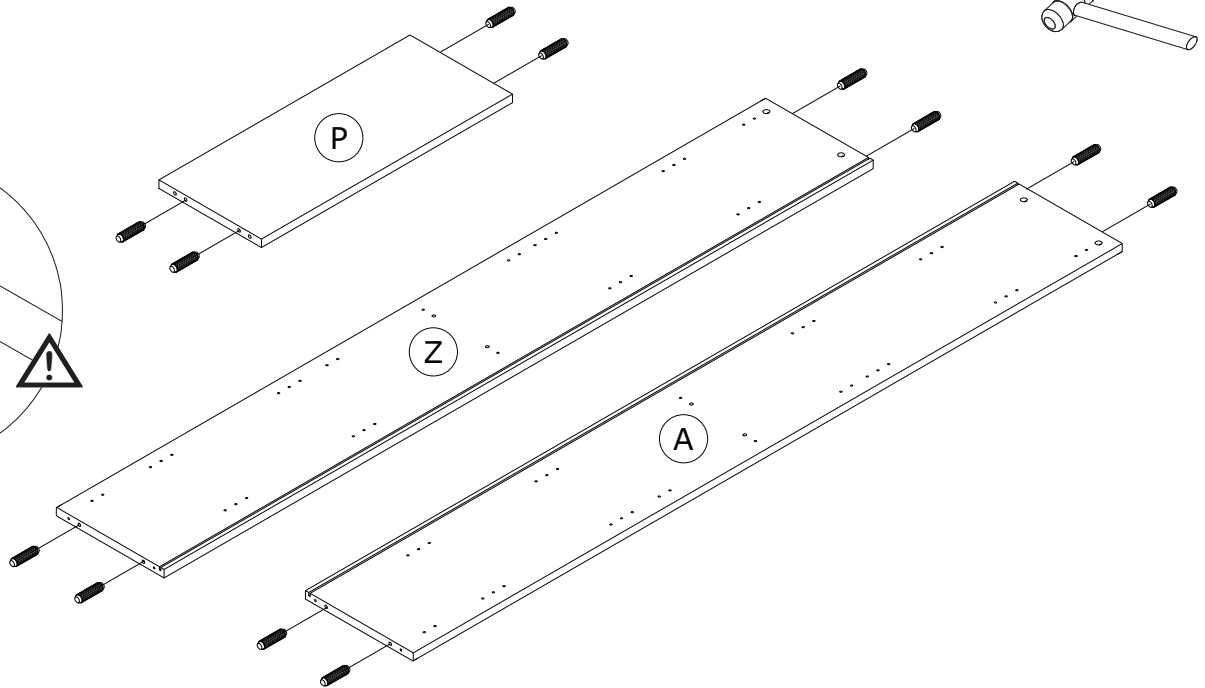
PI6966
307x752x22mm

BOX 2/2

1

12x

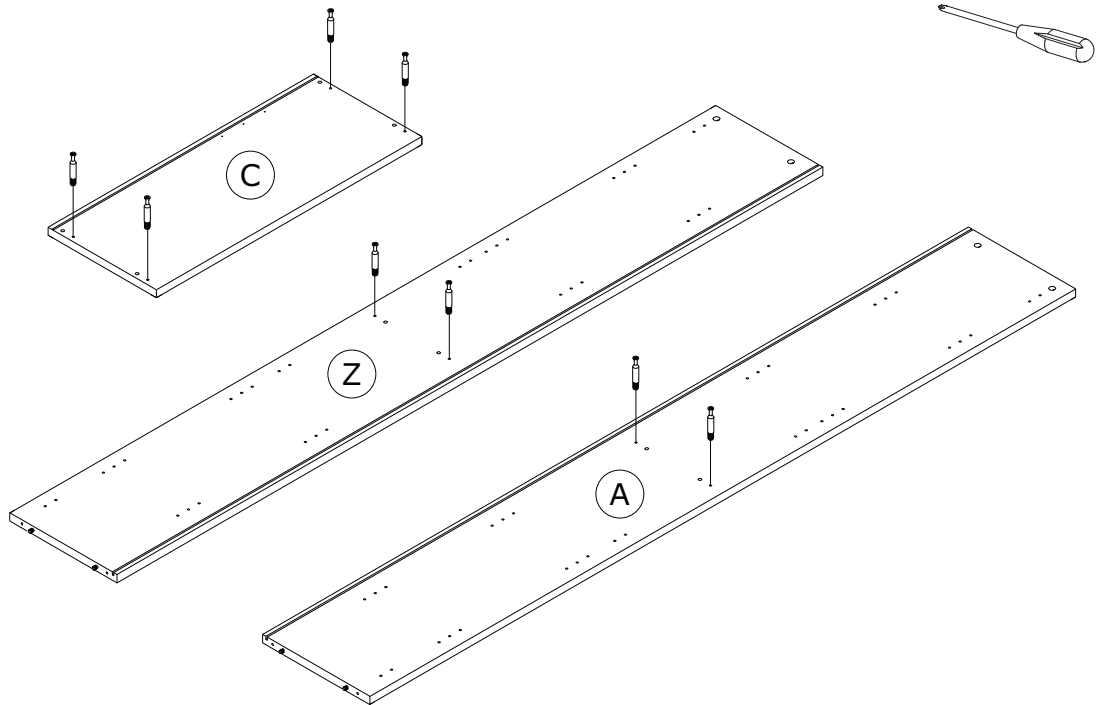
H1



2

8x

T28



3

4x

2

V5

V5

C74

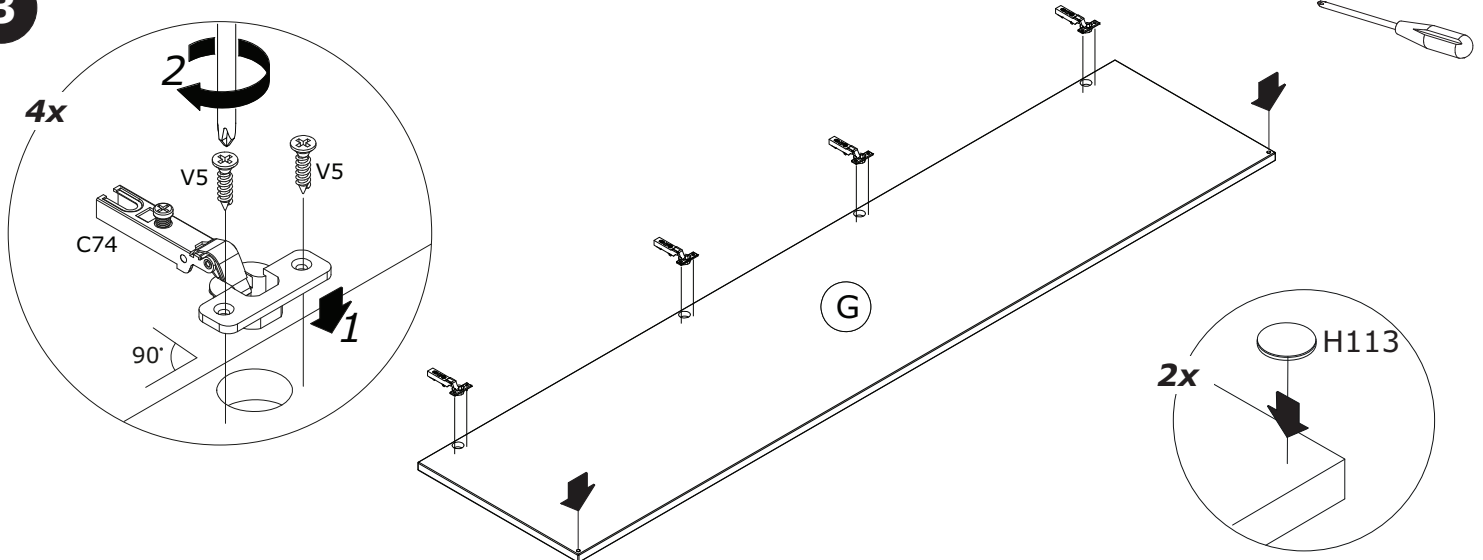
90°

1

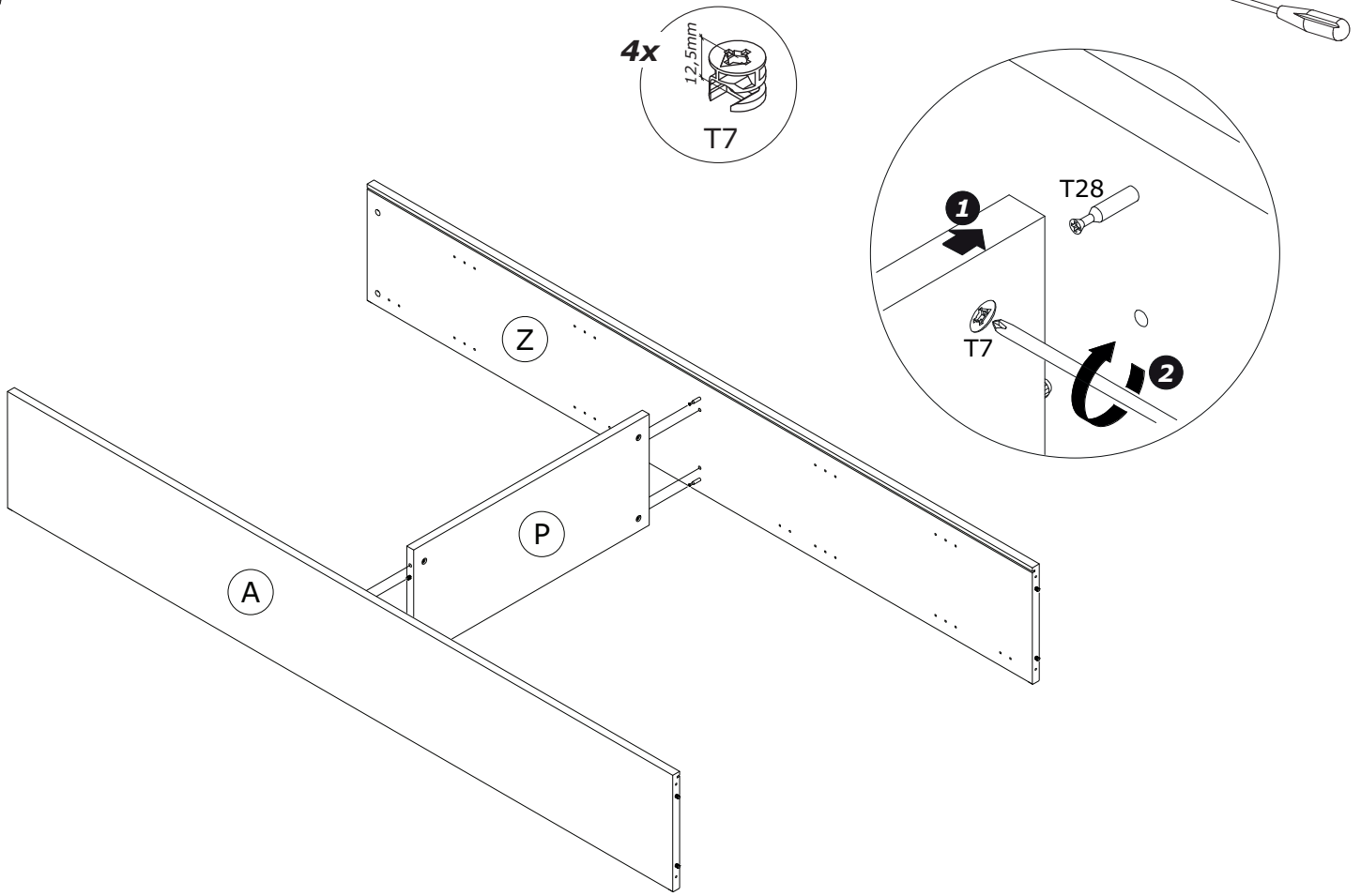
G

2x

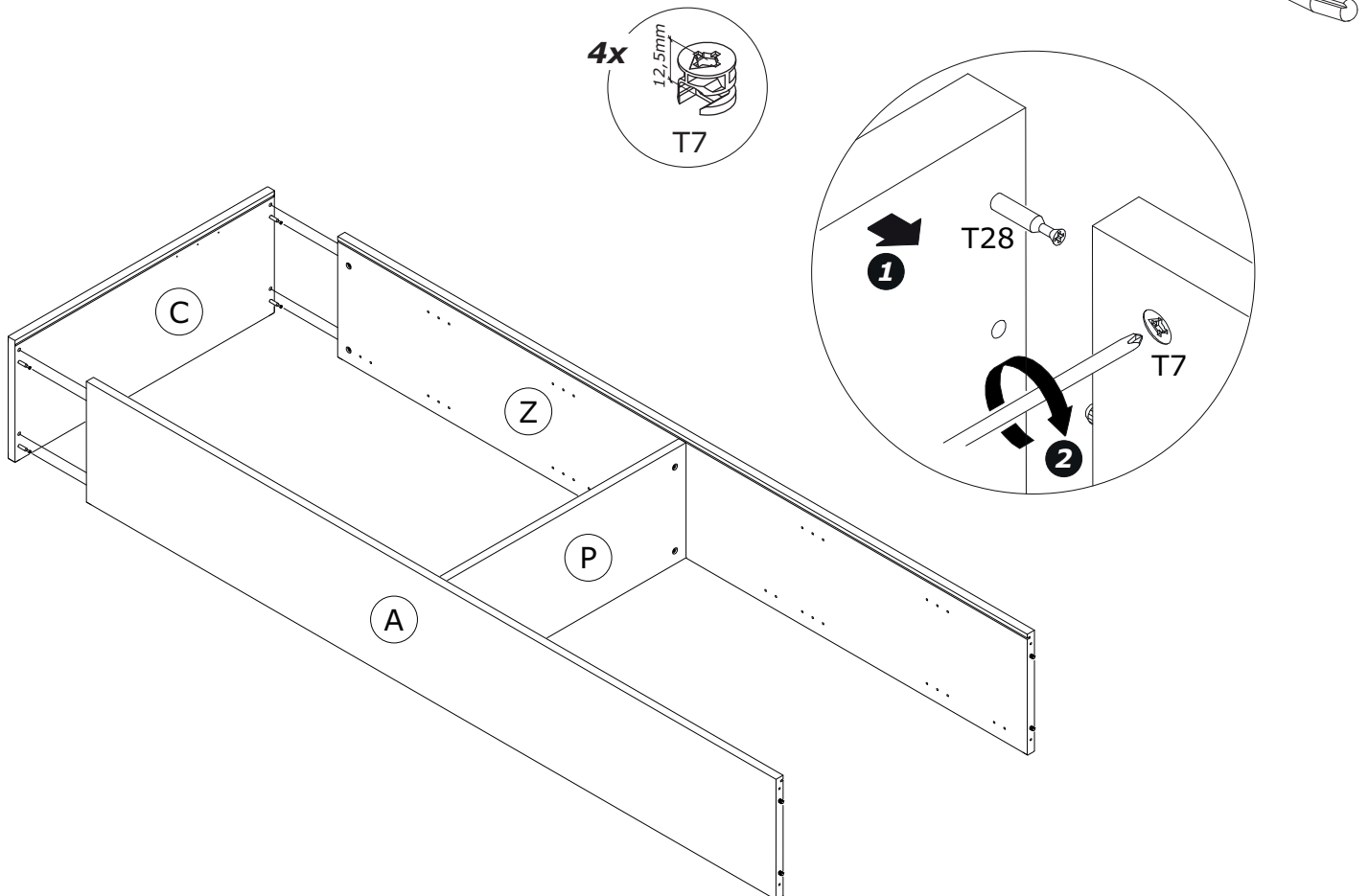
H113



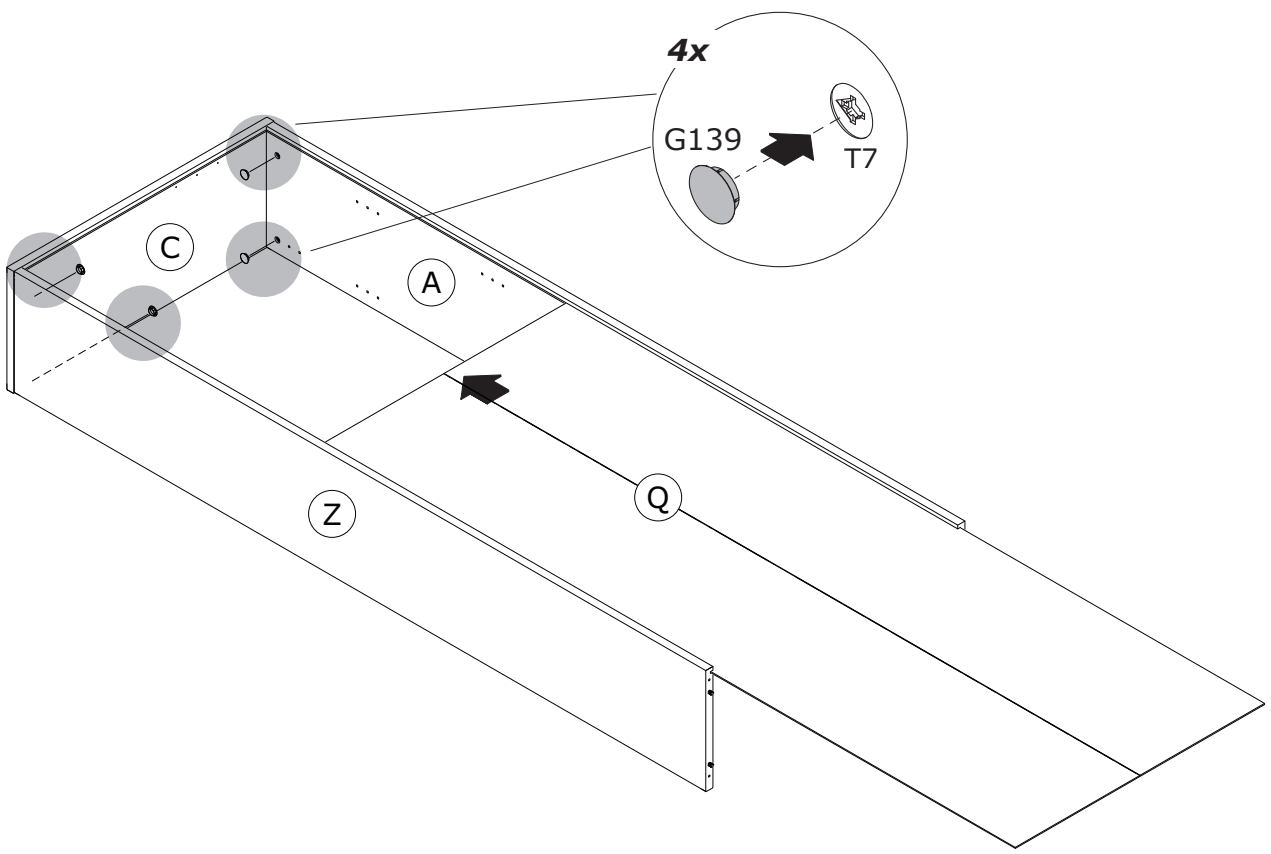
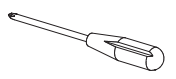
4



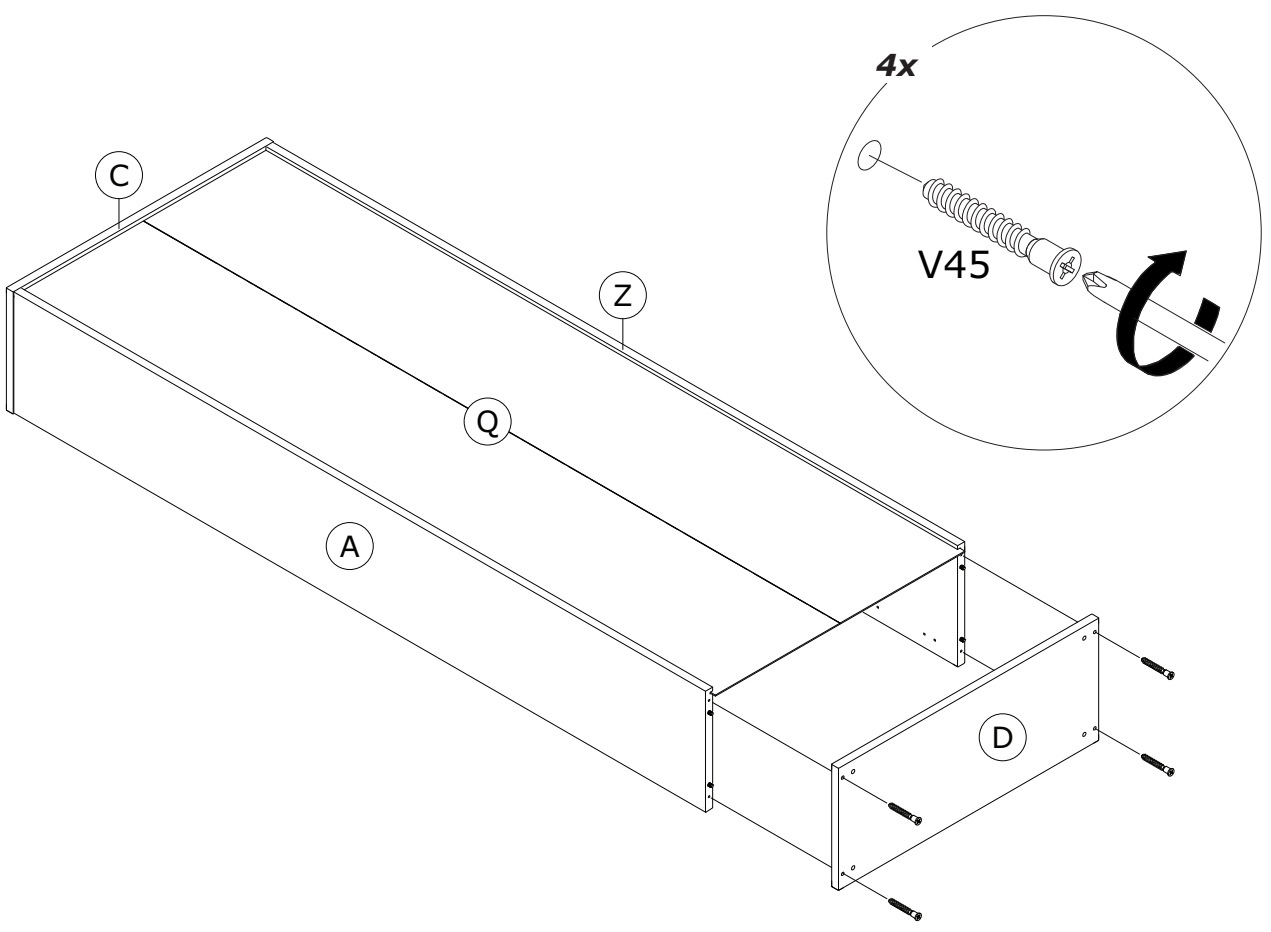
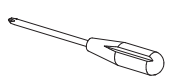
5



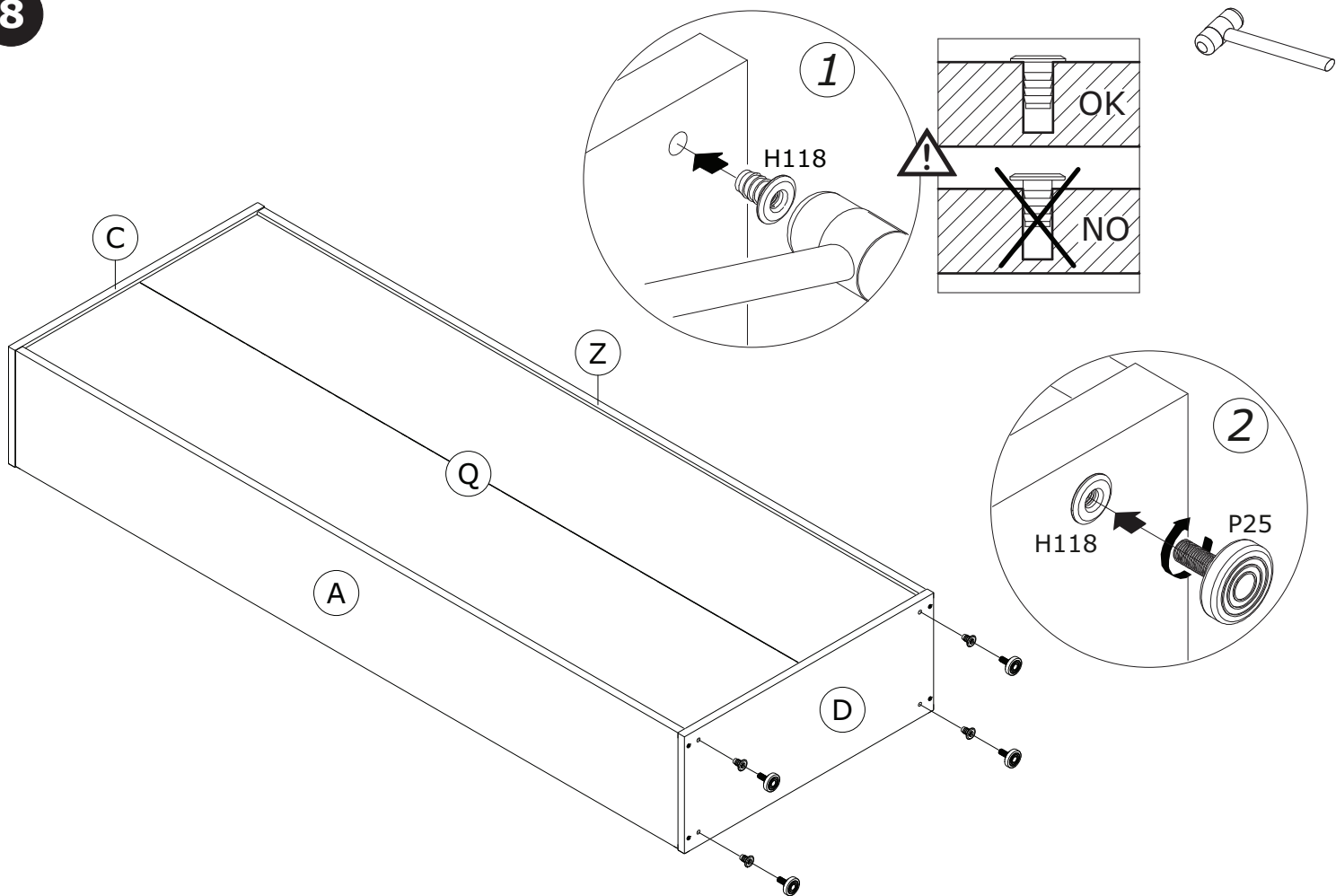
6



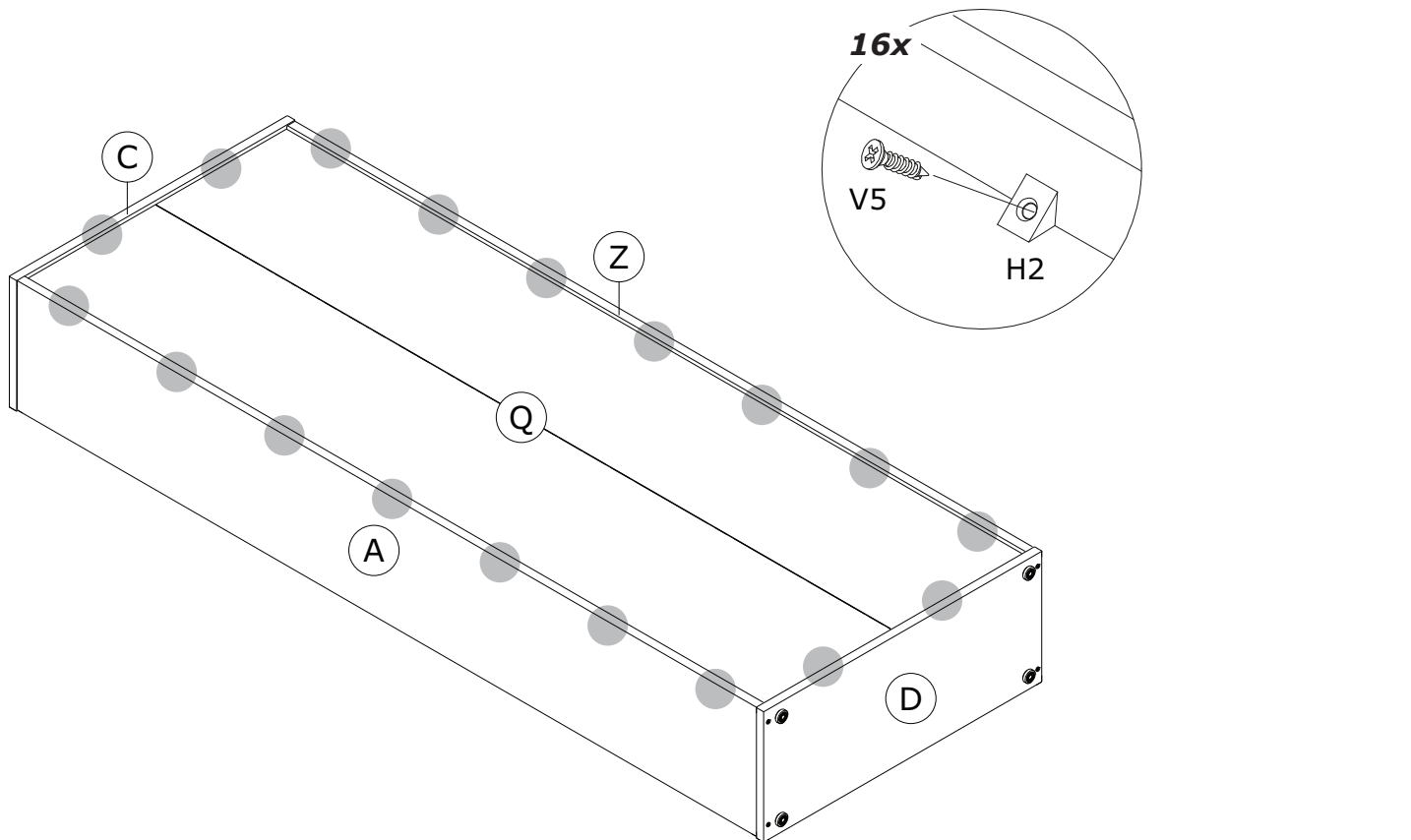
7

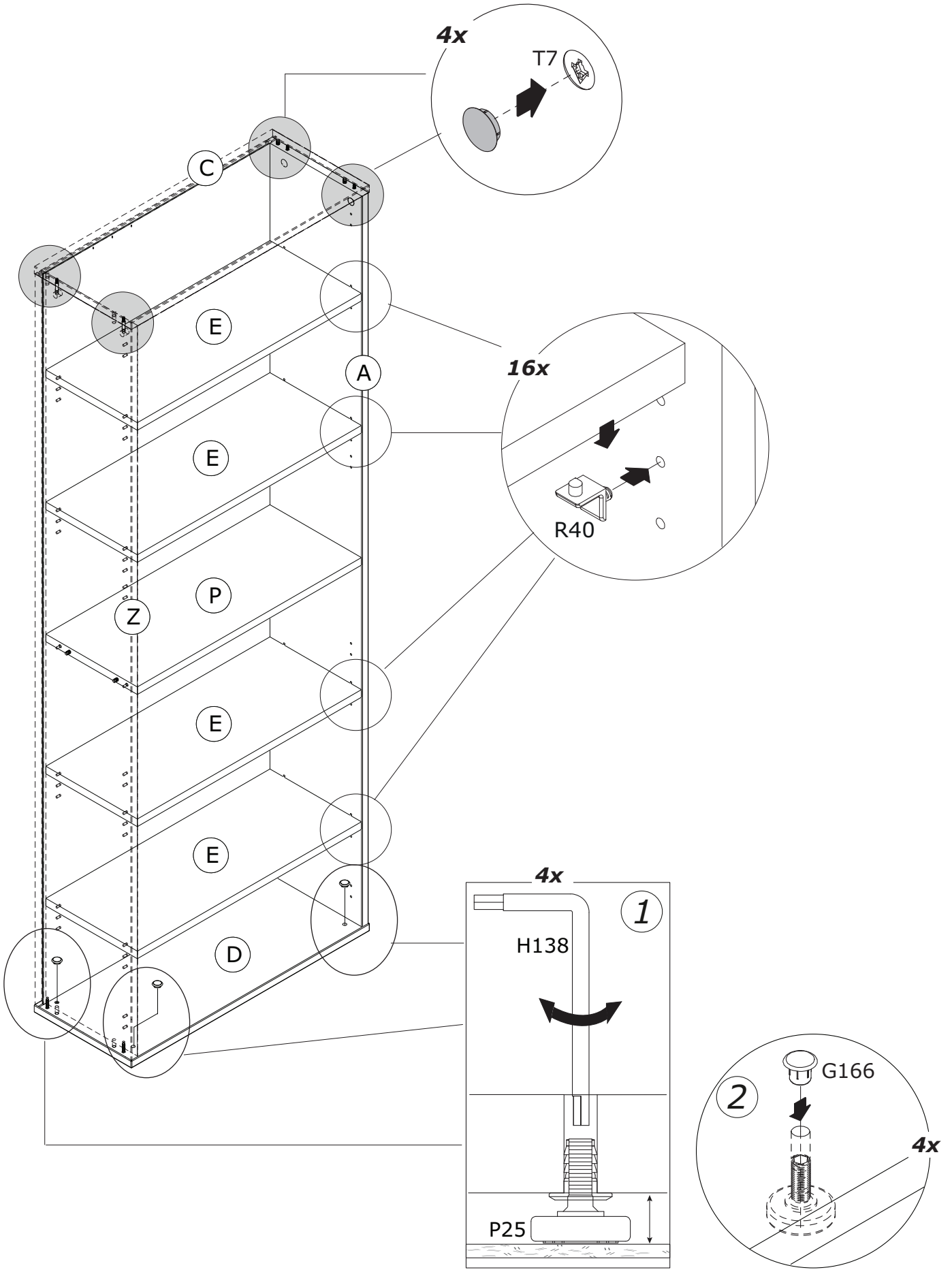
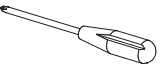


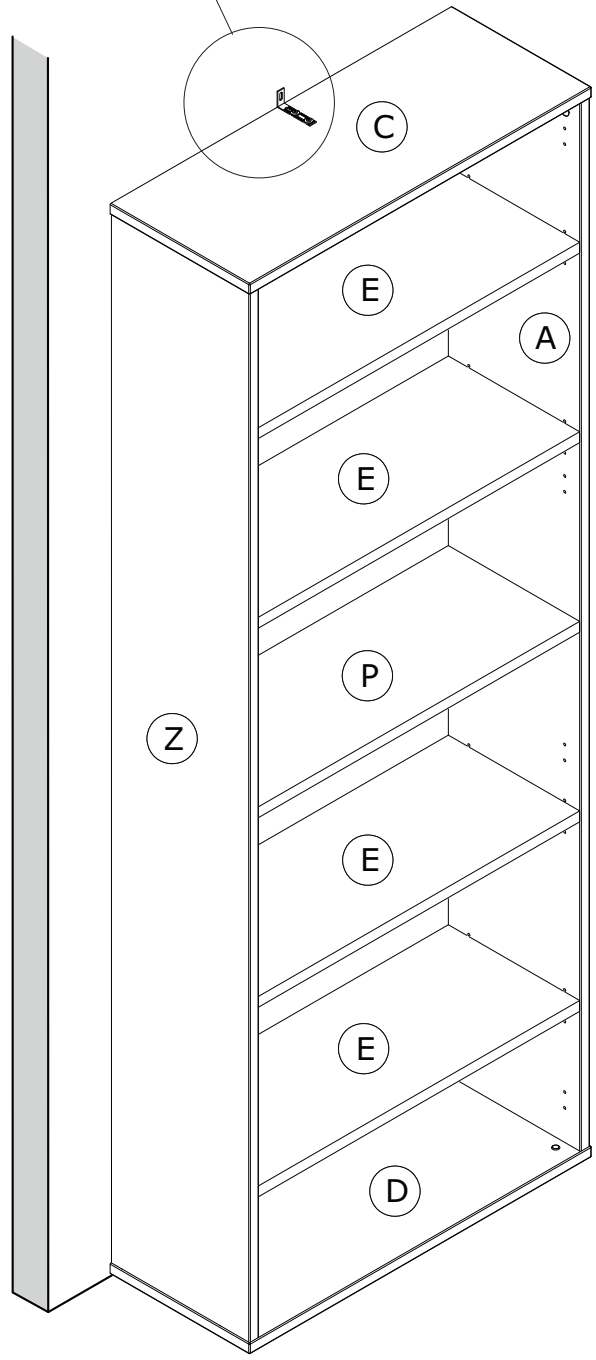
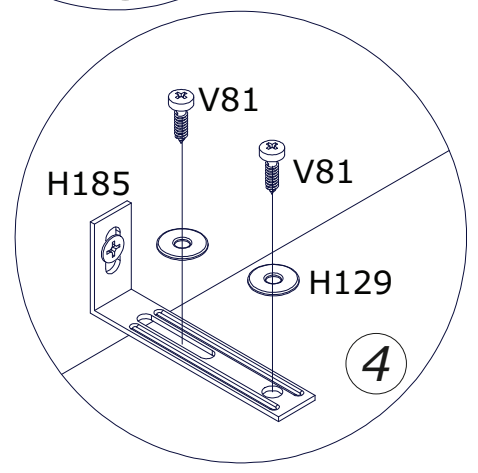
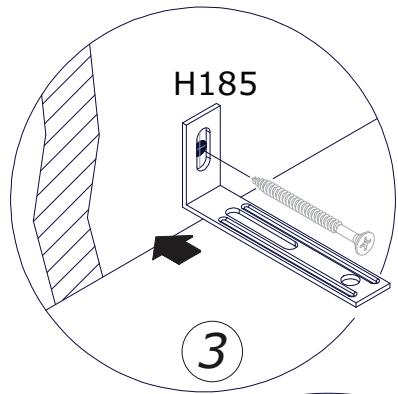
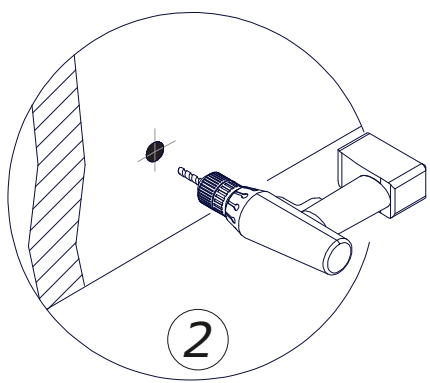
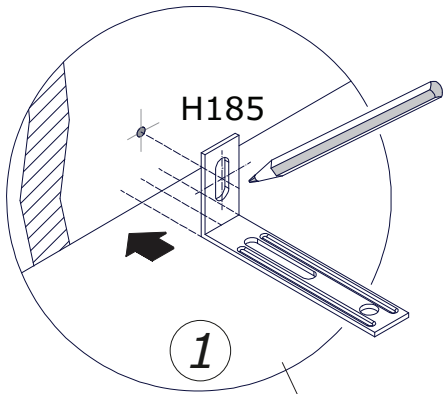
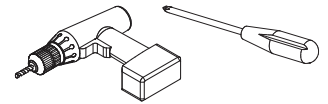
8



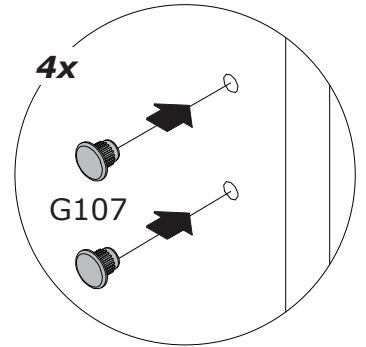
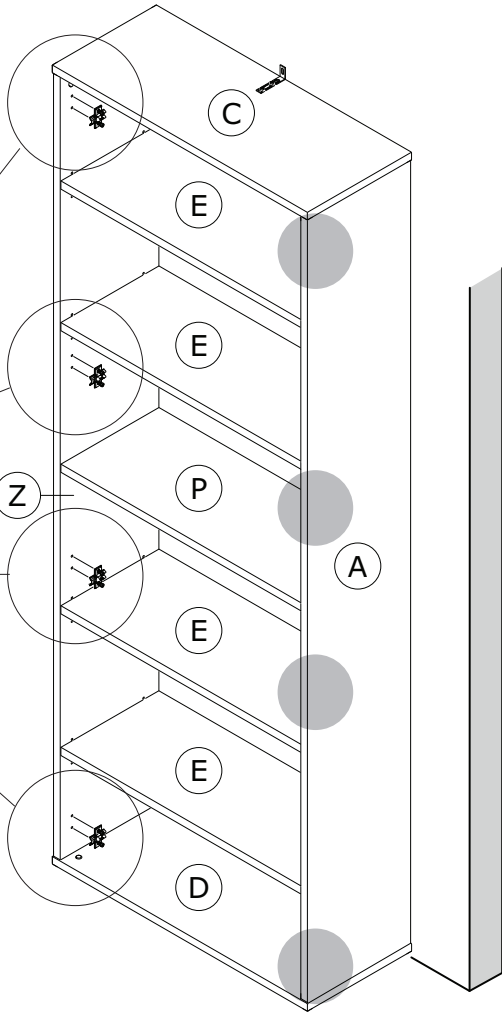
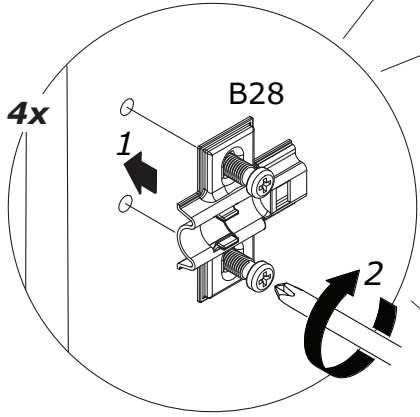
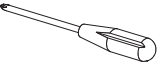
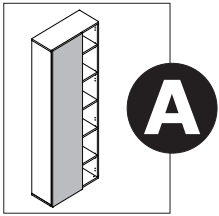
9



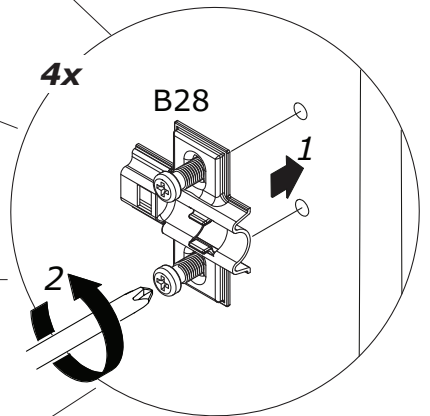
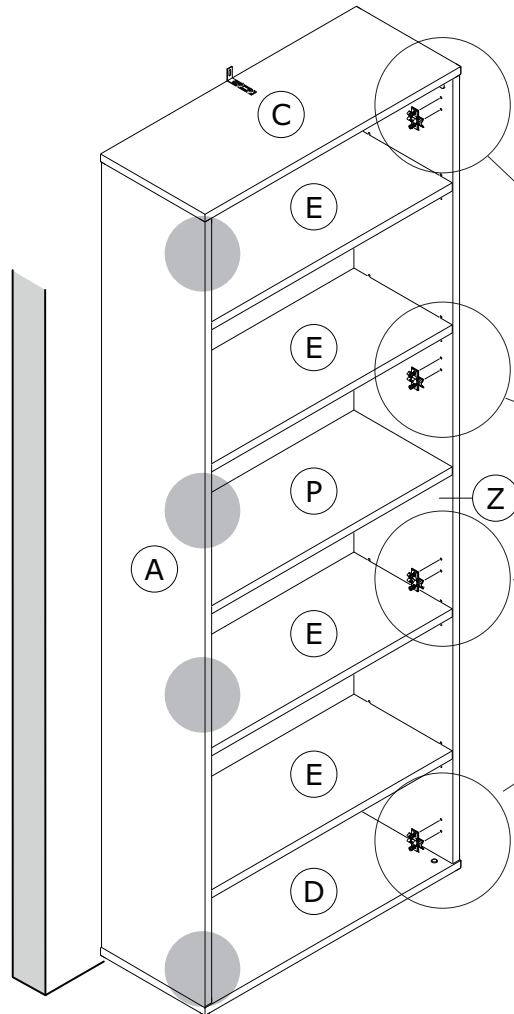
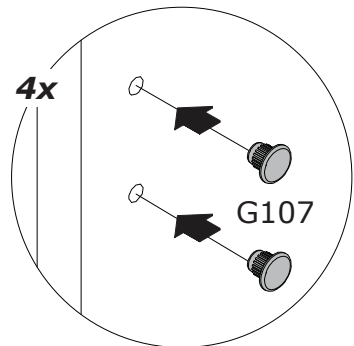
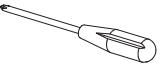
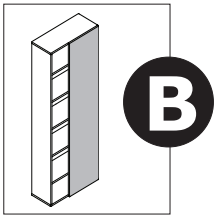




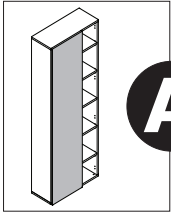
12



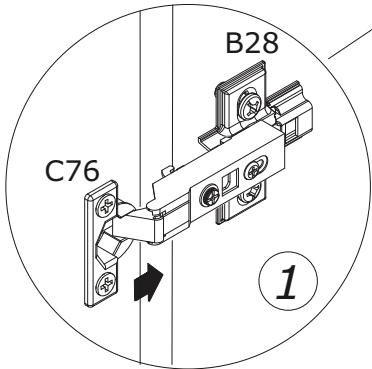
12



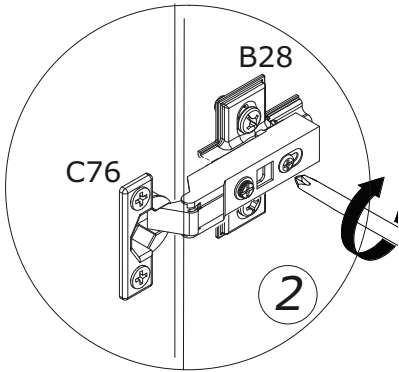
13



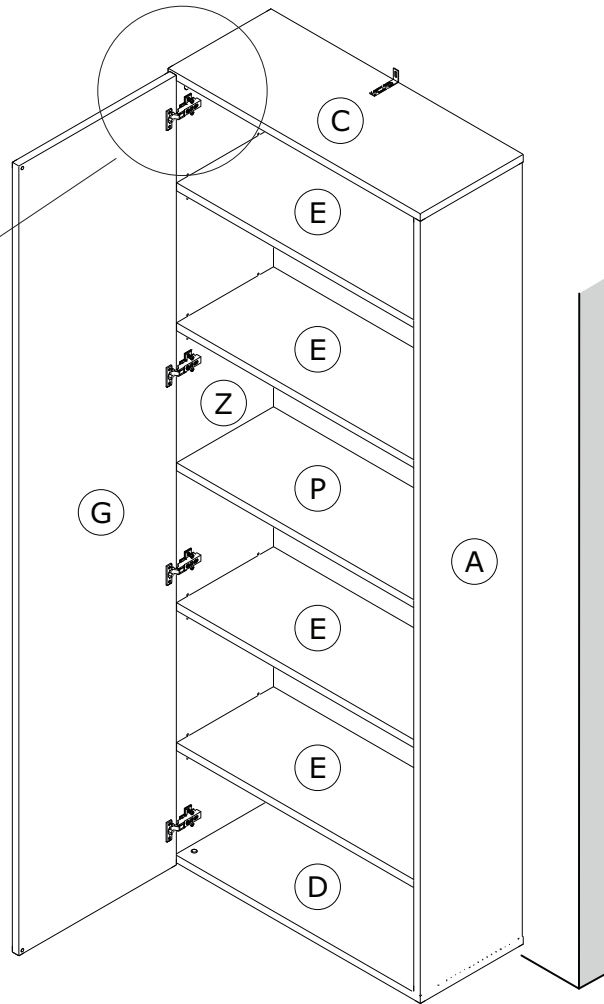
A



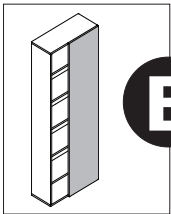
1



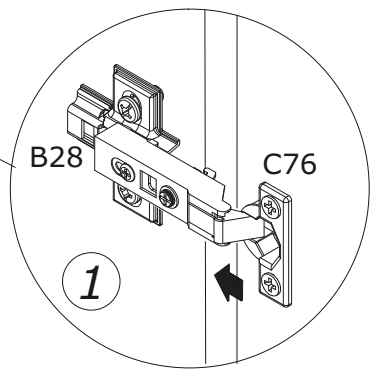
2



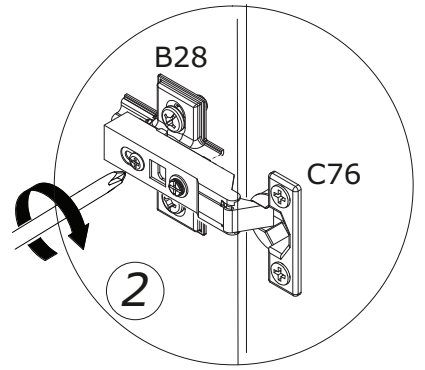
13



B



1



2

