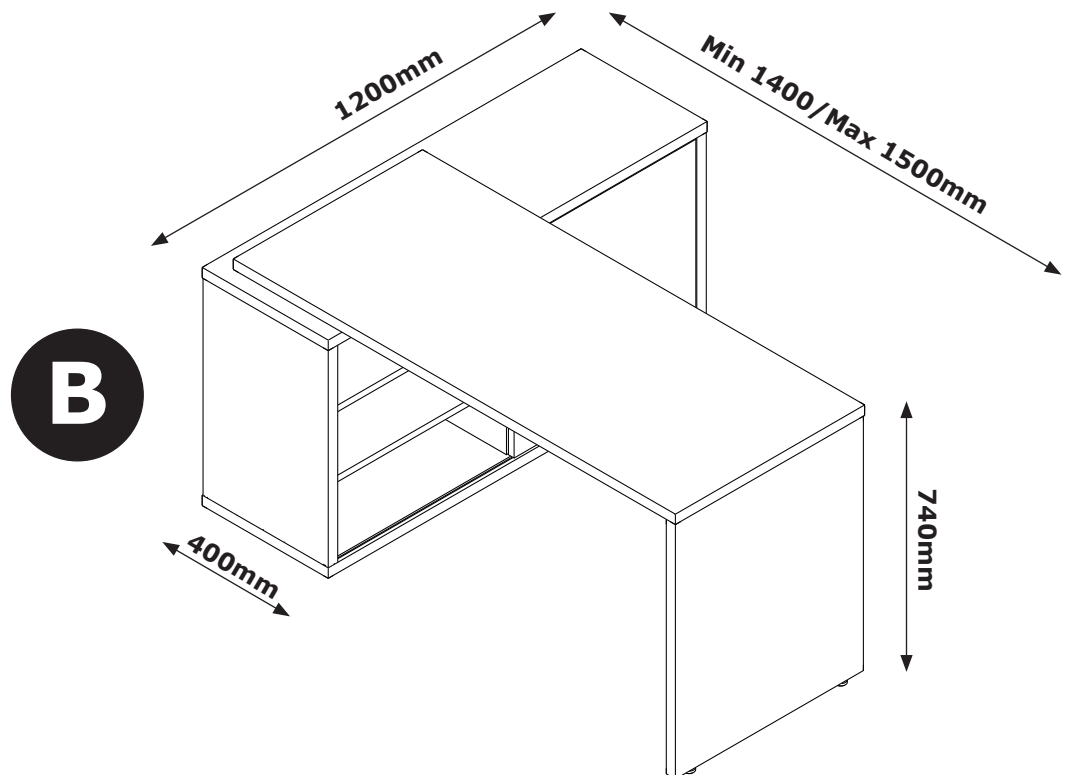
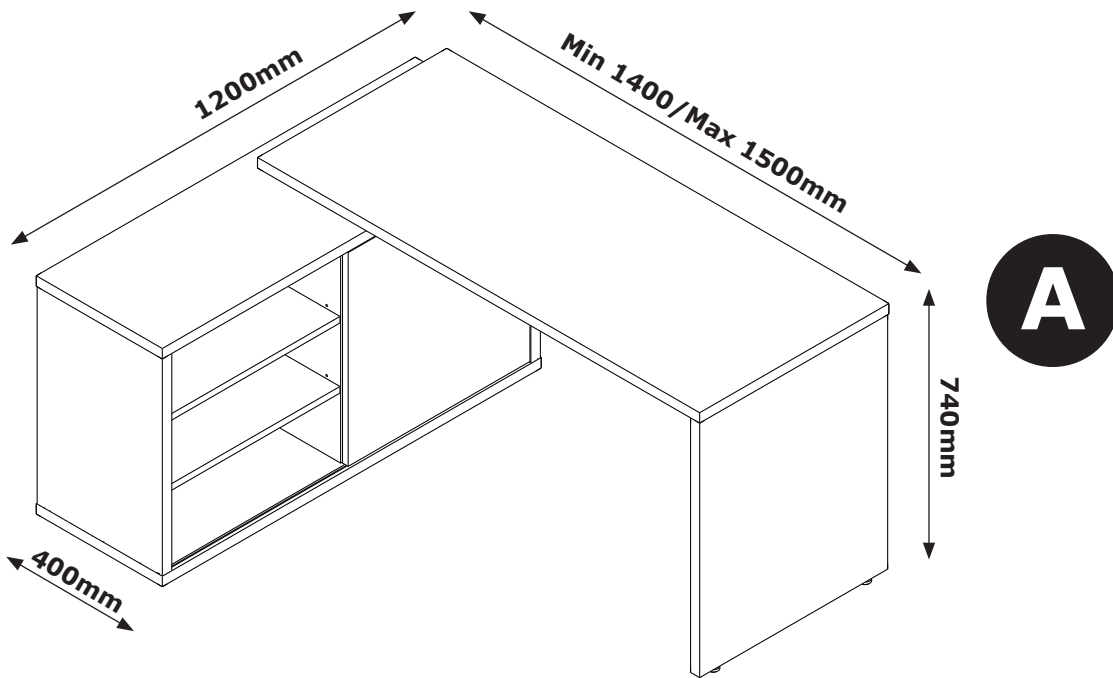


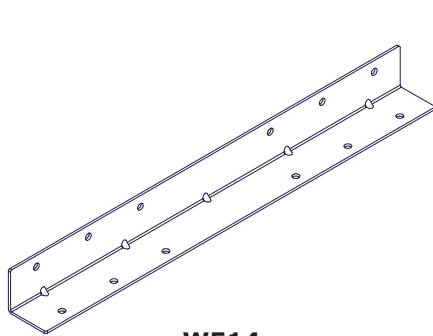
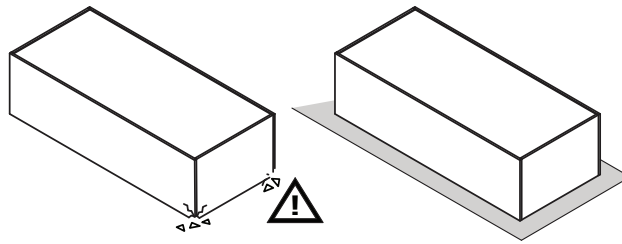
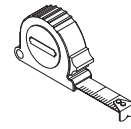
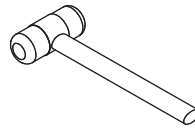
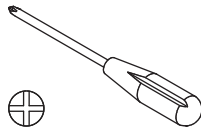
SR5162K30404



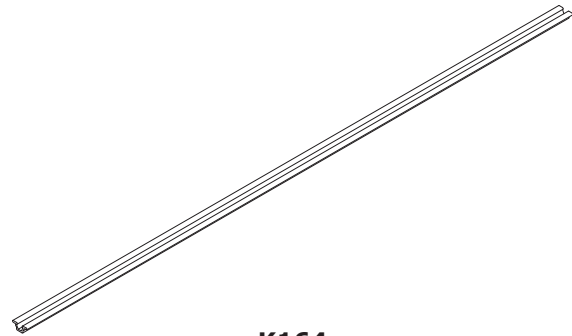
QF5029



2,5h

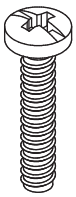


W514
x1

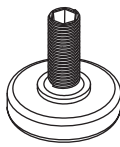


K164
x2

BU4178



V118
x12



P25
x8



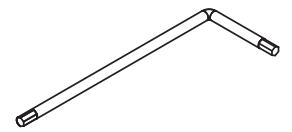
H118
x8



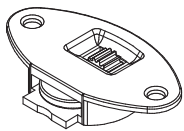
R40
x16



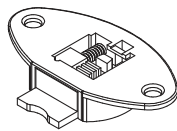
H113
x4



H138
x1



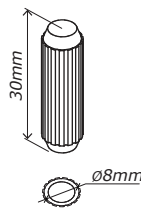
H237
x2



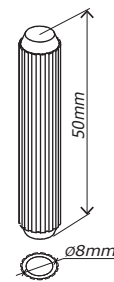
H249
x2



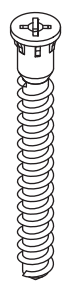
V5
x8



H1
x16



H32
x8



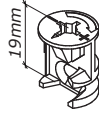
V57
x10



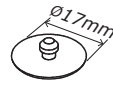
T28
x14



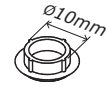
T99
x6



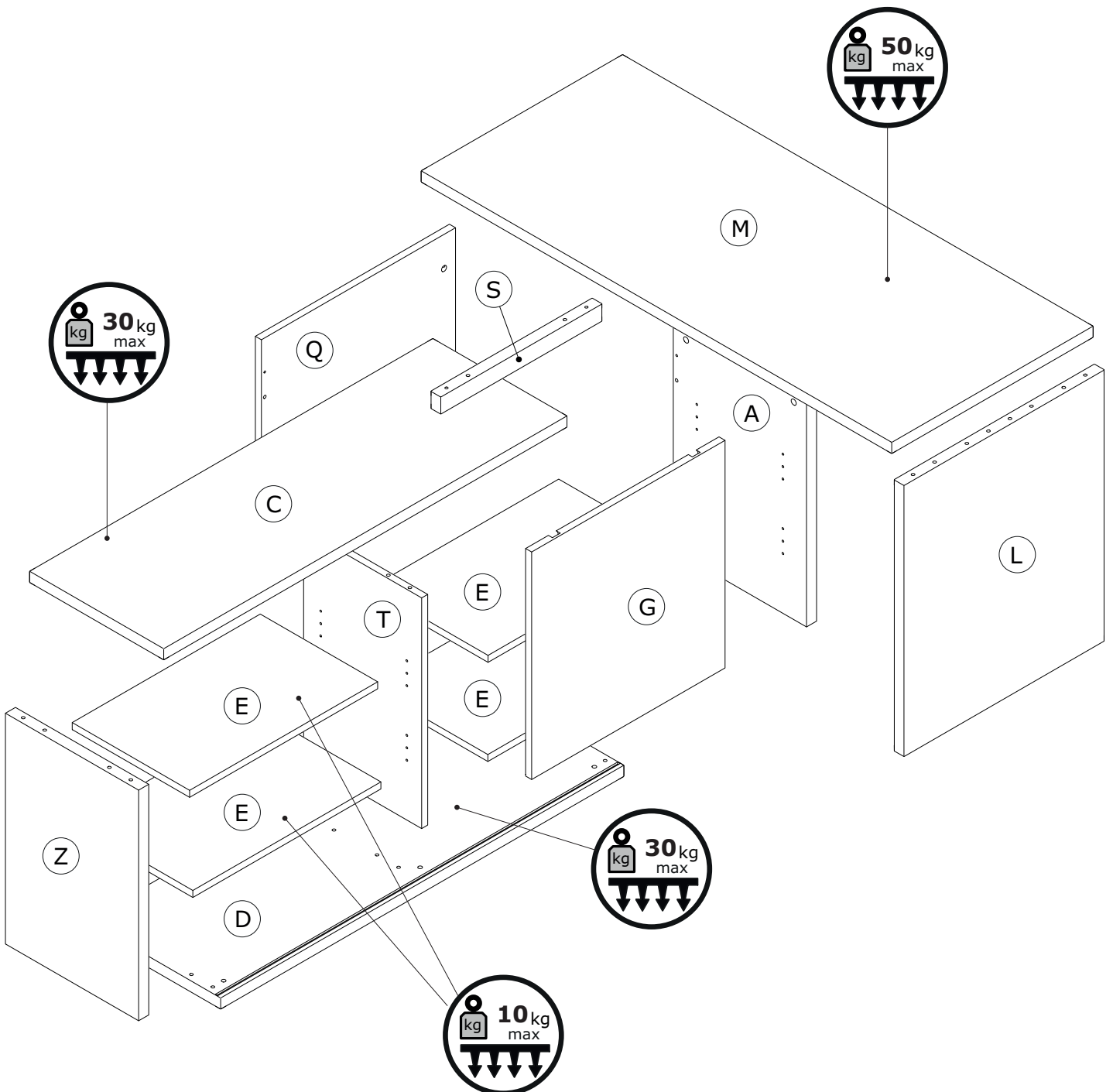
T97
x8

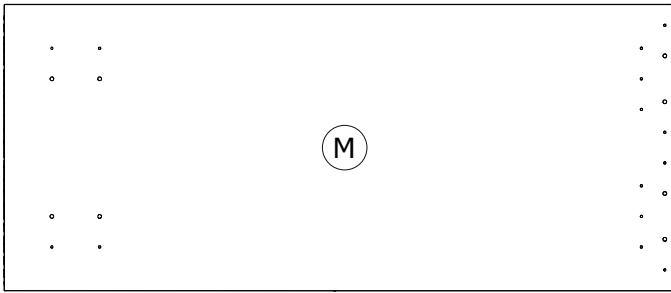


G57
x12

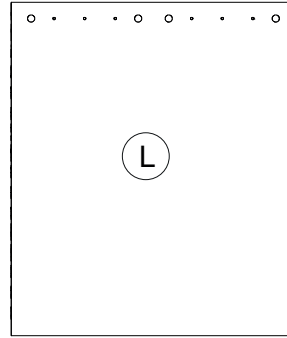


G120
x6

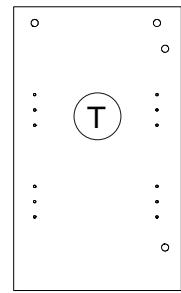




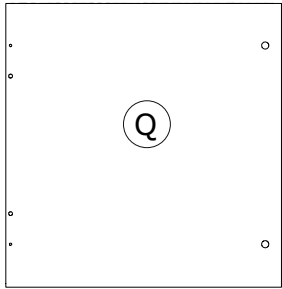
CA3526
1400x600x30mm



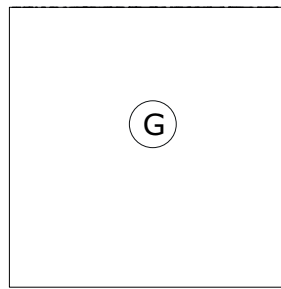
FI8579
698x599x30mm



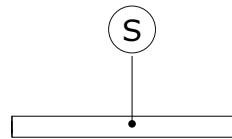
TR2195
594x351x18mm



SH3289
594x578x18mm

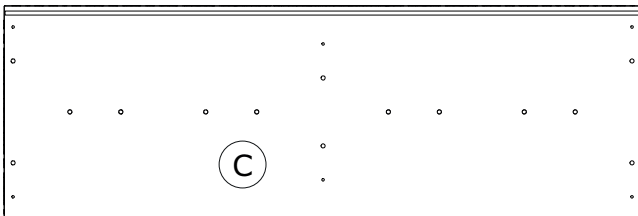


AN2808
586x575x18mm

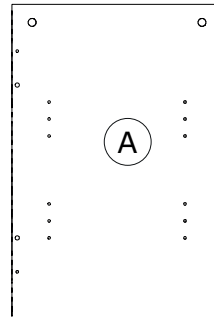


FS3881
44x480x30mm

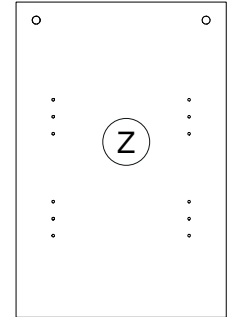
BOX 1/2



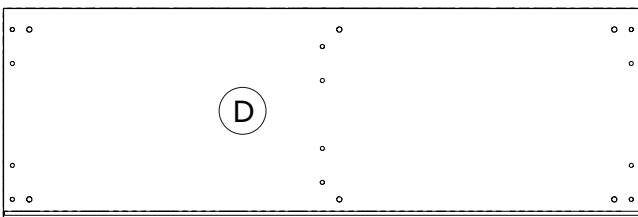
CA3530
1197x398x30mm



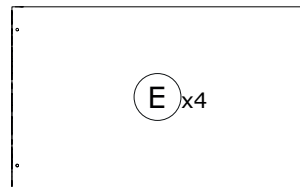
FI8583
594x396x30mm



FI8585
594x396x30mm



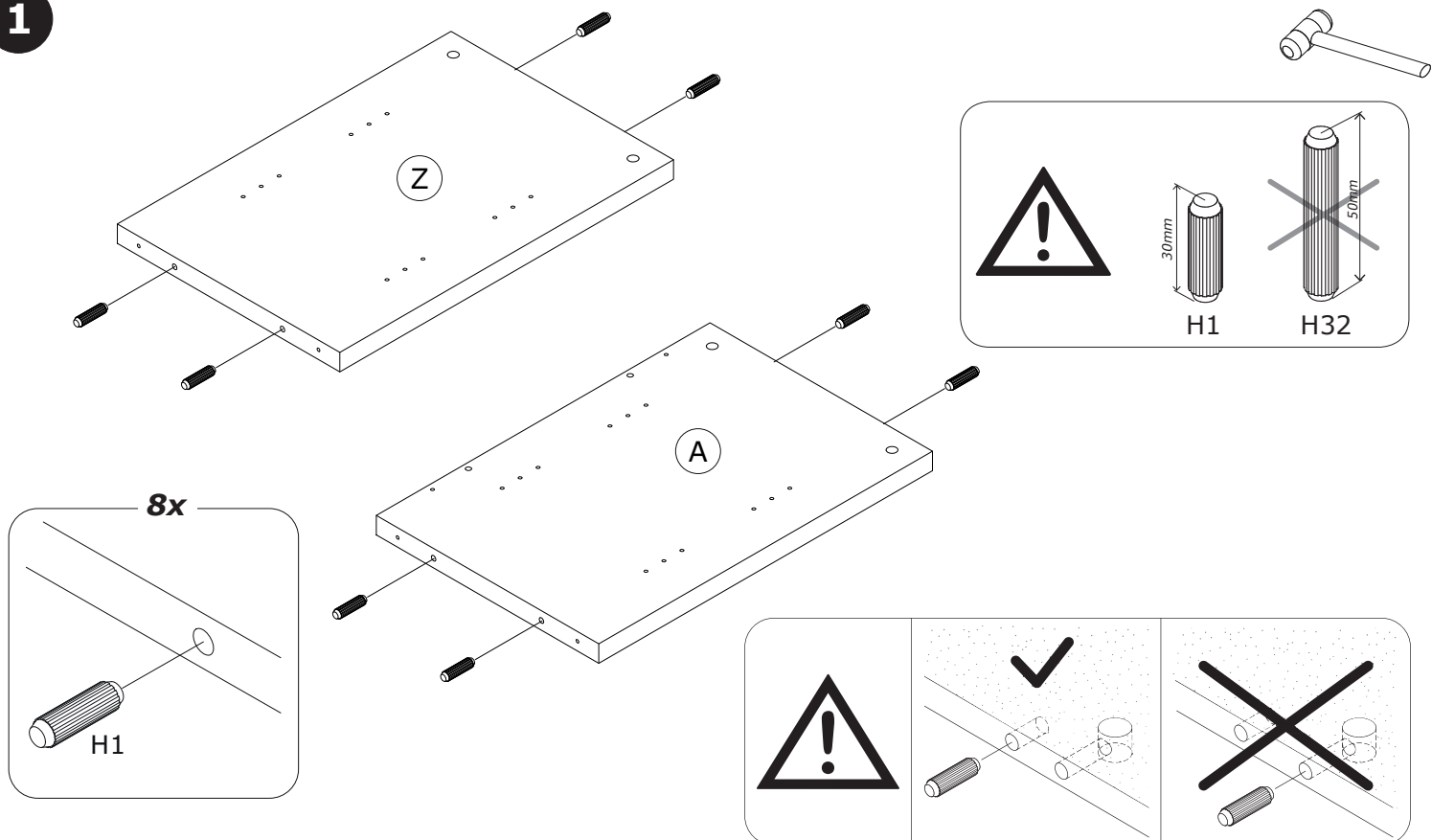
BA2153
1197x398x30mm



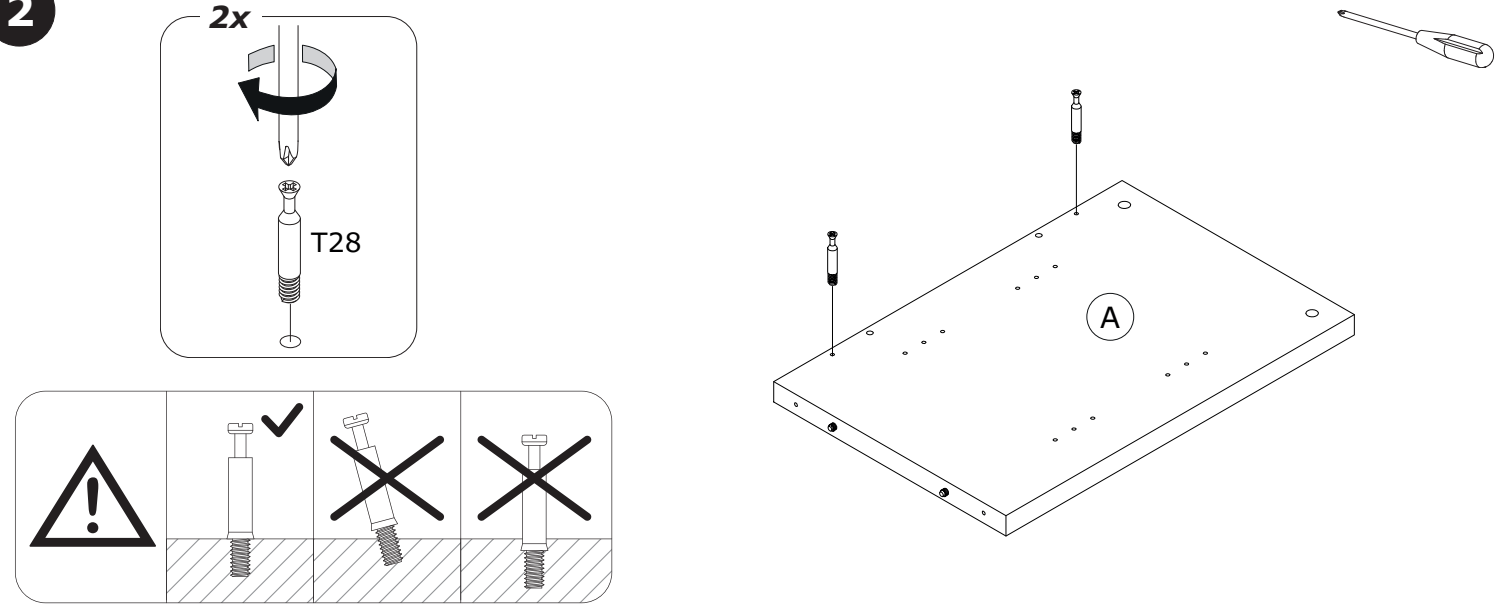
PI7083
559x349x18mm

BOX 2/2

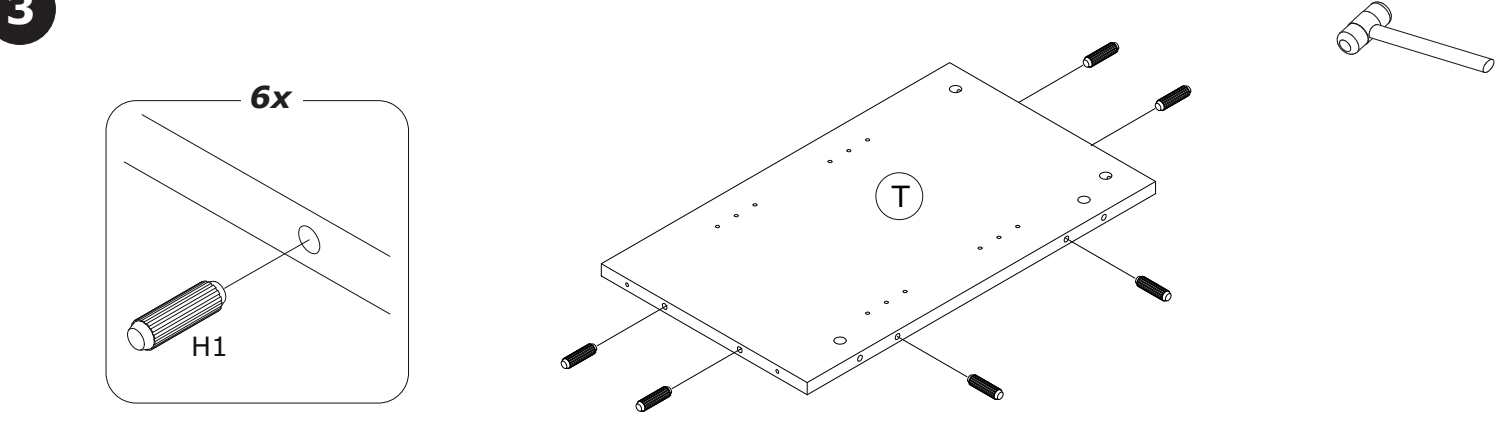
1



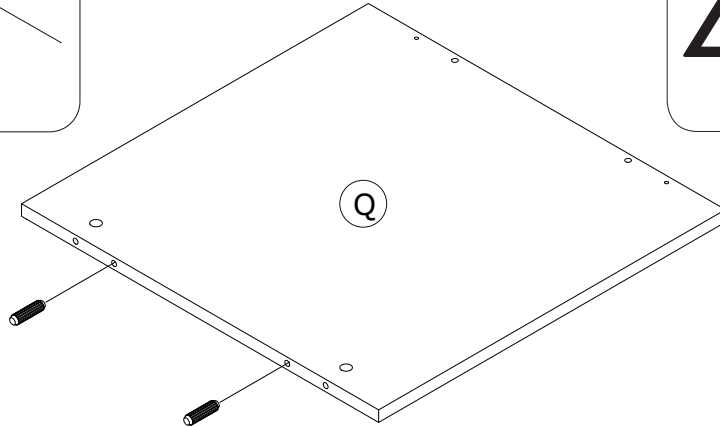
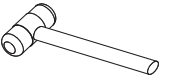
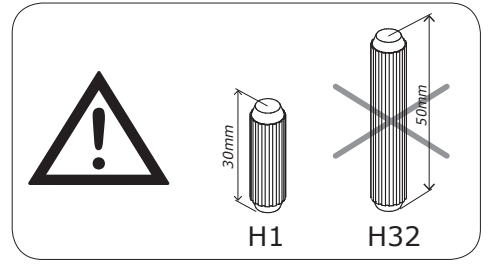
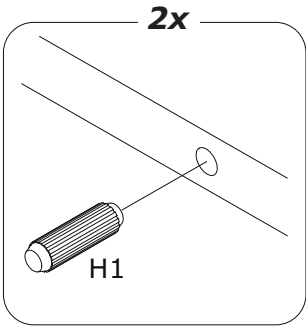
2



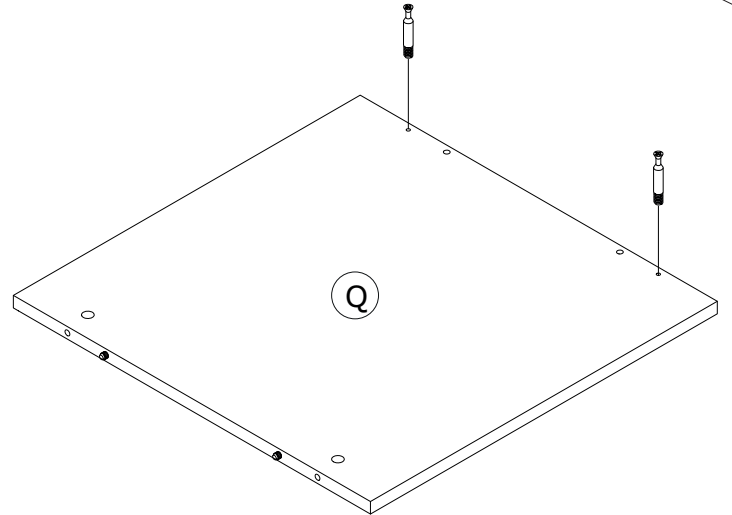
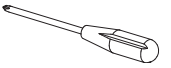
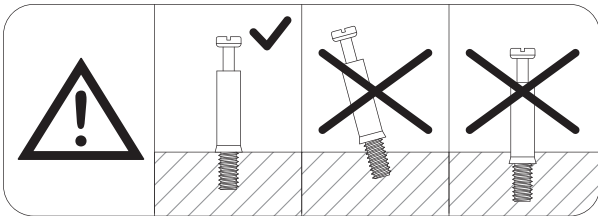
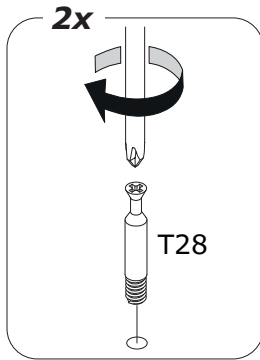
3



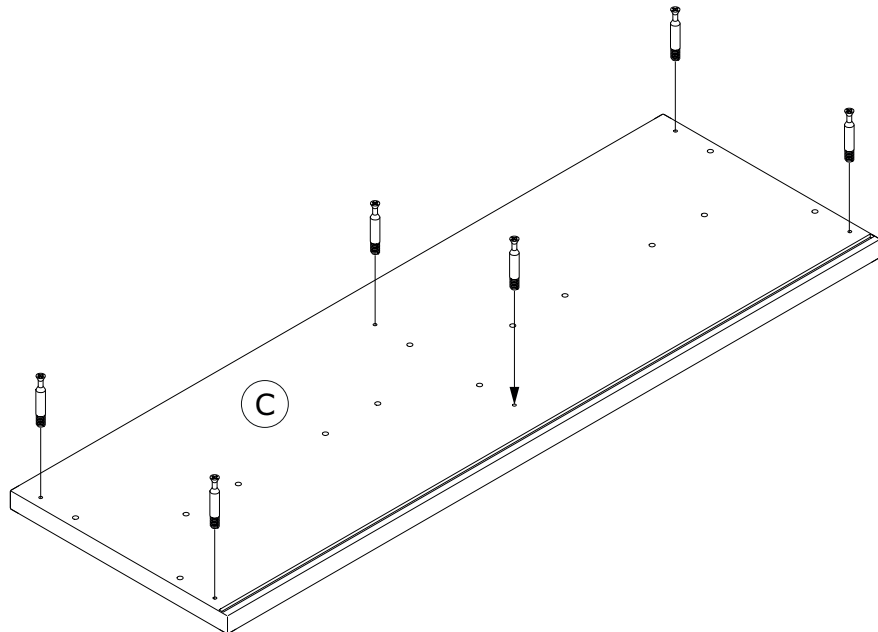
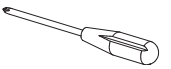
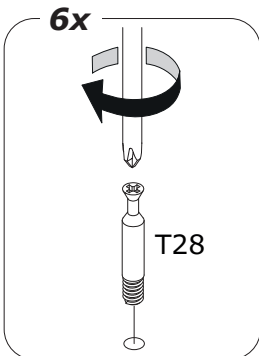
4



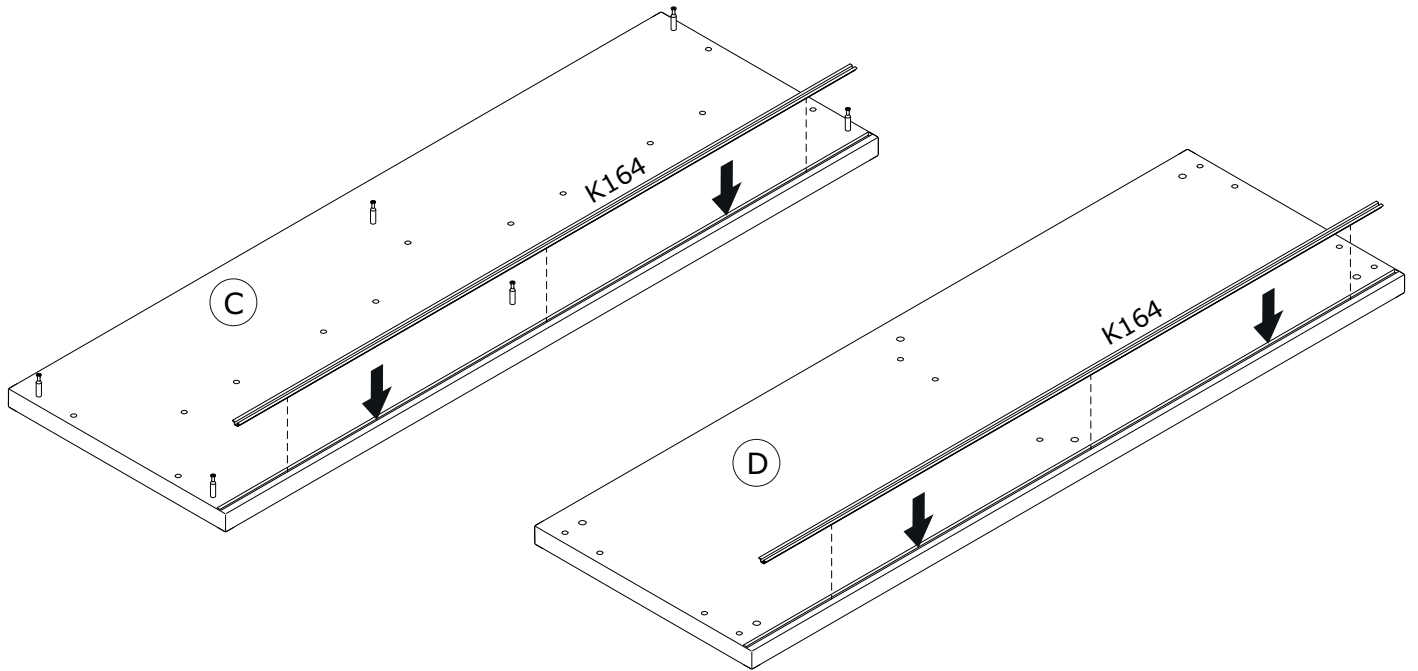
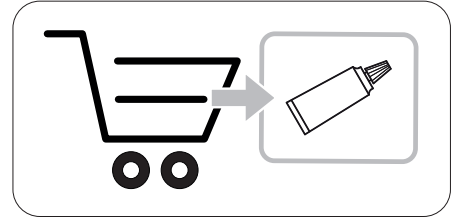
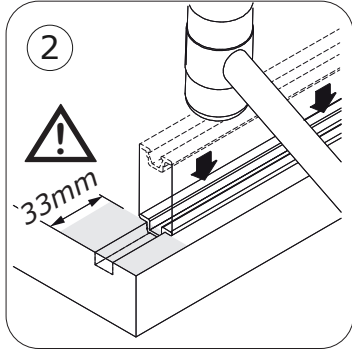
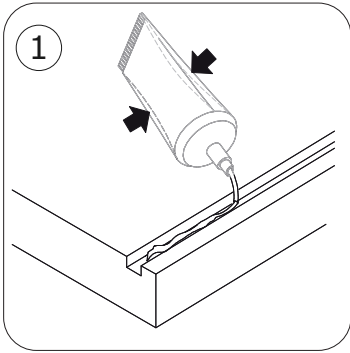
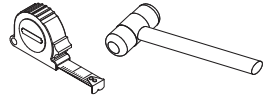
5



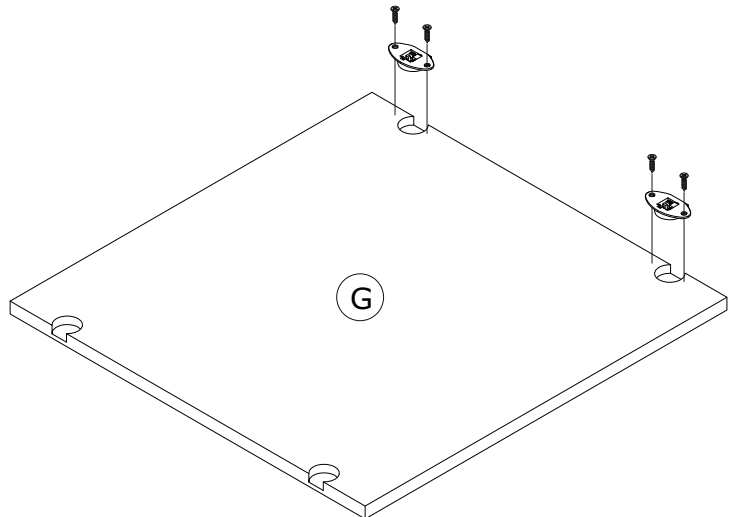
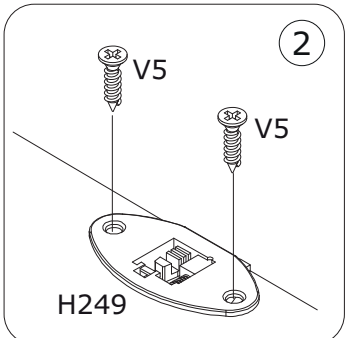
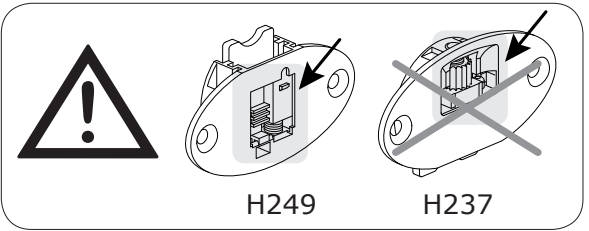
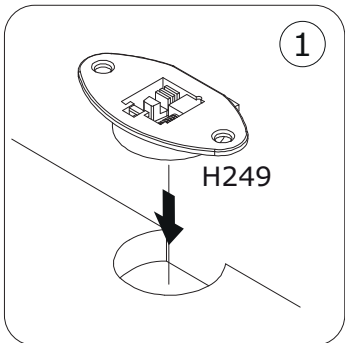
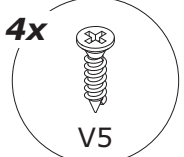
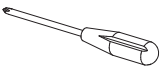
6



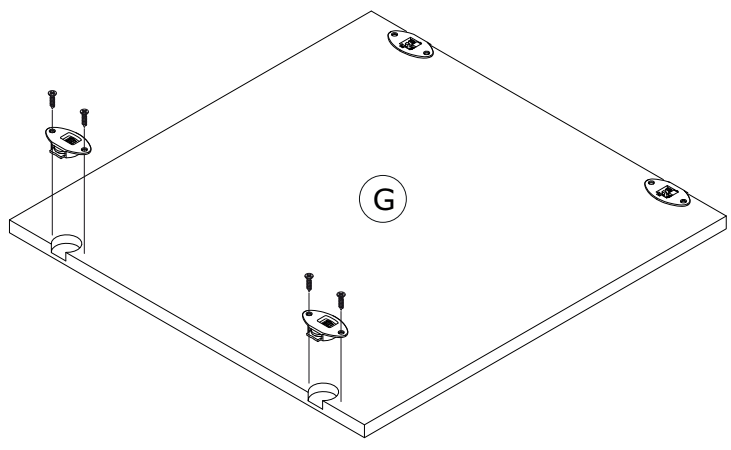
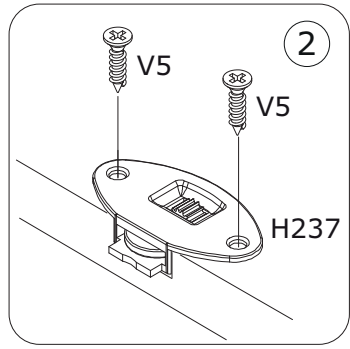
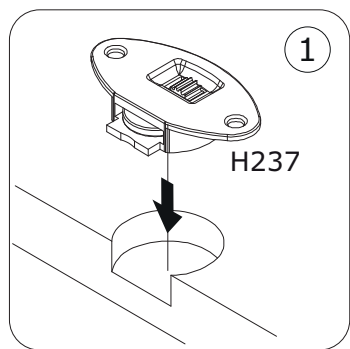
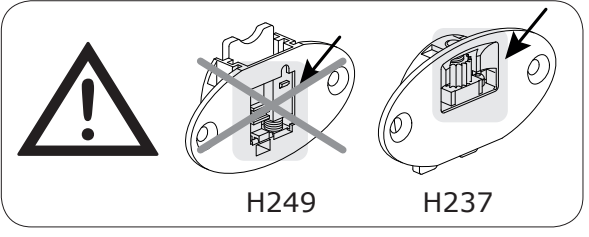
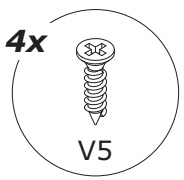
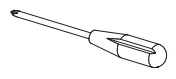
7



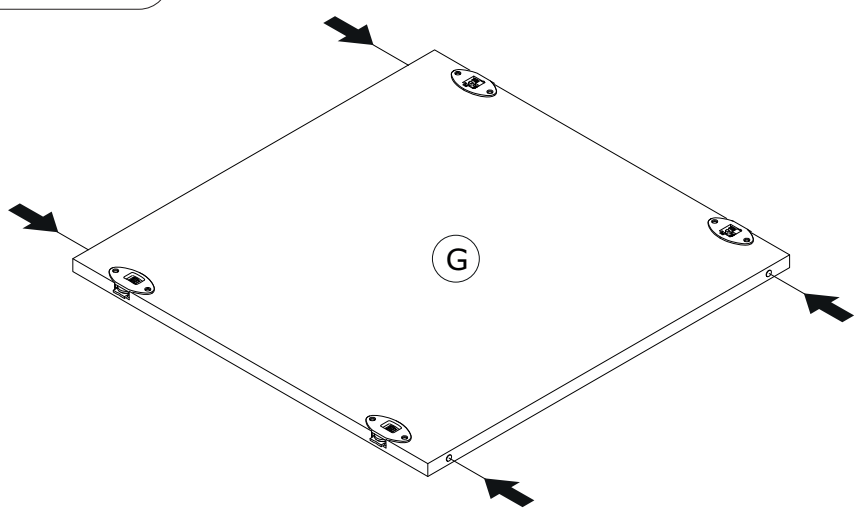
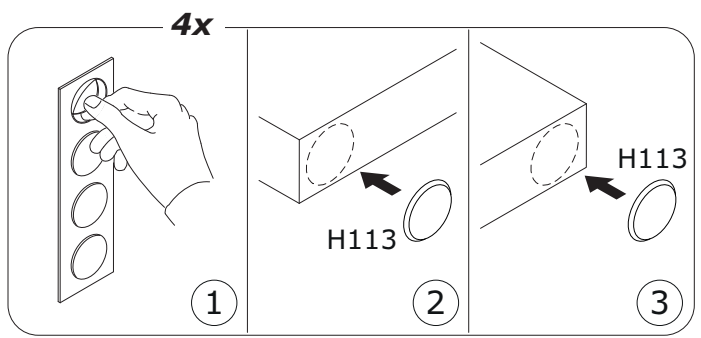
8



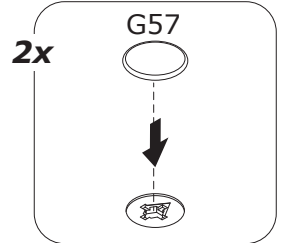
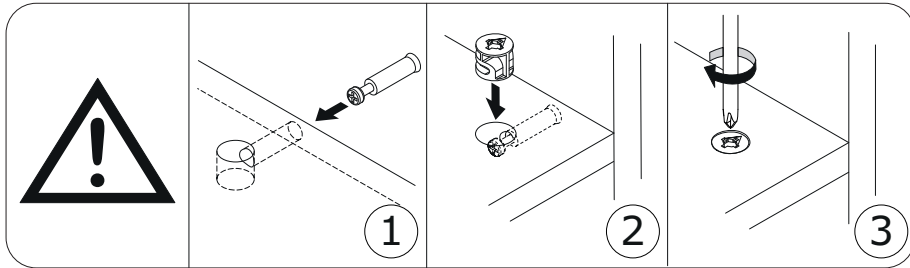
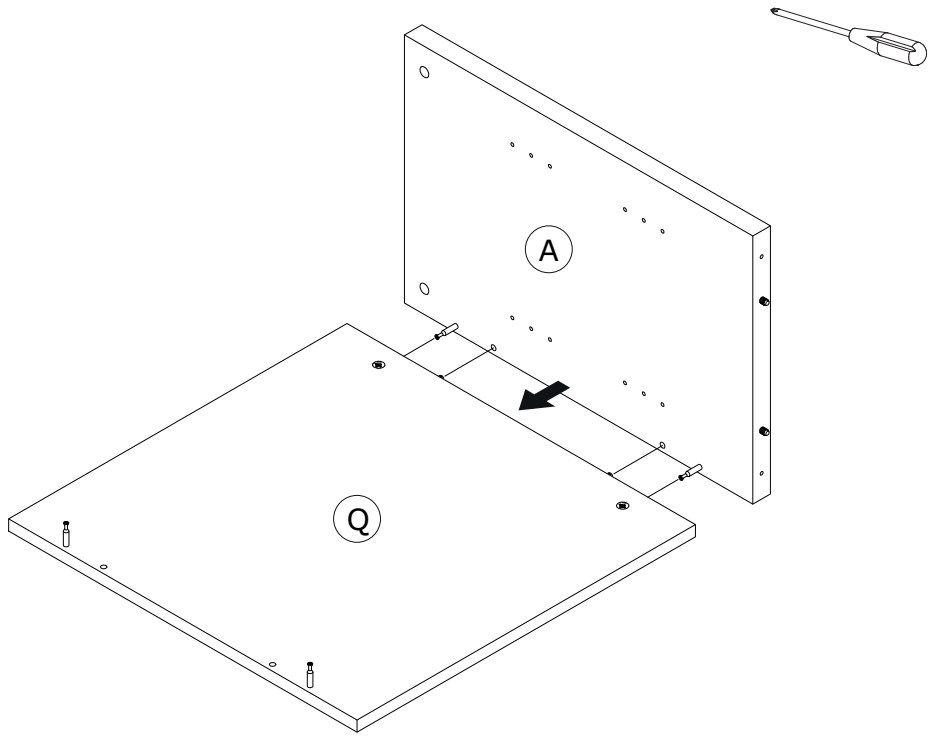
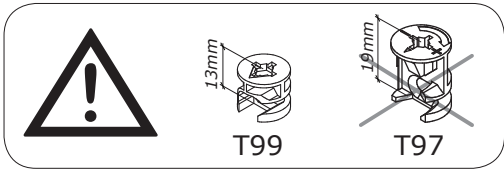
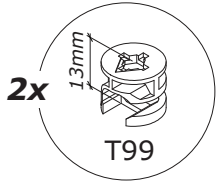
9



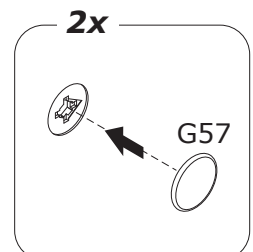
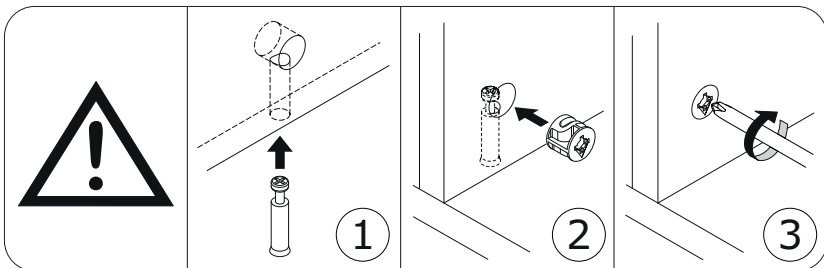
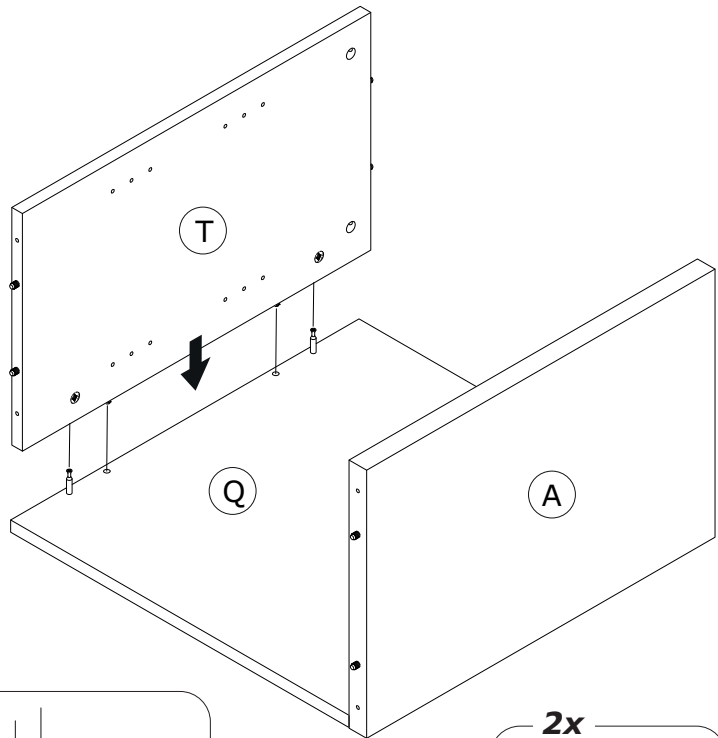
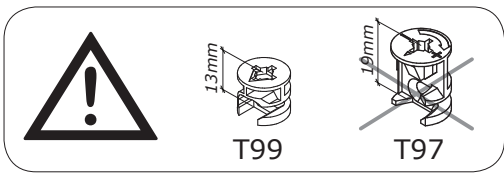
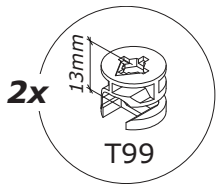
10



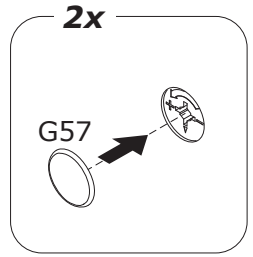
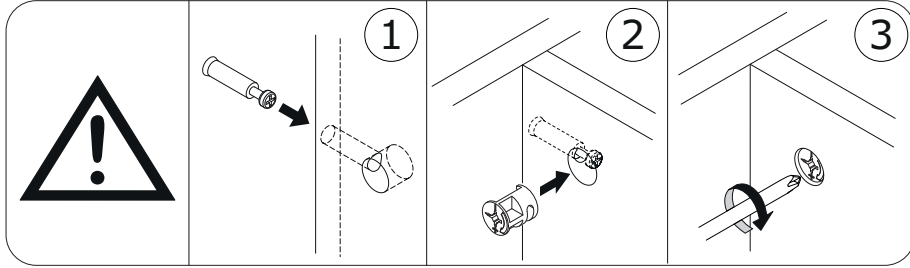
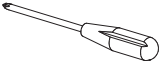
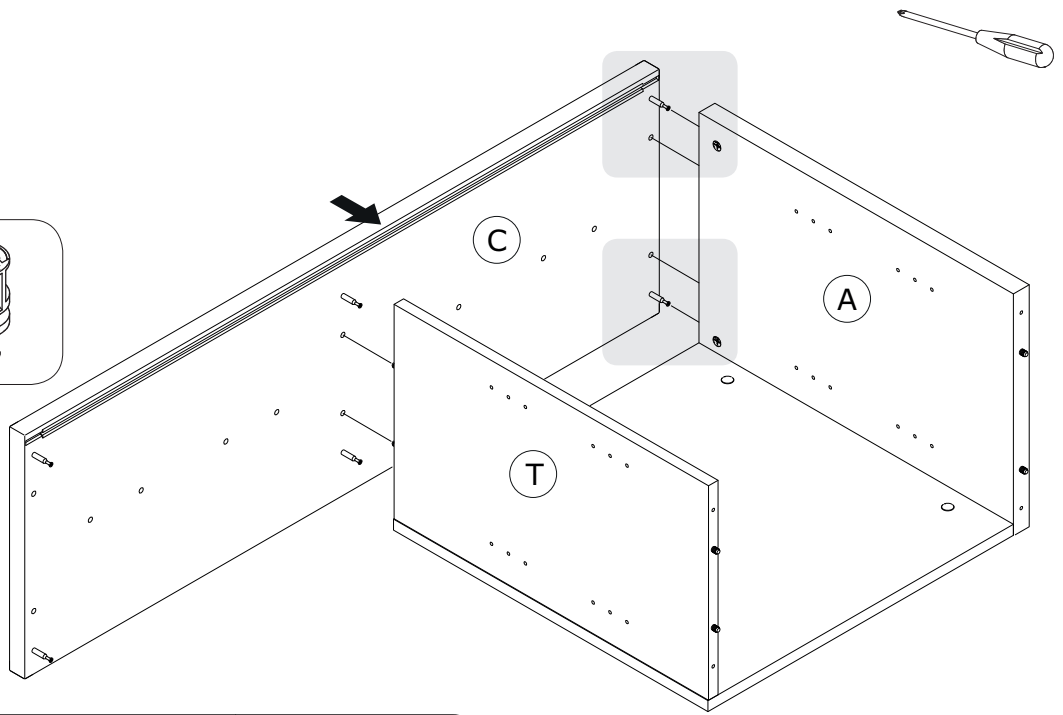
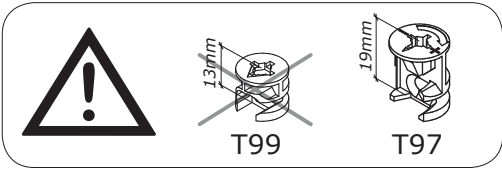
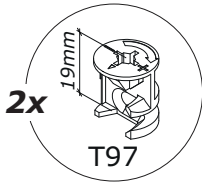
11



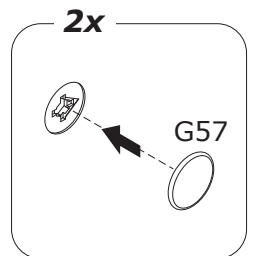
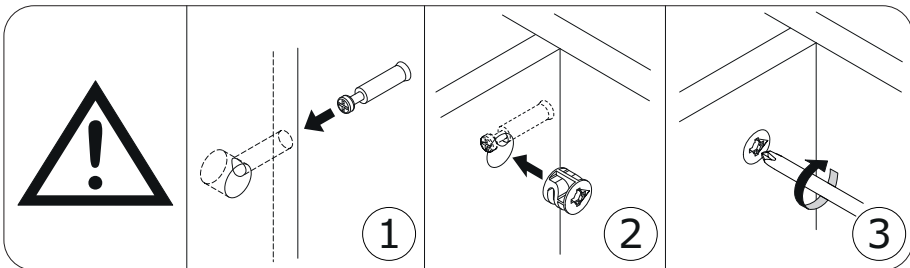
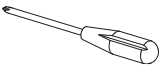
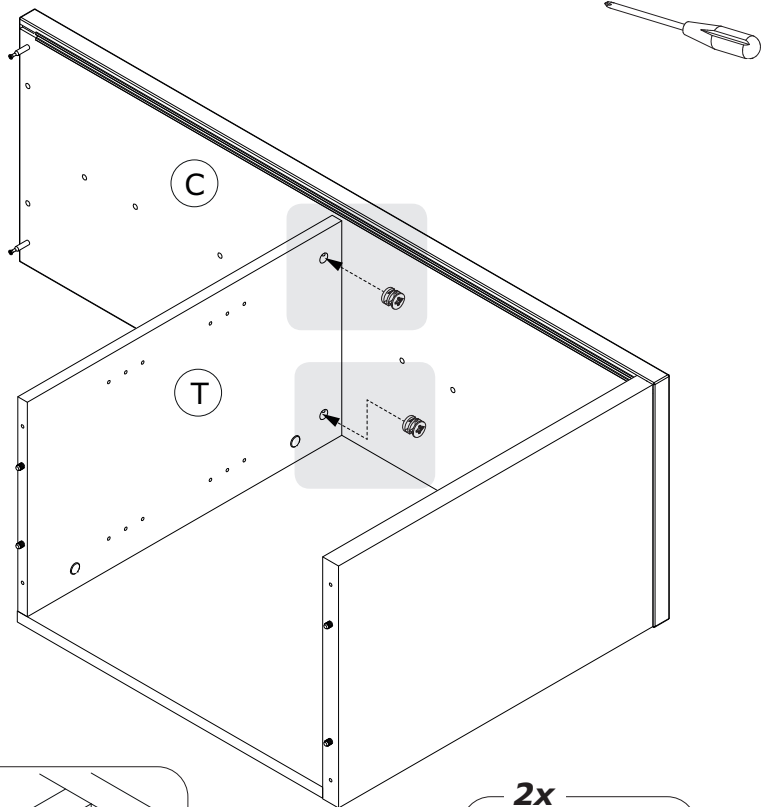
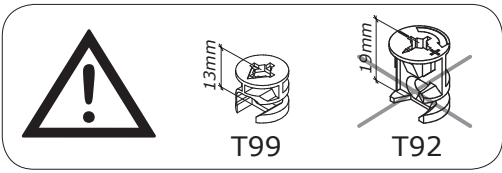
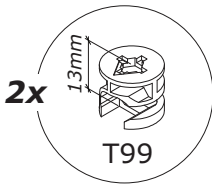
12



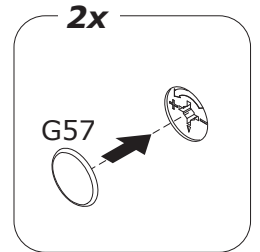
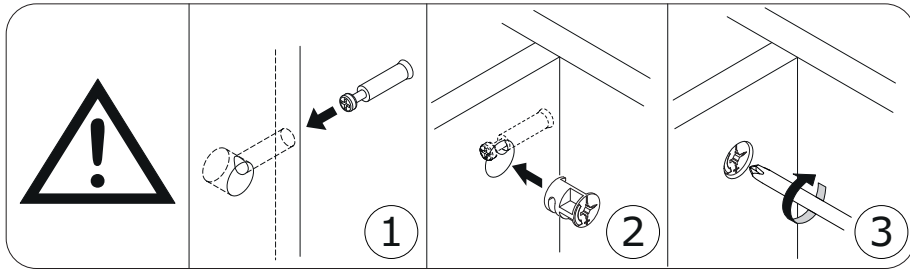
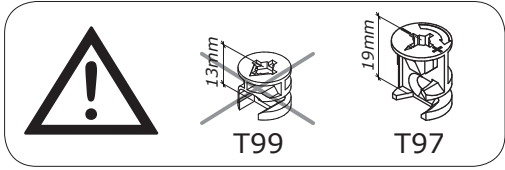
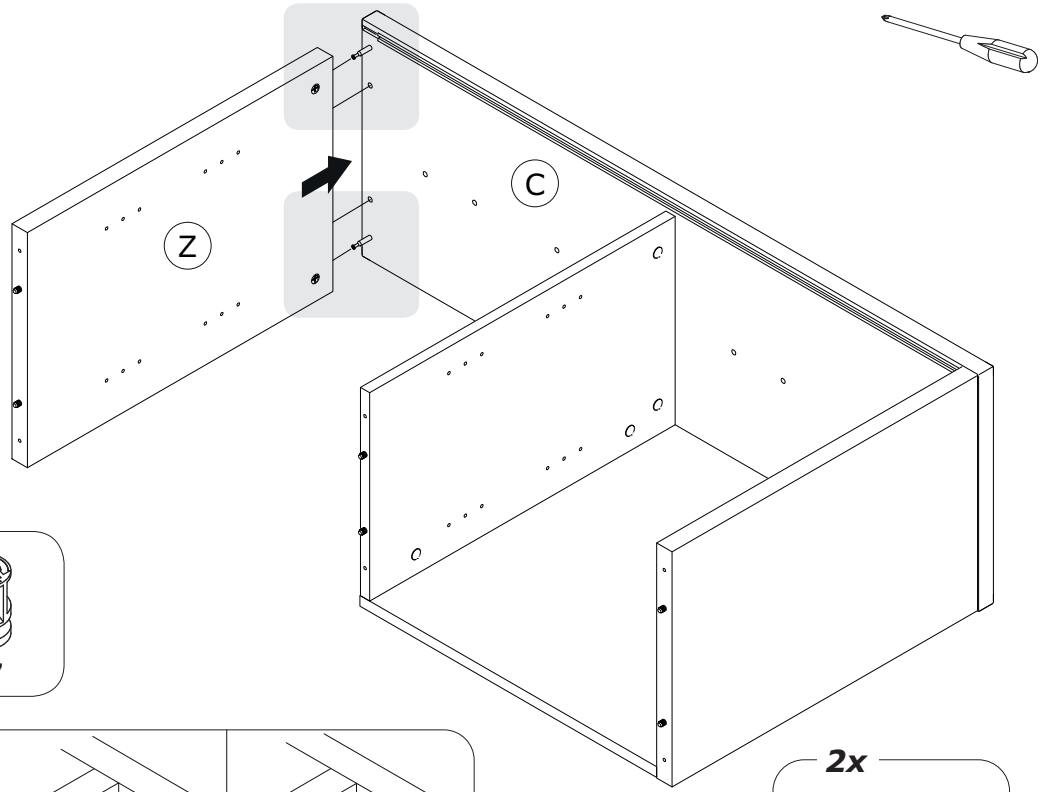
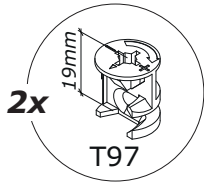
13



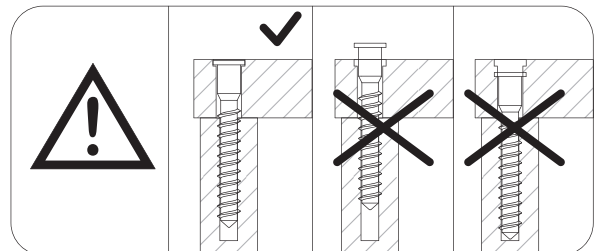
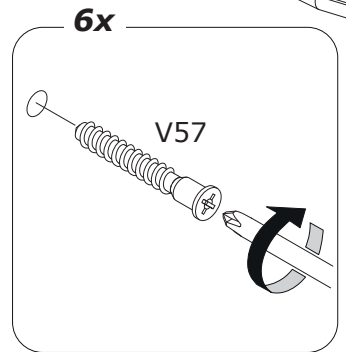
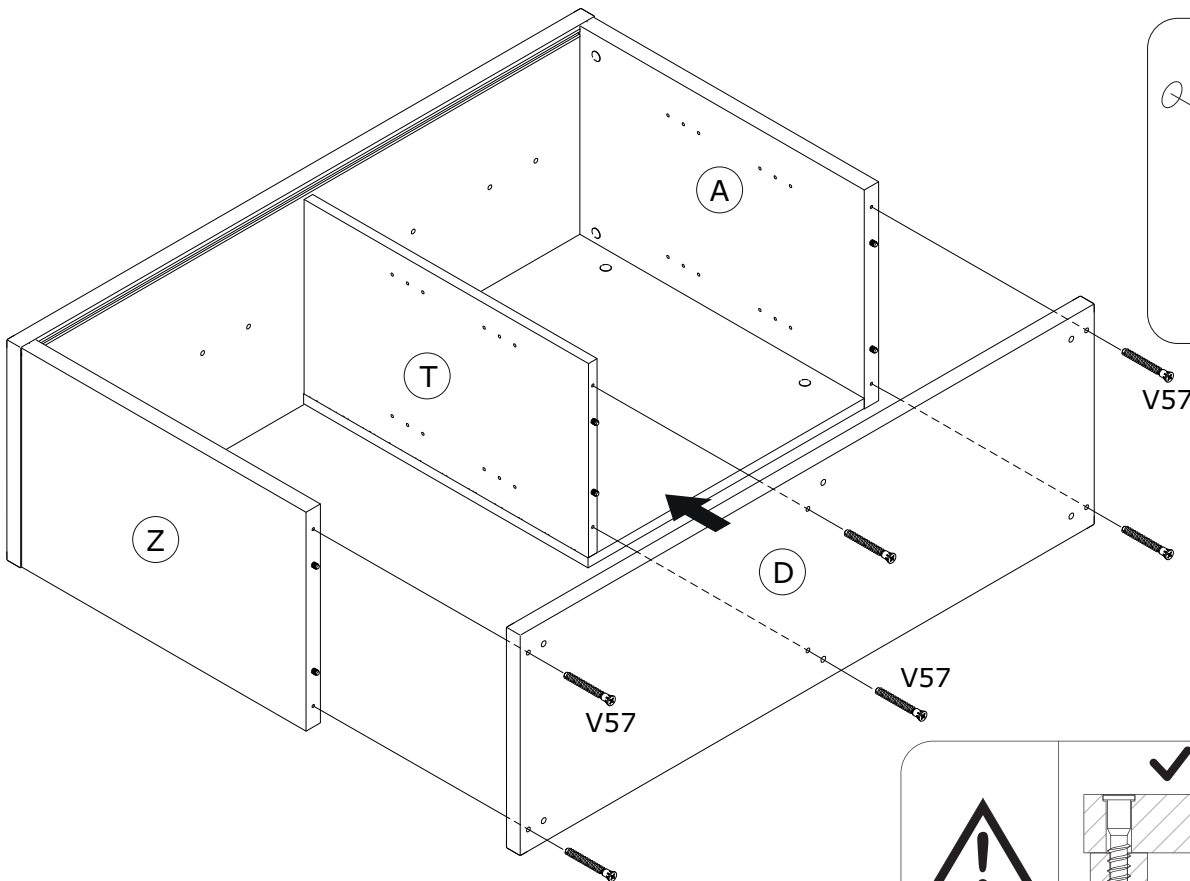
14



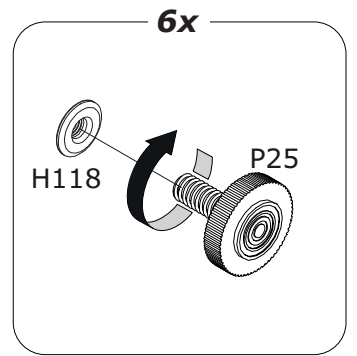
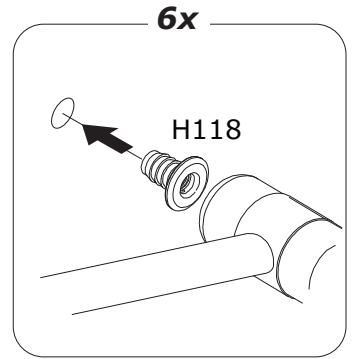
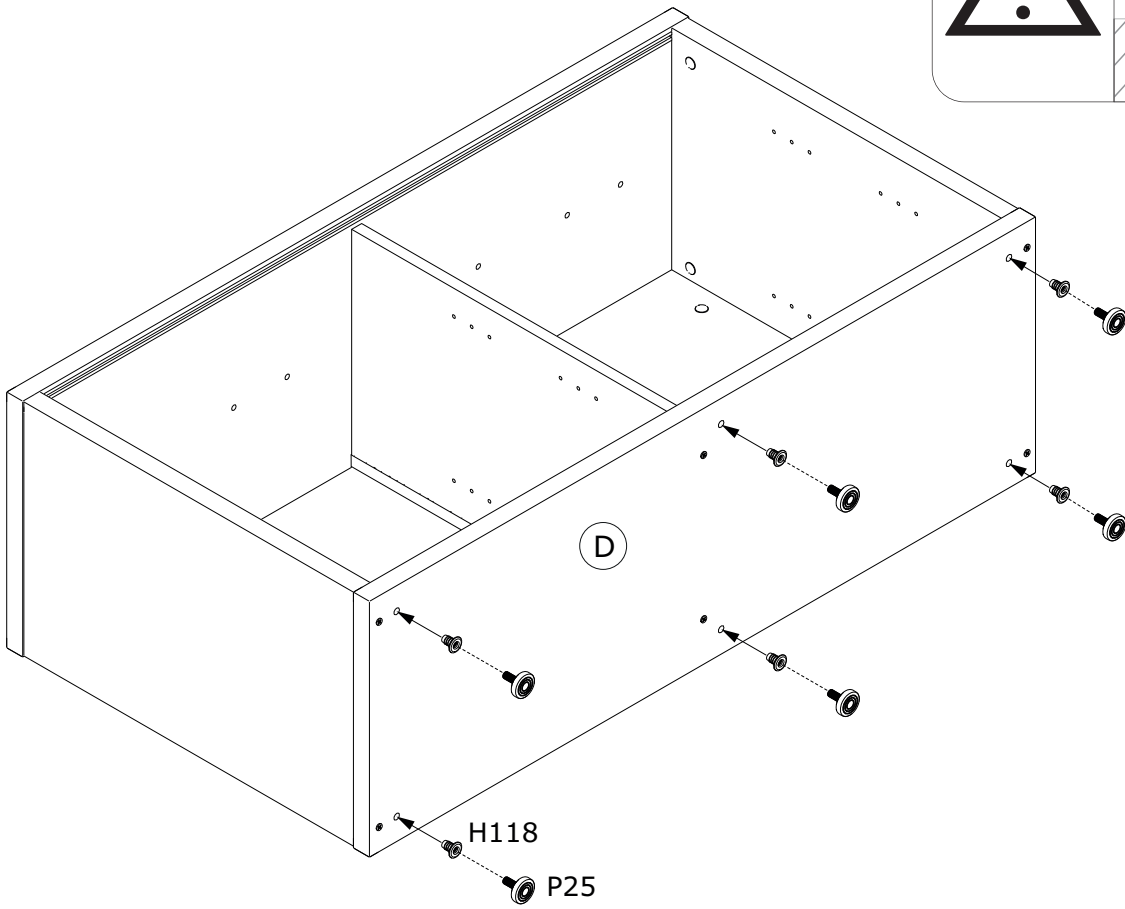
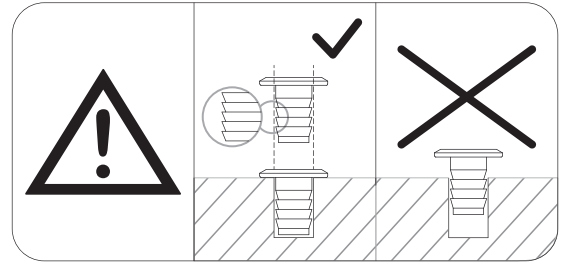
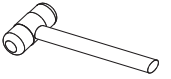
15



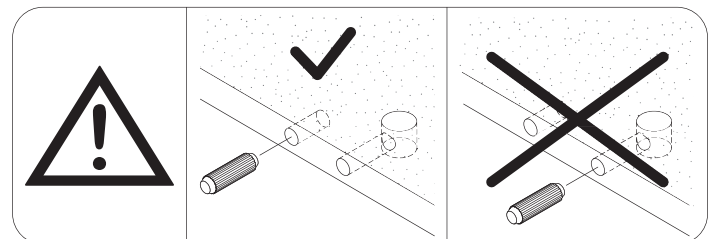
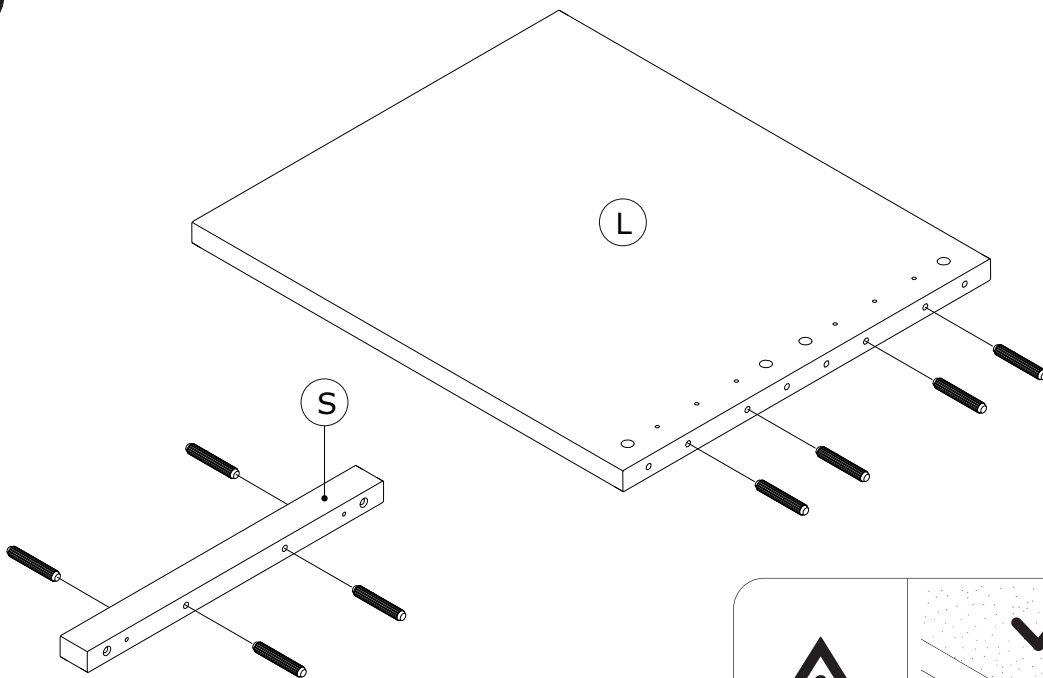
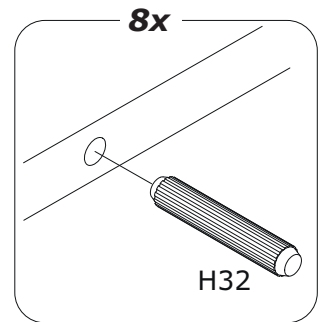
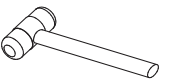
16



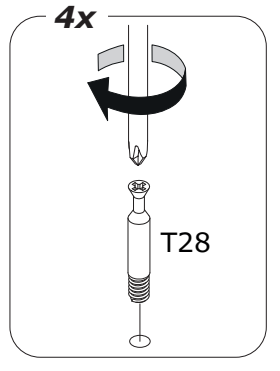
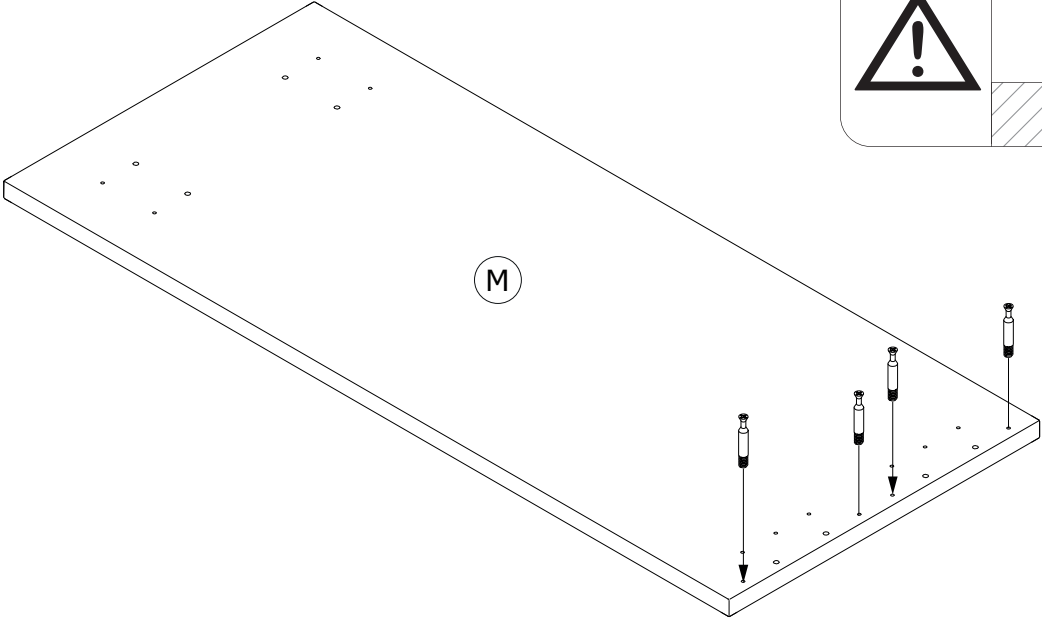
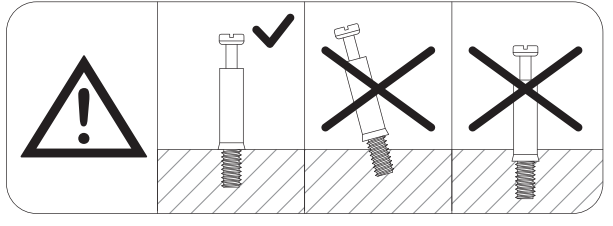
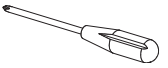
17



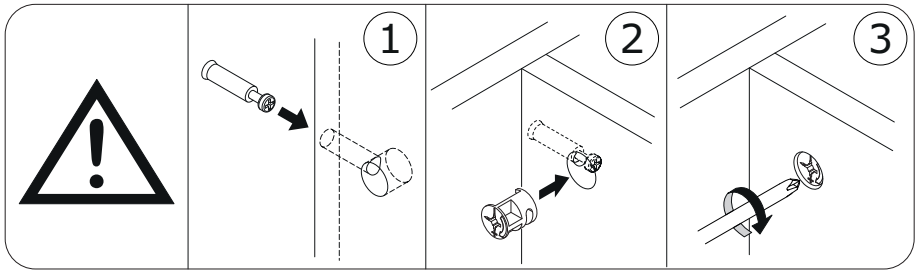
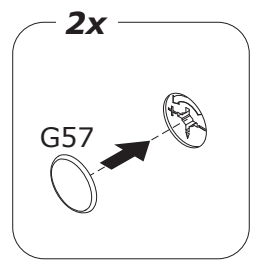
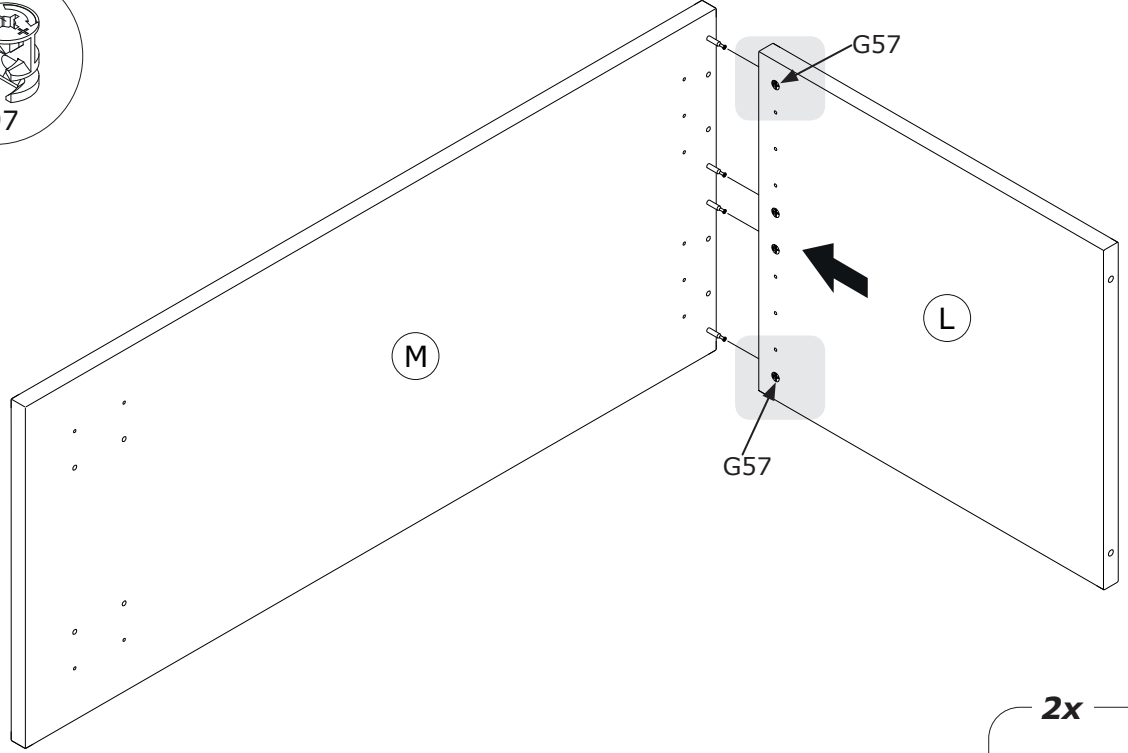
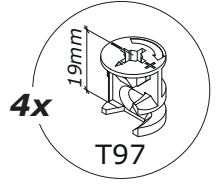
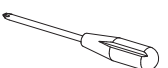
18



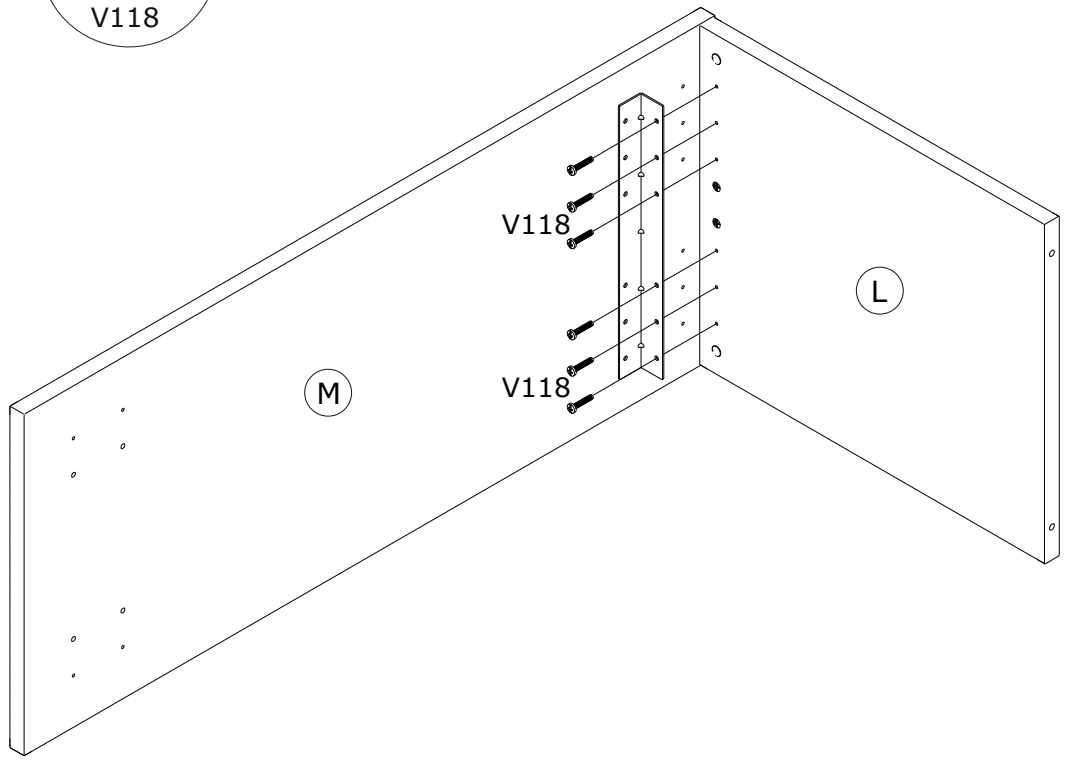
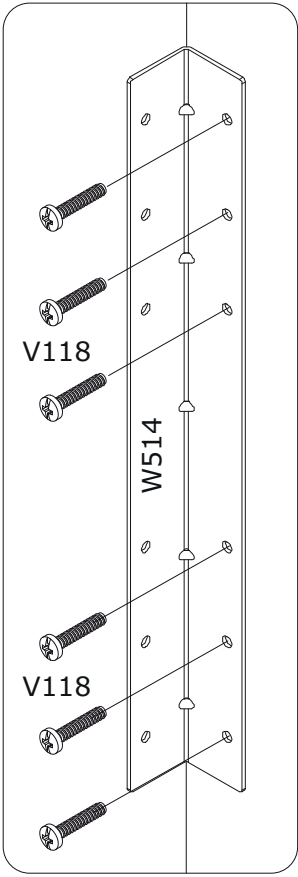
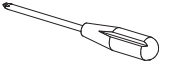
19



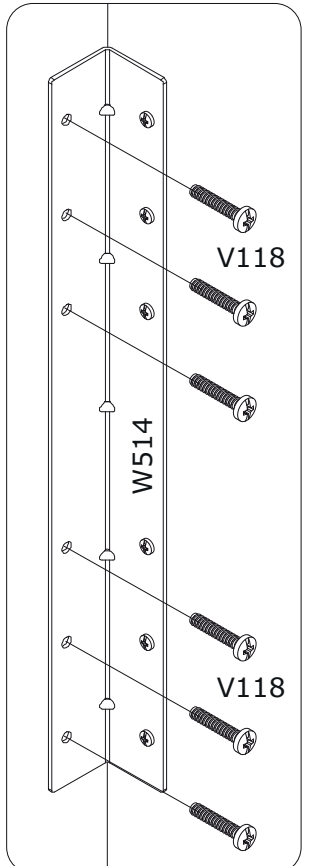
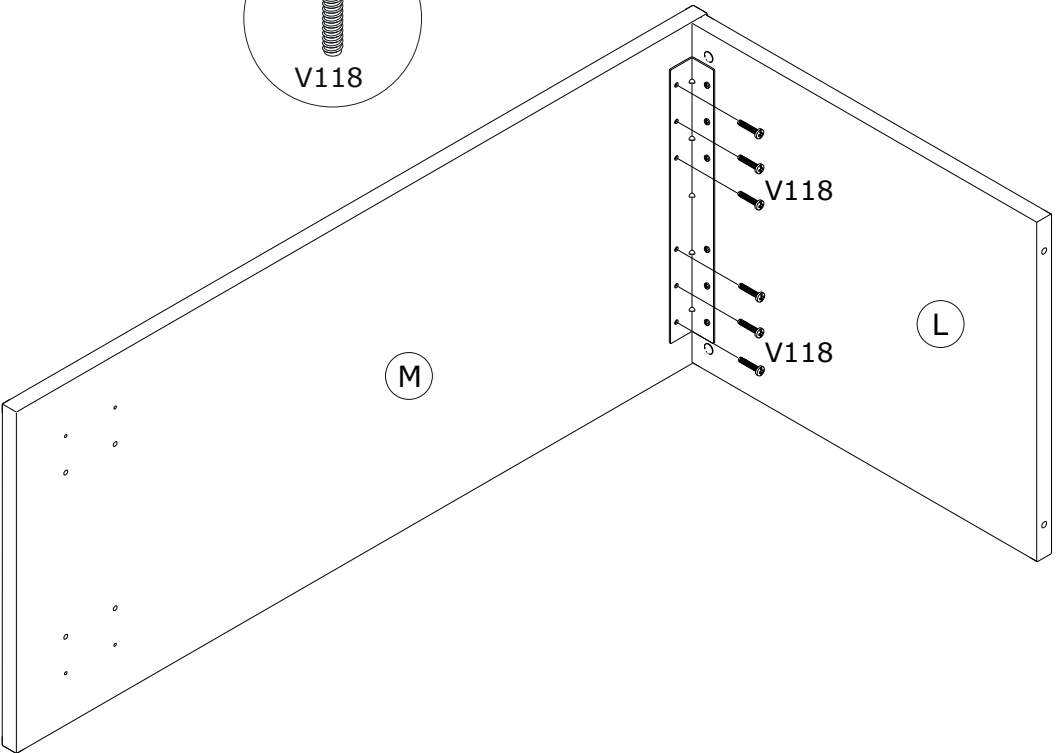
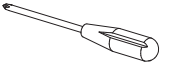
20

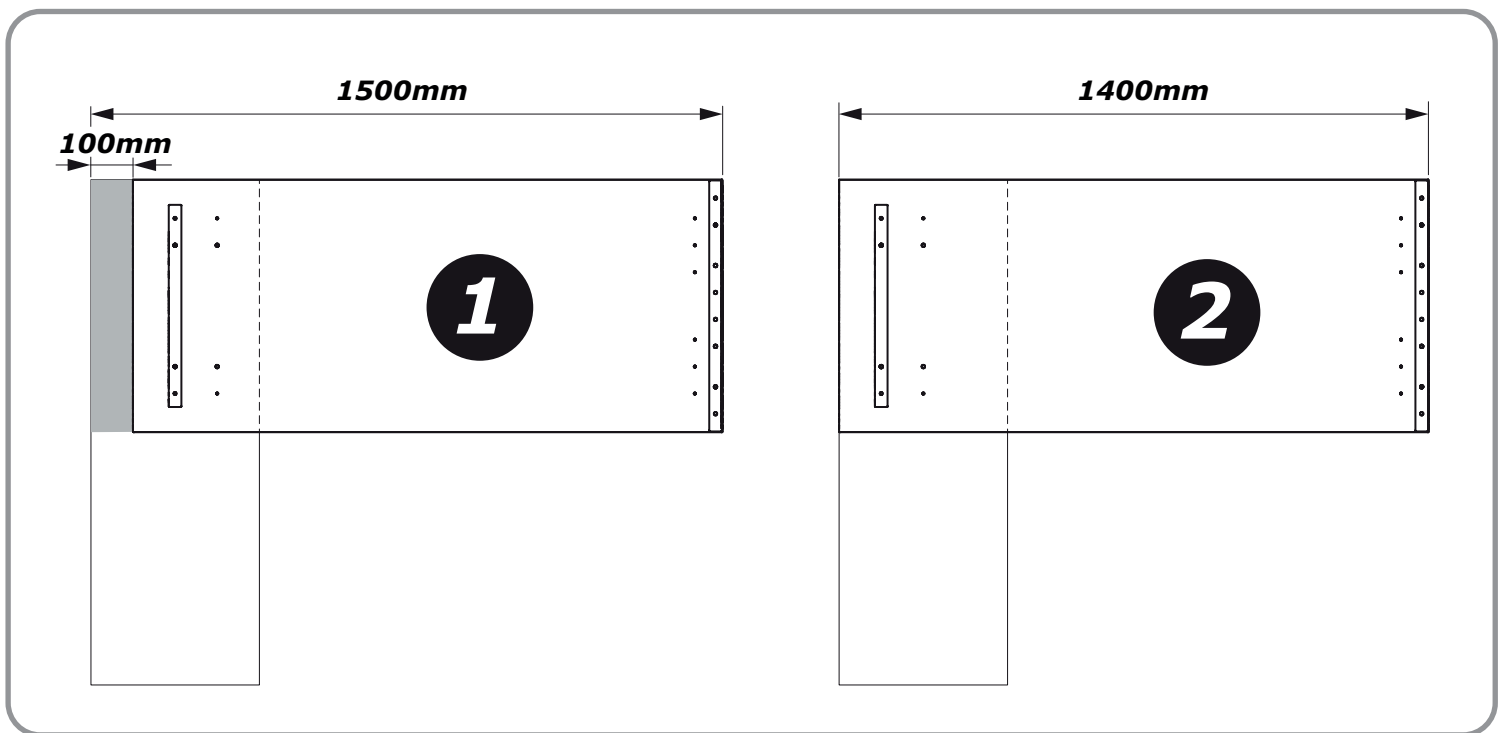
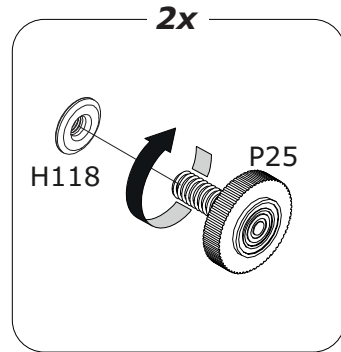
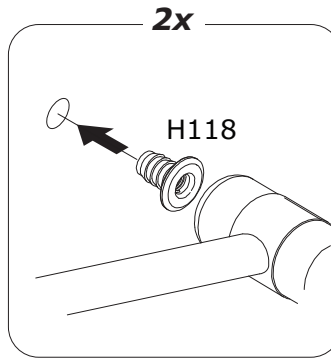
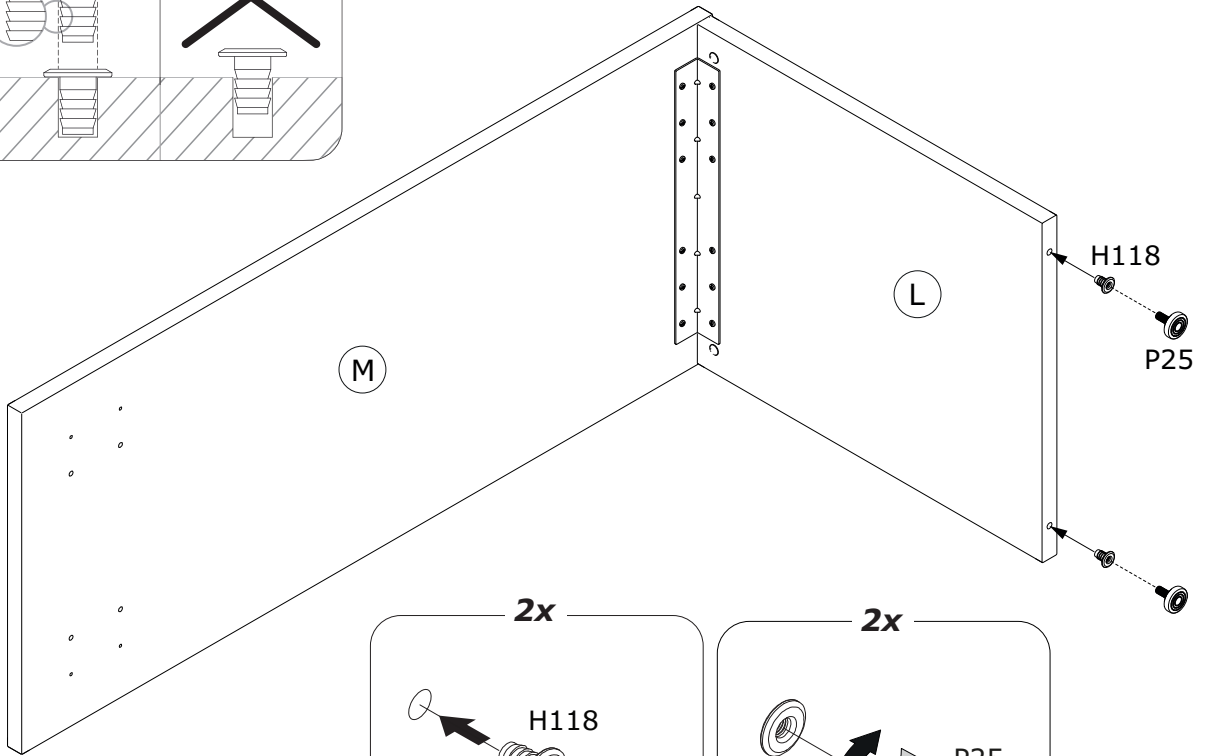
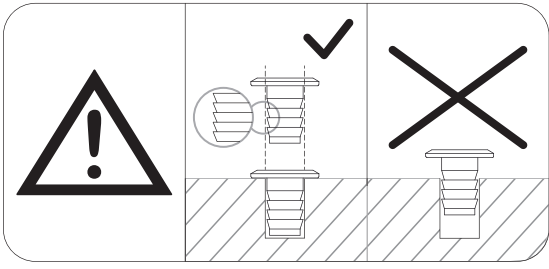
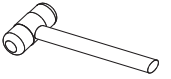


21

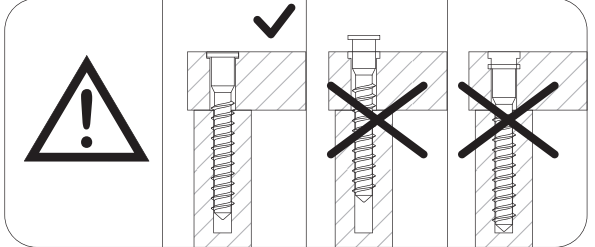
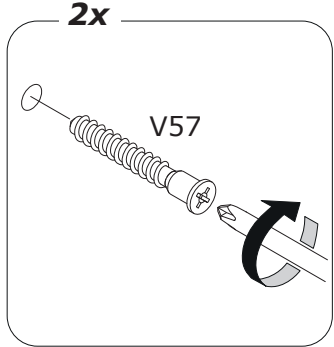
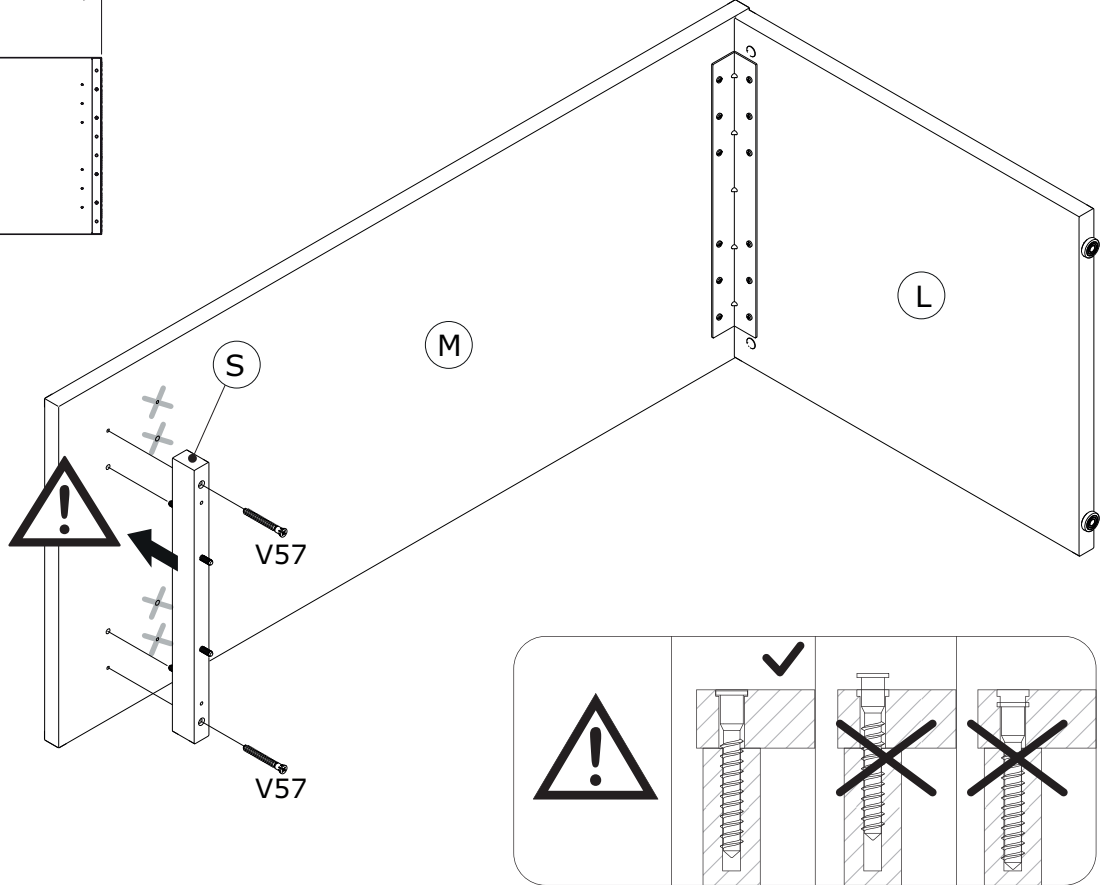
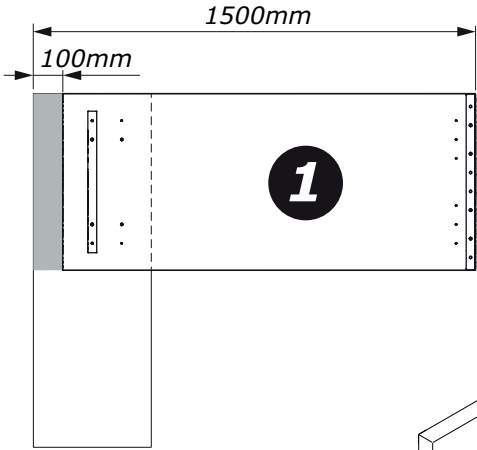
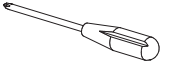


22

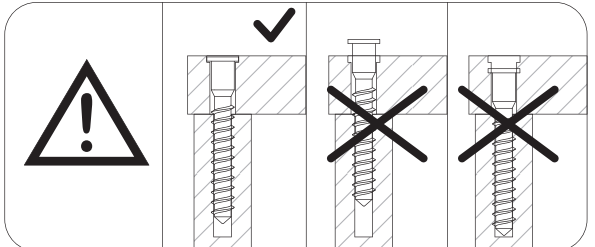
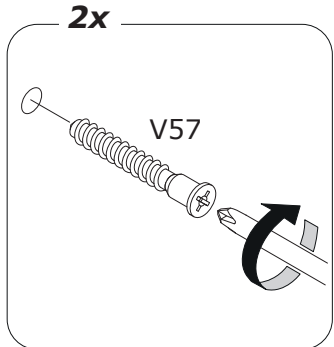
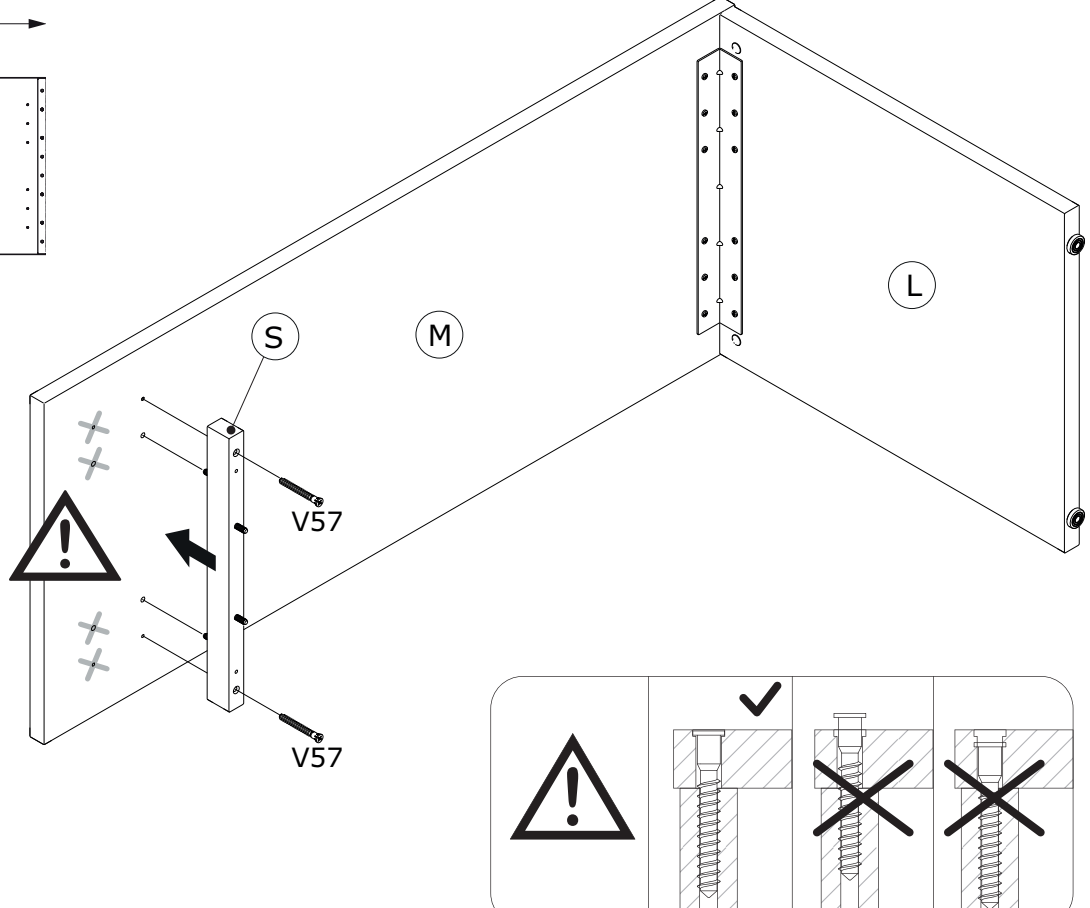
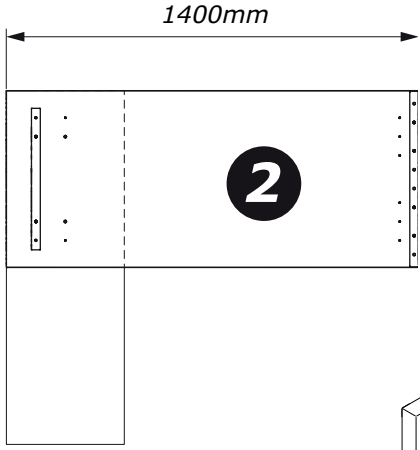
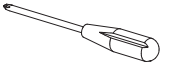




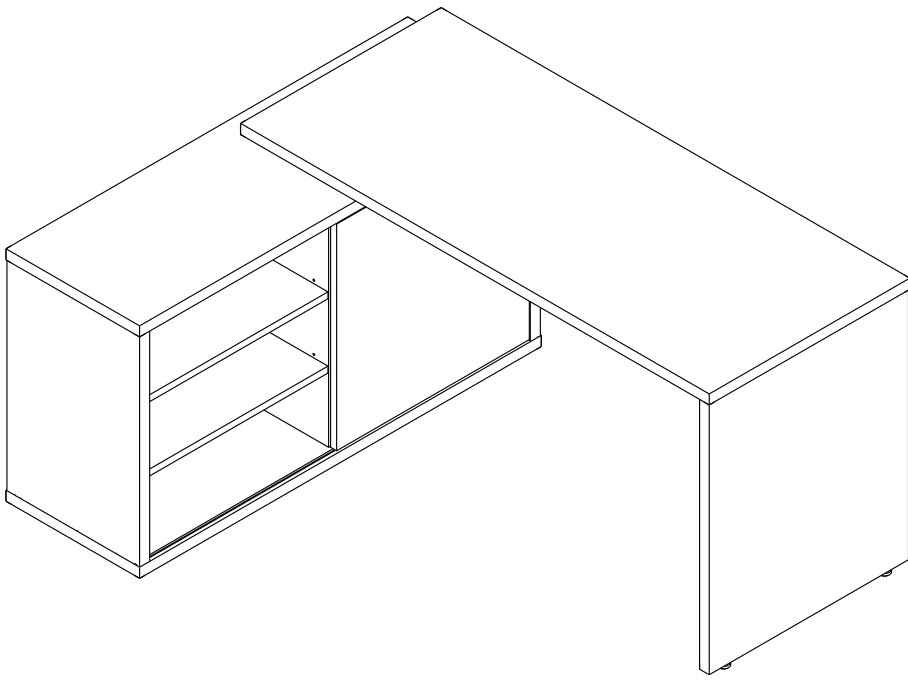
24



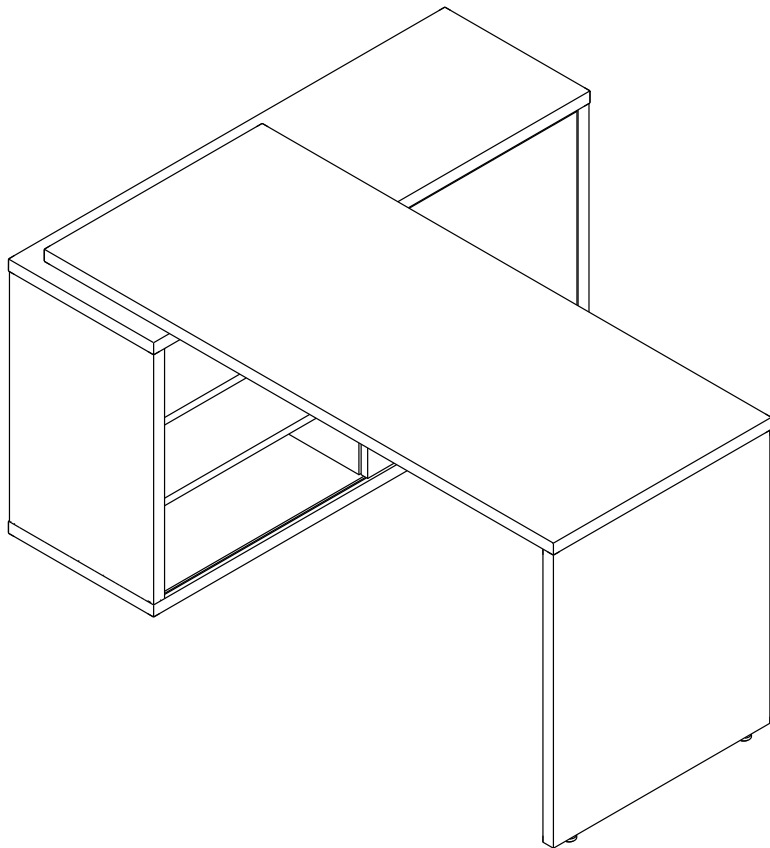
24



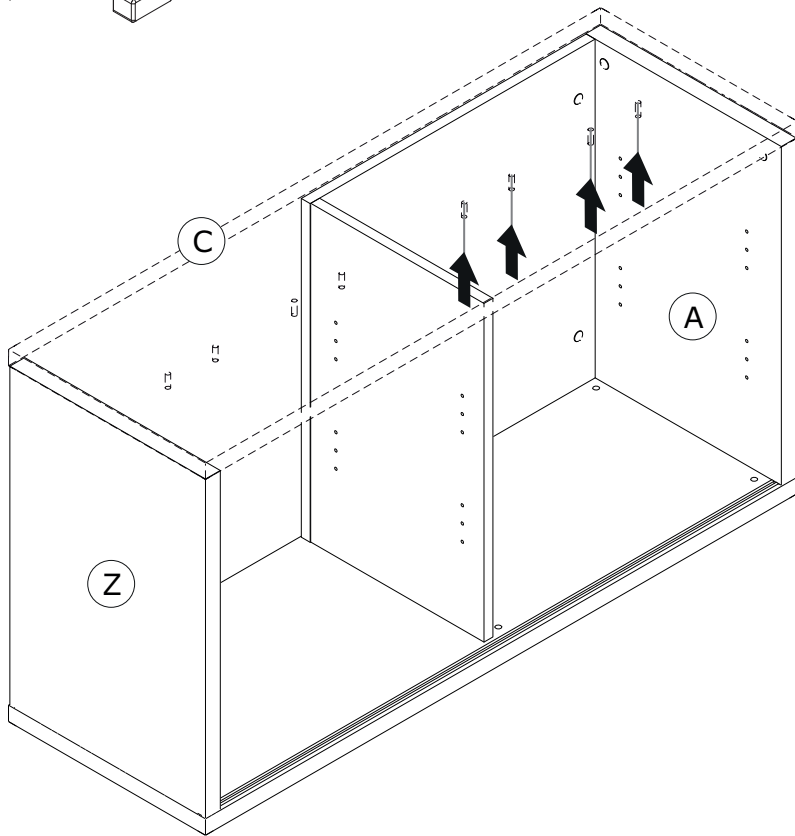
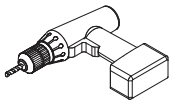
A



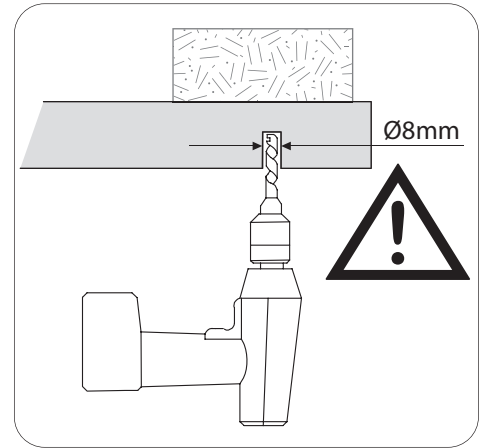
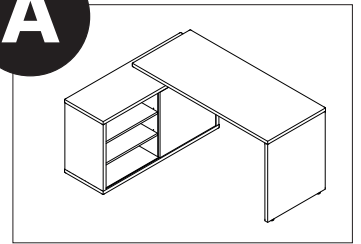
B



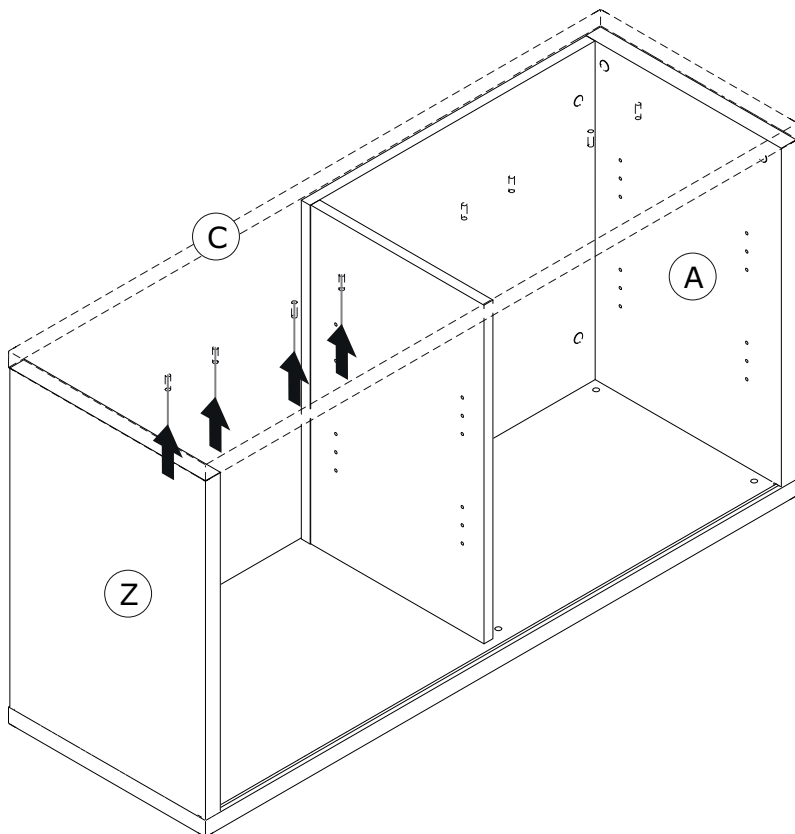
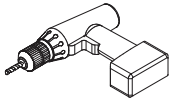
25



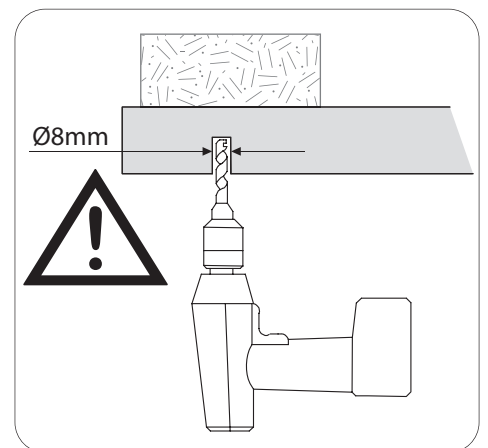
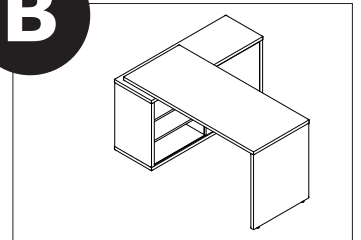
A



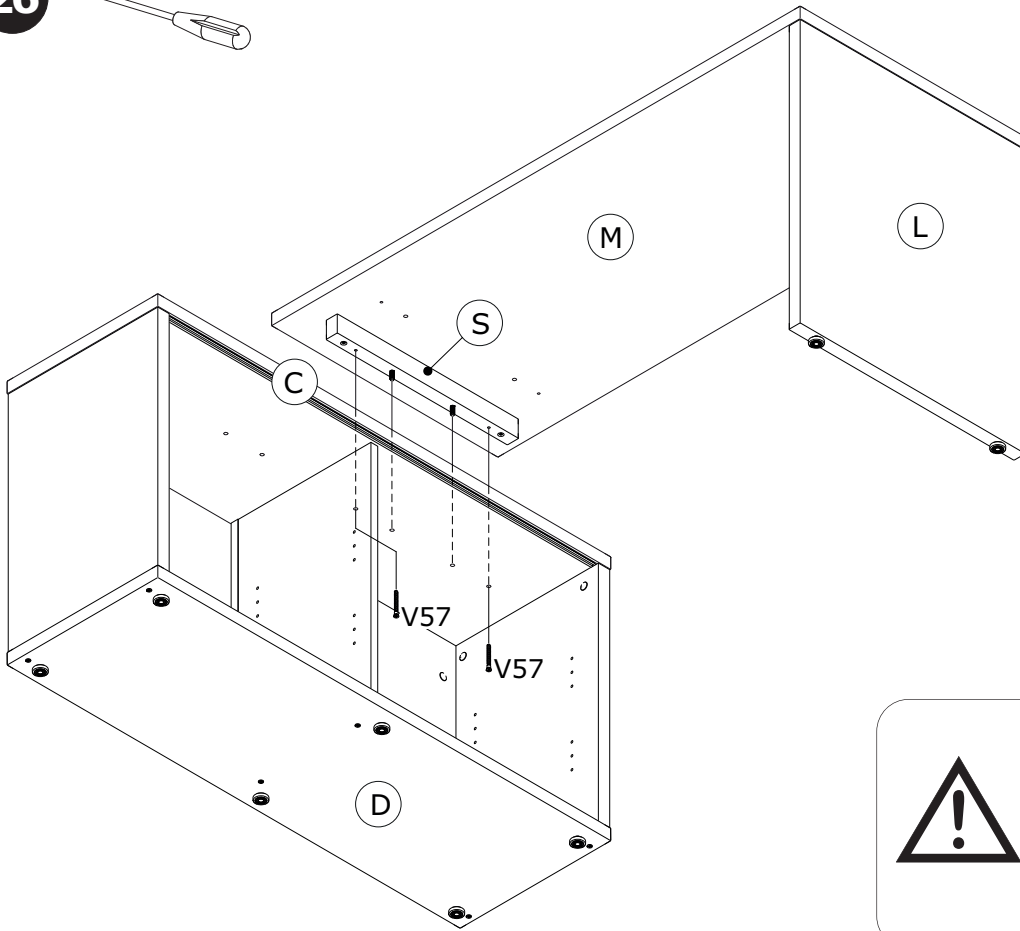
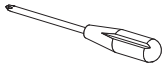
25



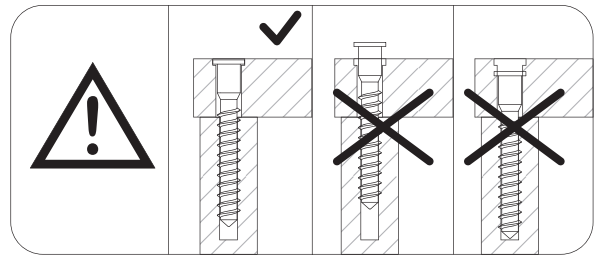
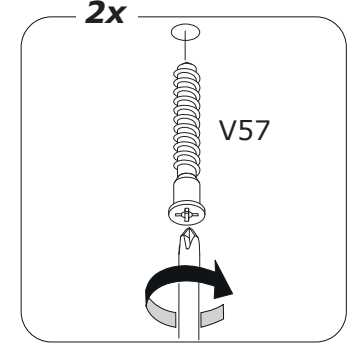
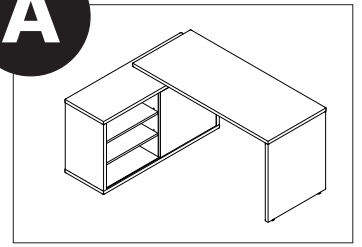
B



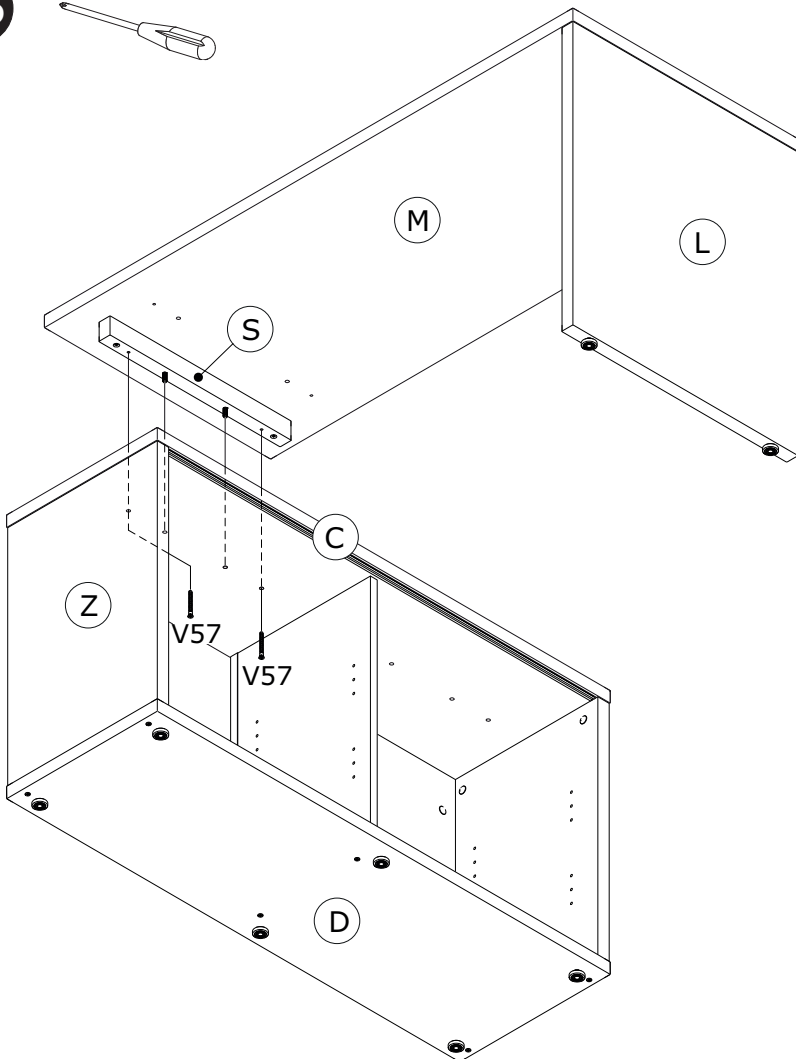
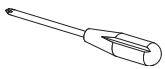
26



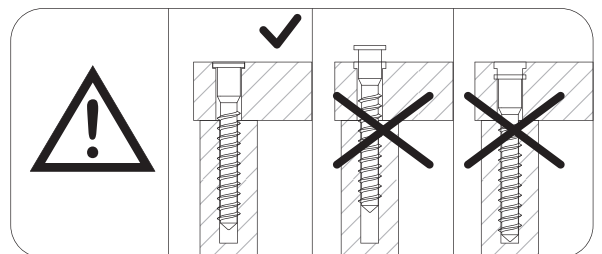
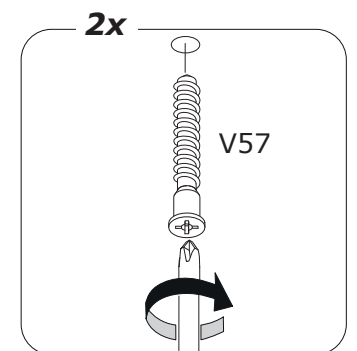
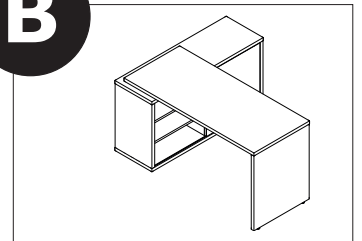
A



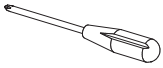
26



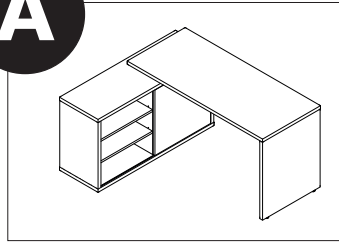
B



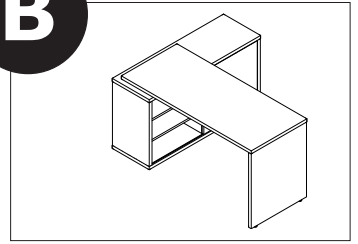
27



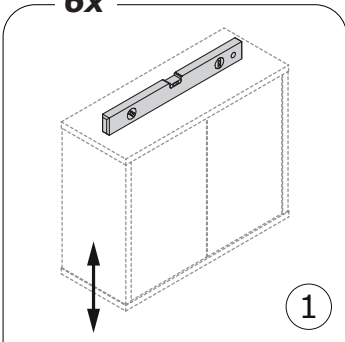
A



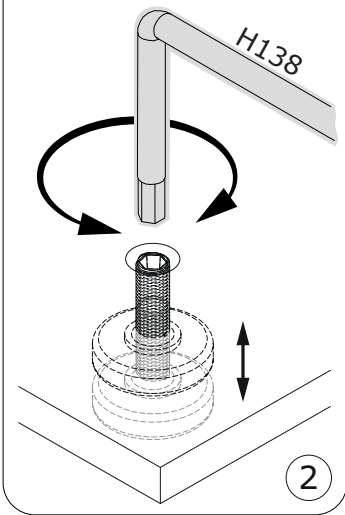
B



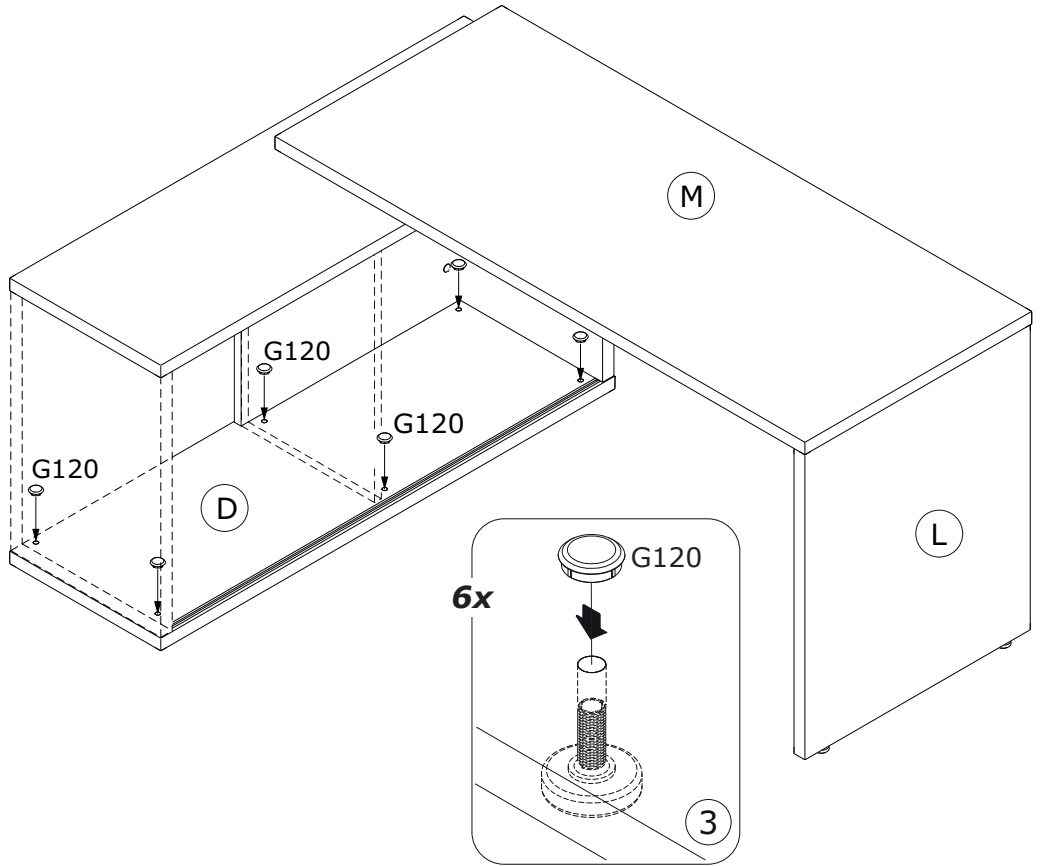
6x



1



2



6x

M

G120

G120

G120

D

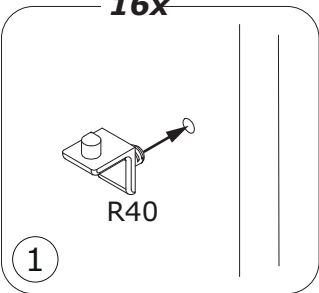
L

G120

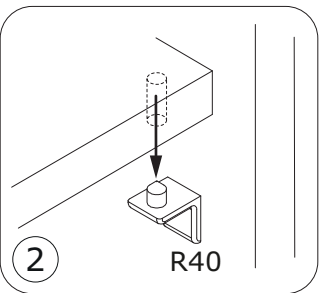
3



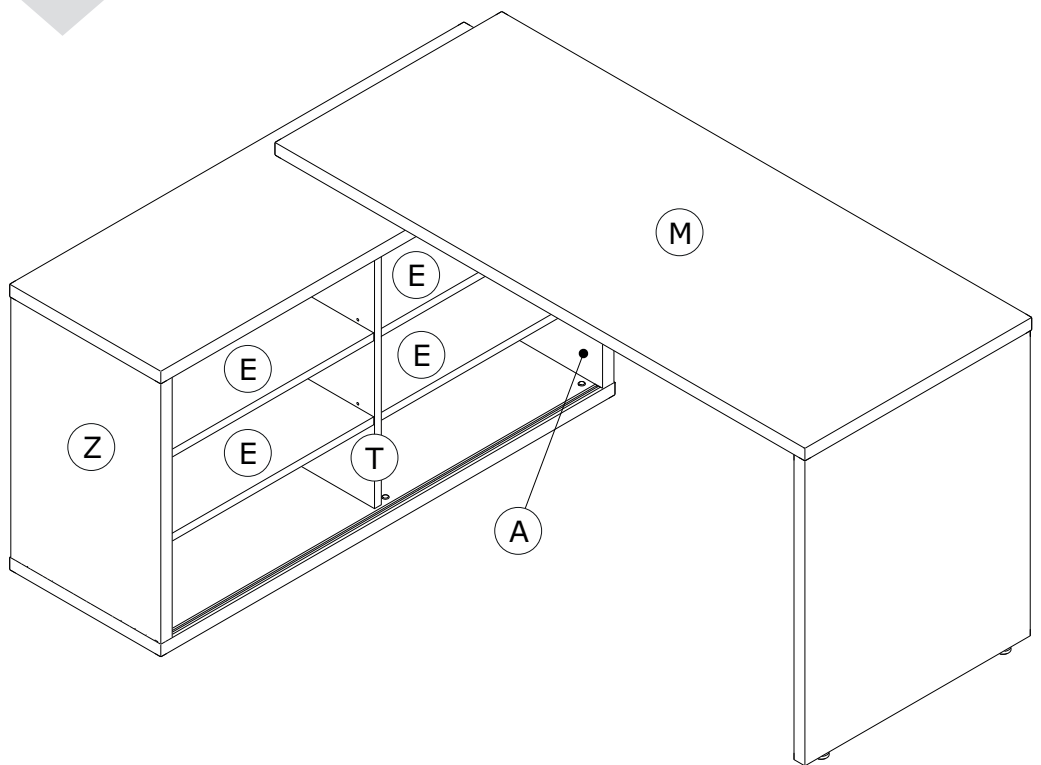
16x



1



2



M

E

E

E

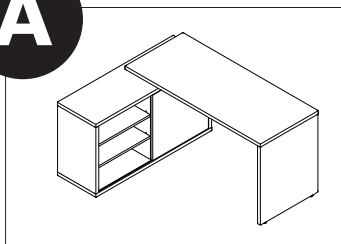
E

Z

T

A

A



B

