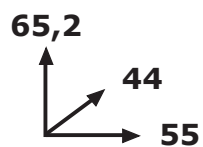
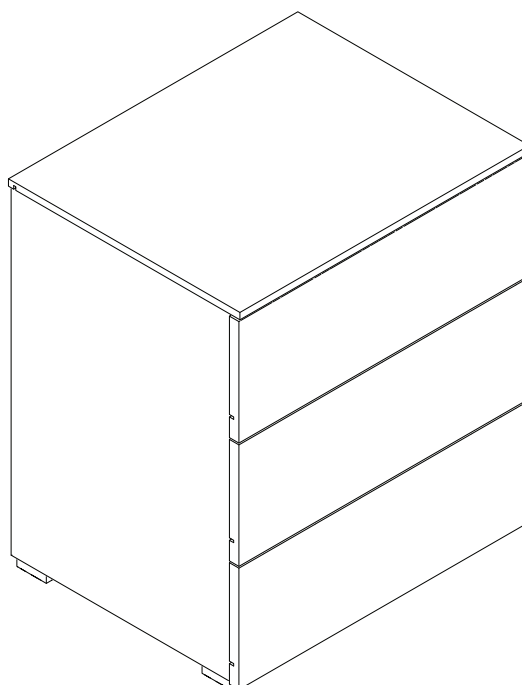
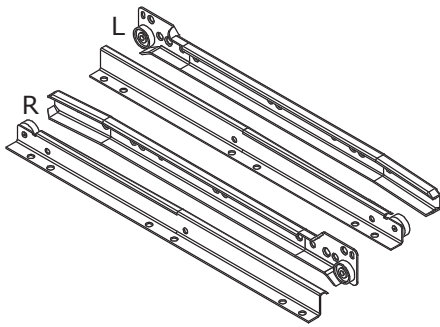
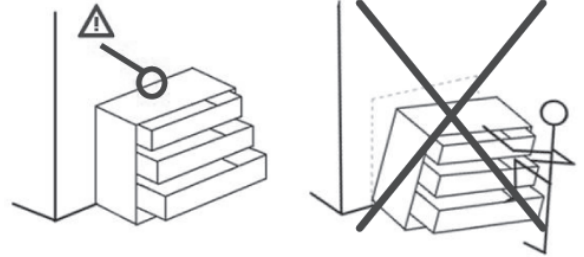
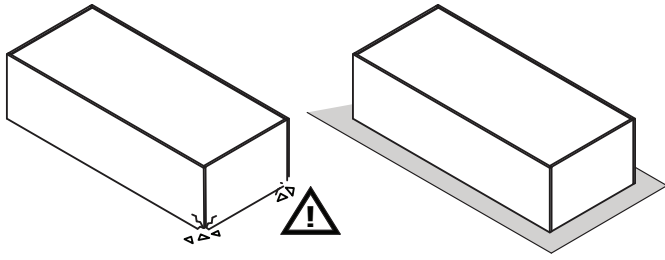
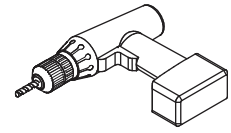
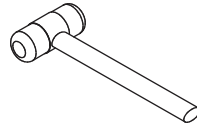
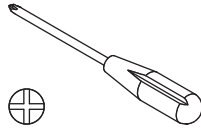
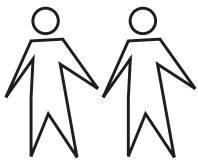


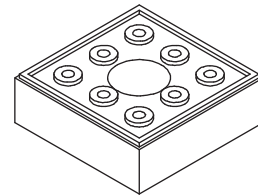
CT7195K30405



QF4456-2

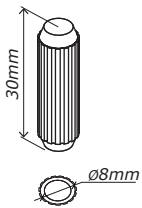


A12
x3

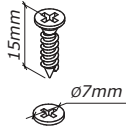


P45
x4

BU3387



H1
x8



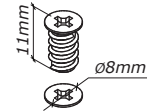
V5
x22



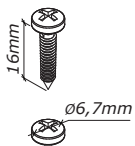
H2
x10



H14
x1



V13
x12



V109
x8



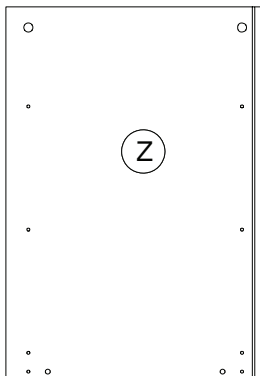
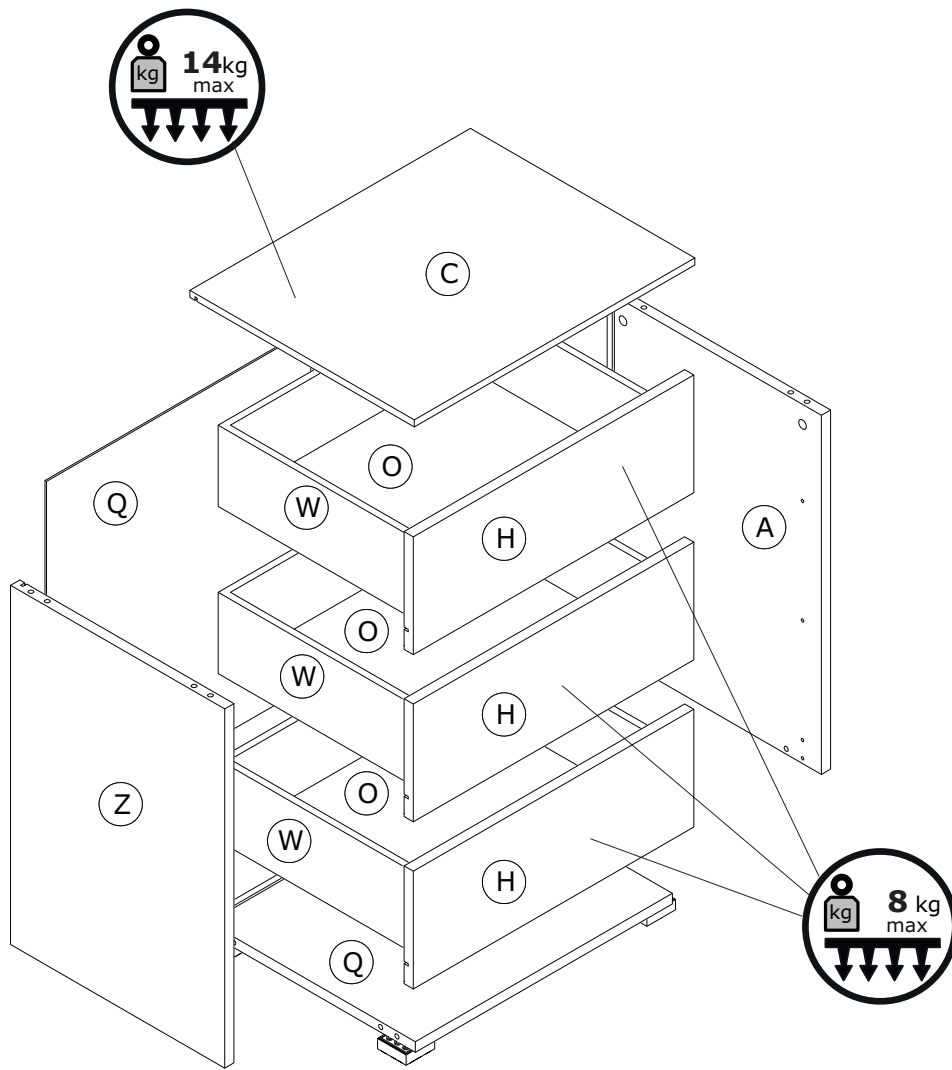
T83
x8



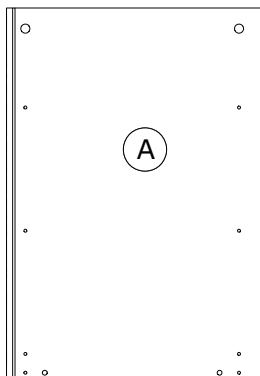
T99
x8



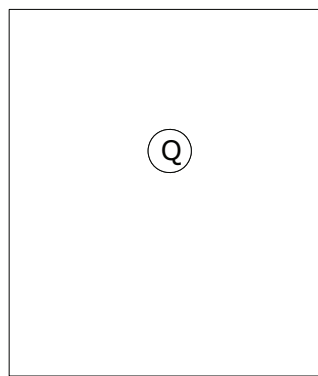
H113
x6



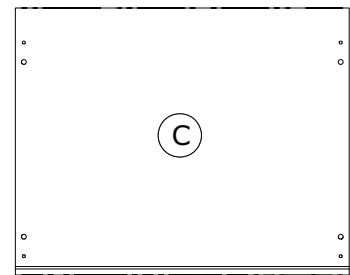
FI7527
610x420x18mm



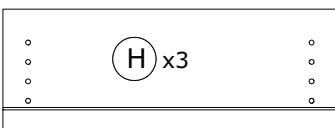
FI7525
610x420x18mm



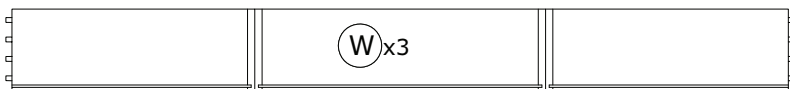
SH2841
604x518x3mm



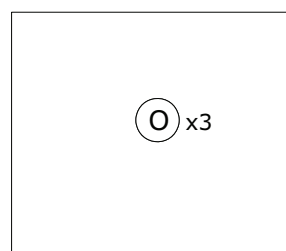
CA2731
550x440x12mm



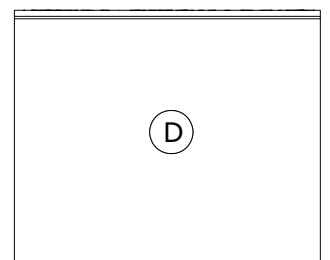
CS2166
550x200x18mm



OF0682
400x479x400mm H.138mm

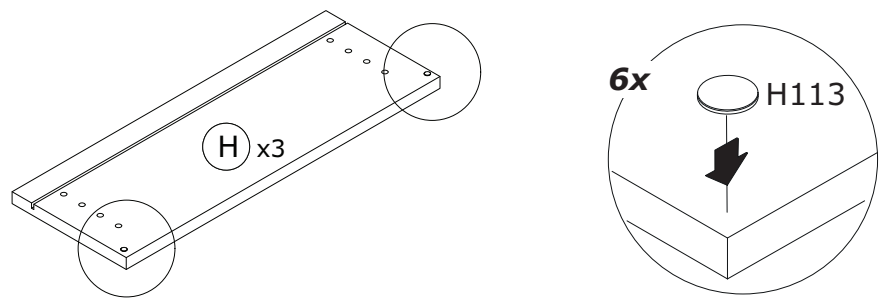


SH3220
466x401x2mm

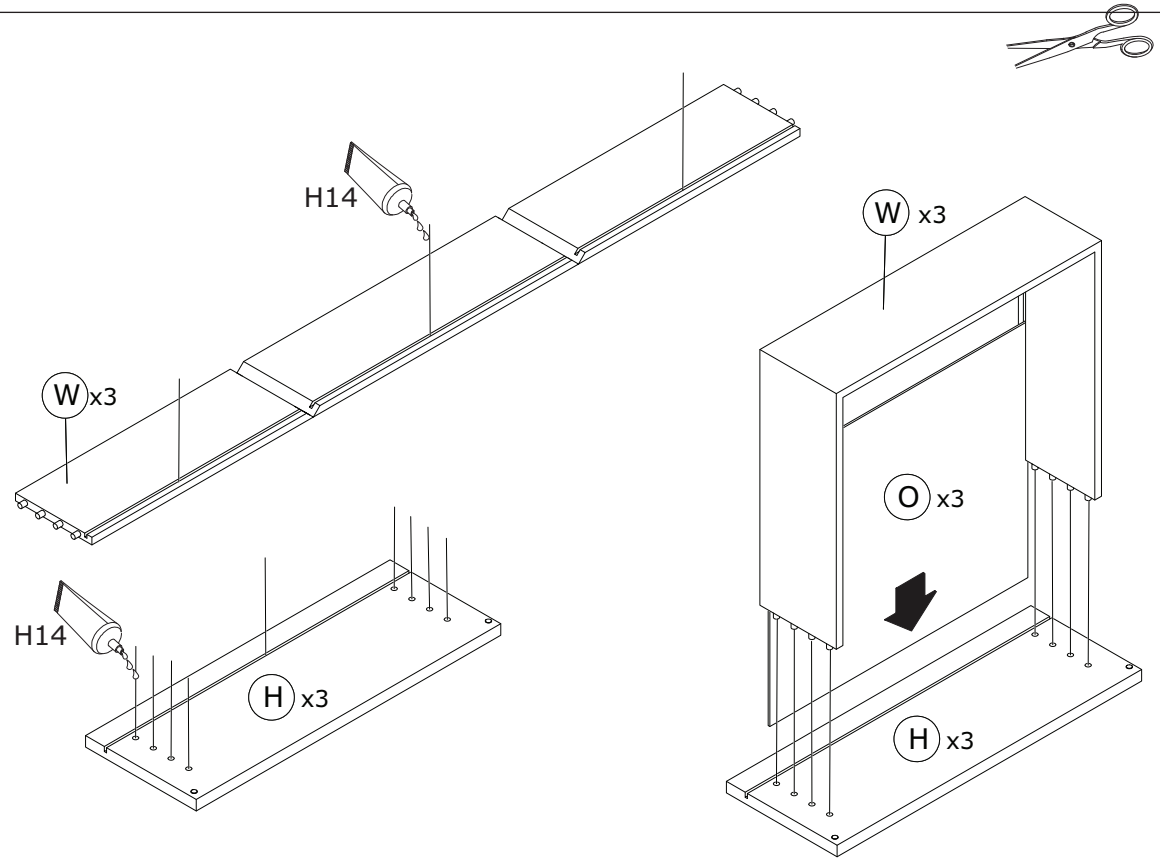
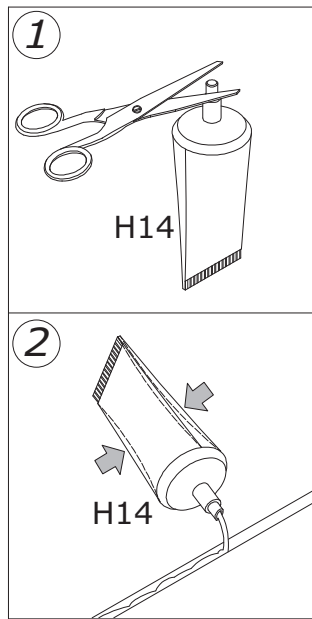


PI5858
504x419x18mm

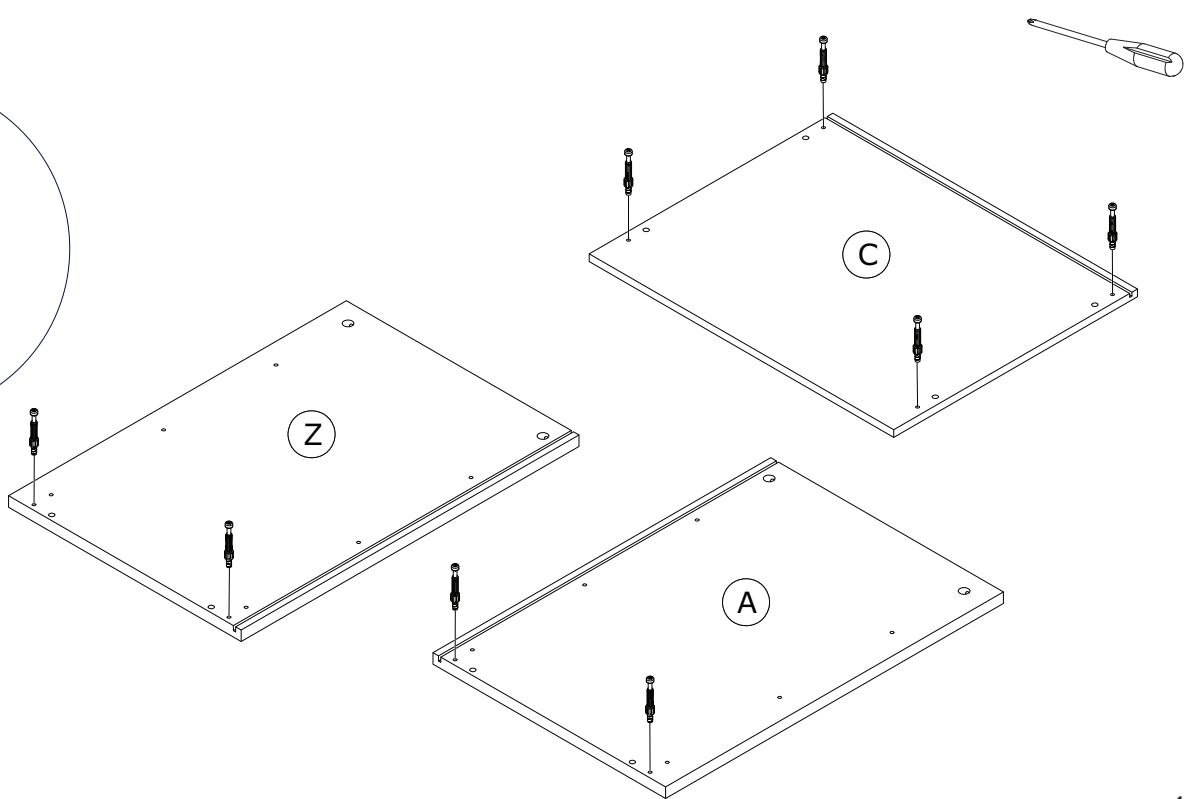
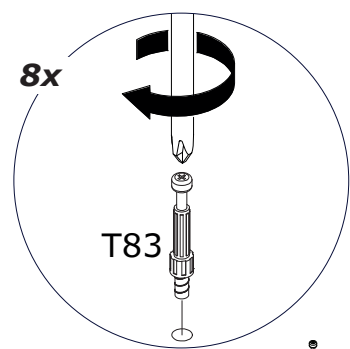
1



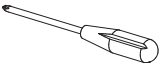
2



3



4



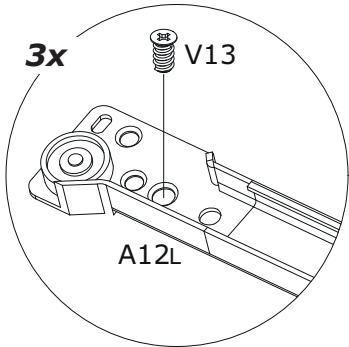
12x



V13

3x

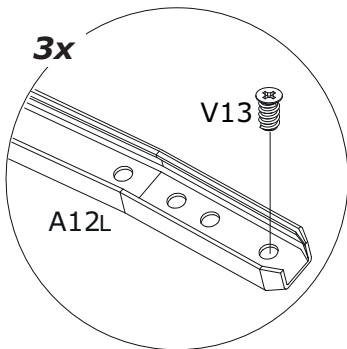
V13



A12L

3x

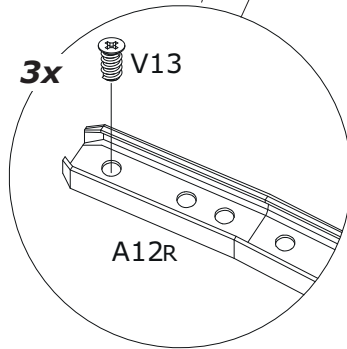
V13



A12L

3x

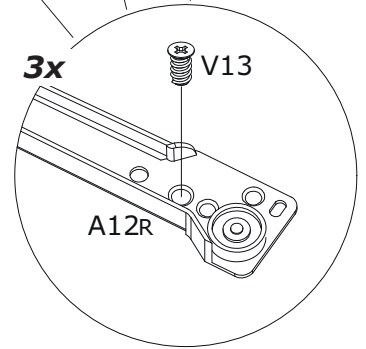
V13



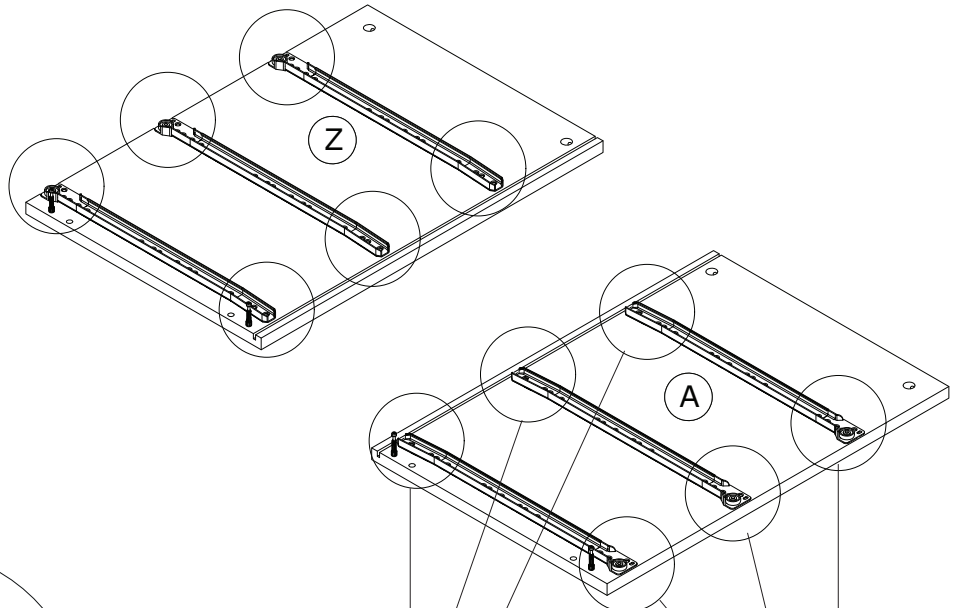
A12R

3x

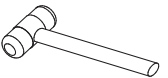
V13



A12R

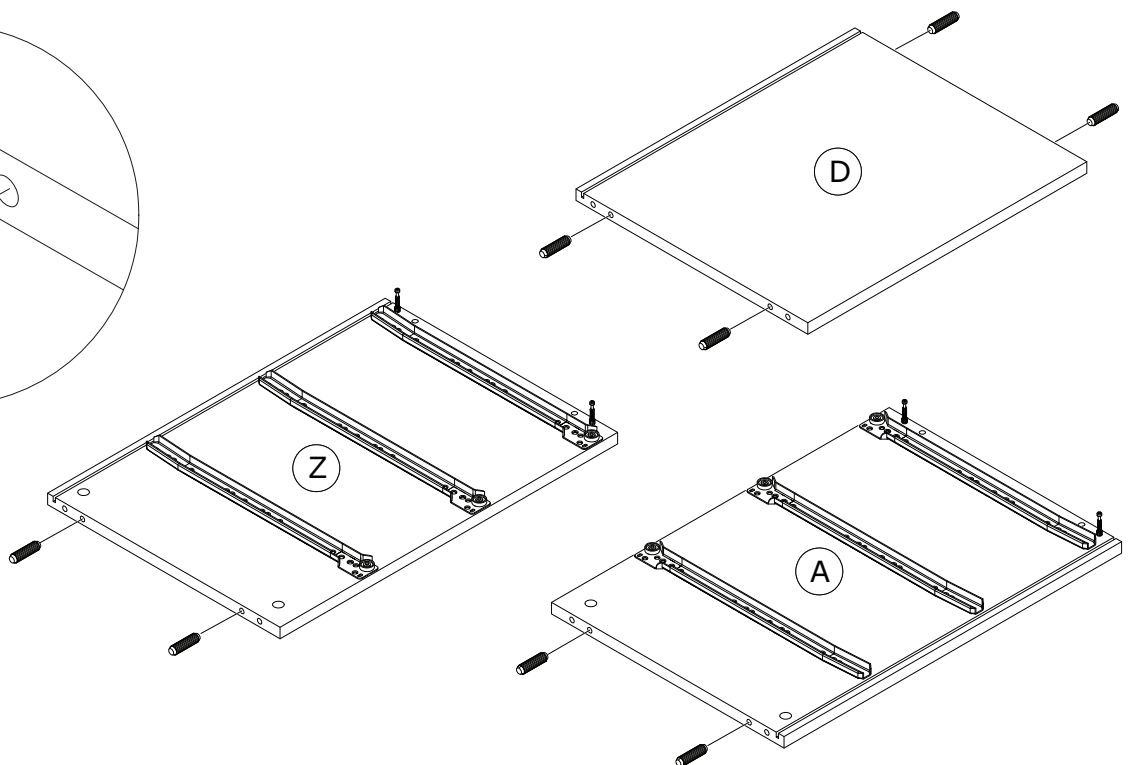
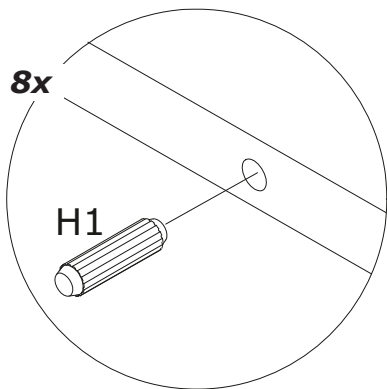


5

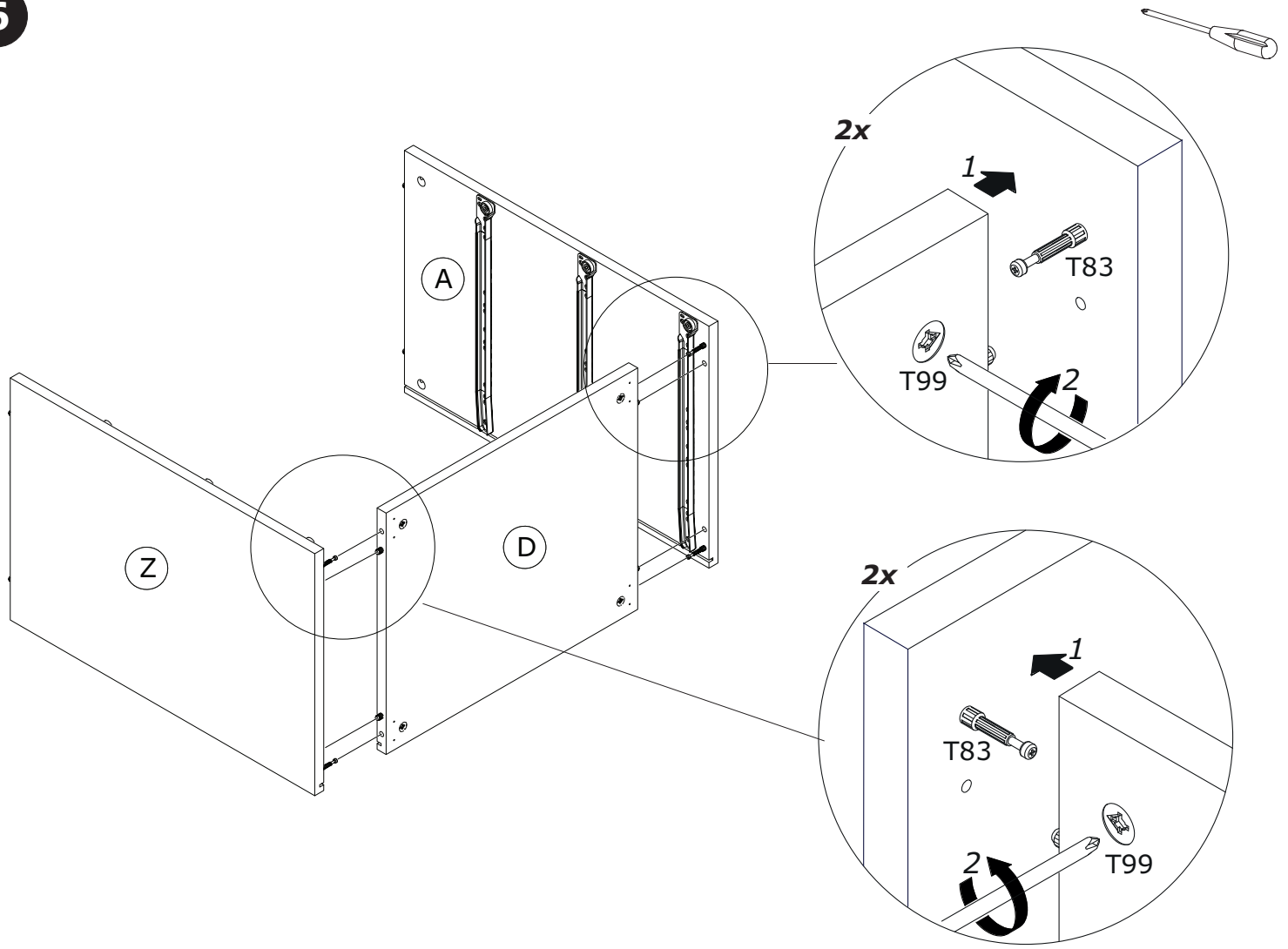


8x

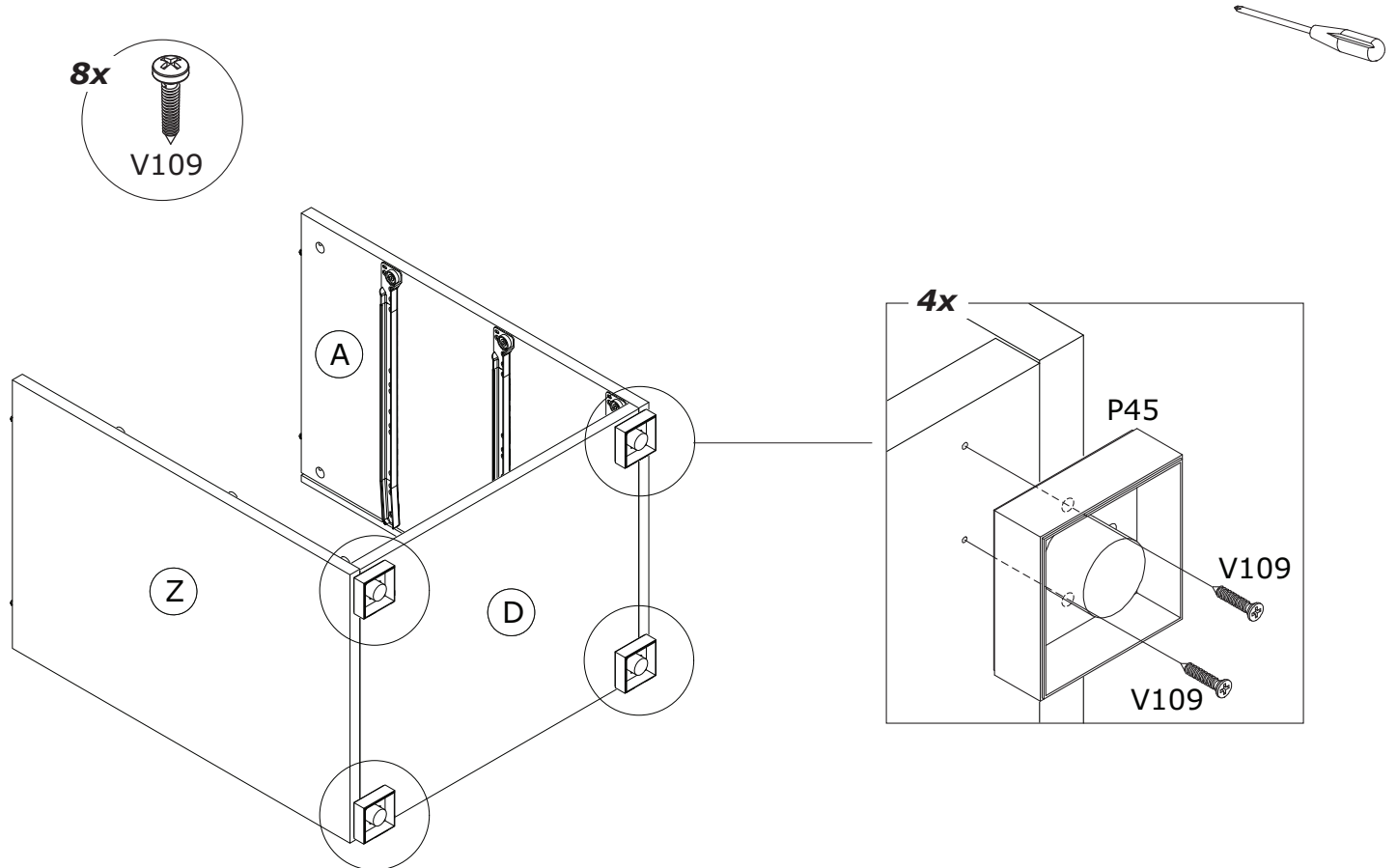
H1



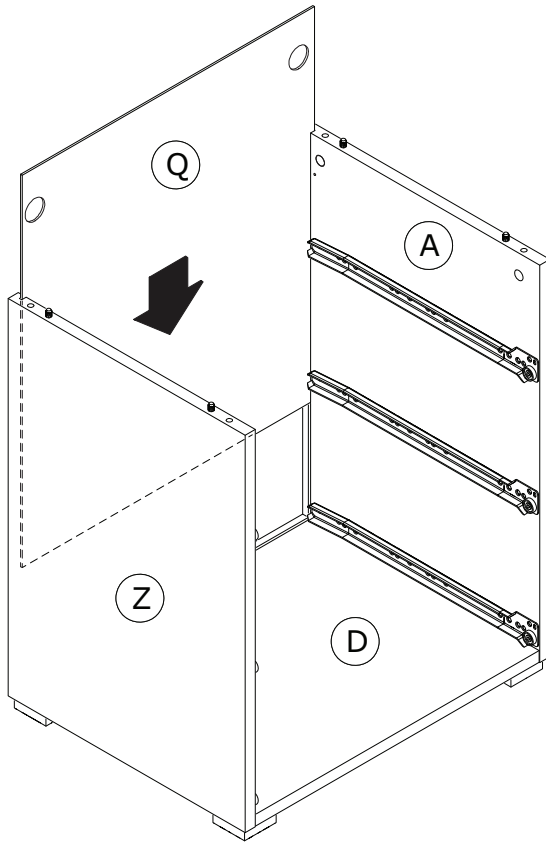
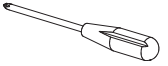
6



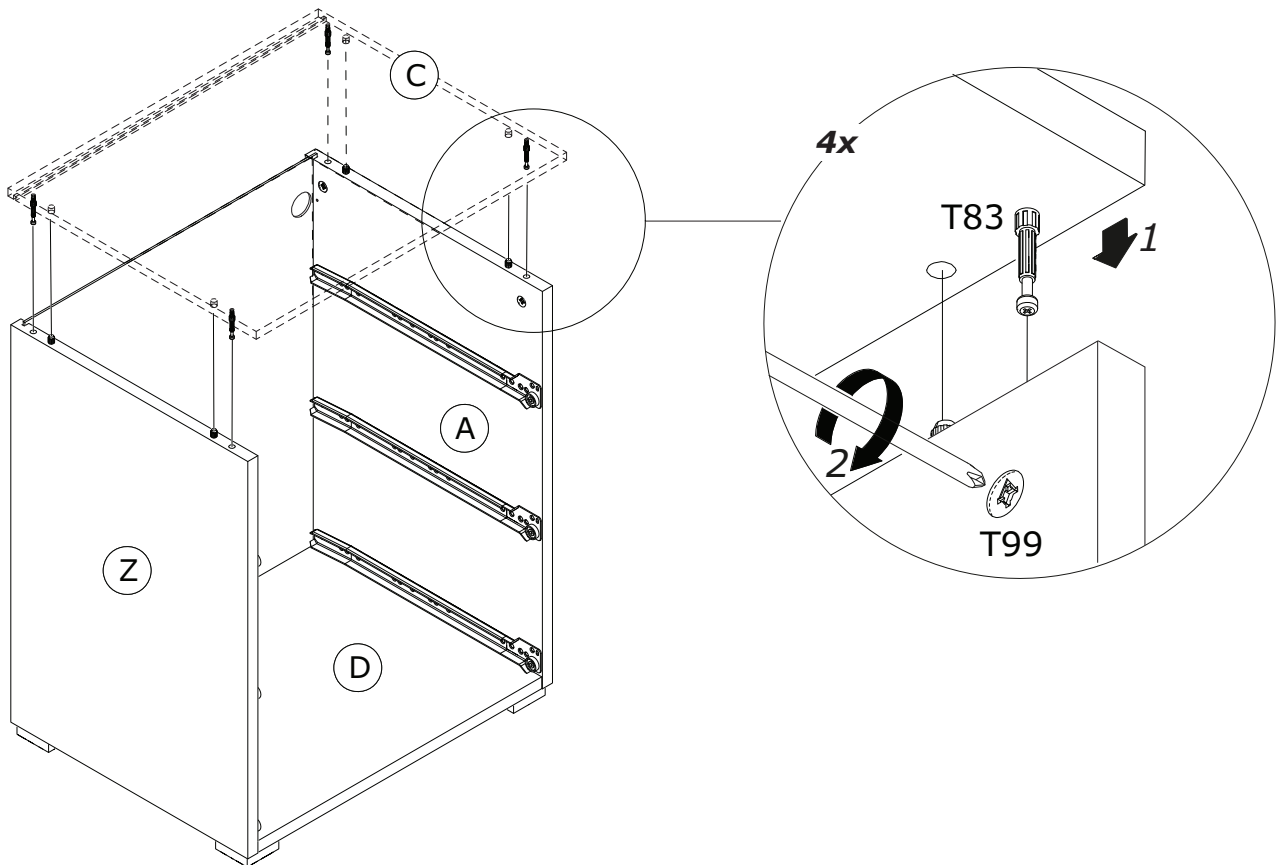
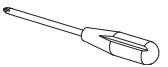
7



8

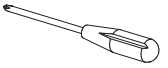
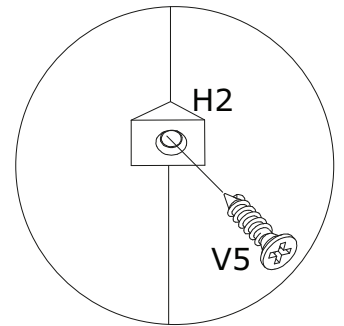
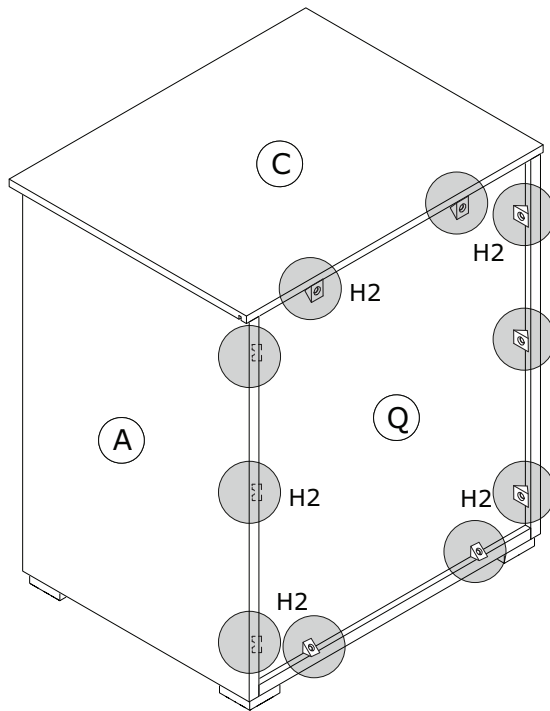
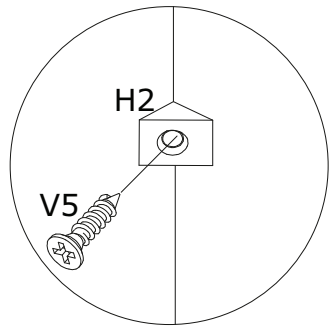


9



10

10x



10

12x

